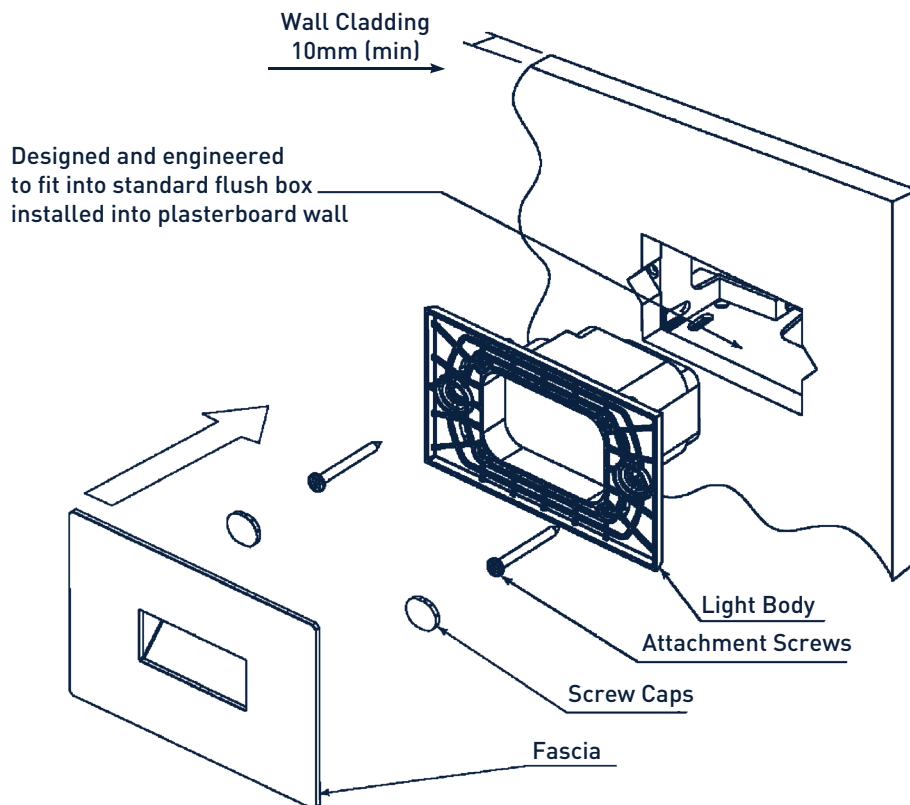
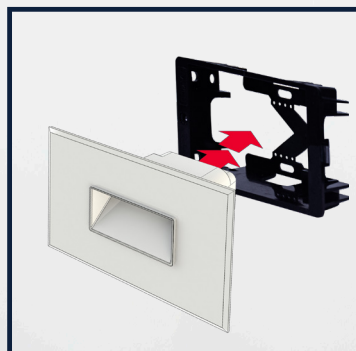


## INTRODUCING THE DIAZ

### STEP LIGHT



#### Key Features:



Fits into standard flush boxes, saving time at installation.





Matches all standard Fusion and Urban switchgear.

Look out for the unique  
**Eco-friendly** molded fibre packaging  
with **NO** paper waste!



Code	Type	Power	Lumen Output	Colour Temp	Fascia Size	Trade Price (\$)
VST1	White Gloss	3W	80lm	3000k	116 x 78mm	110.00
VST1B	Black Metal	3W	80lm	3000k	116 x 78mm	120.00
VST1S	Silver Metal	3W	80lm	3000k	116 x 78mm	120.00

### Christchurch Office

388-396 Tuam Street, Phillipstown, Christchurch 8011  
PO Box 9022, Tower Junction, Christchurch 8149  
P (+64) 3 379 9283 F (+64) 3 379 6838  
E sales@vynco.co.nz

### Auckland Office

9 Levene Place, Mt Wellington, Auckland 1061  
PO Box 12 249, Penrose, Auckland 1642  
P (+64) 9 525 6051 F (+64) 9 525 5799  
E sales@vynco.co.nz