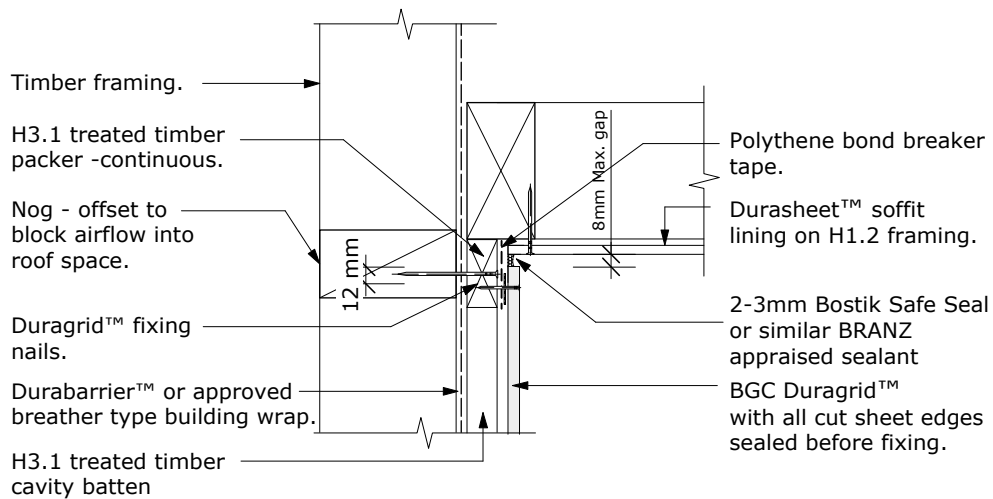


**Cavity Batten Note:**

Refer to cavity batten layout for batten sizes, types, spacings & fixings.



PROFILE **BGC Duragrid™**

DETAIL **Soffit Detail**

DATE **Nov 2011**

SCALE **1:5 @ A4**

DETAIL NO. **D 17**