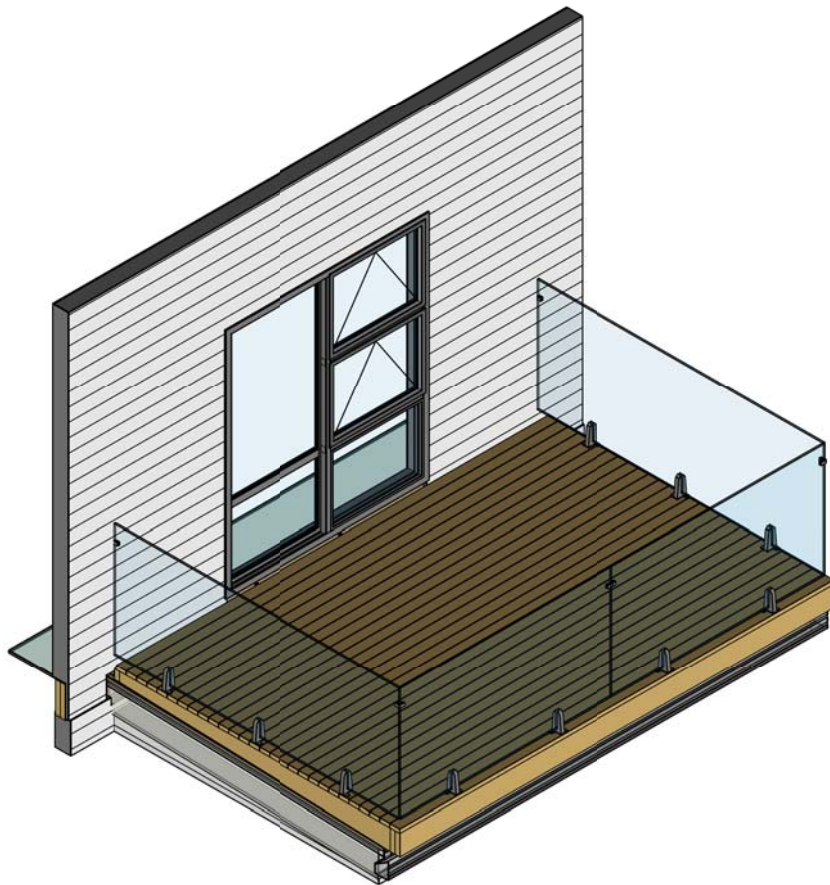


DFT00	Sheet List	23/7/18
DFT01	Joist Hanger - JV JH90SS	23/7/18
DFT10	Plan View	23/7/18
DFT11	Framing Plan	23/7/18
DFT12	Pedestal Layout	23/7/18
DFT20	Section A-A	23/7/18
DFT21	Section B-B	23/7/18
DFT30a1	Glass Vice Deck Edge Detail Glass Vice	23/7/18
DFT30a2	Glass Vice Deck Edge Detail Glass Vice	23/7/18
DFT30b	Glass Vice ClearLine Deck Edge Detail Clearline	23/7/18
DFT30c	Southern Lite Deck Edge Detail	23/7/18
DFT31	Deck Connection Detail	23/7/18
DFT32	Deck Connection Detail	23/7/18
DFT33	Deck Connection Detail	23/7/18
DFT34	Deck Connection Detail	23/7/18
DFT35a1	Side Edge Detail Glass Vice	23/7/18
DFT35a2	Side Edge Detail Glass Vice	23/7/18
DFT35b	Side Edge Detail Clearline	23/7/18
DFT35c	Side Edge Detail Southern Lites	23/7/18
DFT36	Deck Framing - Exploded View	23/7/18



© 2018. The copyright of this document is the property of Glass Vice Limited and shall not be reproduced, copied, loaned or disposed of directly, or indirectly, nor used for any purpose other than that for which it is specifically furnished without prior consent. All dimensions to be checked on site. Details and construction to conform to the New Zealand Building Code.

glass_vice_deck_float_nib.rvt
All dimensions in millimetres



Glass Vice®

Deck Overlay 100mm to 145mm Raked Joists
With 250mm Maximum Overhang
Sheet List

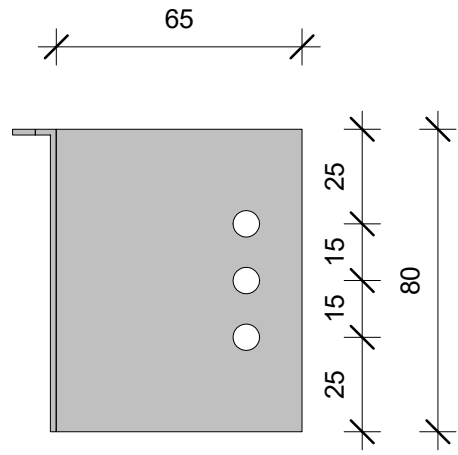
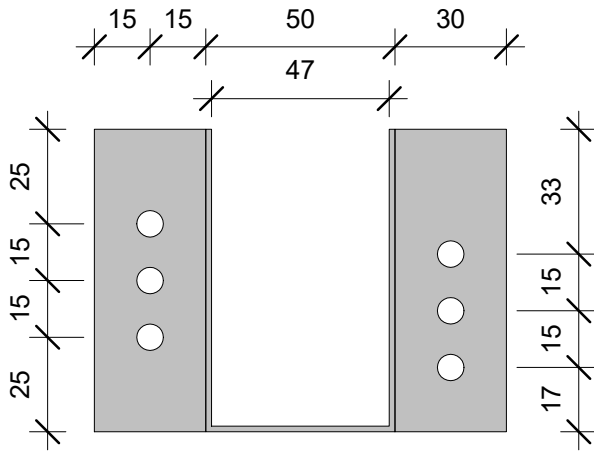
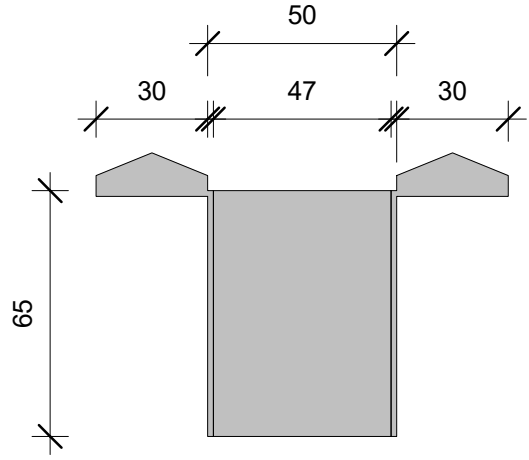
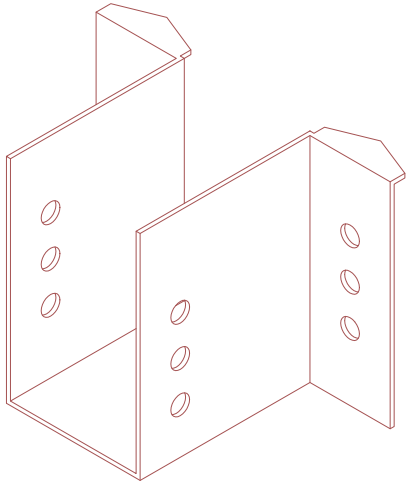
Date: 23/7/18
Scale:

Version 5

Quick Code:

www.glassvice.com
Phone +64 9 414 6565
info@glassvice.com

DFT00



© 2018. The copyright of this document is the property of Glass Vice Limited and shall not be reproduced, copied, loaned or disposed of directly, or indirectly, nor used for any purpose other than that for which it is specifically furnished without prior consent. All dimensions to be checked on site. Details and construction to conform to the New Zealand Building Code.

glass_vice_deck_float_nib.rvt
All dimensions in millimetres



Glass Vice®
Deck Overlay 100mm to 145mm Raked Joists
With 250mm Maximum Overhang
Joist Hanger - JV JH90SS

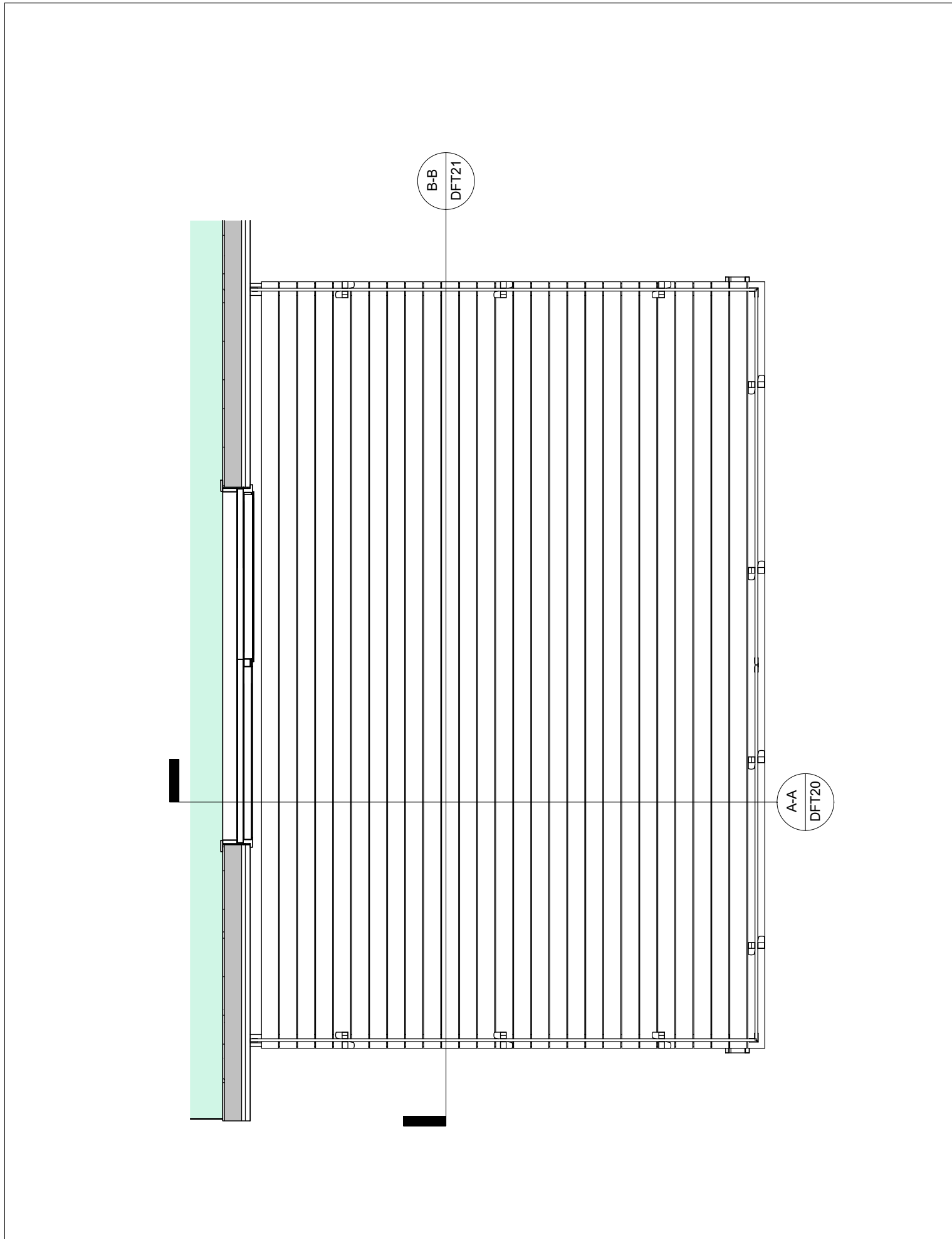
Date: 23/7/18
Scale: 1 : 2

Version 5

Quick Code:

www.glassvice.com
Phone +64 9 414 6565
info@glassvice.com

DFT01



© 2018. The copyright of this document is the property of Glass Vice Limited and shall not be reproduced, copied, loaned or disposed of directly, or indirectly, nor used for any purpose other than that for which it is specifically furnished without prior consent. All dimensions to be checked on site. Details and construction to conform to the New Zealand Building Code. glass_vice_deck_float_nib.rvt
All dimensions in millimetres

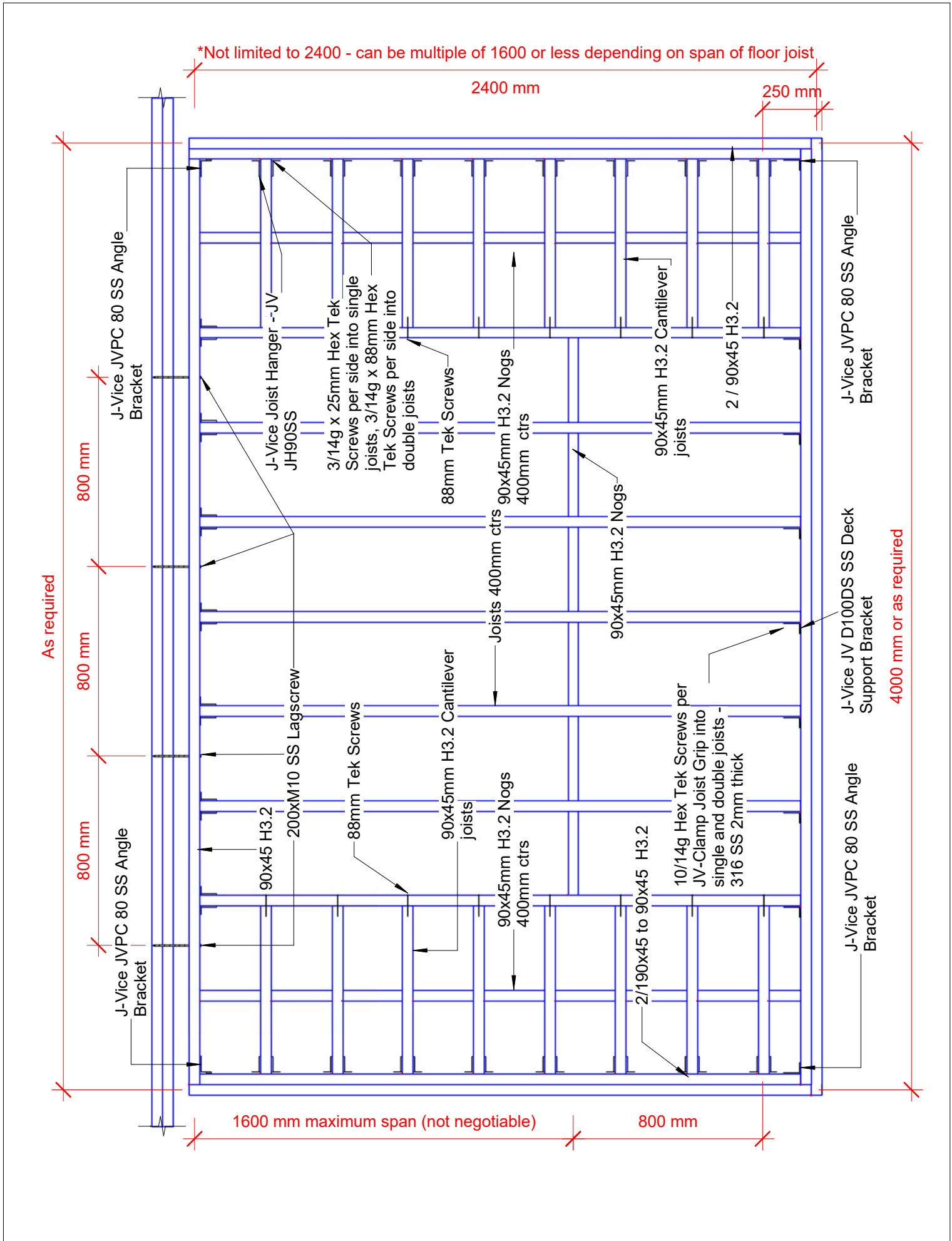


Glass Vice®
 Deck Overlay 100mm to 145mm Raked Joists
 With 250mm Maximum Overhang
 Plan View

Date: 23/7/18
 Scale: 1 : 25
 Version 5
 Quick Code:

www.glassvice.com
 Phone +64 9 414 6565
 info@glassvice.com

DFT10



© 2018. The copyright of this document is the property of Glass Vice Limited and shall not be reproduced, copied, loaned or disposed of directly, or indirectly, nor used for any purpose other than that for which it is specifically furnished without prior consent. All dimensions to be checked on site. Details and construction to conform to the New Zealand Building Code.

glass_vice_deck_float_nib.rvt
All dimensions in millimetres

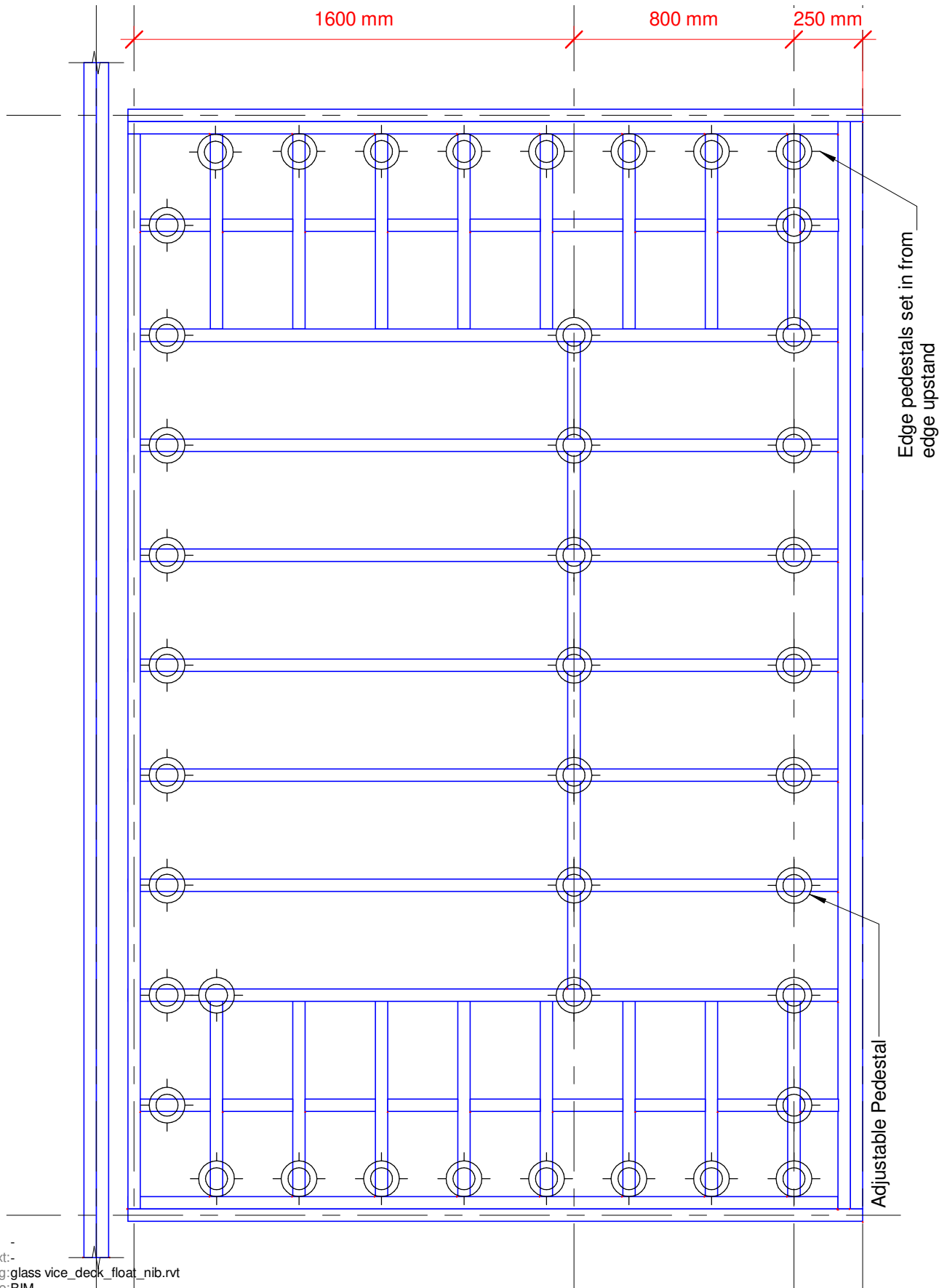


Glass Vice®
Deck Overlay 100mm to 145mm Raked Joists
With 250mm Maximum Overhang
Framing Plan

Date: 23/7/18
Scale: 1 : 20
Version 5
Quick Code:

www.glassvice.com
Phone +64 9 414 6565
info@glassvice.com

DFT11



Context:-
 Engineering: glass vice_deck_float_nib.rvt
 File Name: BIM
 Format: Deck Overlay 100mm to 145mm Raked Joists
 Product: With 250mm Maximum Overhang
 Sheet Size: A4 Port
 Sheet Title: Glass Vice®
 View Projection:-
 View Type:-

© 2018. The copyright of this document is the property of Glass Vice Limited and shall not be reproduced, copied, loaned or disposed of directly, or indirectly, nor used for any purpose other than that for which it is specifically furnished without prior consent. All dimensions to be checked on site. Details and construction to conform to the New Zealand Building Code.

glass vice_deck_float_nib.rvt
 All dimensions in millimetres

**GLASS
VICE®**

Glass Vice®
 Deck Overlay 100mm to 145mm Raked Joists
 With 250mm Maximum Overhang
 Pedestal Layout

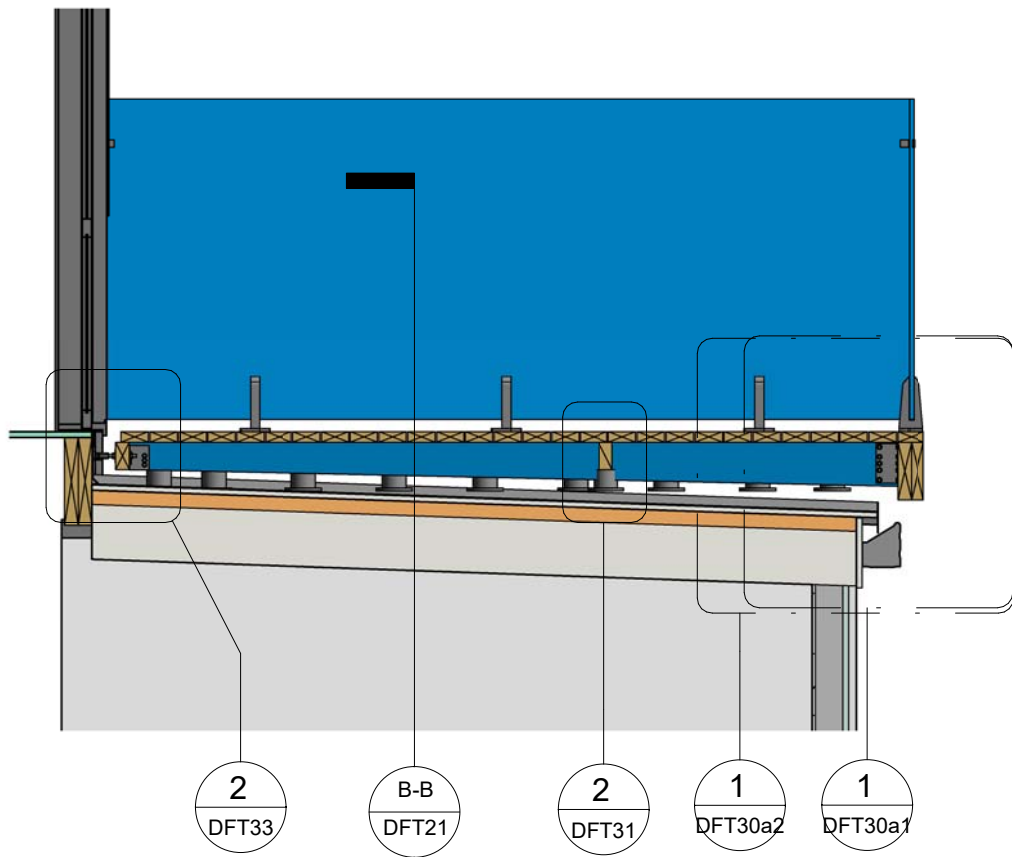
Date: 23/7/18
 Scale: 1 : 20

Version 5

Quick Code:

www.glassvice.com
 Phone +64 9 414 6565
 info@glassvice.com

DFT12



© 2018. The copyright of this document is the property of Glass Vice Limited and shall not be reproduced, copied, loaned or disposed of directly, or indirectly, nor used for any purpose other than that for which it is specifically furnished without prior consent. All dimensions to be checked on site. Details and construction to conform to the New Zealand Building Code.

glass_vice_deck_float_nib.rvt
All dimensions in millimetres



Glass Vice®
Deck Overlay 100mm to 145mm Raked Joists
With 250mm Maximum Overhang
Section A-A

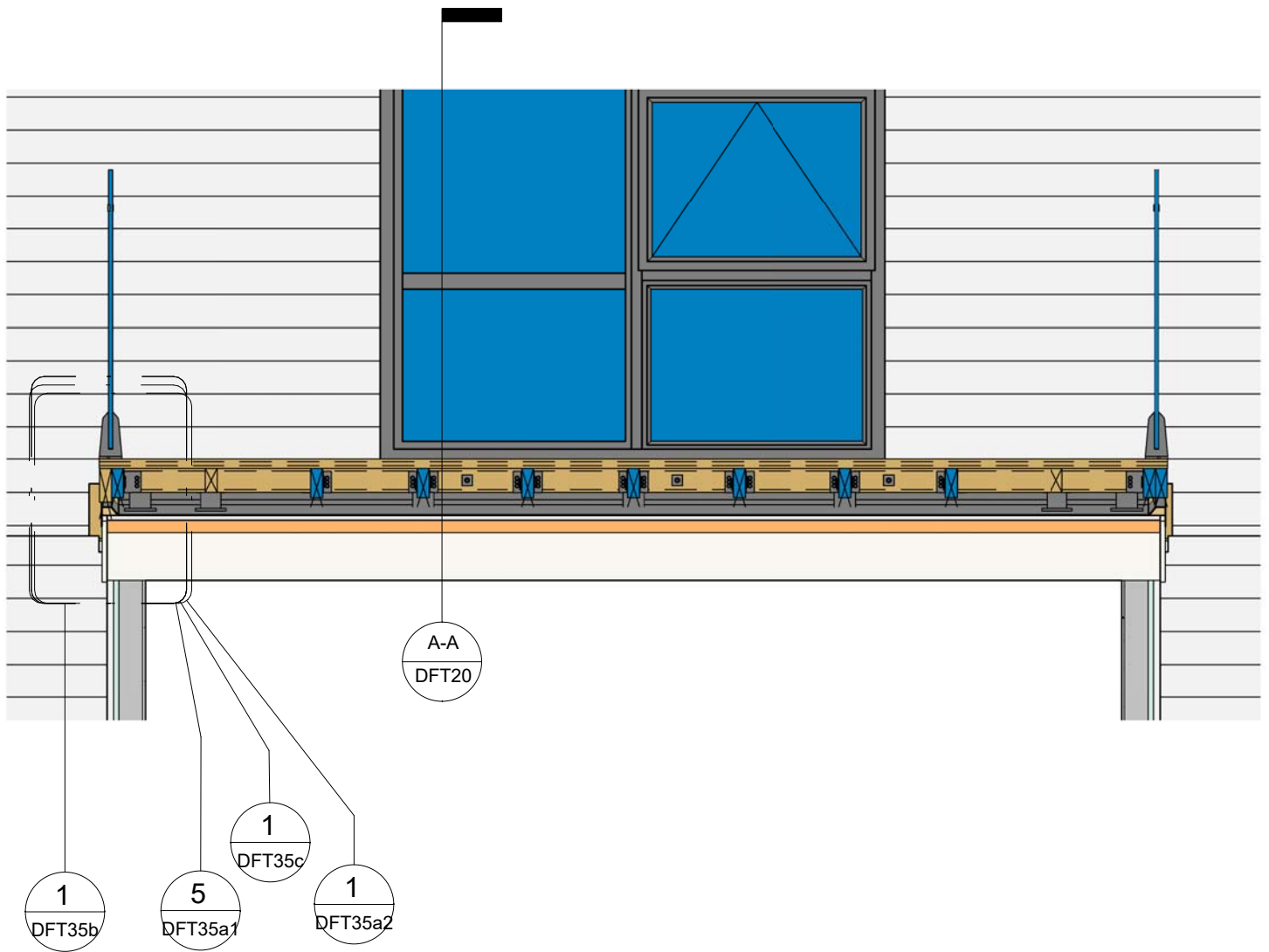
Date: 23/7/18
Scale: 1 : 25

Version 5

Quick Code:

www.glassvice.com
Phone +64 9 414 6565
info@glassvice.com

DFT20



© 2018. The copyright of this document is the property of Glass Vice Limited and shall not be reproduced, copied, loaned or disposed of directly, or indirectly, nor used for any purpose other than that for which it is specifically furnished without prior consent. All dimensions to be checked on site. Details and construction to conform to the New Zealand Building Code.

glass_vice_deck_float_nib.rvt
All dimensions in millimetres



Glass Vice®
Deck Overlay 100mm to 145mm Raked Joists
With 250mm Maximum Overhang
Section B-B

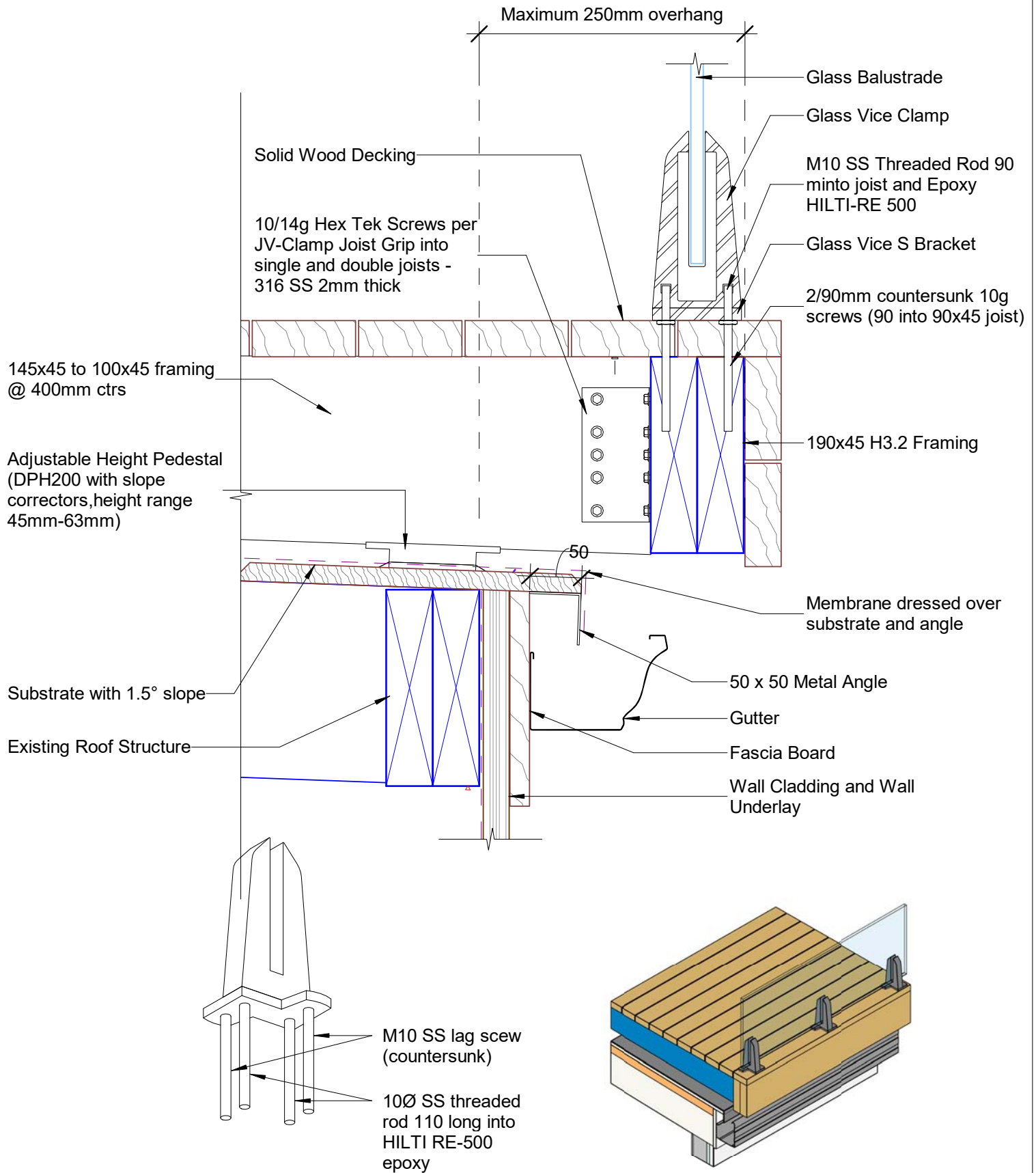
Date: 23/7/18
Scale: 1 : 25

Version 5

Quick Code:

www.glassvice.com
Phone +64 9 414 6565
info@glassvice.com

DFT21



© 2018. The copyright of this document is the property of Glass Vice Limited and shall not be reproduced, copied, loaned or disposed of directly, or indirectly, nor used for any purpose other than that for which it is specifically furnished without prior consent. All dimensions to be checked on site. Details and construction to conform to the New Zealand Building Code.

glass_vice_deck_float_nib.rvt
All dimensions in millimetres



Glass Vice®
Deck Overlay 100mm to 145mm Raked Joists
With 250mm Maximum Overhang
Glass Vice Deck Edge Detail Glass Vice

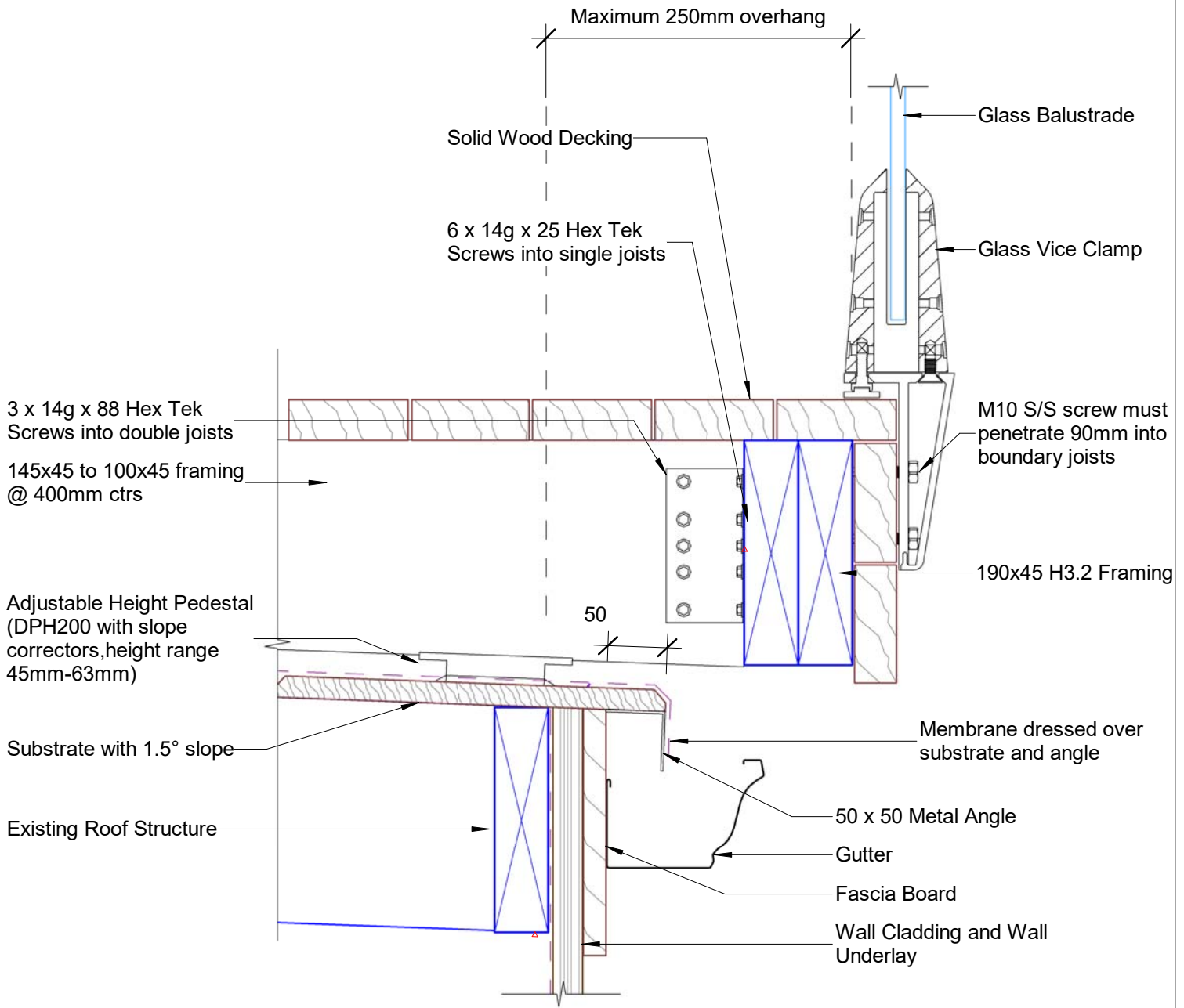
Date: 23/7/18
Scale: 1 : 5

www.glassvice.com
Phone +64 9 414 6565
info@glassvice.com

Version 5

Quick Code:

DFT30a1



© 2018. The copyright of this document is the property of Glass Vice Limited and shall not be reproduced, copied, loaned or disposed of directly, or indirectly, nor used for any purpose other than that for which it is specifically furnished without prior consent. All dimensions to be checked on site. Details and construction to conform to the New Zealand Building Code.

All dimensions in millimetres



Glass Vice®
 Deck Overlay 100mm to 145mm Raked Joists
 With 250mm Maximum Overhang
 Glass Vice Deck Edge Detail Glass Vice

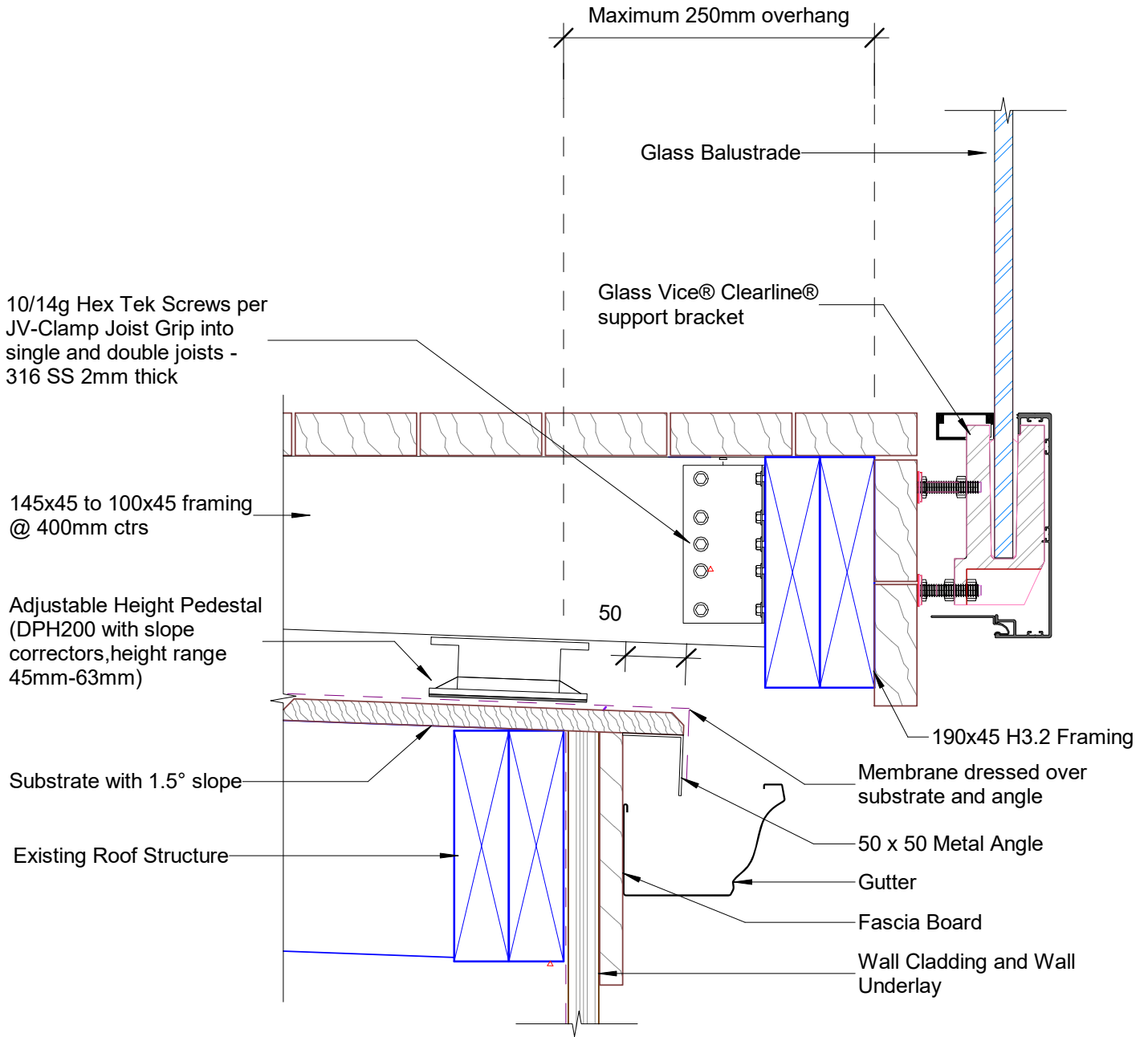
Date: 23/7/18
 Scale: 1 : 5

www.glassvice.com
 Phone +64 9 414 6565
 info@glassvice.com

Version 5

Quick Code:

DFT30a2



Note: Installation to be in accordance with E2/AS1

© 2018. The copyright of this document is the property of Glass Vice Limited and shall not be reproduced, copied, loaned or disposed of directly, or indirectly, nor used for any purpose other than that for which it is specifically furnished without prior consent. All dimensions to be checked on site. Details and construction to conform to the New Zealand Building Code.

All dimensions in millimetres



Glass Vice®
 Deck Overlay 100mm to 145mm Raked Joists
 With 250mm Maximum Overhang
 Glass Vice ClearLine Deck Edge Detail Clearline

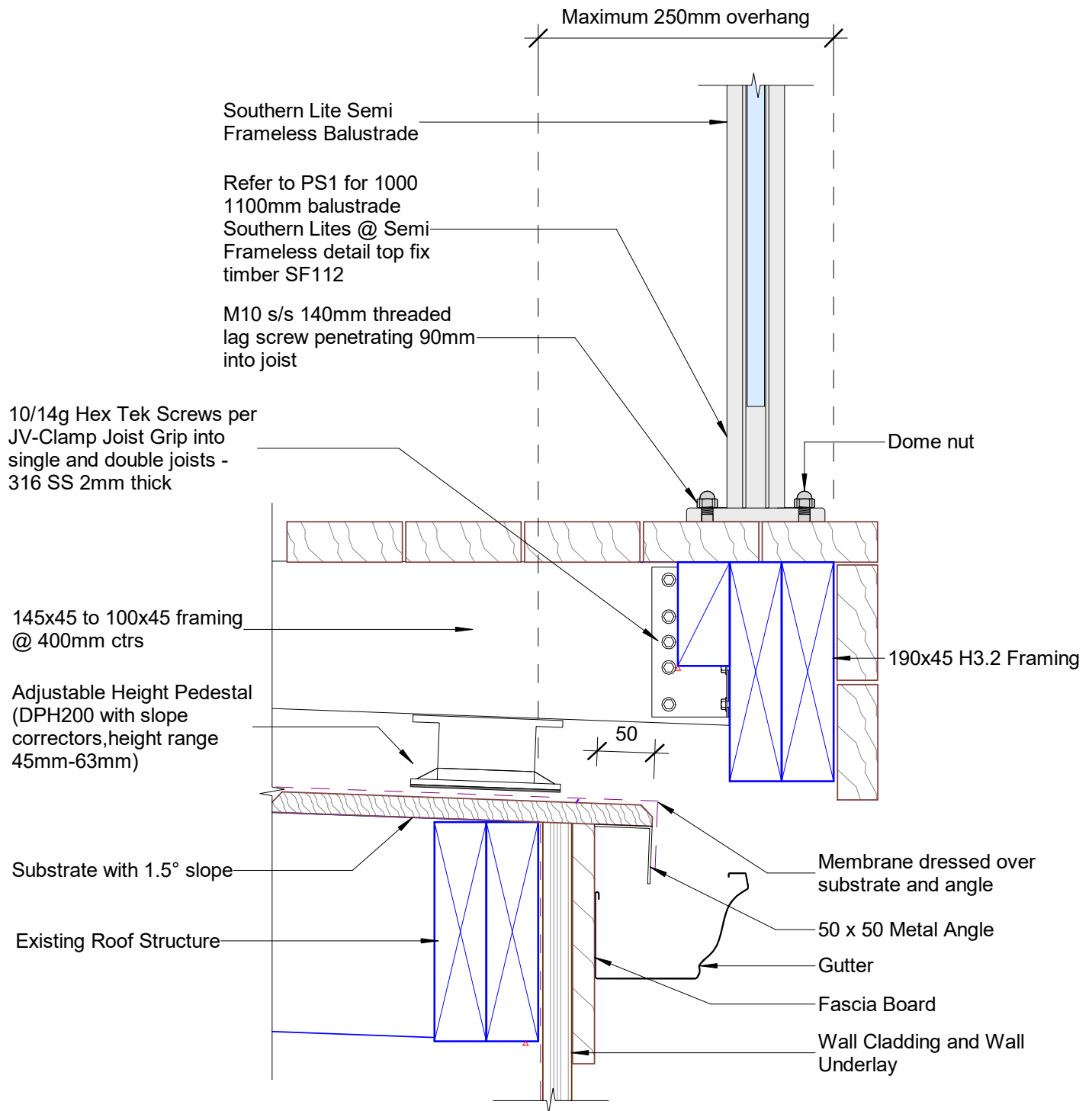
Date: 23/7/18
 Scale: 1 : 5

Version 5

Quick Code:

www.glassvice.com
 Phone +64 9 414 6565
 info@glassvice.com

DFT30b



Note: Installation to be in accordance with E2/AS1

© 2018. The copyright of this document is the property of Glass Vice Limited and shall not be reproduced, copied, loaned or disposed of directly, or indirectly, nor used for any purpose other than that for which it is specifically furnished without prior consent. All dimensions to be checked on site. Details and construction to conform to the New Zealand Building Code.

All dimensions in millimetres



Glass Vice®
 Deck Overlay 100mm to 145mm Raked Joists
 With 250mm Maximum Overhang
 Southern Lite Deck Edge Detail

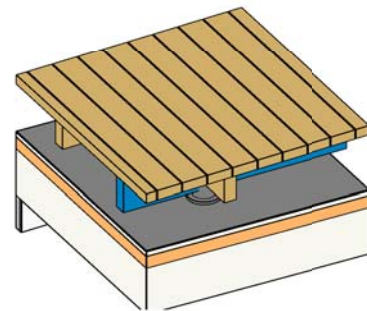
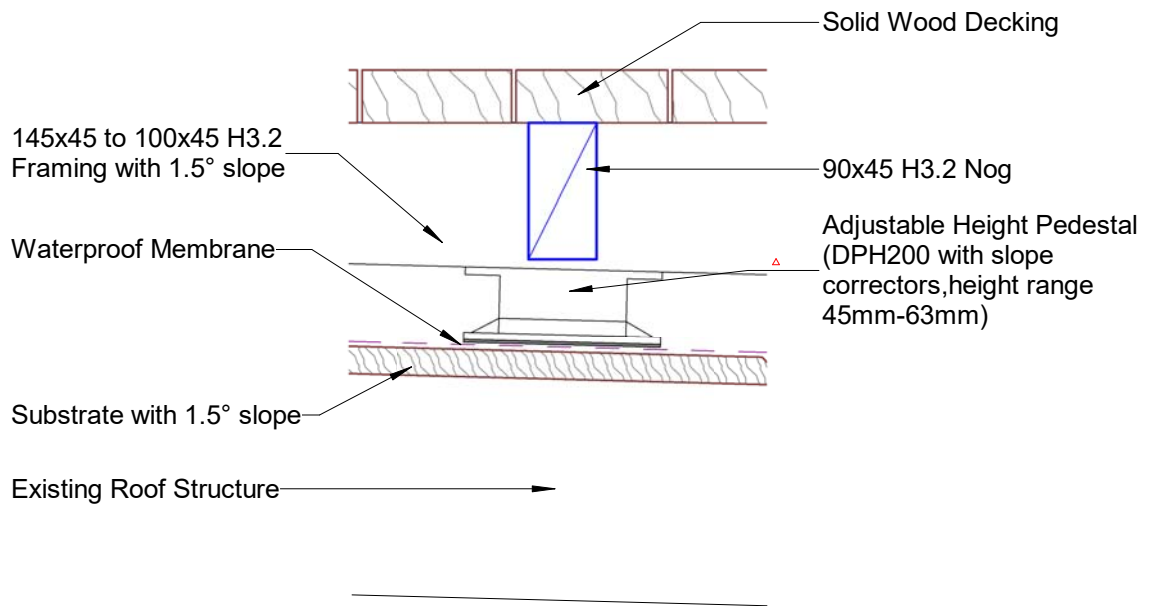
Date: 23/7/18
 Scale: 1 : 5

Version 5

Quick Code:

www.glassvice.com
 Phone +64 9 414 6565
 info@glassvice.com

DFT30c



© 2018. The copyright of this document is the property of Glass Vice Limited and shall not be reproduced, copied, loaned or disposed of directly, or indirectly, nor used for any purpose other than that for which it is specifically furnished without prior consent. All dimensions to be checked on site. Details and construction to conform to the New Zealand Building Code.

glass_vice_deck_float_nib.rvt
All dimensions in millimetres



Glass Vice®
 Deck Overlay 100mm to 145mm Raked Joists
 With 250mm Maximum Overhang
 Deck Connection Detail

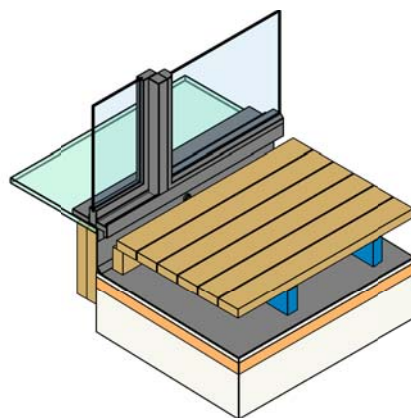
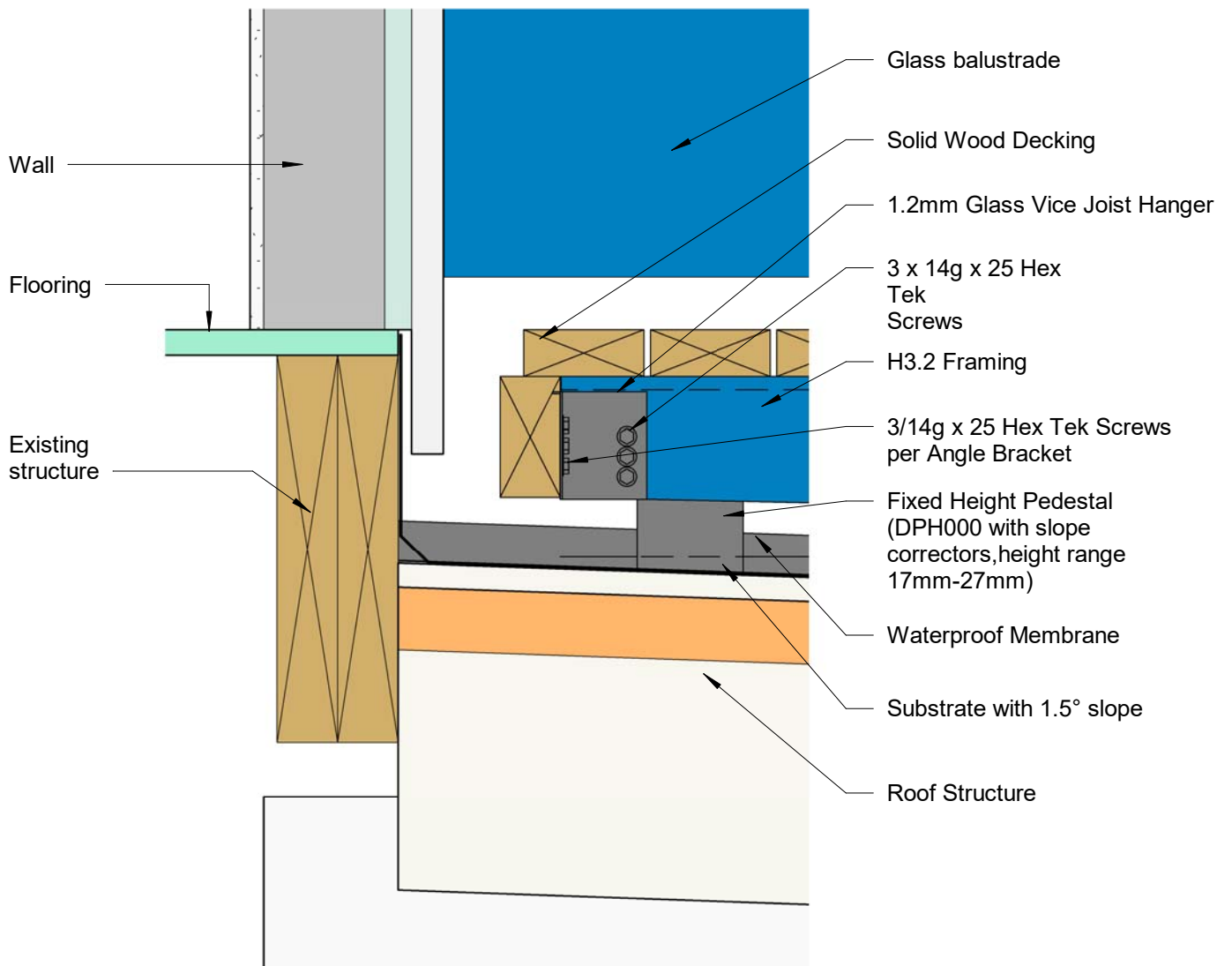
Date: 23/7/18
 Scale: 1 : 5

Version 5

Quick Code:

www.glassvice.com
 Phone +64 9 414 6565
info@glassvice.com

DFT31



© 2018. The copyright of this document is the property of Glass Vice Limited and shall not be reproduced, copied, loaned or disposed of directly, or indirectly, nor used for any purpose other than that for which it is specifically furnished without prior consent. All dimensions to be checked on site. Details and construction to conform to the New Zealand Building Code.

glass_vice_deck_float_nib.rvt
All dimensions in millimetres



Glass Vice®
Deck Overlay 100mm to 145mm Raked Joists
With 250mm Maximum Overhang
Deck Connection Detail

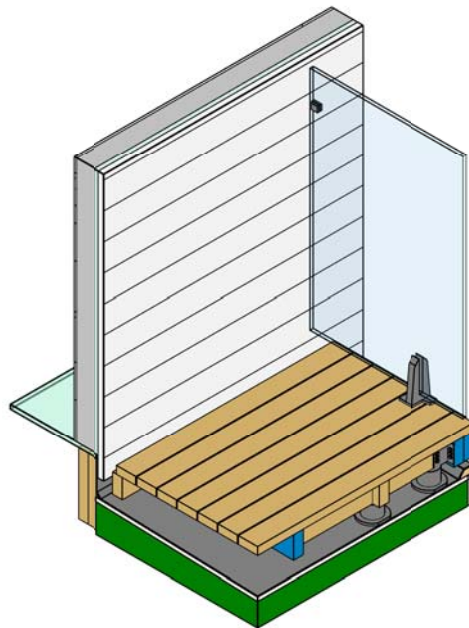
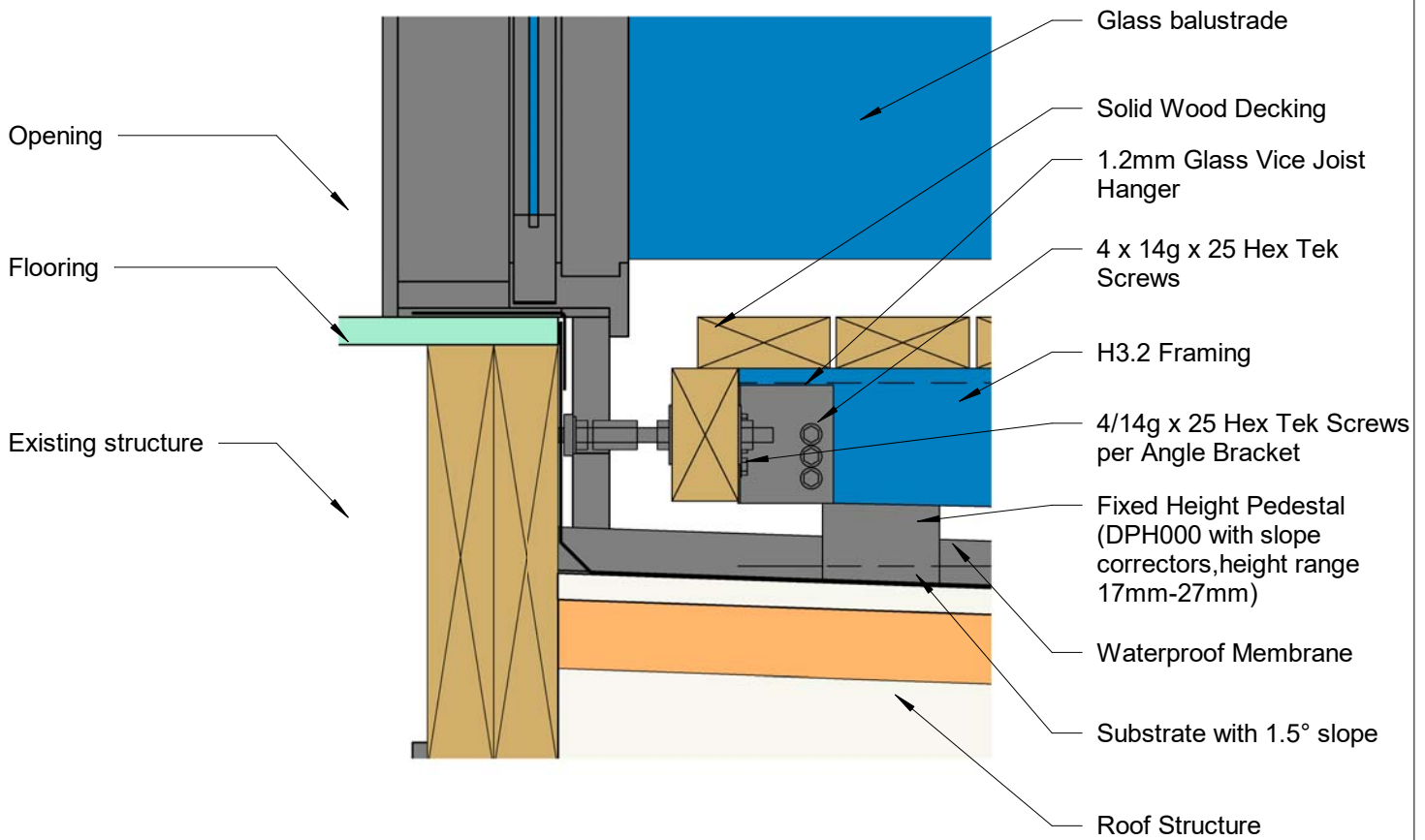
Date: 23/7/18
Scale: 1 : 5

Version 5

Quick Code:

www.glassvice.com
Phone +64 9 414 6565
info@glassvice.com

DFT32



© 2018. The copyright of this document is the property of Glass Vice Limited and shall not be reproduced, copied, loaned or disposed of directly, or indirectly, nor used for any purpose other than that for which it is specifically furnished without prior consent. All dimensions to be checked on site. Details and construction to conform to the New Zealand Building Code.

glass_vice_deck_float_nib.rvt
All dimensions in millimetres

**GLASS
VICE**

Glass Vice®
Deck Overlay 100mm to 145mm Raked Joists
With 250mm Maximum Overhang
Deck Connection Detail

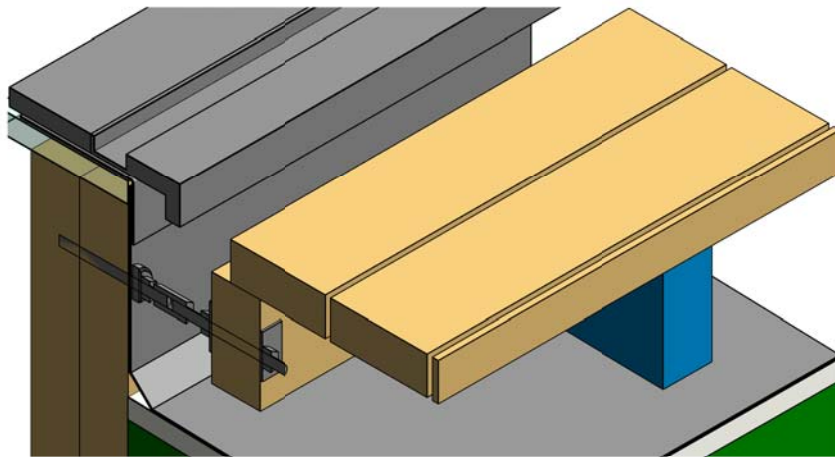
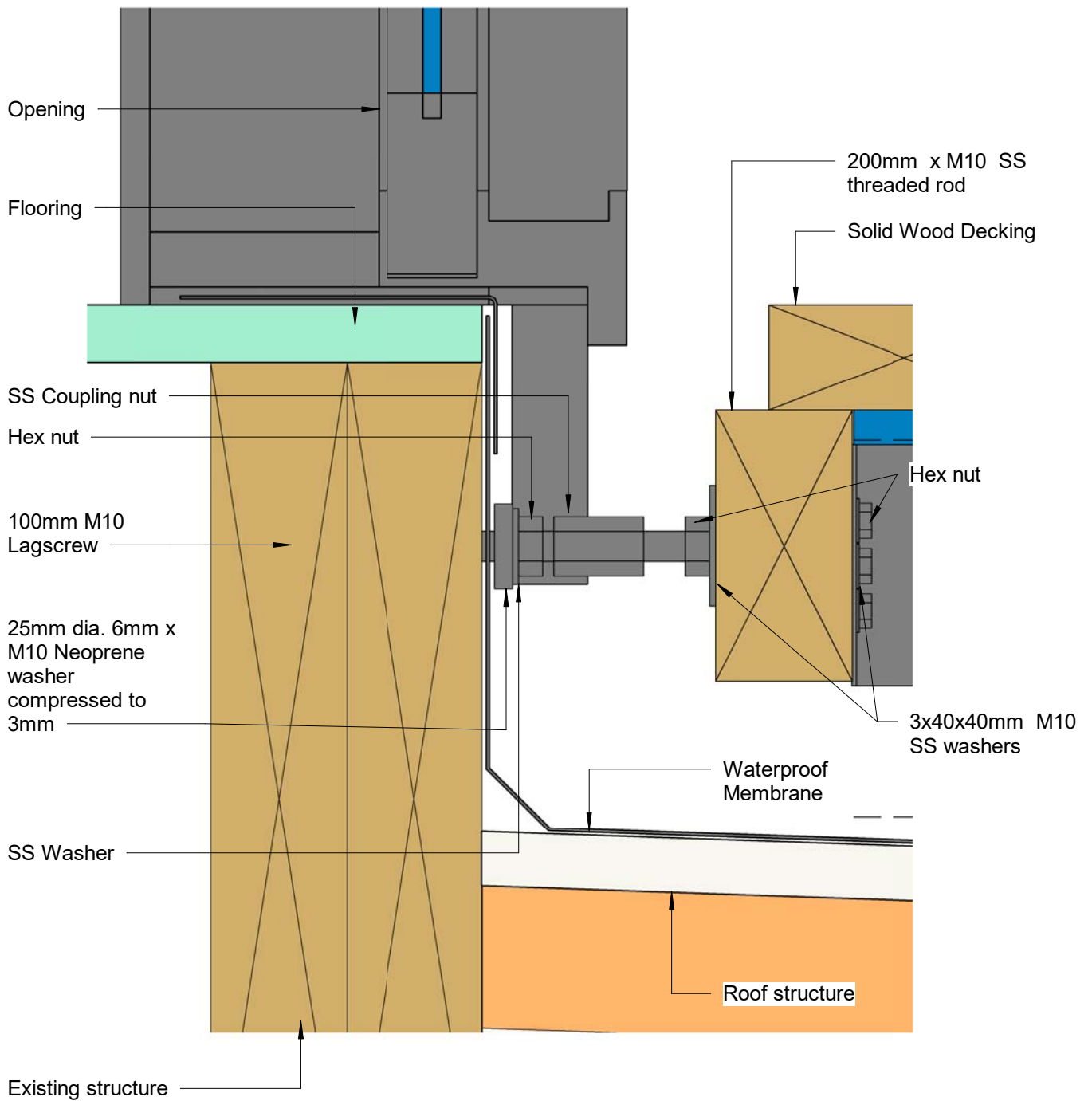
Date: 23/7/18
Scale: 1 : 5

Version 5

Quick Code:

www.glassvice.com
Phone +64 9 414 6565
info@glassvice.com

DFT33



© 2018. The copyright of this document is the property of Glass Vice Limited and shall not be reproduced, copied, loaned or disposed of directly, or indirectly, nor used for any purpose other than that for which it is specifically furnished without prior consent. All dimensions to be checked on site. Details and construction to conform to the New Zealand Building Code.

glass_vice_deck_float_nib.rvt
All dimensions in millimetres

**GLASS
VICE**

Glass Vice®
Deck Overlay 100mm to 145mm Raked Joists
With 250mm Maximum Overhang
Deck Connection Detail

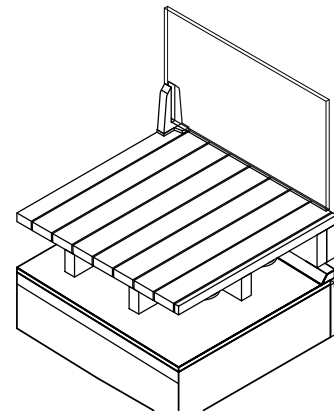
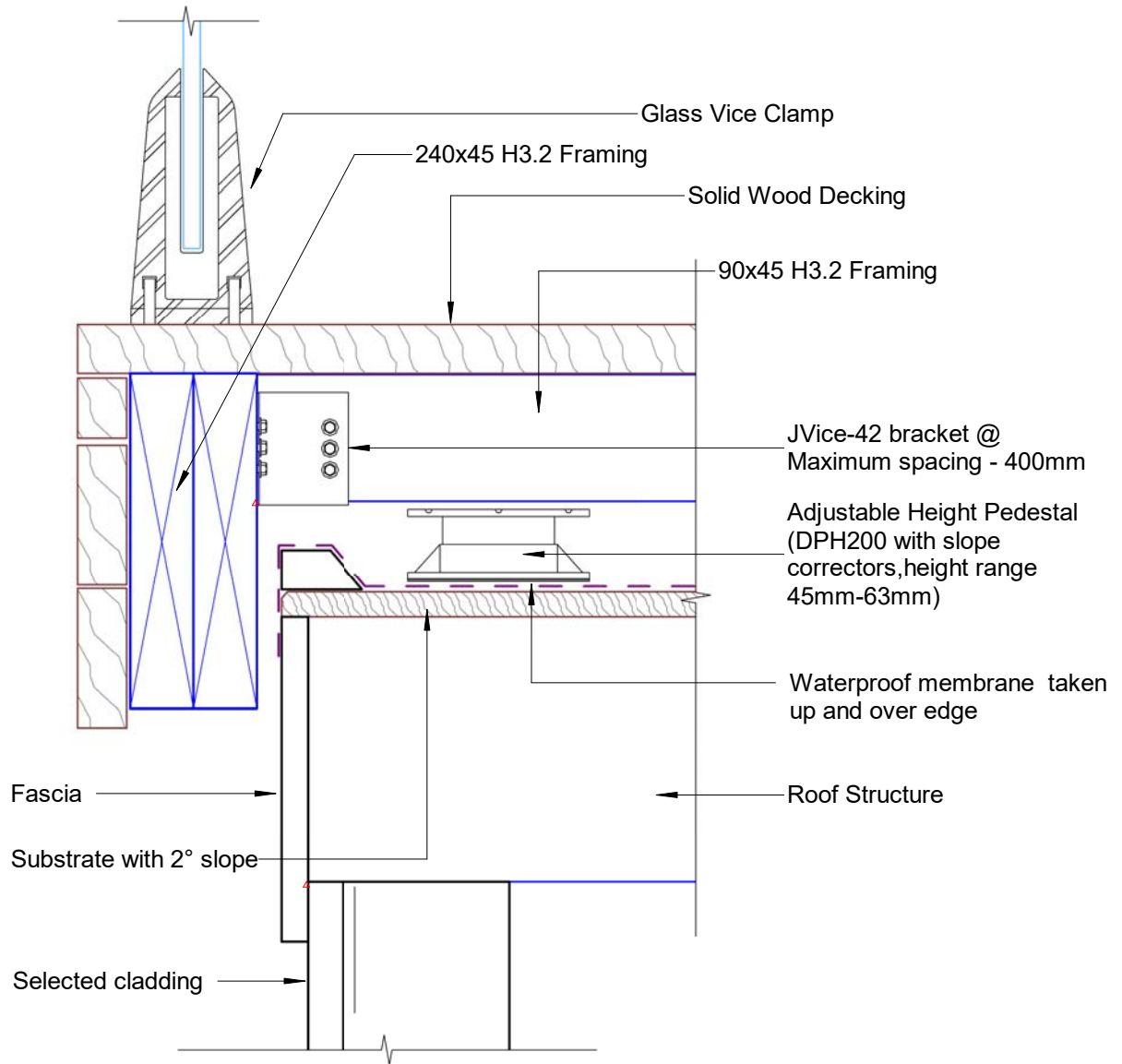
Date: 23/7/18
Scale: 1 : 2

Version 5

Quick Code:

www.glassvice.com
Phone +64 9 414 6565
info@glassvice.com

DFT34



© 2018. The copyright of this document is the property of Glass Vice Limited and shall not be reproduced, copied, loaned or disposed of directly, or indirectly, nor used for any purpose other than that for which it is specifically furnished without prior consent. All dimensions to be checked on site. Details and construction to conform to the New Zealand Building Code.

glass_vice_deck_float_nib.rvt
All dimensions in millimetres



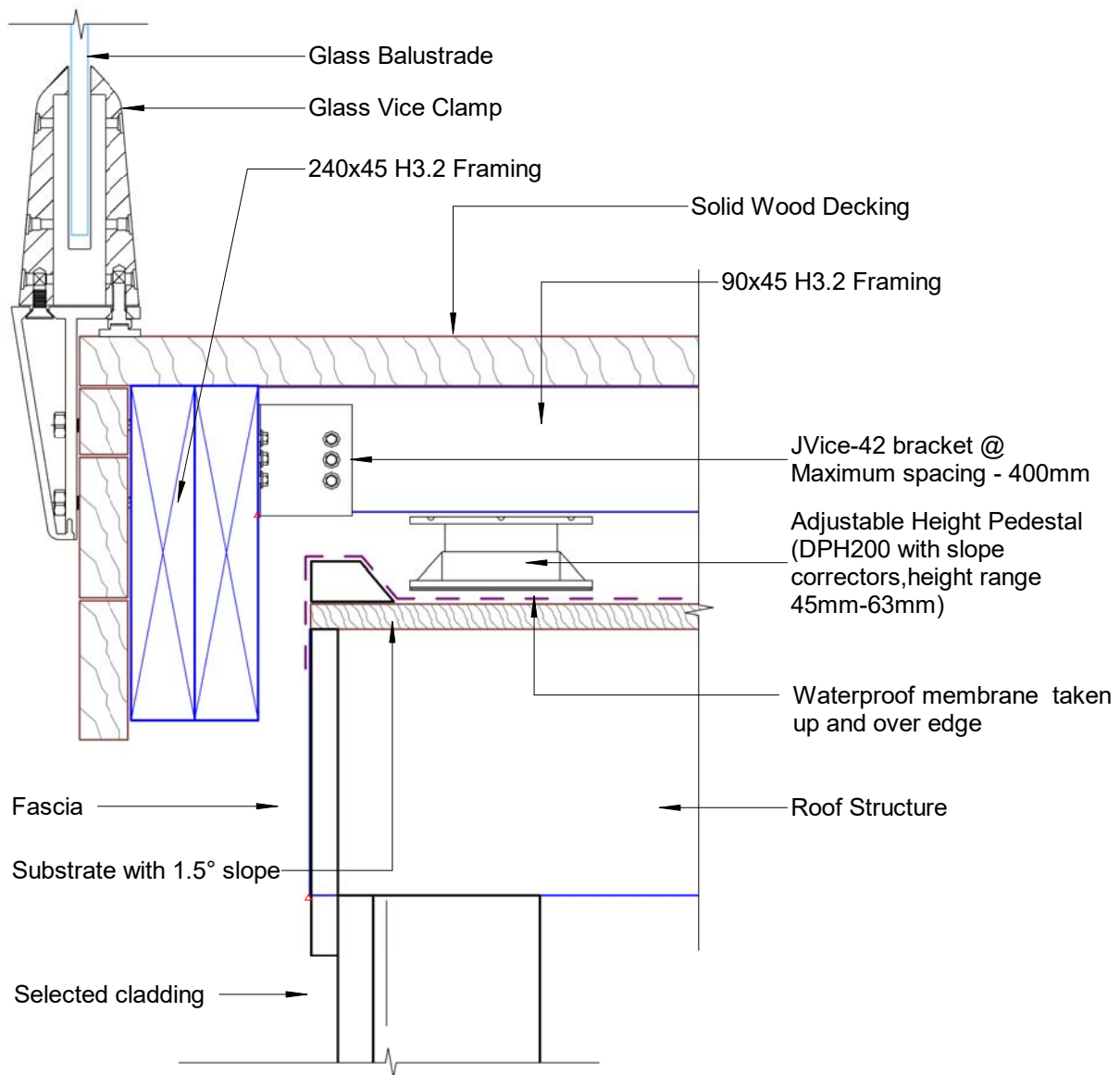
Glass Vice®
Deck Overlay 100mm to 145mm Raked Joists
With 250mm Maximum Overhang
Side Edge Detail Glass Vice

Date: 23/7/18
Scale: 1 : 5
Version 5

www.glassvice.com
Phone +64 9 414 6565
info@glassvice.com

Quick Code:

DFT35a1



© 2018. The copyright of this document is the property of Glass Vice Limited and shall not be reproduced, copied, loaned or disposed of directly, or indirectly, nor used for any purpose other than that for which it is specifically furnished without prior consent. All dimensions to be checked on site. Details and construction to conform to the New Zealand Building Code.

All dimensions in millimetres

**GLASS
VICE**

Glass Vice®

Deck Overlay 100mm to 145mm Raked Joists
 With 250mm Maximum Overhang
 Side Edge Detail Glass Vice

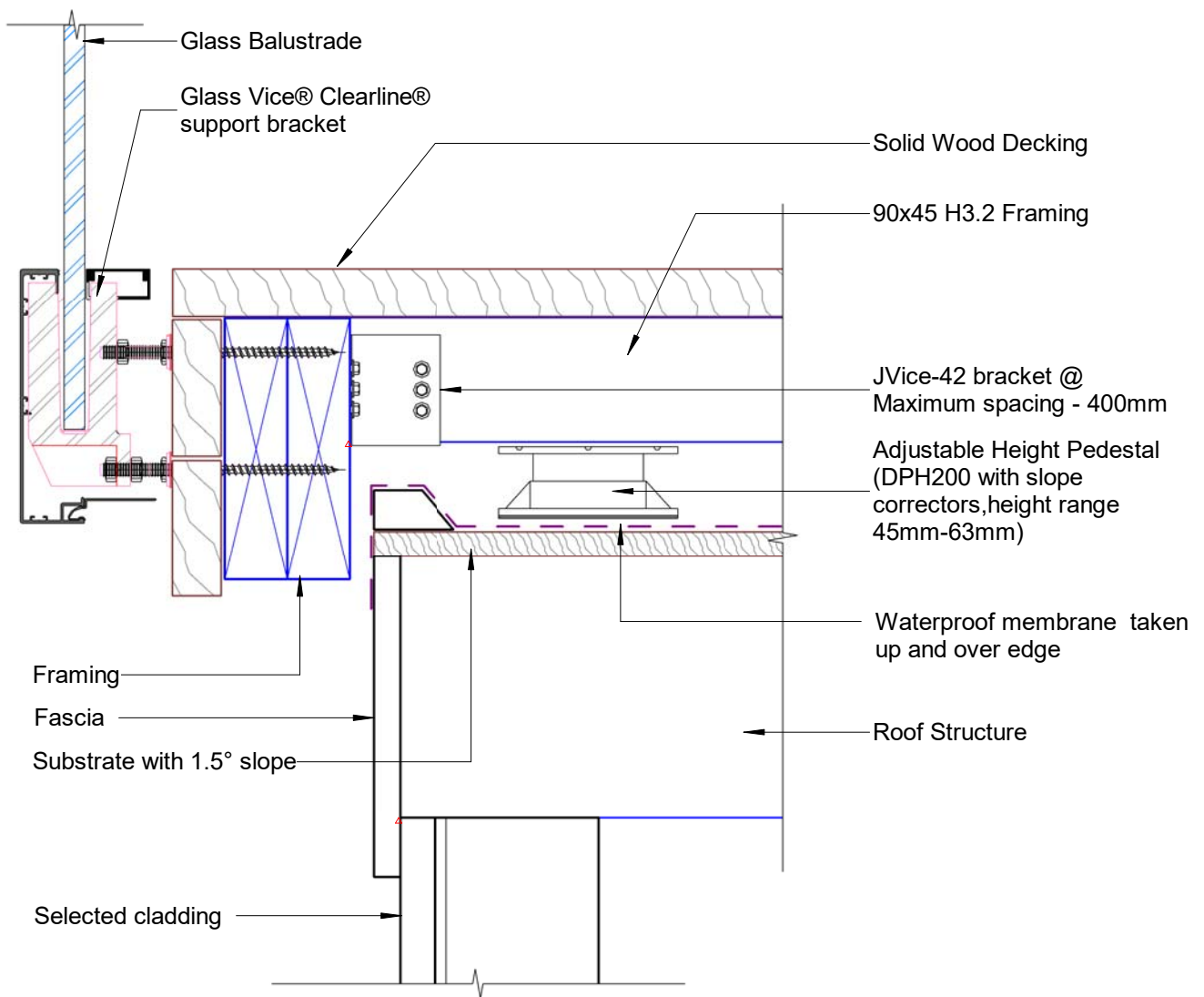
Date: 23/7/18
 Scale: 1 : 5

Version 5

Quick Code:

www.glassvice.com
 Phone +64 9 414 6565
 info@glassvice.com

DFT35a2



© 2018. The copyright of this document is the property of Glass Vice Limited and shall not be reproduced, copied, loaned or disposed of directly, or indirectly, nor used for any purpose other than that for which it is specifically furnished without prior consent. All dimensions to be checked on site. Details and construction to conform to the New Zealand Building Code.

All dimensions in millimetres



Glass Vice®
 Deck Overlay 100mm to 145mm Raked Joists
 With 250mm Maximum Overhang
 Side Edge Detail Clearline

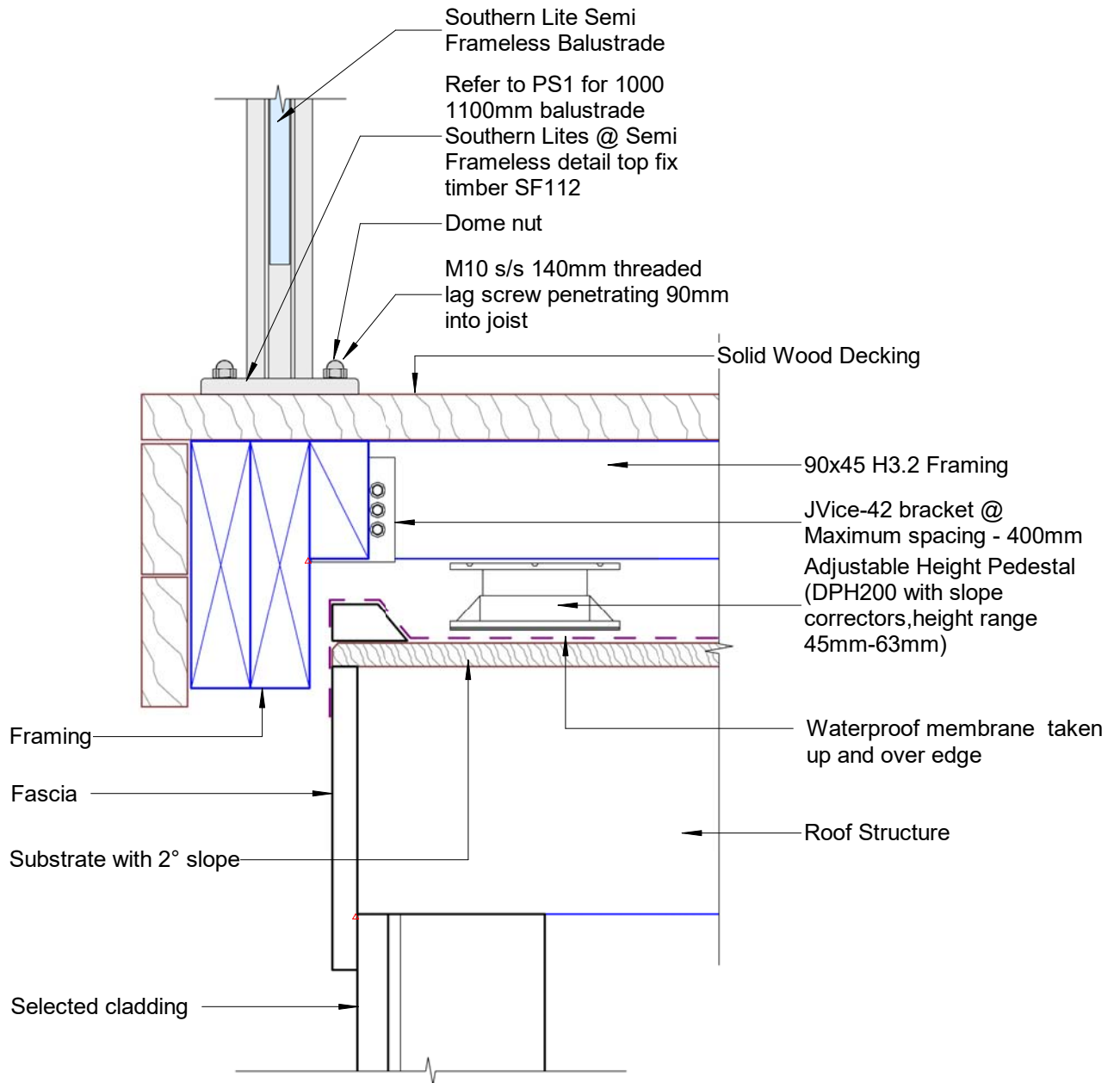
Date: 23/7/18
 Scale: 1 : 5

Version 5

Quick Code:

www.glassvice.com
 Phone +64 9 414 6565
 info@glassvice.com

DFT35b



© 2018. The copyright of this document is the property of Glass Vice Limited and shall not be reproduced, copied, loaned or disposed of directly, or indirectly, nor used for any purpose other than that for which it is specifically furnished without prior consent. All dimensions to be checked on site. Details and construction to conform to the New Zealand Building Code.

All dimensions in millimetres



Glass Vice®
 Deck Overlay 100mm to 145mm Raked Joists
 With 250mm Maximum Overhang
 Side Edge Detail Southern Lites

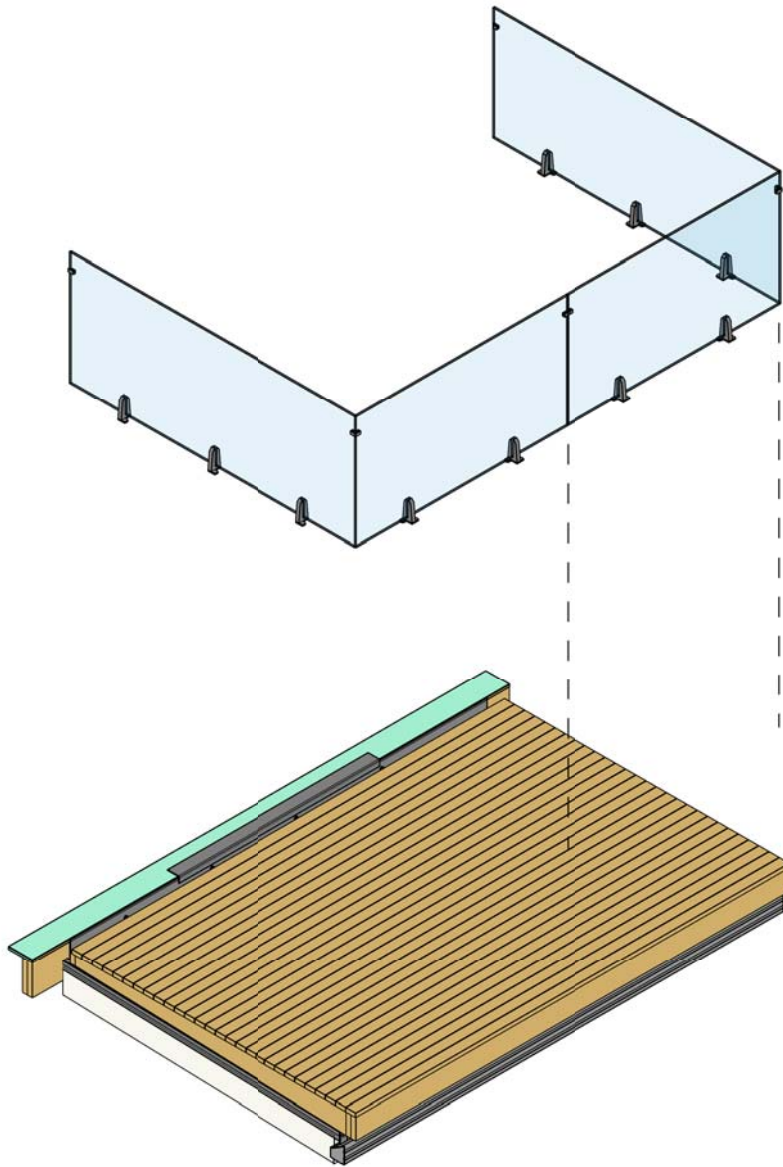
Date: 23/7/18
 Scale: 1 : 5

Version 5

Quick Code:

www.glassvice.com
 Phone +64 9 414 6565
 info@glassvice.com

DFT35c



© 2018. The copyright of this document is the property of Glass Vice Limited and shall not be reproduced, copied, loaned or disposed of directly, or indirectly, nor used for any purpose other than that for which it is specifically furnished without prior consent. All dimensions to be checked on site. Details and construction to conform to the New Zealand Building Code.

glass_vice_deck_float_nib.rvt
All dimensions in millimetres



Glass Vice®
Deck Overlay 100mm to 145mm Raked Joists
With 250mm Maximum Overhang
Deck Framing - Exploded View

Date: 23/7/18
Scale:

Version 5

Quick Code:

www.glassvice.com
Phone +64 9 414 6565
info@glassvice.com

DFT36