

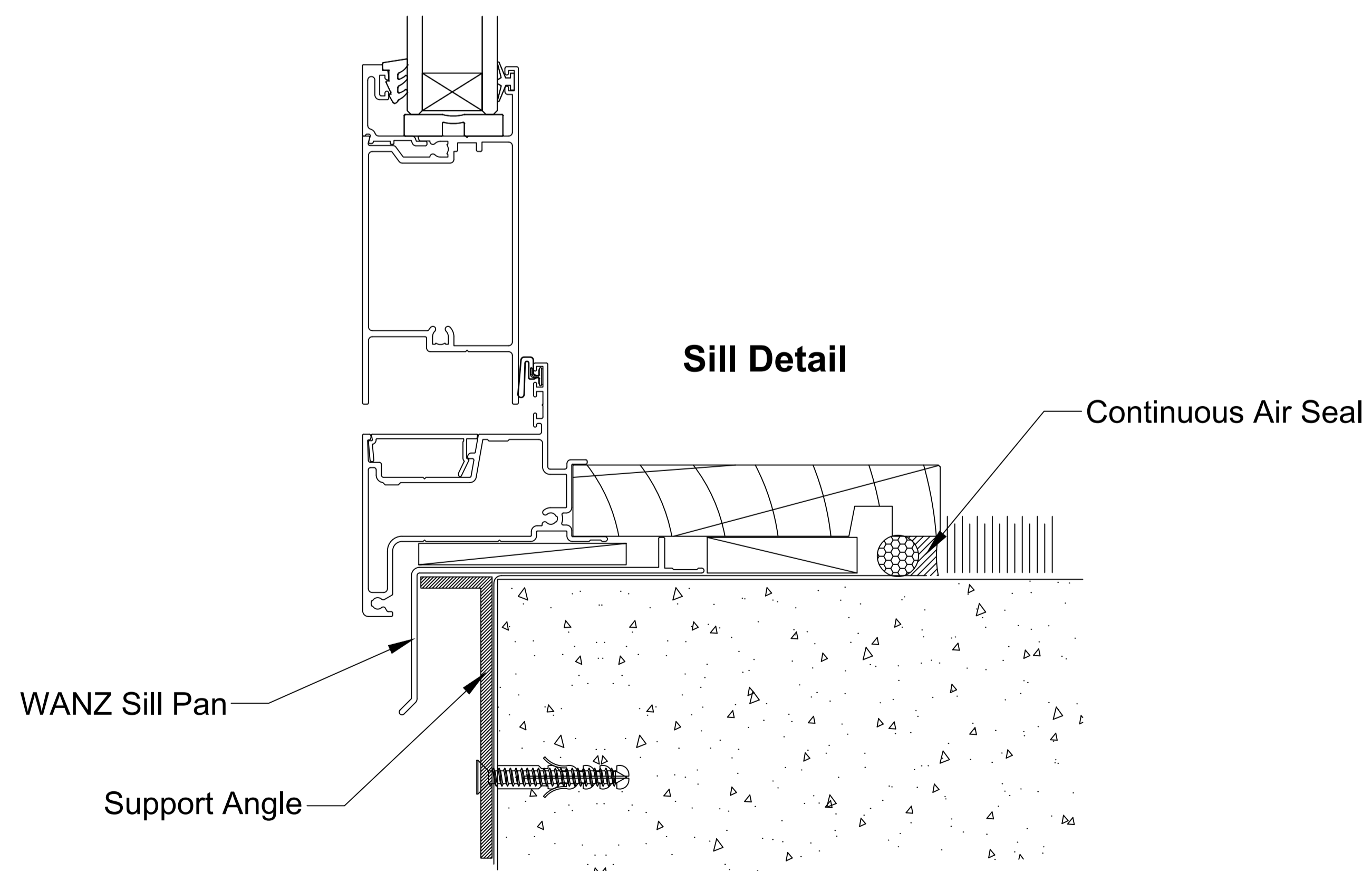
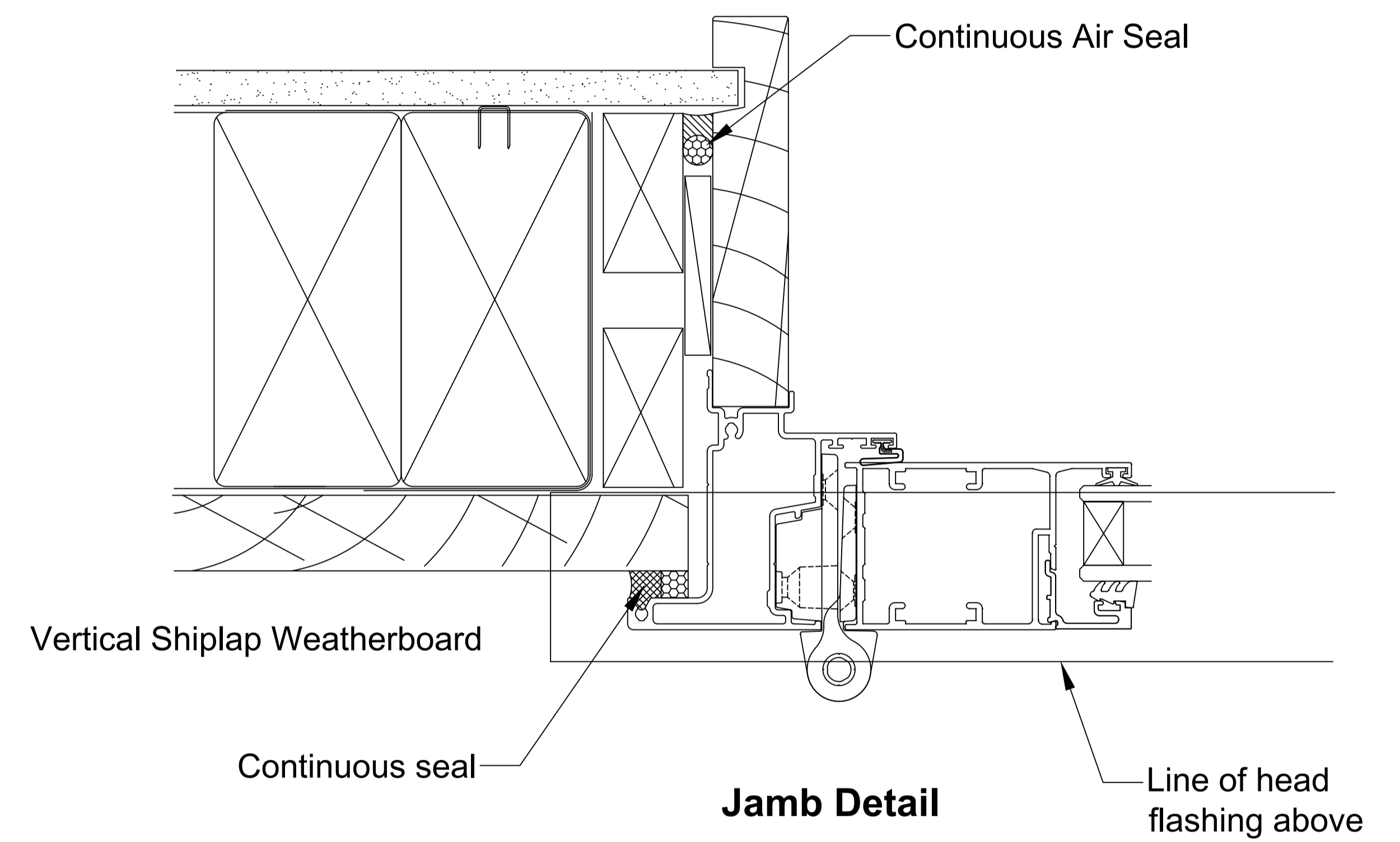
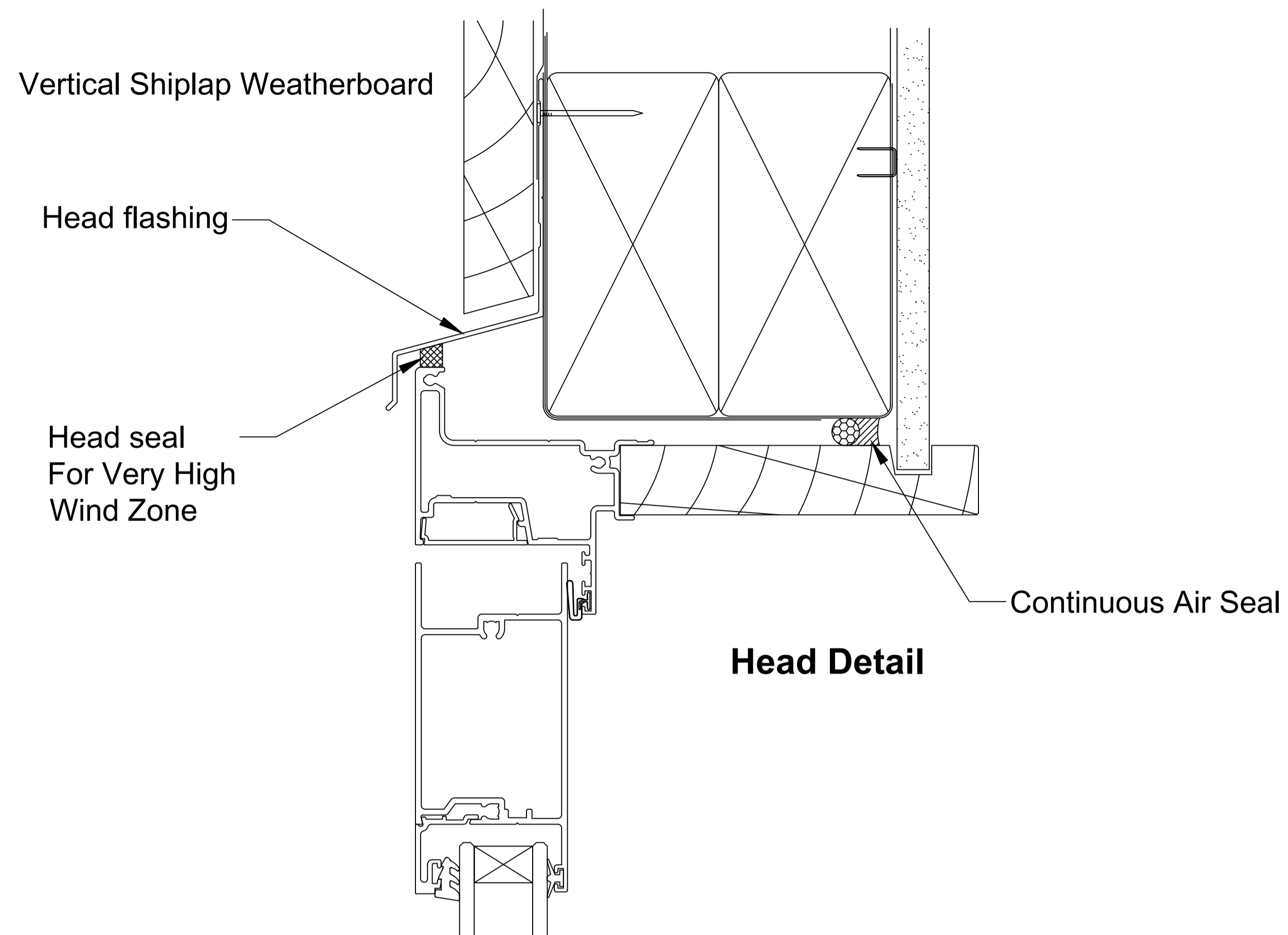
This document is intended as a guide only and is to be used in conjunction with
 The WANZ Guide to Window Installation as described in E2/AS1 Amendment 5 (see link below)
<http://www.wanz.org.nz/download/WANZ%20Guide%20to%20E2%20AS1%20Amd%206%20V1.3%20Dec%202014.pdf>

OMEGA WINDOWS AND DOORS
 BIFOLD DOOR
 300 SERIES RESIDENTIAL

VERTICAL SHIPLAP
 WEATHERBOARD

50.0

SCALE 1:1 @ A1

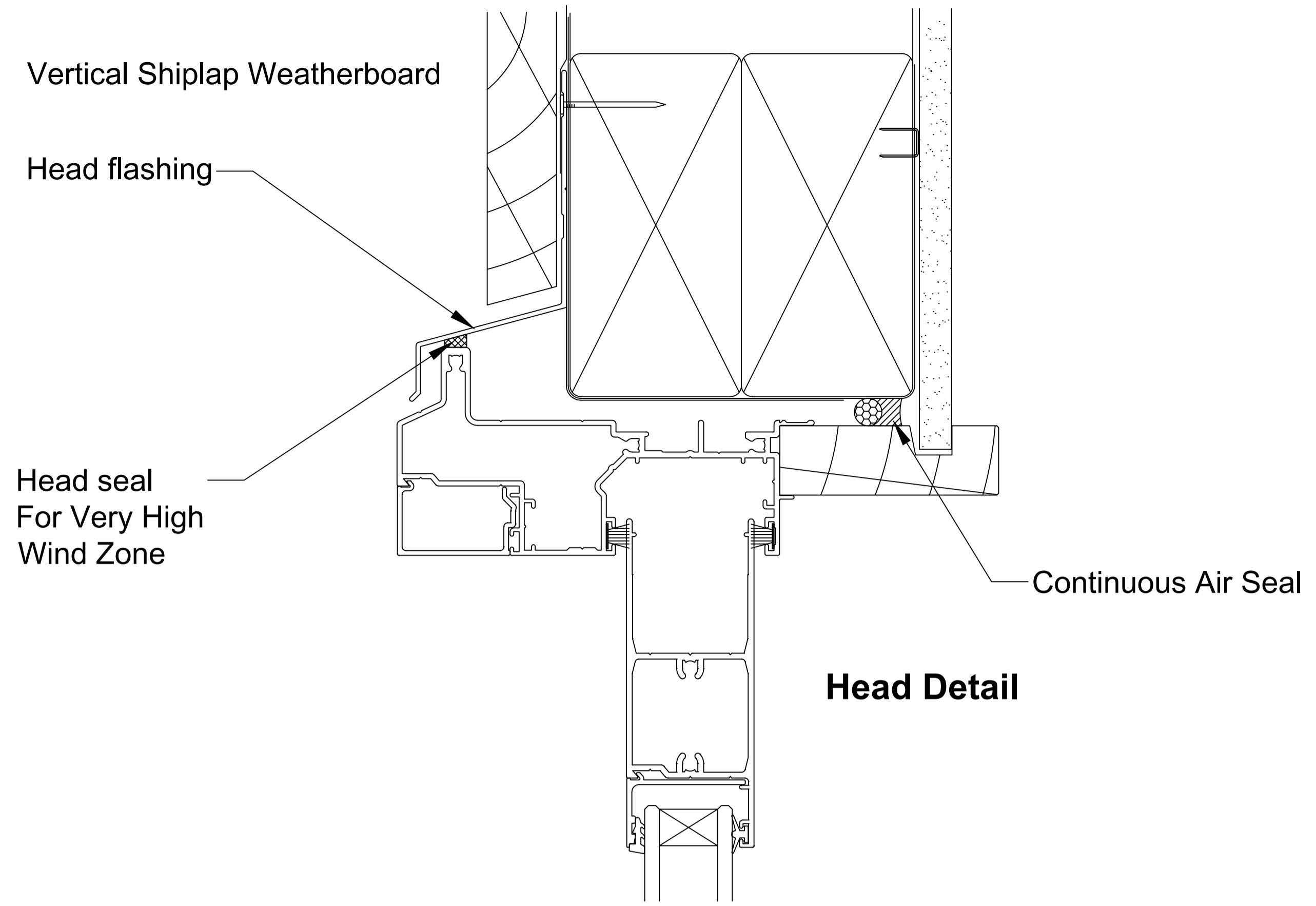


This document is intended as a guide only and is to be used in conjunction with
 The WANZ Guide to Window Installation as described in E2/AS1 Amendment 5 (see link below)
<http://www.wanz.org.nz/download/WANZ%20Guide%20to%20E2%20AS1%20Amd%206%20V1.3%20Dec%202014.pdf>

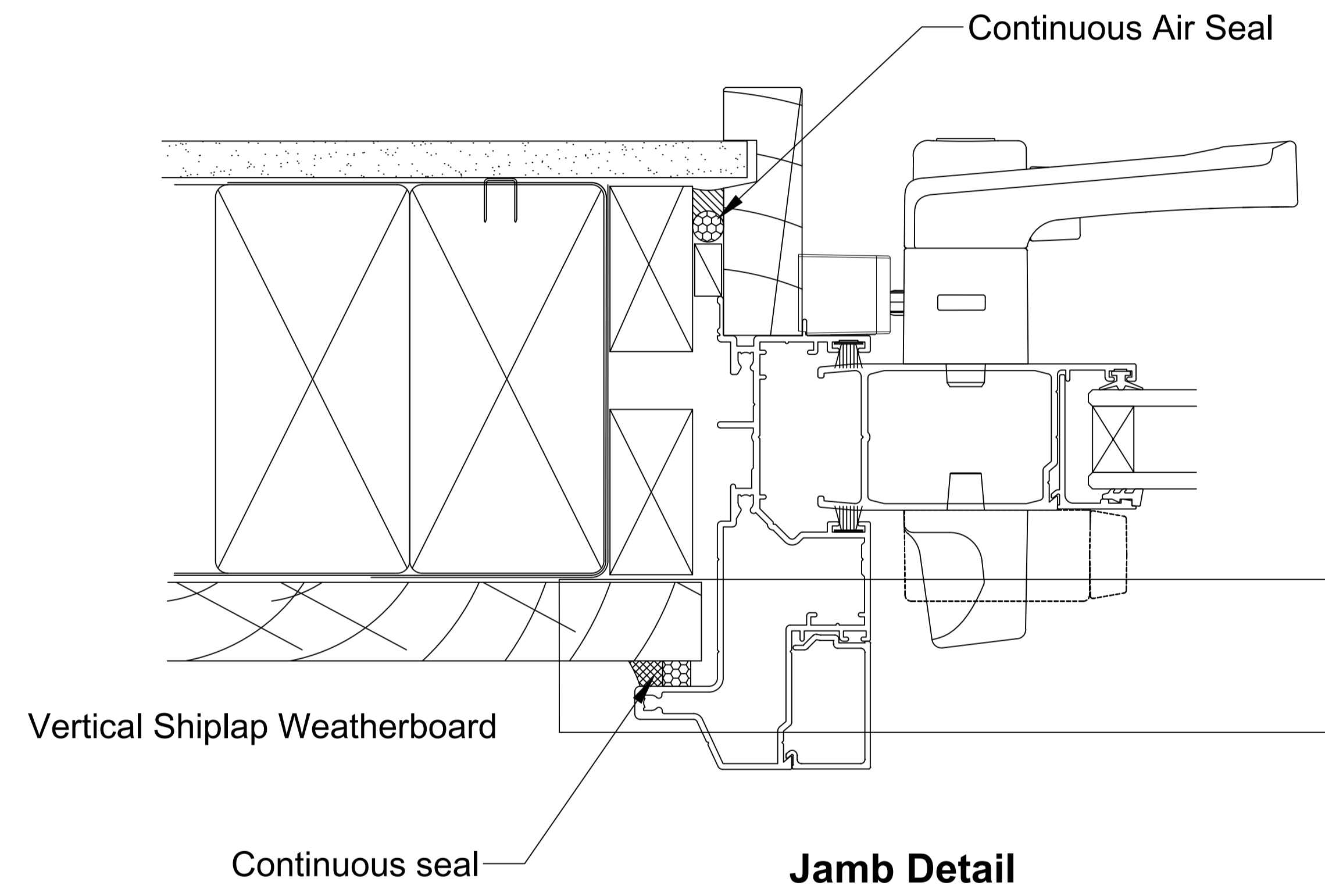
OMEGA WINDOWS AND DOORS
 HINGE DOOR OPEN OUT
 300 SERIES RESIDENTIAL

VERTICAL SHIPLAP
 WEATHERBOARD

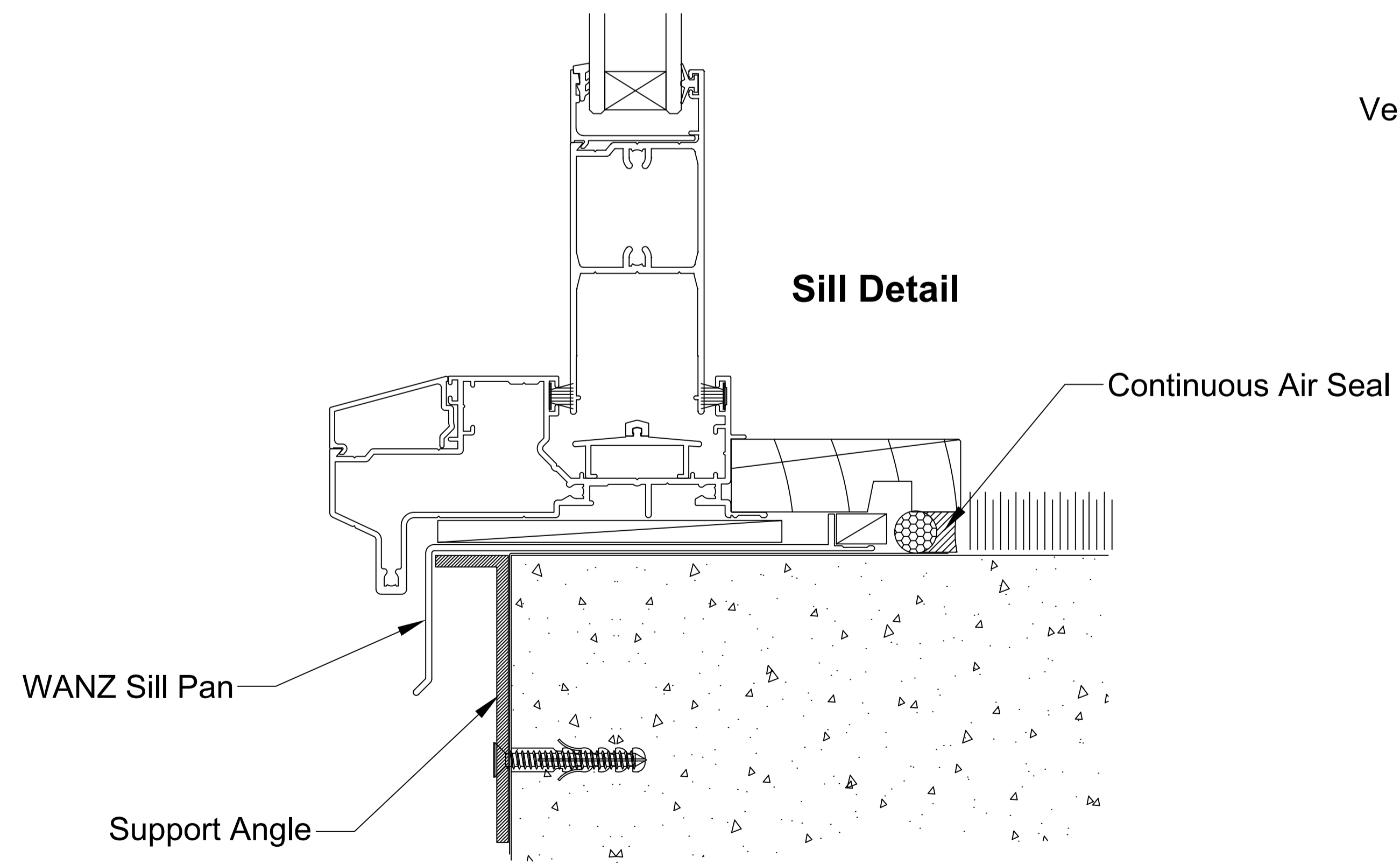
50.0
 SCALE 1:1 @ A1



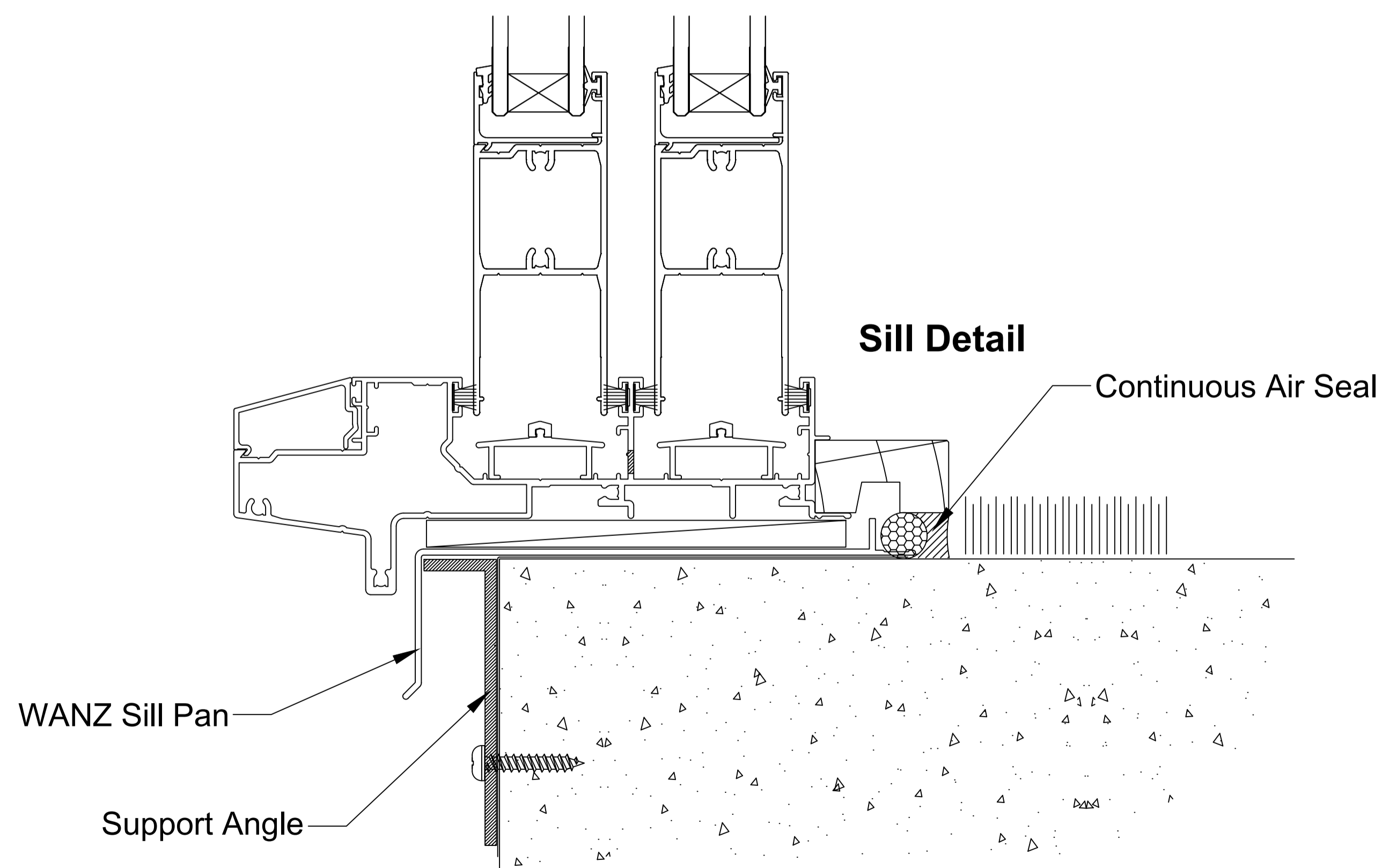
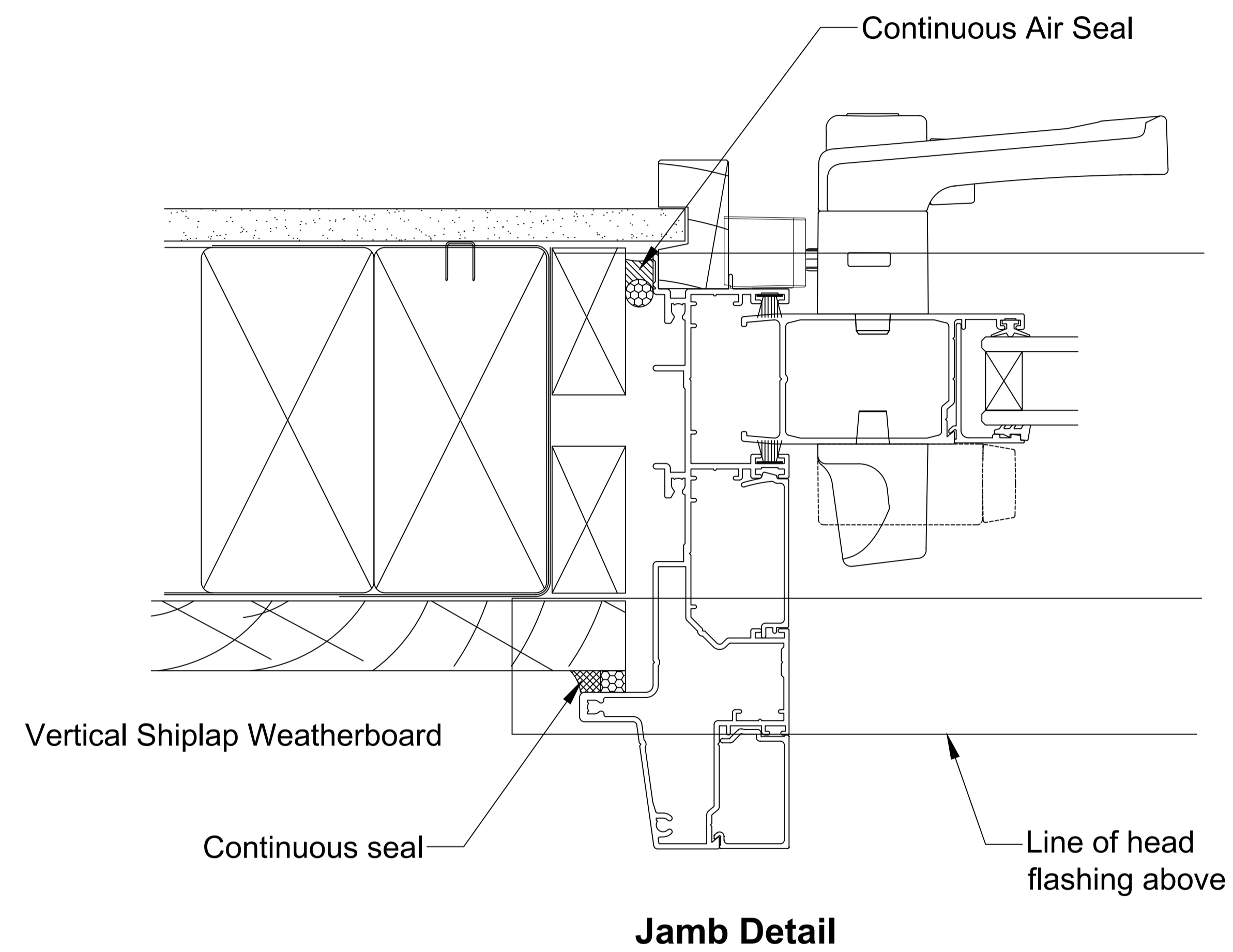
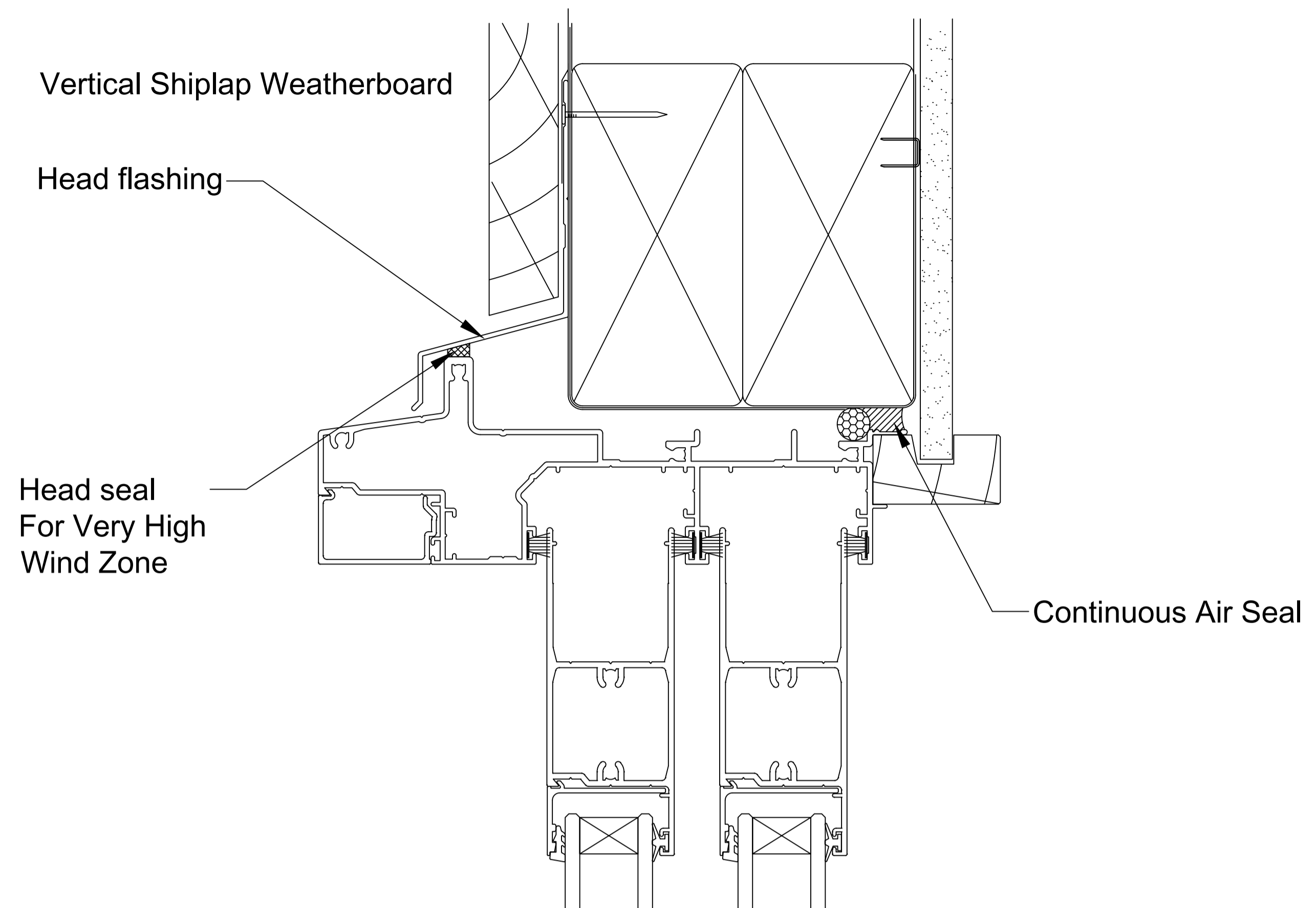
Head Detail



Jamb Detail



Sill Detail



This document is intended as a guide only and is to be used in conjunction with The Wanz Guide to Window Installation as described in E2/AS1 Amendment 5 (see link below) <http://www.wanz.org.nz/download/WANZ%20Guide%20to%20E2%20AS1%20Amd%206%20V1.3%20Dec%202014.pdf>

OMEGA WINDOWS AND DOORS
 STACKING DOOR
 300 SERIES RESIDENTIAL

VERTICAL SHIPLAP
 WEATHERBOARD

50.0
 SCALE 1:1 @ A1

