

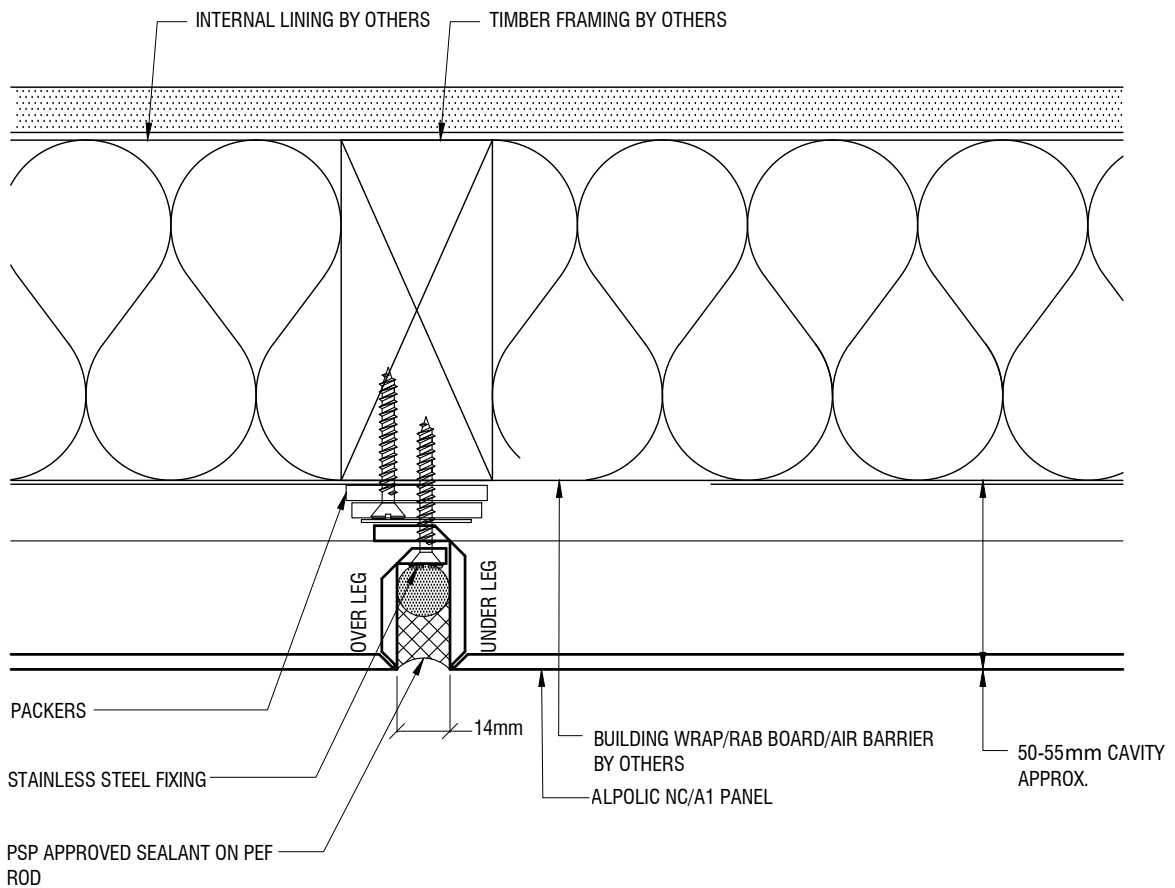
ALPOLIC NC/A1

SCALE:	1:2 @ A4
DRAWN BY:	PSP
CHECKED BY:	
DATE:	2020



DRAWING TITLE:
STANDARD HORIZONTAL JOINT DETAIL

SHEET NO.
01



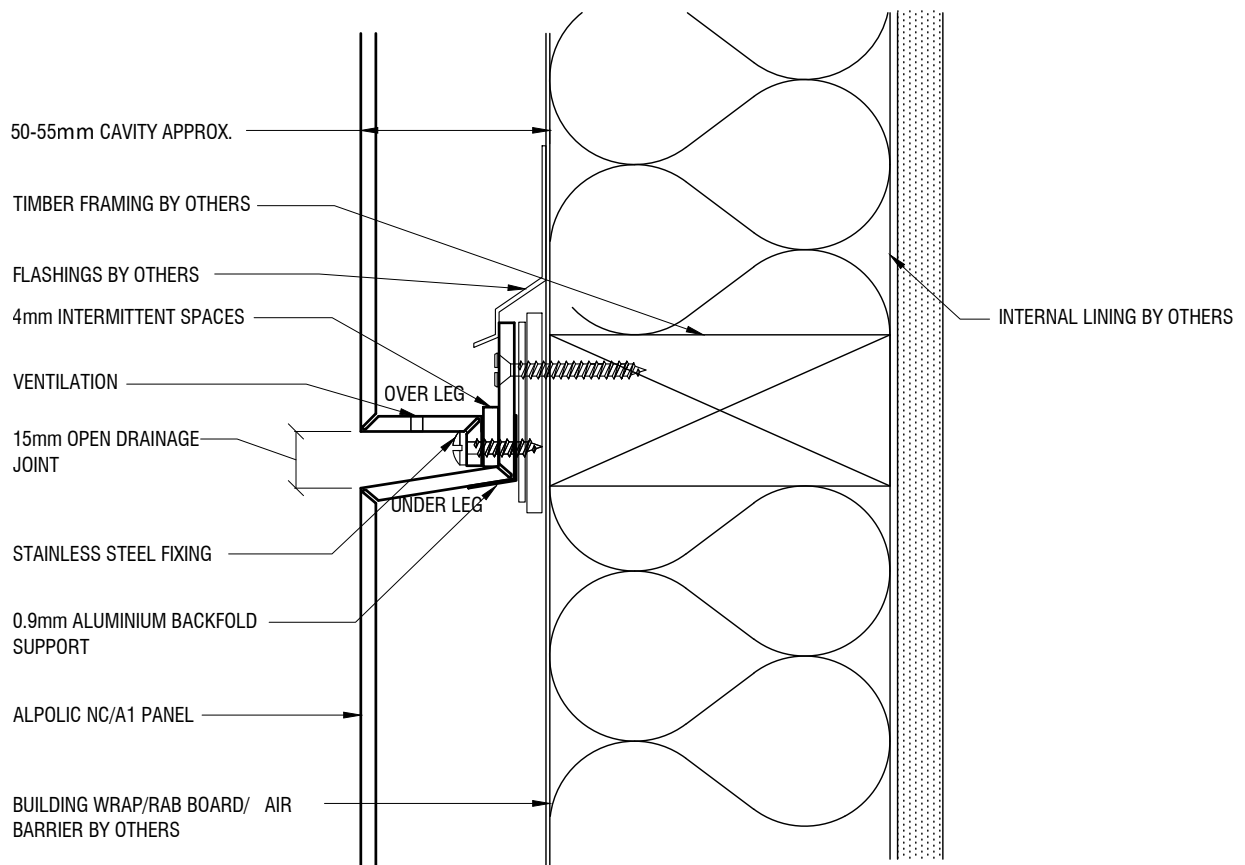
ALPOLIC NC/A1

SCALE:	1:2 @ A4
DRAWN BY:	PSP
CHECKED BY:	
DATE:	2020



DRAWING TITLE:
STANDARD VERTICAL JOINT DETAIL

SHEET NO.
02



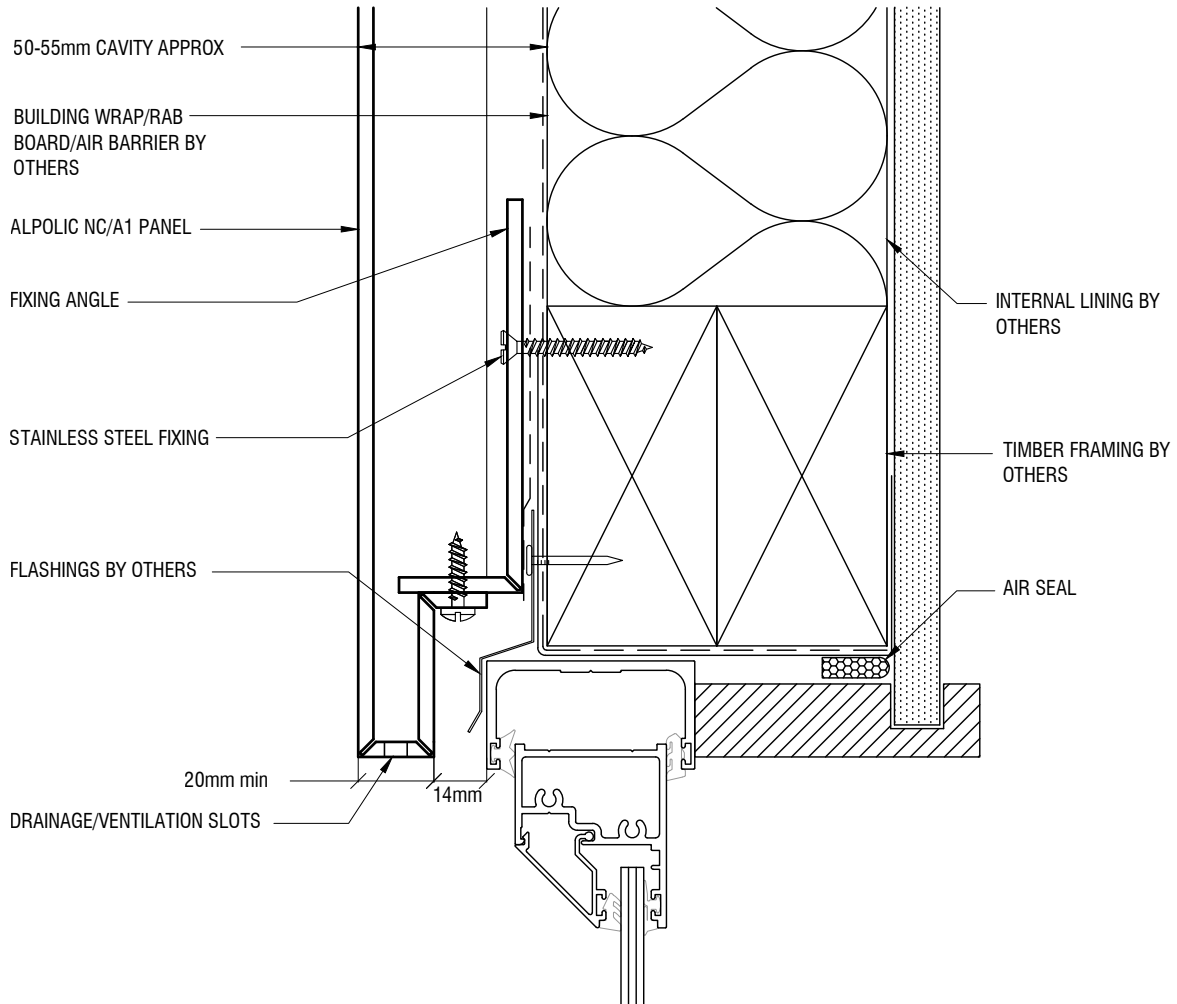
**ALPOLIC NC/A1**

SCALE:	1:2 @ A4
DRAWN BY:	PSP
CHECKED BY:	
DATE:	2020



DRAWING TITLE:
<b>STANDARD OPEN JOINT DETAIL</b>

SHEET NO.
<b>03</b>



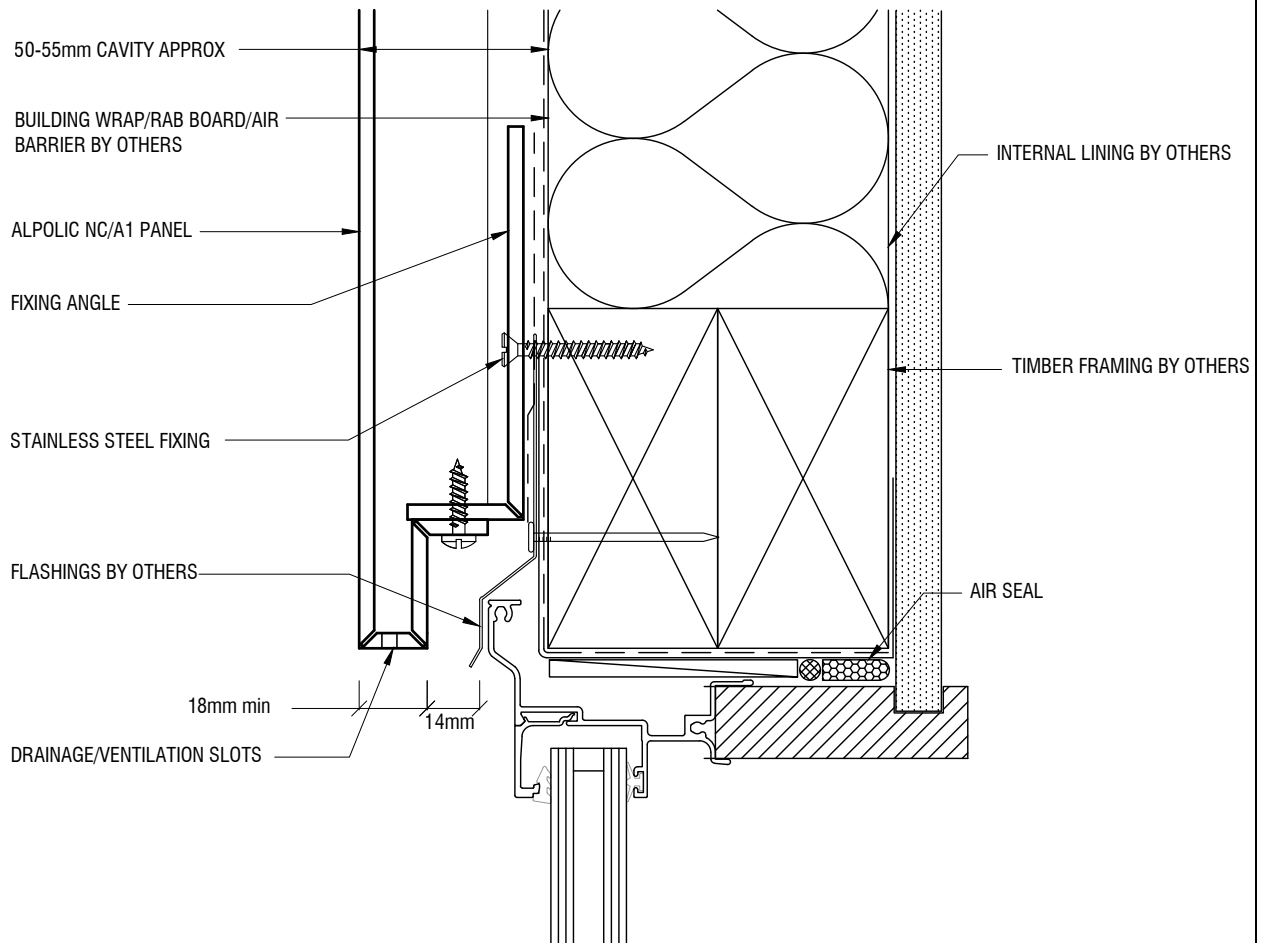
ALPOLIC NC/A1

SCALE:	1:2 @ A4
DRAWN BY:	PSP
CHECKED BY:	
DATE:	2020



DRAWING TITLE:
COMMERCIAL WINDOW HEAD DETAIL

SHEET NO.
04



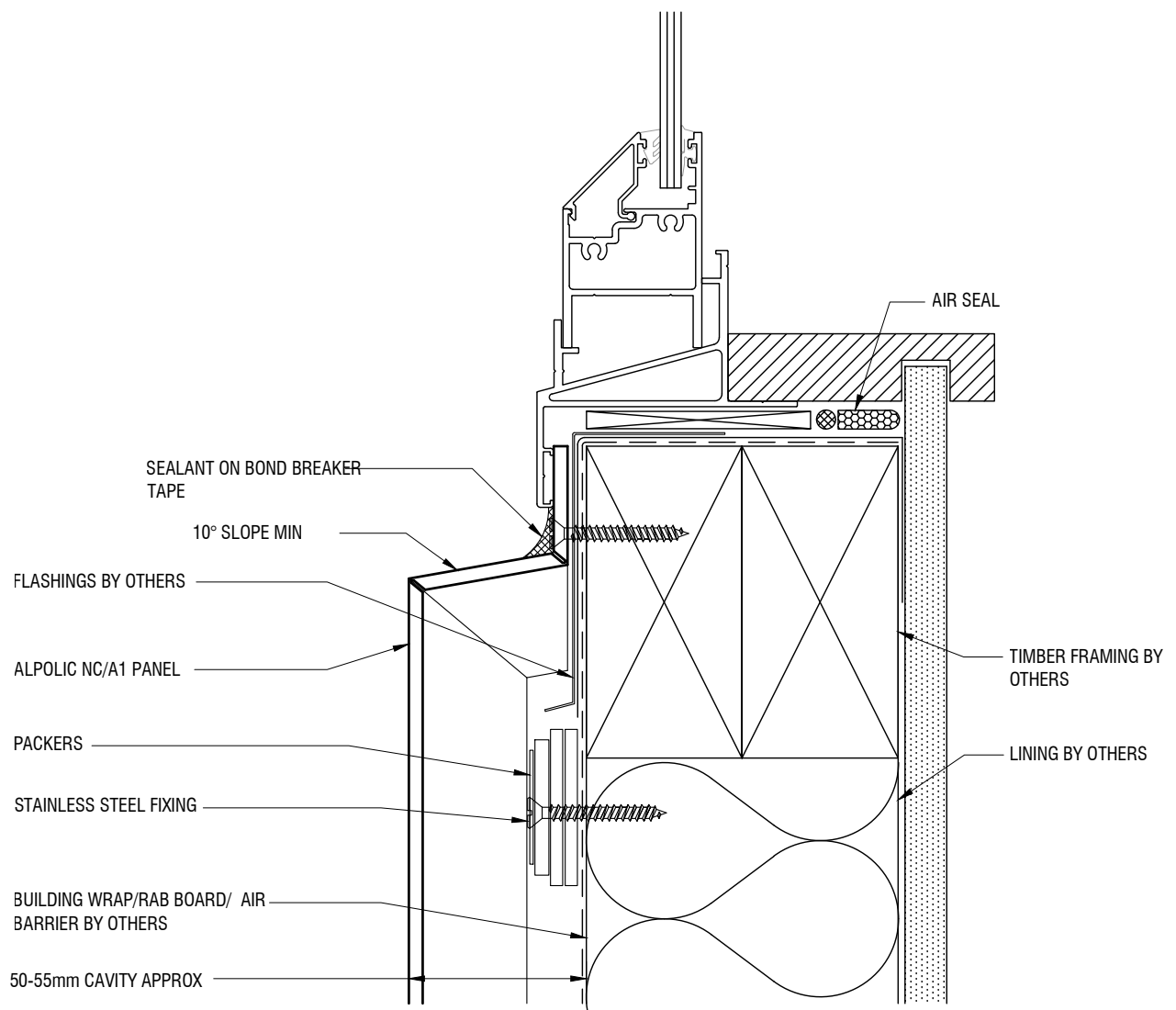
ALPOLIC NC/A1

SCALE:	1:2 @ A4
DRAWN BY:	PSP
CHECKED BY:	
DATE:	2020



DRAWING TITLE:
RESIDENTIAL WINDOW HEAD DETAIL

SHEET NO.
05



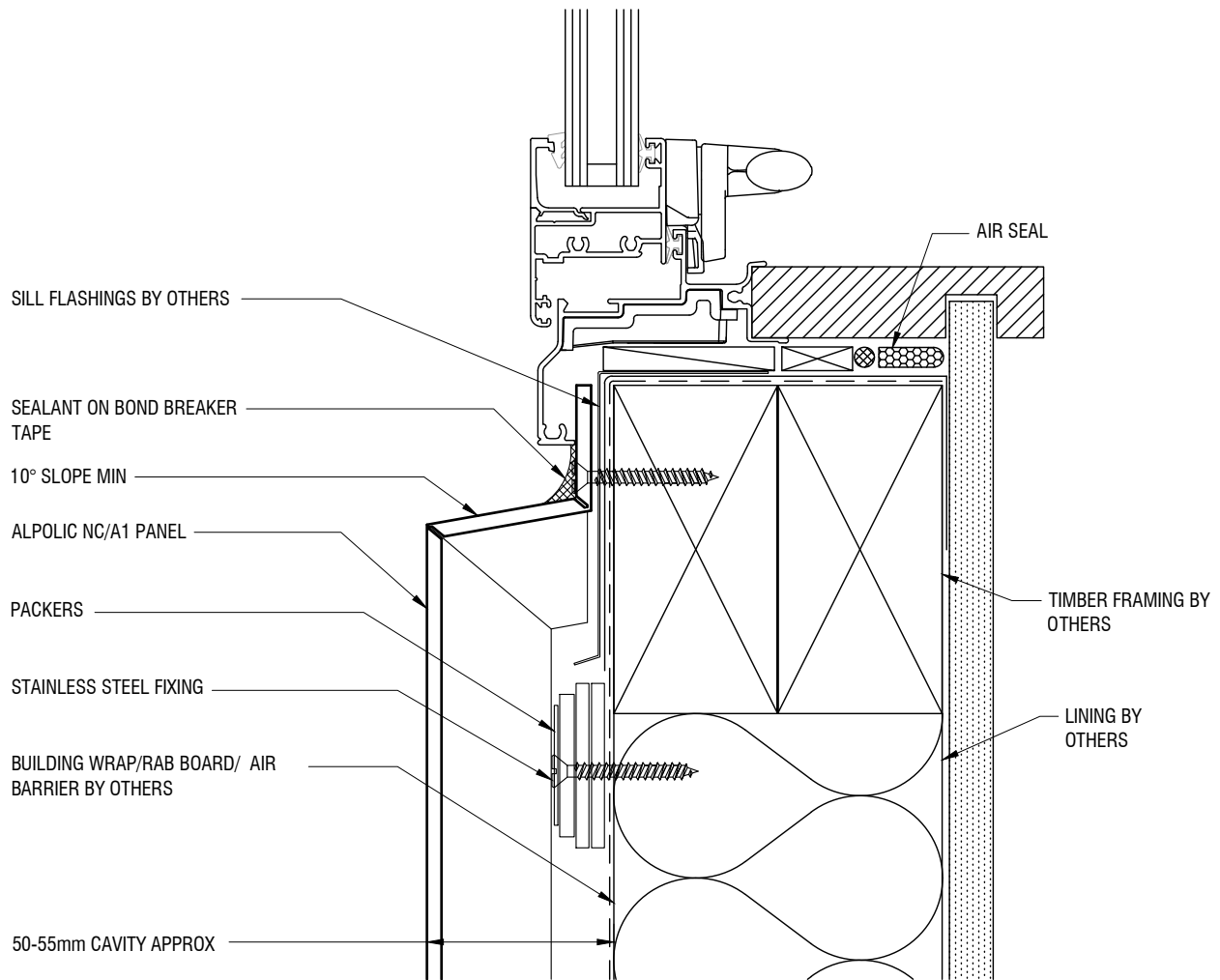
**ALPOLIC NC/A1**

SCALE:	1:2 @ A4
DRAWN BY:	PSP
CHECKED BY:	
DATE:	2020



DRAWING TITLE:
<b>COMMERCIAL WINDOW SILL DETAIL</b>

SHEET NO.
<b>06</b>



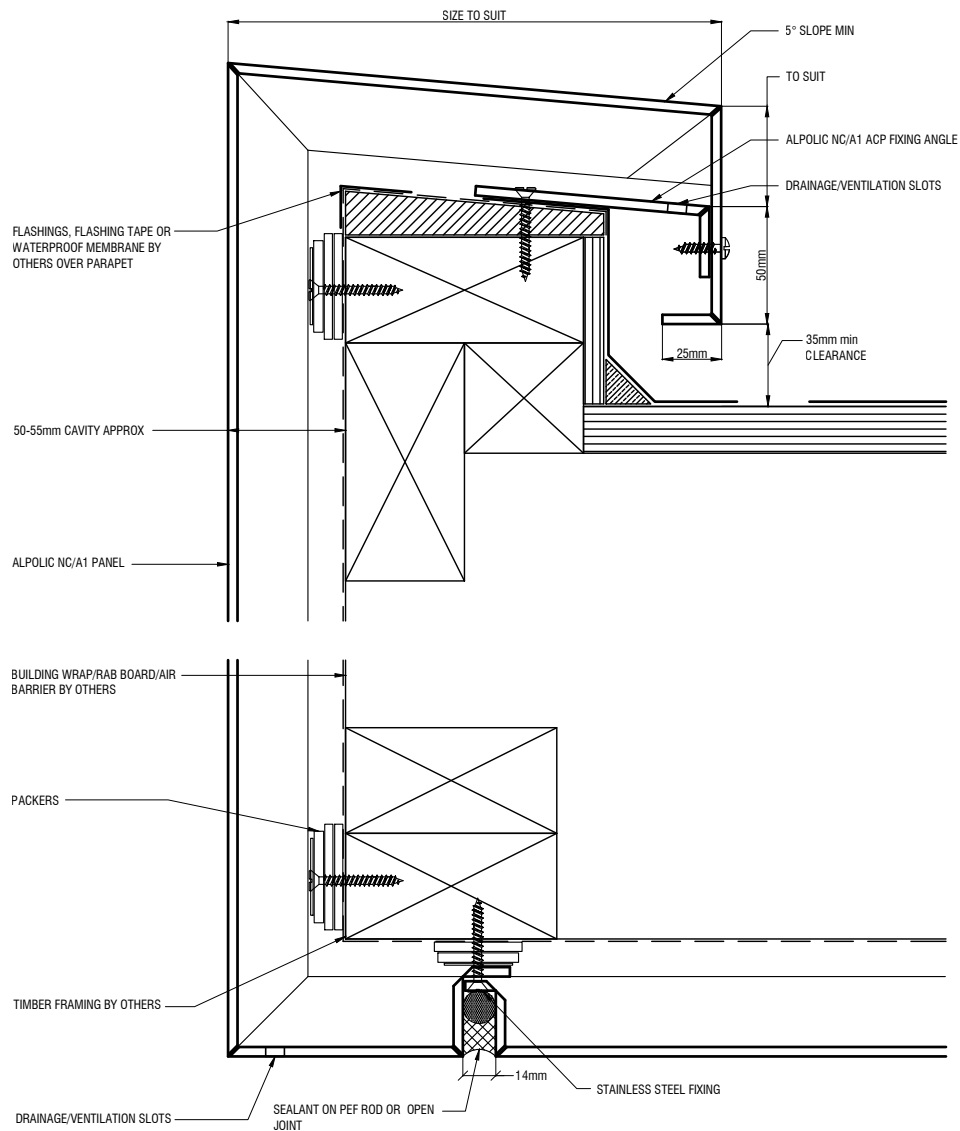
ALPOLIC NC/A1

SCALE:	1:2 @ A4
DRAWN BY:	PSP
CHECKED BY:	
DATE:	2020



DRAWING TITLE:
RESIDENTIAL WINDOW SILL DETAIL

SHEET NO.
07



ALPOLIC NC/A1

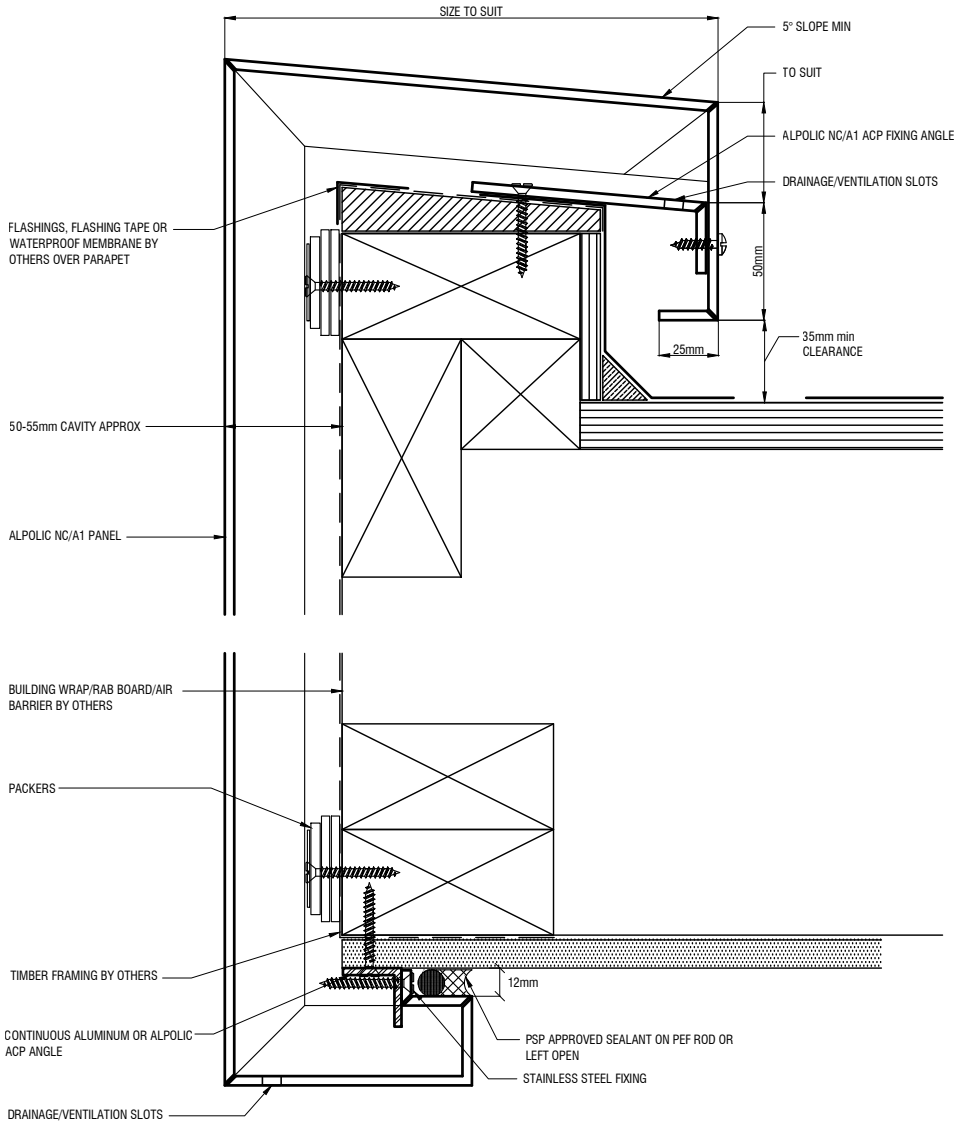
SCALE:	
DRAWN BY:	PSP
CHECKED BY:	
DATE:	2020



DRAWING TITLE:
FASCIA DETAIL 1 - ACP PANEL SOFFIT

SHEET NO.
08





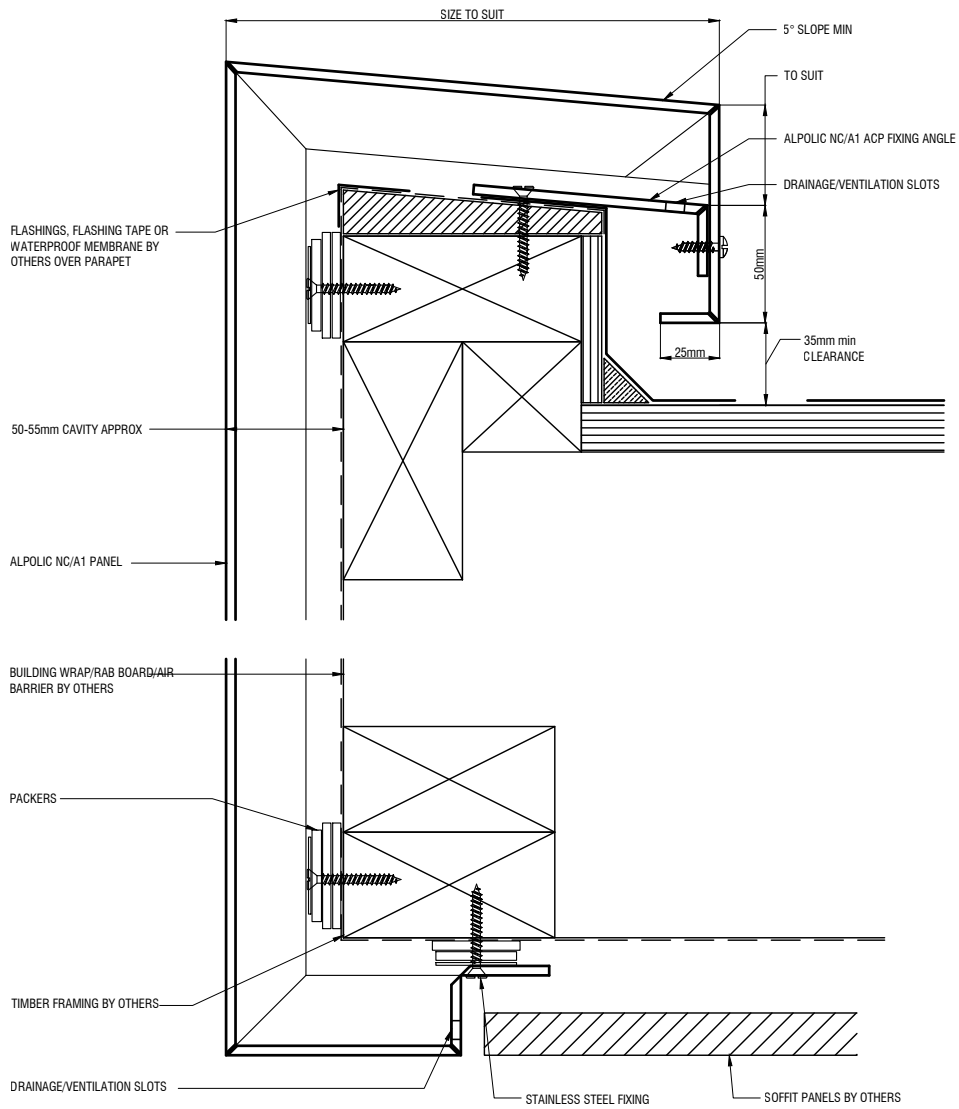
ALPOLIC NC/A1

SCALE:	
DRAWN BY:	PSP
CHECKED BY:	
DATE:	2020



DRAWING TITLE:
FASCIA DETAIL 2 - ACP TO OTHER SOFFIT 1

SHEET NO.
09



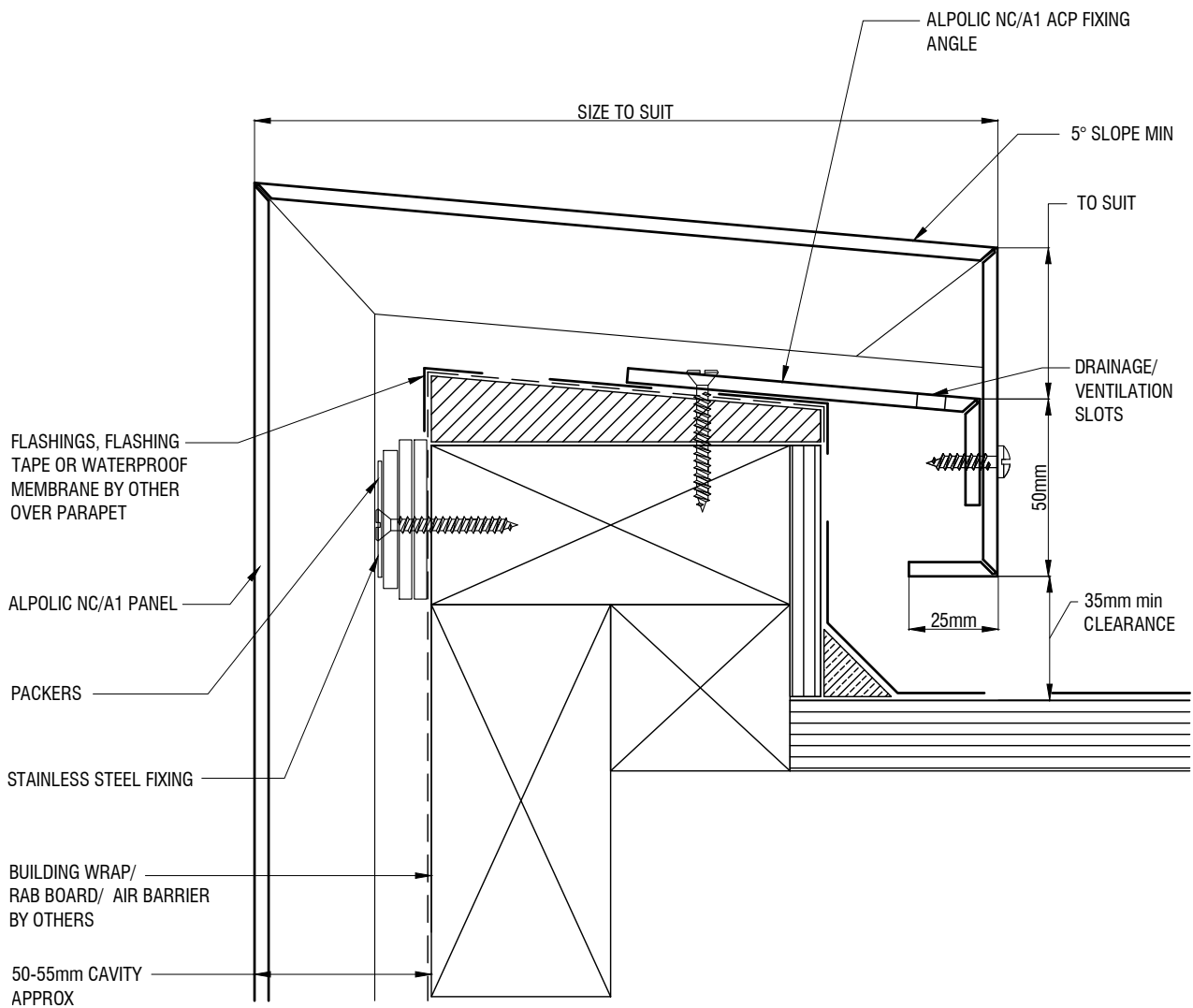
ALPOLIC NC/A1

SCALE:	
DRAWN BY:	PSP
CHECKED BY:	
DATE:	2020



DRAWING TITLE:	FASCIA DETAIL 3- ACP TO OTHER SOFFIT 2
----------------	--

SHEET NO.	10
-----------	----



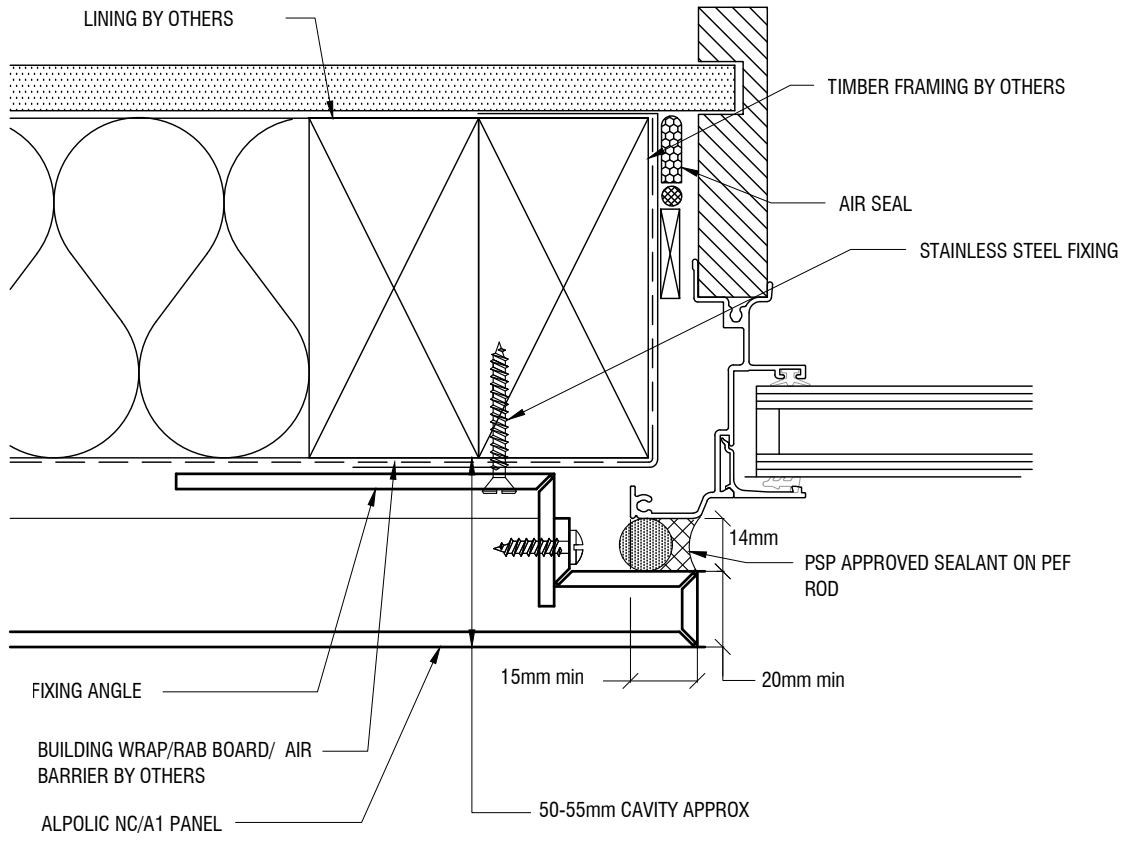
**ALPOLIC NC/A1**

SCALE:	1:2 @ A4
DRAWN BY:	PSP
CHECKED BY:	
DATE:	2020



DRAWING TITLE:
PARAPET DETAIL

SHEET NO.
11



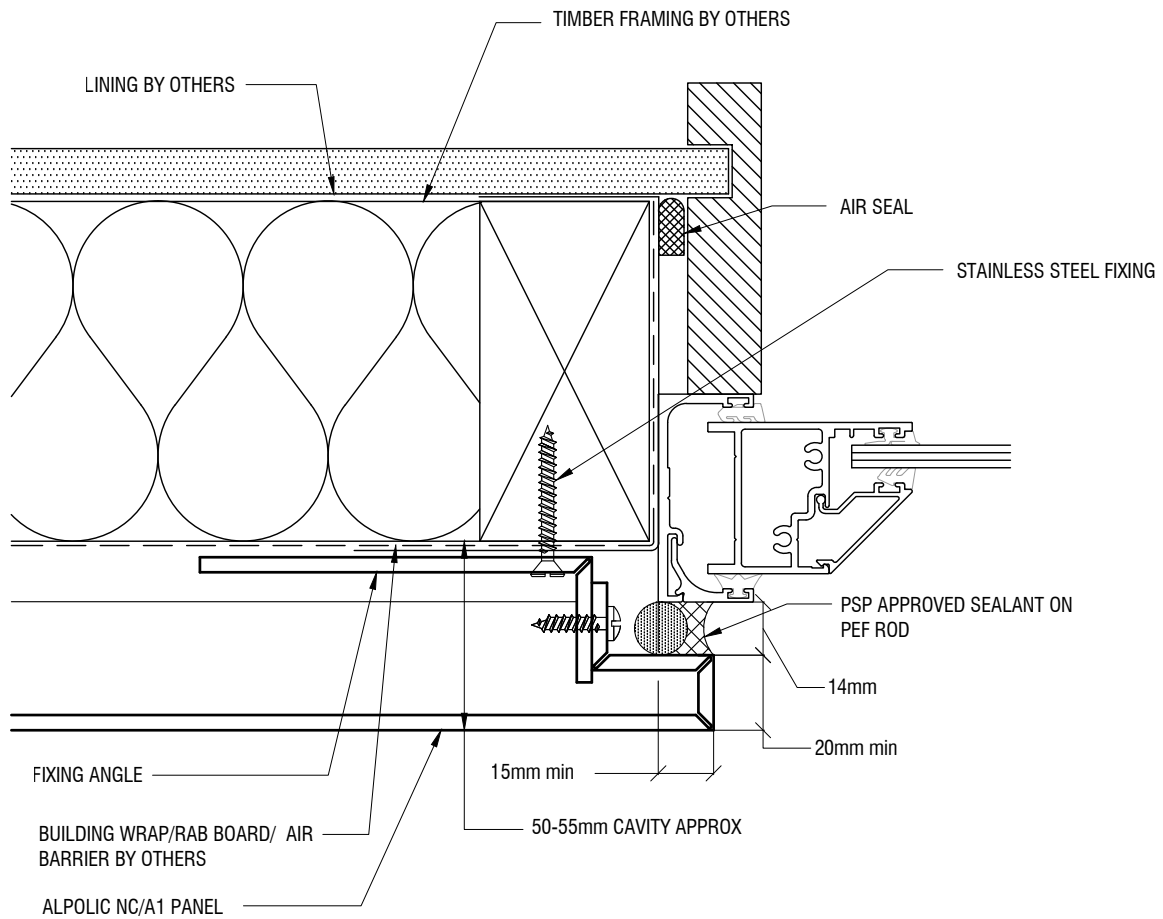
**ALPOLIC NC/A1**

SCALE:	1:2 @ A4
DRAWN BY:	PSP
CHECKED BY:	
DATE:	2020



DRAWING TITLE:
<b>RESIDENTIAL JAMB DETAIL</b>

SHEET NO.
<b>12</b>



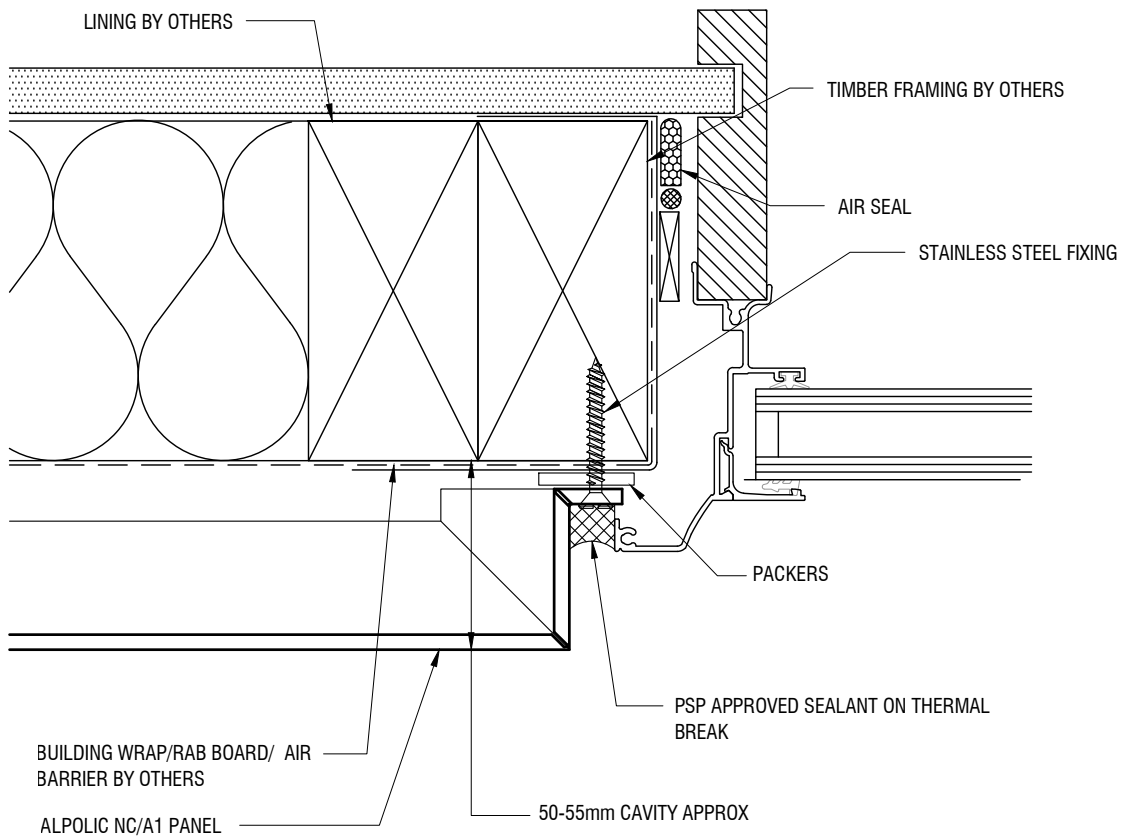
ALPOLIC NC/A1

SCALE:	1:2 @ A4
DRAWN BY:	PSP
CHECKED BY:	
DATE:	2020



DRAWING TITLE:
COMMERCIAL JAMB DETAIL

SHEET NO.
13



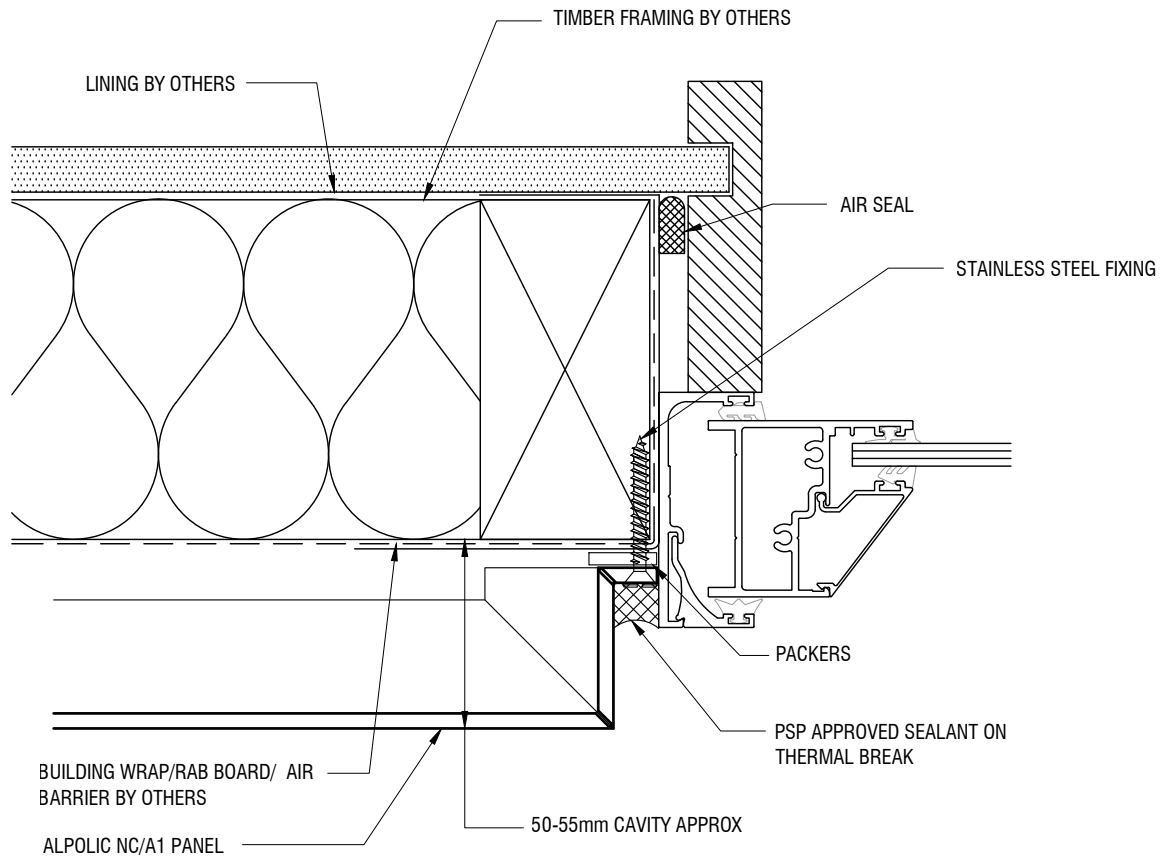
ALPOLIC NC/A1

SCALE:	1:2 @ A4
DRAWN BY:	PSP
CHECKED BY:	
DATE:	2020



DRAWING TITLE:
ALTERNATIVE RESIDENTIAL JAMB DETAIL

SHEET NO.
14



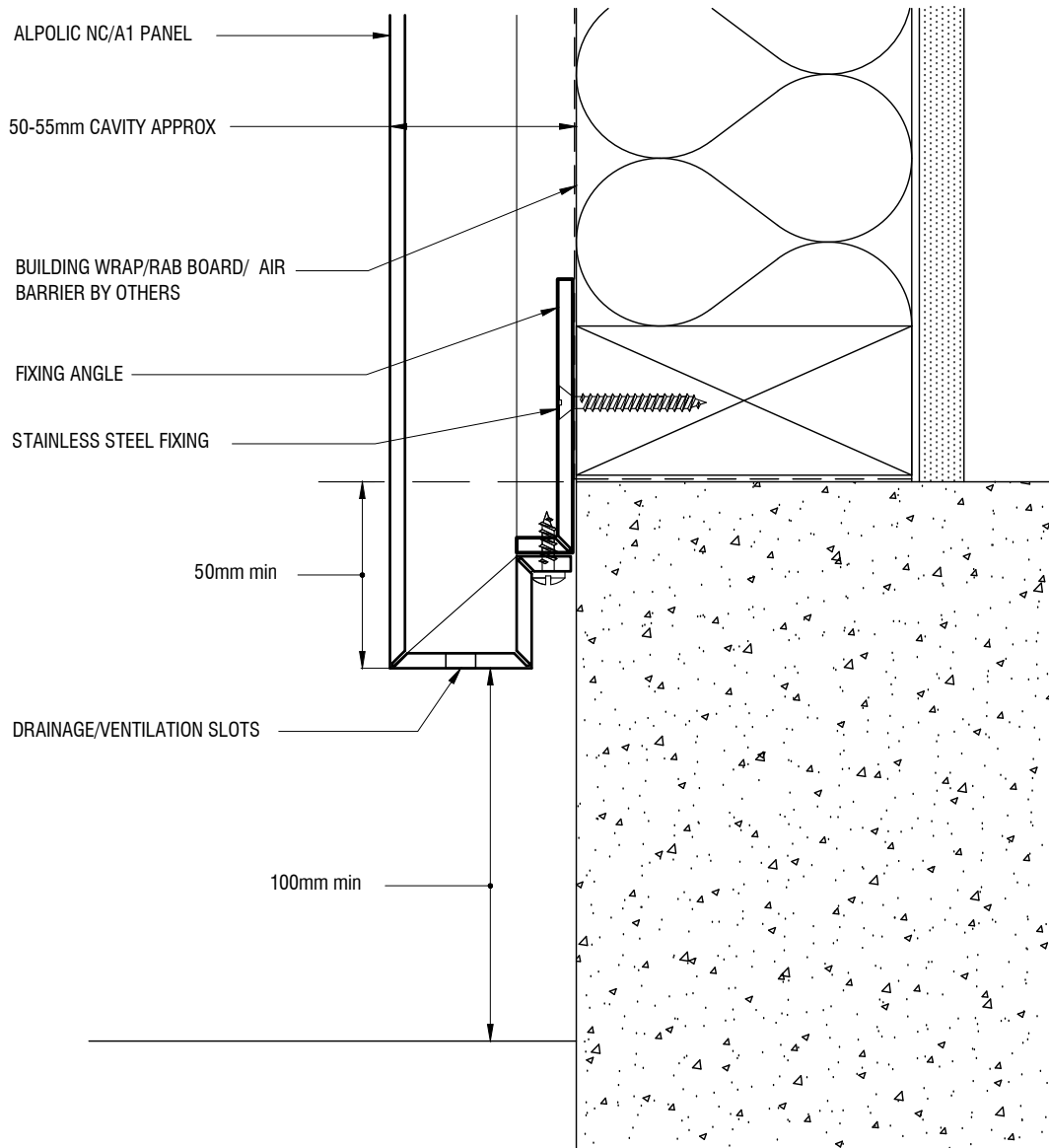
**ALPOLIC NC/A1**

SCALE:	1:2 @ A4
DRAWN BY:	PSP
CHECKED BY:	
DATE:	2020



DRAWING TITLE:
<b>ALTERNATIVE COMMERCIAL JAMB DETAIL</b>

SHEET NO.
<b>15</b>



ALPOLIC NC/A1

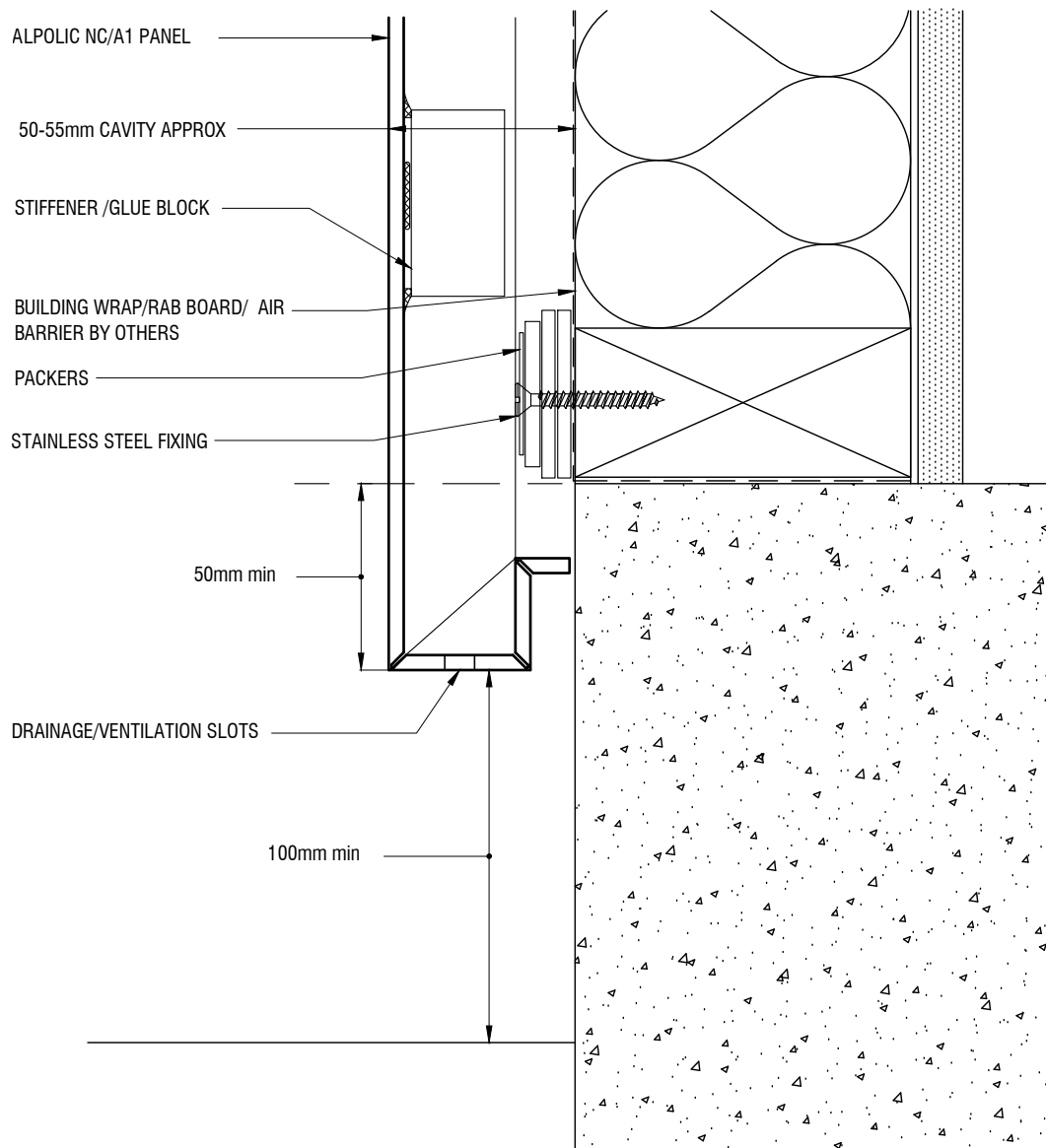
SCALE:	1:2 @ A4
DRAWN BY:	PSP
CHECKED BY:	
DATE:	2020



DRAWING TITLE:
BASE CLEARANCE DETAIL-1

SHEET NO.
16





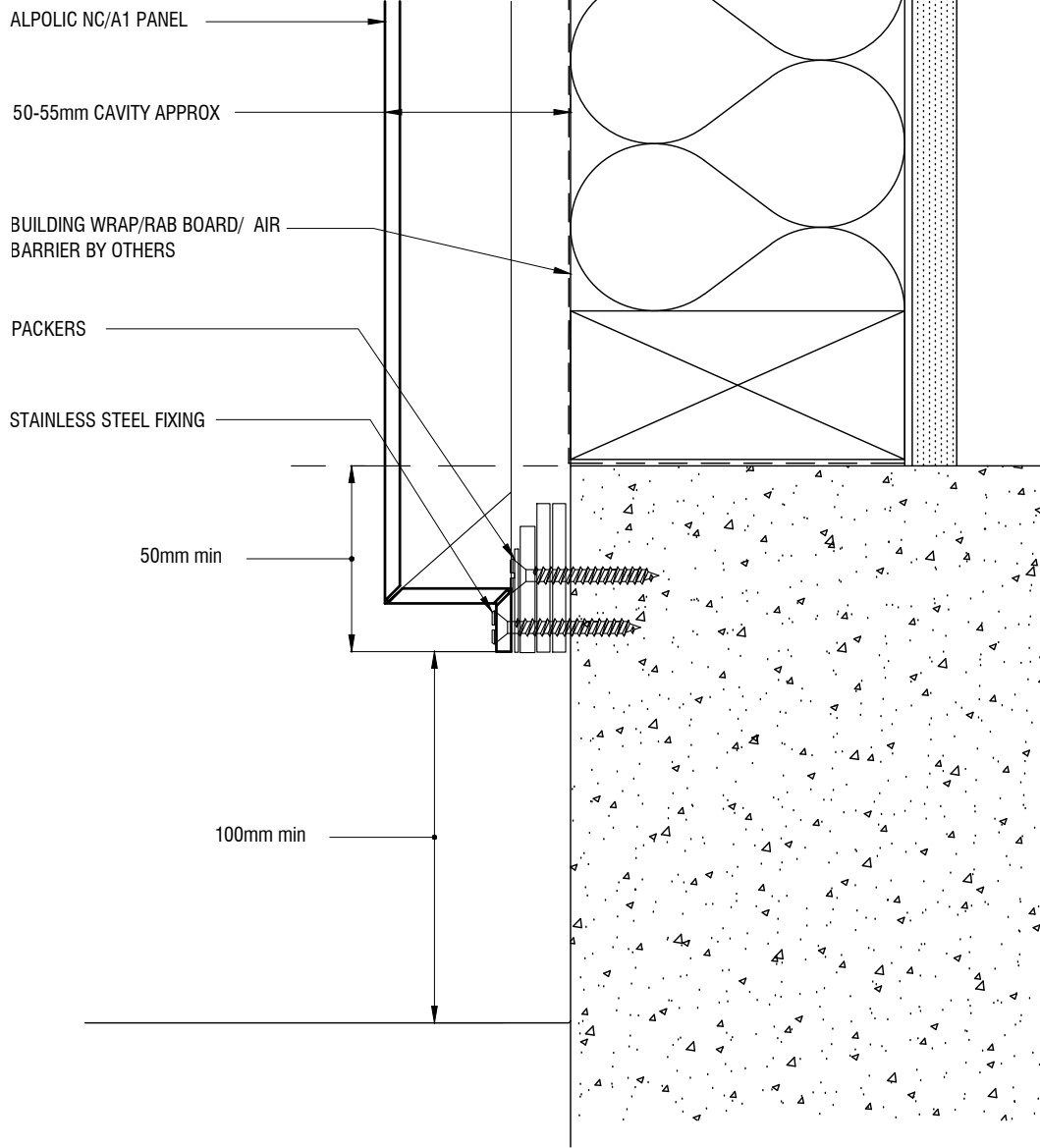
ALPOLIC NC/A1

SCALE:	1:2 @ A4
DRAWN BY:	PSP
CHECKED BY:	
DATE:	2020



DRAWING TITLE:
BASE CLEARANCE DETAIL-2

SHEET NO.
17



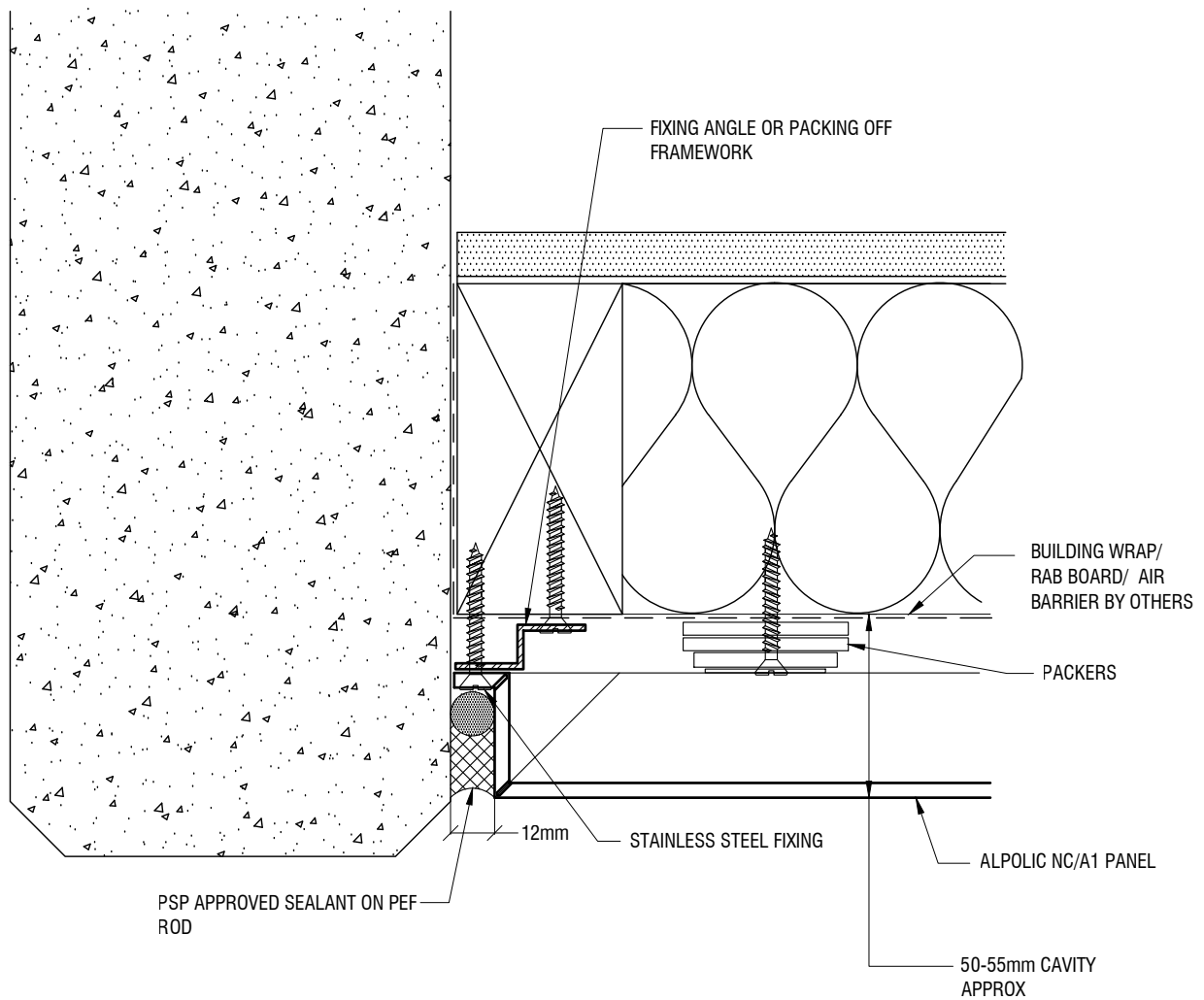
ALPOLIC NC/A1

SCALE:	1:2 @ A4
DRAWN BY:	PSP
CHECKED BY:	
DATE:	2020



DRAWING TITLE:
BASE CLEARANCE DETAIL-3

SHEET NO.
18



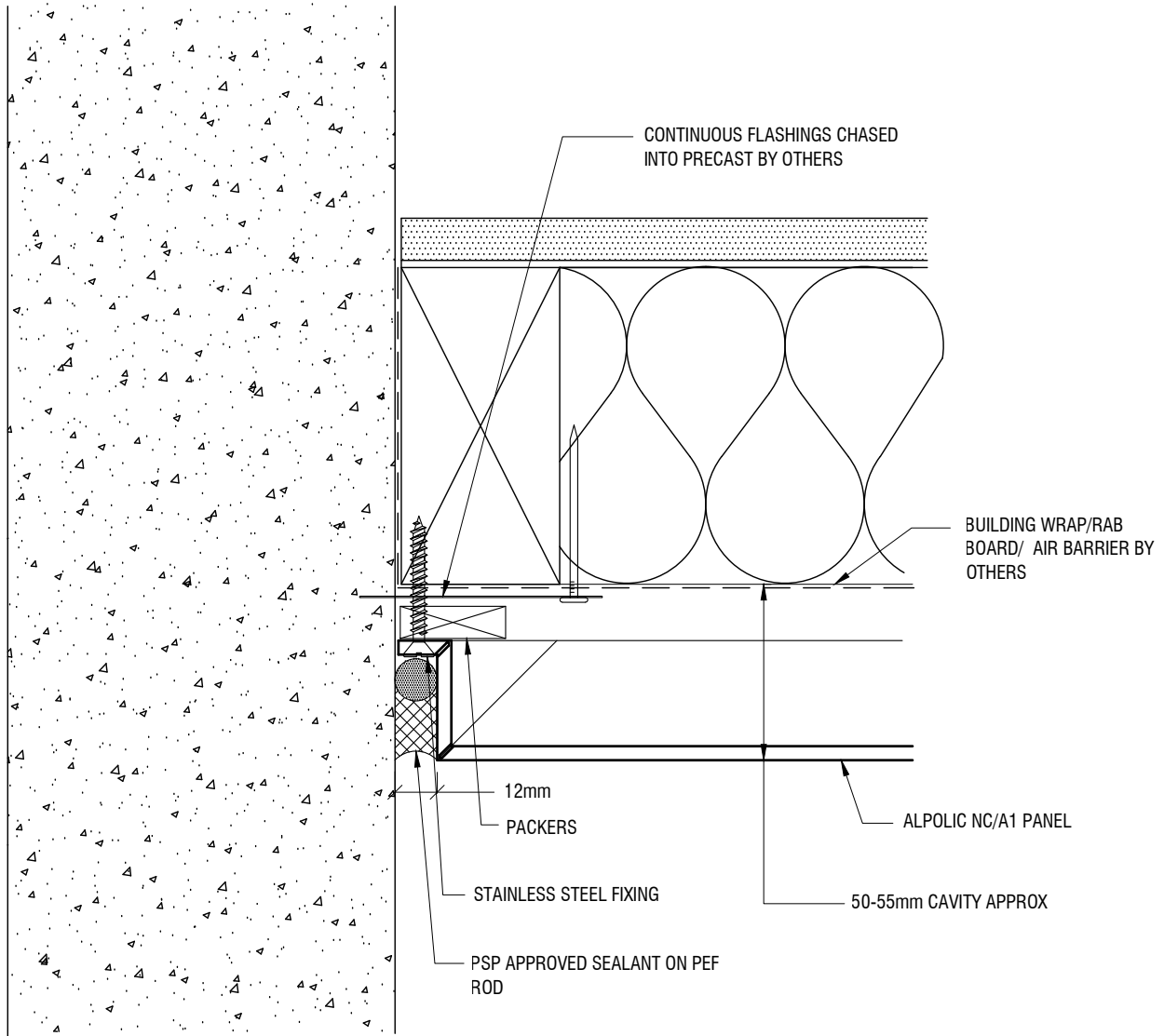
ALPOLIC NC/A1

SCALE:	1:2 @ A4
DRAWN BY:	PSP
CHECKED BY:	
DATE:	2020



DRAWING TITLE:
ACP PRECAST JUNCTION DETAIL-1

SHEET NO.
19



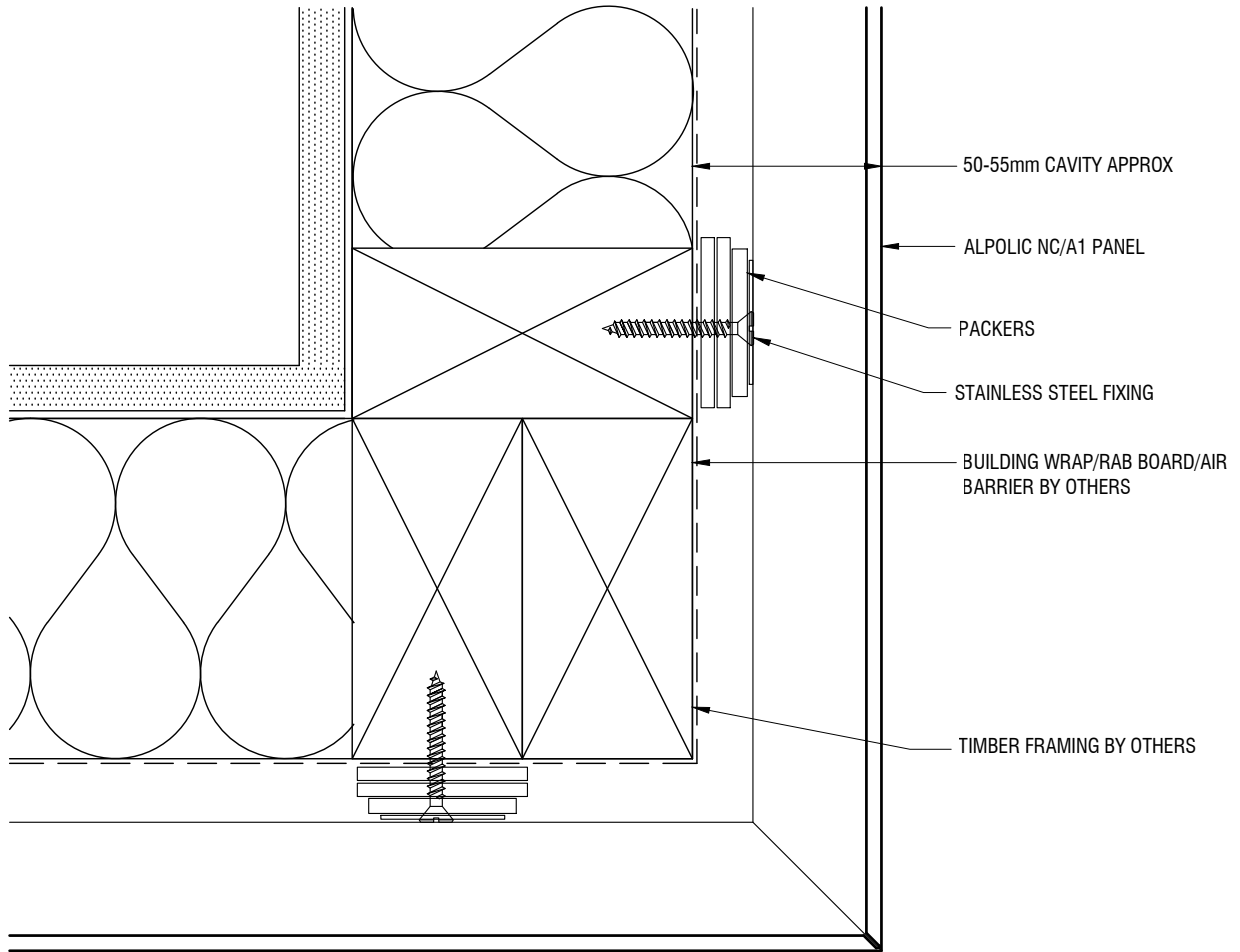
ALPOLIC NC/A1

SCALE:	1:2 @ A4
DRAWN BY:	PSP
CHECKED BY:	
DATE:	2020



DRAWING TITLE:	ACP PRECAST JUNCTION DETAIL-2
----------------	-------------------------------

SHEET NO.	20
-----------	----



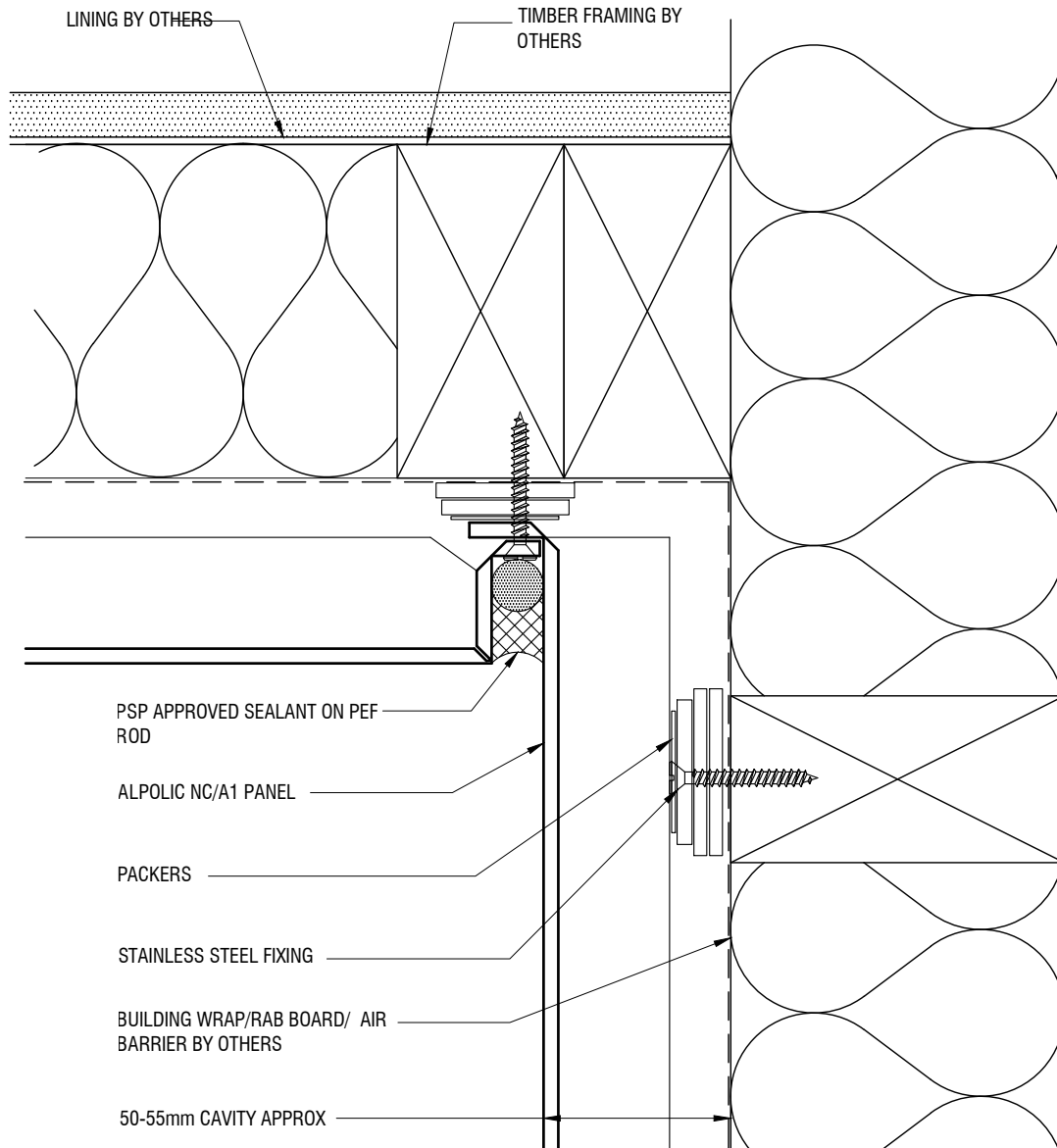
ALPOLIC NC/A1

SCALE:	1:2 @ A4
DRAWN BY:	PSP
CHECKED BY:	
DATE:	2020



DRAWING TITLE:
EXTERNAL CORNER DETAIL

SHEET NO.
21



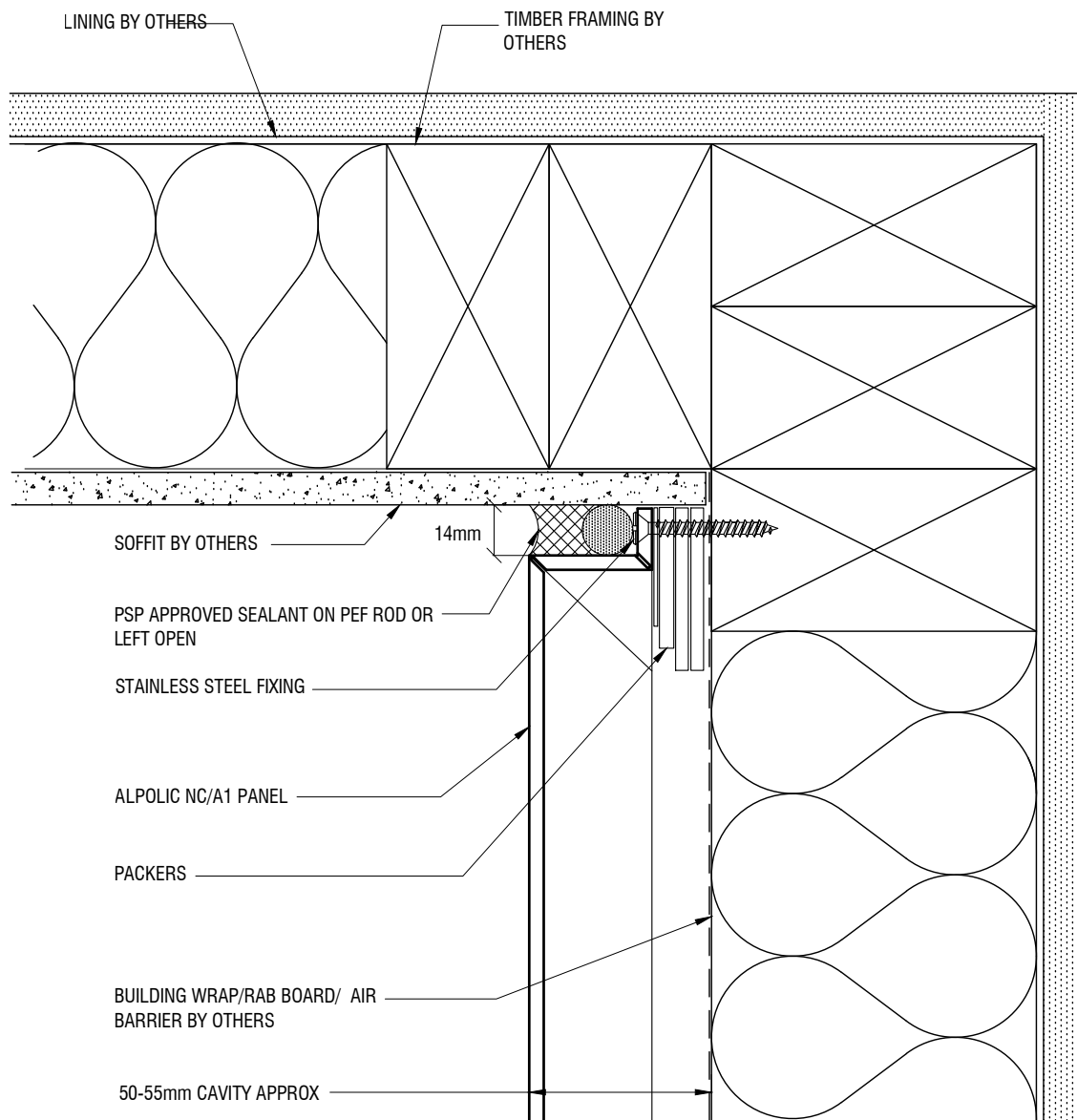
**ALPOLIC NC/A1**

SCALE:	1:2 @ A4
DRAWN BY:	PSP
CHECKED BY:	
DATE:	2020



DRAWING TITLE:
<b>INTERNAL CORNER DETAIL</b>

SHEET NO.
<b>22</b>



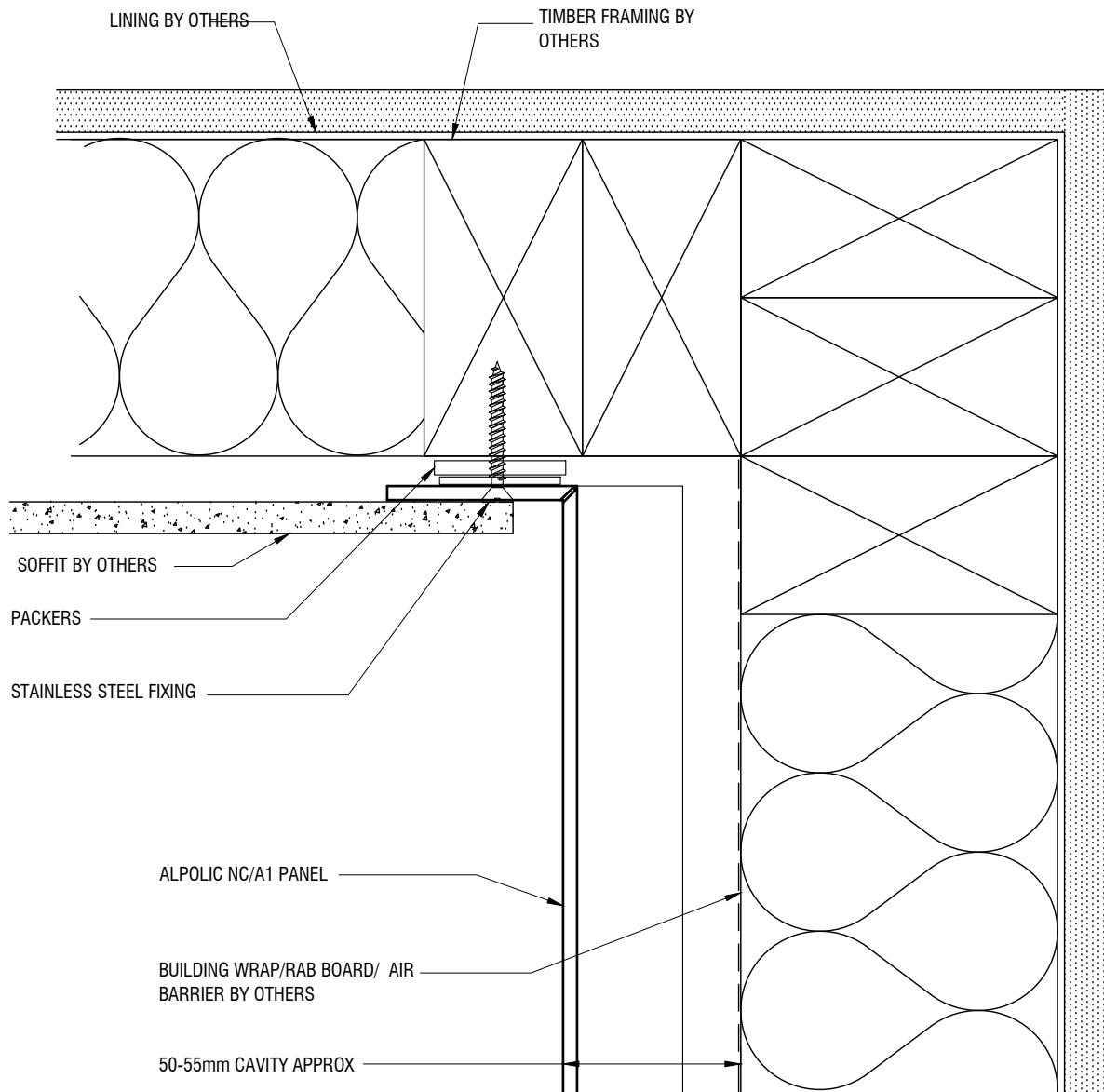
ALPOLIC NC/A1

SCALE:	1:2 @ A4
DRAWN BY:	PSP
CHECKED BY:	
DATE:	2020



DRAWING TITLE:
SOFFIT/WALL JUNCTION DETAIL-1

SHEET NO.
23



ALPOLIC NC/A1

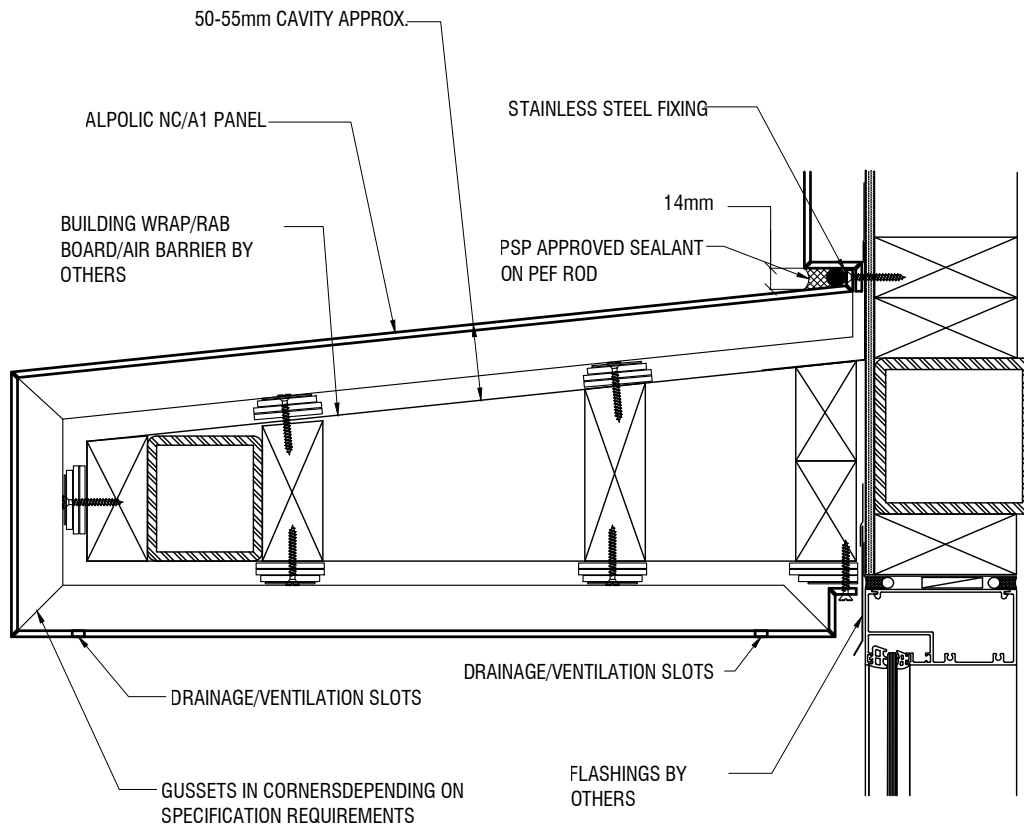
SCALE:	1:2 @ A4
DRAWN BY:	PSP
CHECKED BY:	
DATE:	2020



DRAWING TITLE:	SOFFIT/WALL JUNCTION DETAIL-2
----------------	-------------------------------

SHEET NO.	24
-----------	----





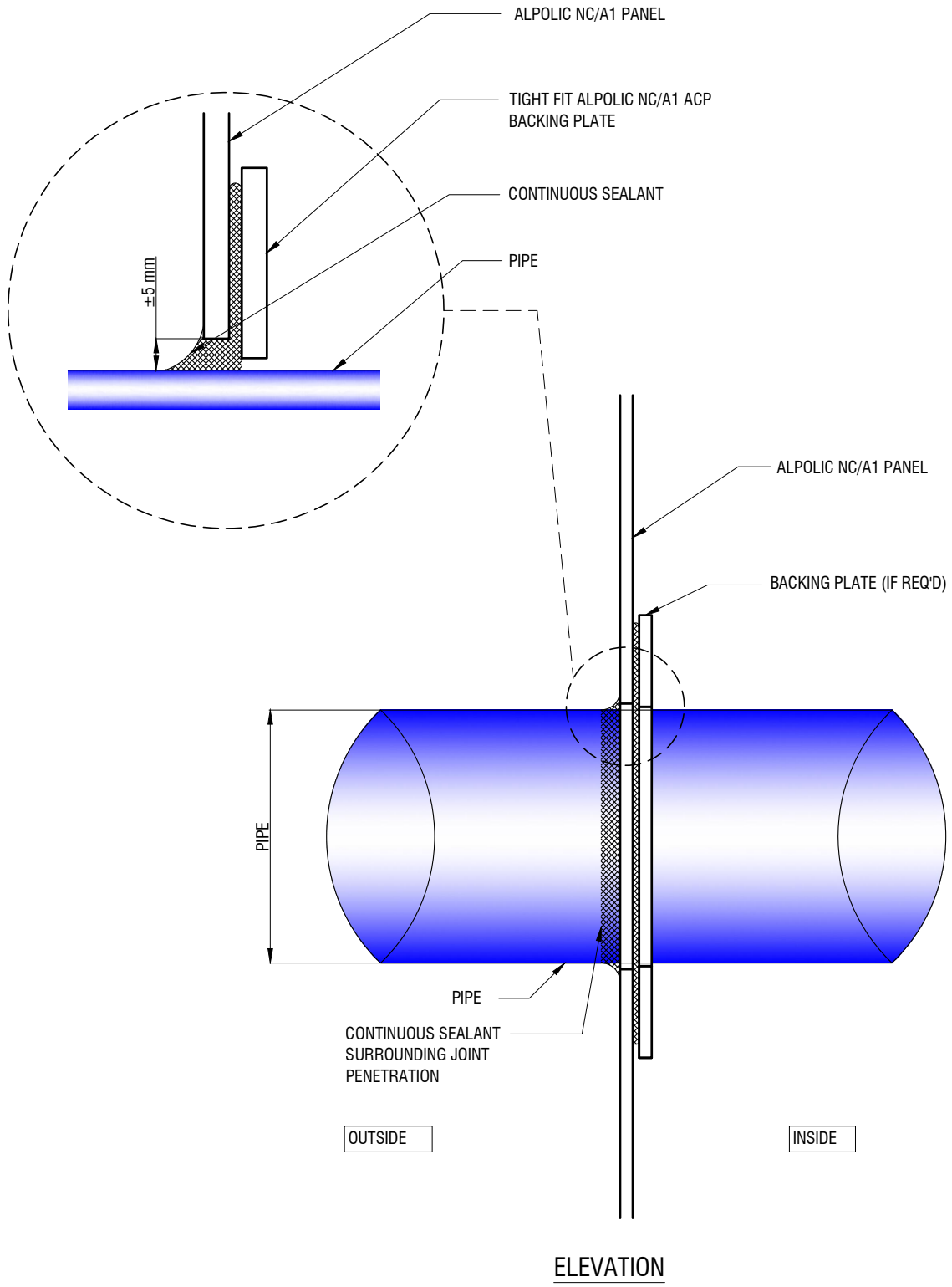
ALPOLIC NC/A1

SCALE:	1:5 @ A4
DRAWN BY:	PSP
CHECKED BY:	
DATE:	2020



DRAWING TITLE:
TYPICAL EYEBROW DETAIL

SHEET NO.
25



ALPOLIC NC/A1

SCALE:	1:2 @ A4
DRAWN BY:	PSP
CHECKED BY:	
DATE:	2020



DRAWING TITLE:
STANDARD PENETRATION DETAIL

SHEET NO.
26