

Handrail Bracket - Capri SS  
Product Code: HBC

HBC handrail bracket coned flange

Weld on

AISI304 and AISI316 stainless steel

Corrosion resistant - manufactured from high quality stainless steel

Available in satin and mirror finish

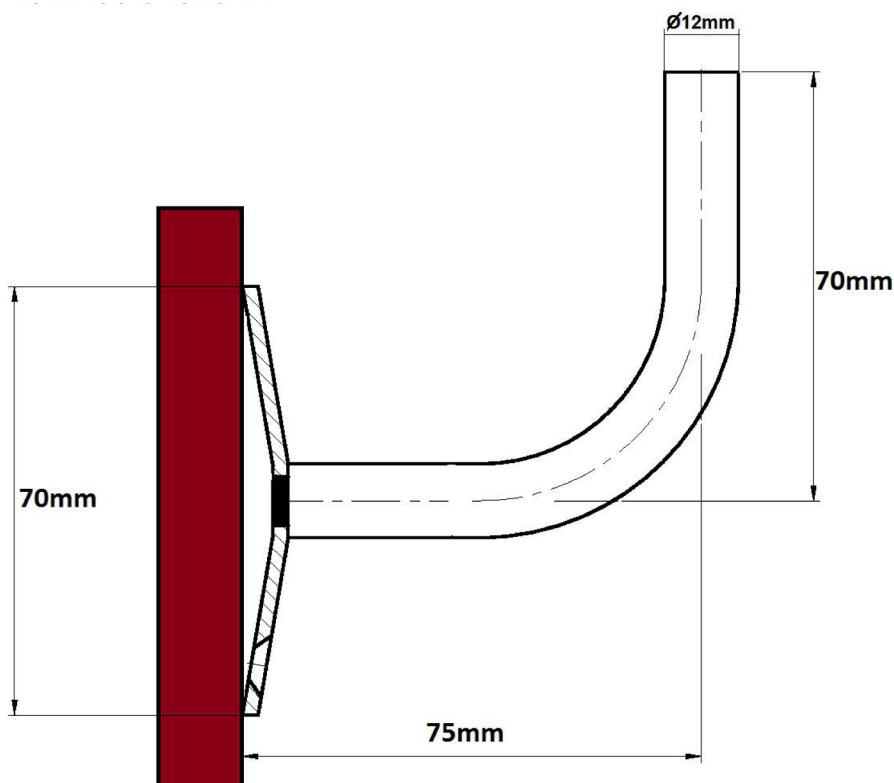
Mild steel options also available

This handrail bracket complies with BIA acceptable solutions D1/AS1



### HBC Handrail Bracket

- Coned base
- 3 countersunk holes for easy fixing to wall stud
- 12mm diameter rod
- Weld on
- Recommended spacing maximum 1000mm



Also available with saddles to fit flat or curved tube

