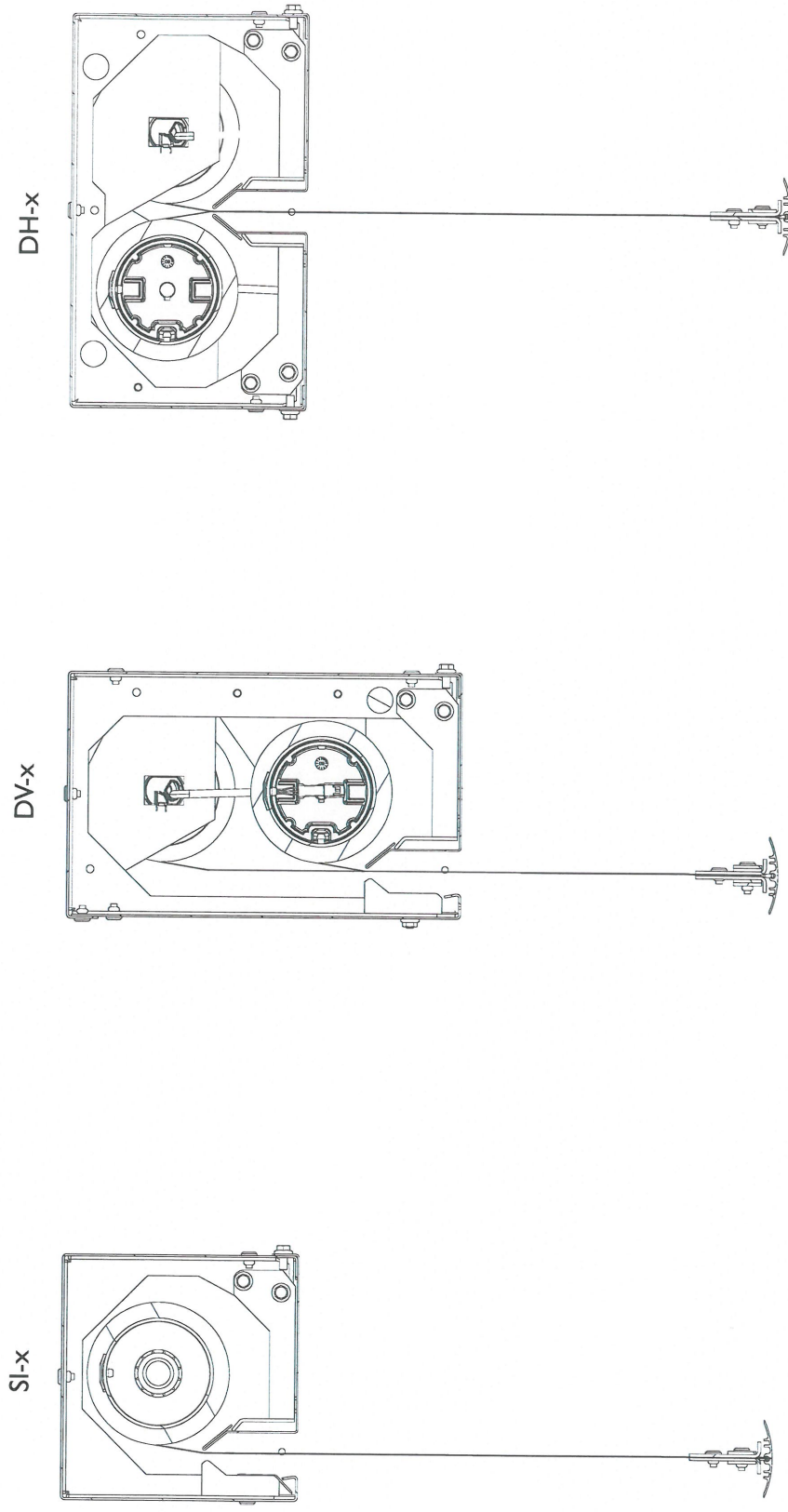


Headbox type SI / DH / DV

Depending on the height of the unit and the temperature classes, either the **type N** casing or the larger **type L** casing are used.



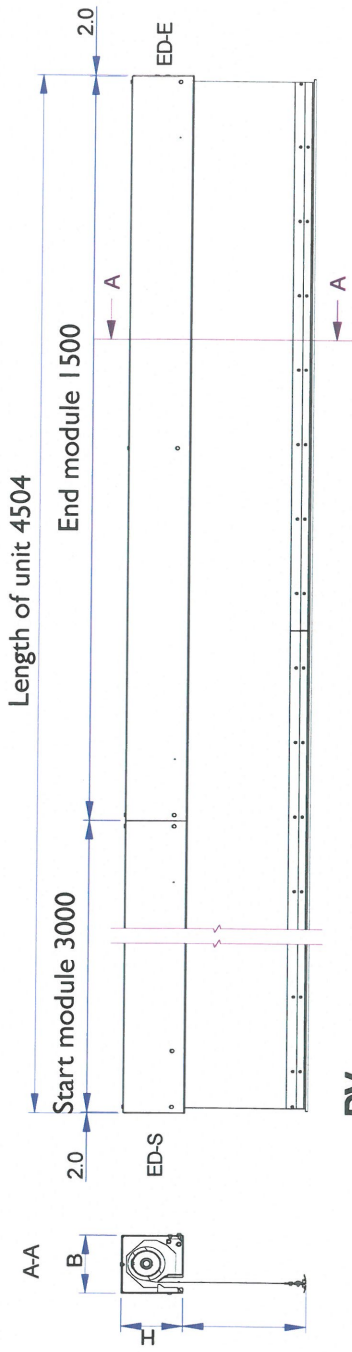
Casing dimensions

	Width [B]	Height [H]
SI-N	155	150
SI-L	180	185

	Width [B]	Height [H]
DV-N	155	250
DV-L	180	300

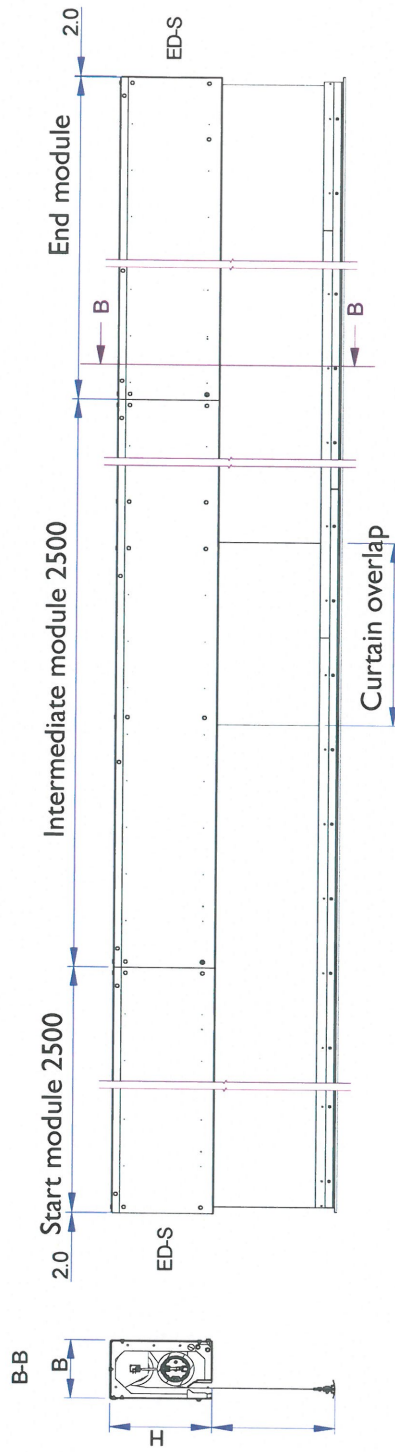
	Width [B]	Height [H]
DH-N	250	150
DH-L	300	185

SI



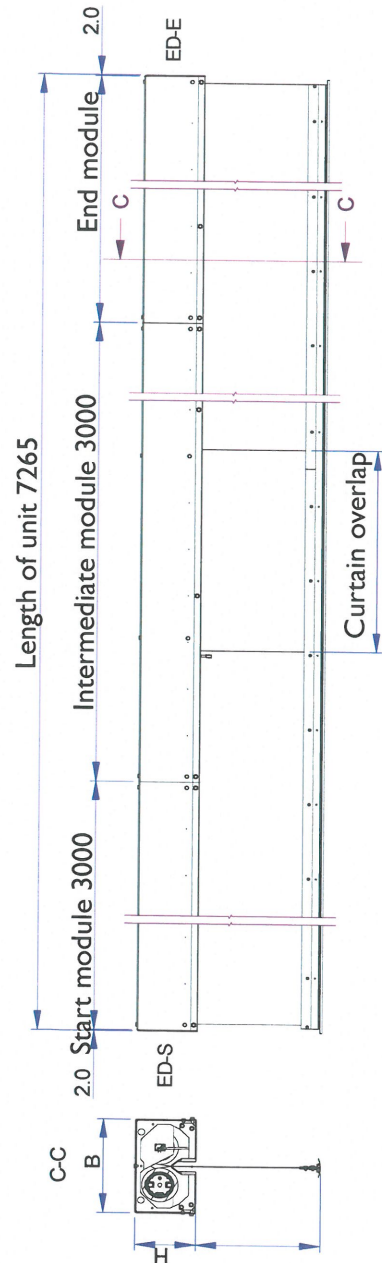
Curtain drop

DV



Curtain drop

DH



Curtain

Attaching the access panels

The bottom access panels are attached to the casing by means of screws on the side of the casing.

