

DD-20 & 32 – Supply Grilles & Registers

Grille - Two Sets of Louver Blades

Model: DDL-20

Two sets of louver blades. Front set parallel to long dimension. Rear set parallel to short dimension. All louver blades individually adjustable for any degree of deflection.

Model: DDS-20

Same as DDL-20 except front louver blades parallel to short dimension, rear parallel to long dimension.

Register - Two Sets of Louver Blades

Model: DDL-20/OBD

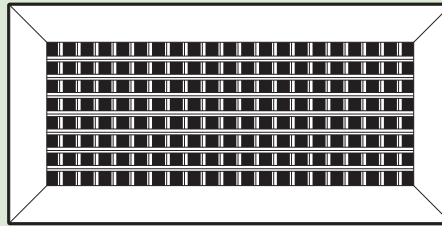
Two sets of louver blades. Front set parallel to long dimension. Rear set parallel to short dimension. All louver blades individually adjustable for any degree of deflection. Opposed blade damper, screwdriver operated from face.

Model: DDS-20/OBD

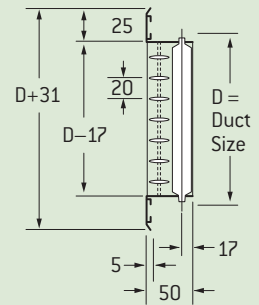
Same as DDL-20/OBD except front louver blades parallel to short dimension, rear parallel to long dimension.

All Aluminium. 20mm Airfoil Louvers

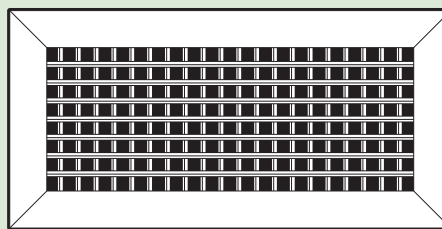
Face View, DDL20



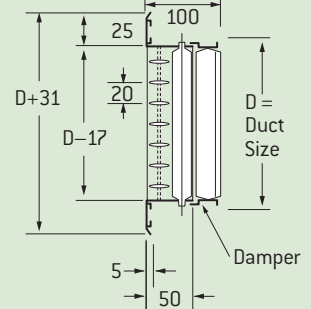
End View, DDL20



Face View, DDL20/OBD



End View, DDL20/OBD



All Aluminium. 32mm Airfoil Louvers

Grille - Two Sets of Louver Blades

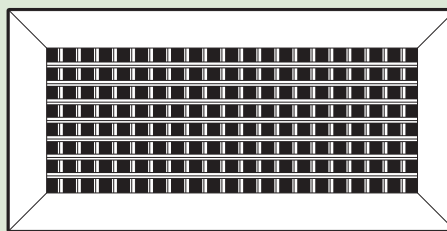
Model: DDL-32

Two sets of louver blades. Front set parallel to long dimension. Rear set parallel to short dimension. All louver blades individually adjustable for any degree of deflection.

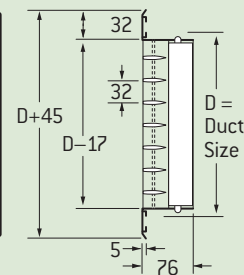
Model: DDS-32

Same as DDL-32 except front louver blades parallel to short dimension, rear parallel to long dimension.

Face View, DDL32



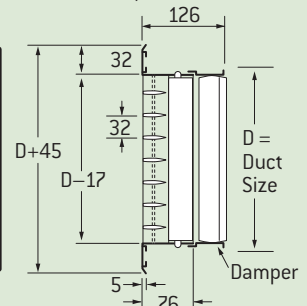
End View, DDL32



Face View, DDL32/OBD



End View, DDL32/OBD



Register - Two Sets of Louver Blades

Model: DDL-32/OBD

Two sets of louver blades. Front set parallel to long dimension. Rear set parallel to short dimension. All louver blades individually adjustable for any degree of deflection. Opposed blade damper, screwdriver operated from face.

Model: DDS-32/OBD

Same as DDL-32/OBD except front louver blades parallel to short dimension, rear parallel to long dimension.