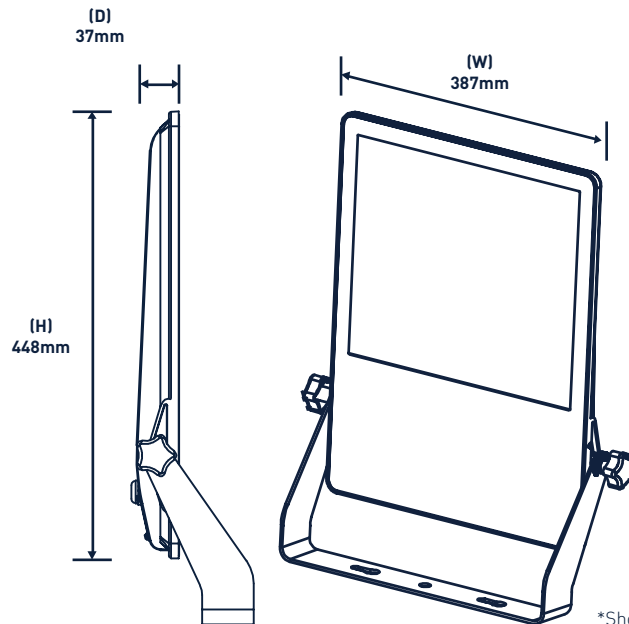




IP66 dust-tight, and protected against powerful water jets.



# INTRODUCING THE WILLIS LED FLOODLIGHT



\*Showing dimensions for the WILLIS200



**Bracket designed to be easily fixed to a structure without having to remove the light.  
50,000 Lifetime hours under normal conditions.**

## LED Floodlights

Code	Power (W)	Lumen Output (lm)	Beam Angle	Colour Temp. (K)	IP Rating	Height (mm)	Width (mm)	Depth (mm)
WILLIS10	10	1000	120°	5000	IP66	115	186	21
WILLIS30	30	3000	120°	5000	IP66	115	186	21
WILLIS50	50	6000	120°	5000	IP66	200	211	30
WILLIS100	100	12,000	120°	5000	IP66	250	260	30
WILLIS150	150	18,000	120°	5000	IP66	313	309	35
WILLIS200	200	24,000	120°	5000	IP66	448	387	37

• 3 Year Warranty

\*All Willis LED Floodlights supplied with 1m flex (stripped and tinned)

## Junction Boxes

Code	Height (mm)	Width (mm)	Depth (mm)	Material	IP Rating	Trade Price (\$)
49040201	80	80	52	Glass Fibre Reinforced Polycarbonate	IP65	27.10

Code	Height (mm)	Width (mm)	Depth (mm)	IP Rating	Trade Price (\$)
33240701	75	75	37	IP55*	4.75

\*IP55 when used with a suitable silicon sealant or PVC conduit glue



## Distance Gripper Clip

Code	Conduit Ø (mm)	Box Qty.	Material	Trade Price (\$)
30800	20	200	Halogen Free PA 6, UV-Stabilised	1.35
30840	25	100		1.70



## Single Fastening Clamp

Code	Clamping Range (mm)	Box Qty.	Material	Trade Price (\$)
30140	20-25	200	Halogen Free PP, UV-Stabilised	0.95



## Dowel Fastening Nail

Code	Nail Length (mm)	Box Qty.	Material	Trade Price (\$)
30340	40	200	Halogen Free PA 6, UV-Stabilised	0.60



## Board Anchors

Code	Length (mm)	Screw Ø (mm)	Box Qty.	Material	Trade Price (\$)
9080	30	3.5-4.5	100	Galvanised Steel	1.00
9082	43	3.5-4.5			2.10



\*\*All trade prices (\$) exclude GST



# VYNCO

## **Auckland Office**

9 Levene Place, Mt Wellington, Auckland 1061  
PO Box 12 249, Penrose, Auckland 1642  
P (+64) 9 525 6051 F (+64) 9 525 5799  
E [sales@vynco.co.nz](mailto:sales@vynco.co.nz)

## **Christchurch Office**

388-396 Tuam Street, Phillipstown, Christchurch 8011  
PO Box 9022, Tower Junction, Christchurch 8149  
P (+64) 3 379 9283 F (+64) 3 379 6838  
E [sales@vynco.co.nz](mailto:sales@vynco.co.nz)

find us:   #VYNNNOVATION