

Brio®

Brio® where ideas unfold

Brio® Open Rail

Top hung straight sliding architectural systems
for panels up to 150kg

About us

Brio® where ideas unfold

Watch your adventurous architectural ideas unfold into exciting reality with the Brio range of sliding and folding door hardware.

Brio is passionate about shaping the spaces in which people live, work and play. With subsidiaries in the UK, USA and New Zealand – Brio is recognised by architects worldwide as a leading design and manufacturing company.

Brio's R&D department brings a strong design

element to the business, developing and testing ground breaking concepts that continue to be at the forefront of the industry.

So it's no surprise our name Brio translates to Energy, Spirit and Vitality – the core values that drive us to always discover new solutions for our customers.

We are committed to the continuous improvement of quality. That is why Brio headquarters in Sydney is certified to Quality Management System AS/NZ ISO 9001: 2008.

Brio is a registered trademark of RMD Industries Australia

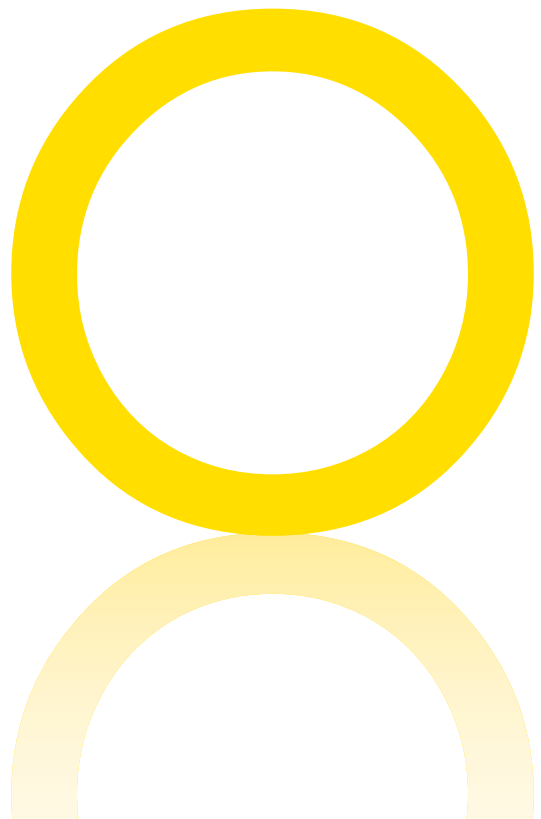




Brio® Open Round Rail Timber

With easy installation and exposed rail design, the versatile Brio Open Round Rail Timber is suitable for timber panels in the home or office. The sealed precision bearing and nylon inlaid tyre ensure the 304 stainless steel rollers will operate smoothly and quietly for years to come.

A brushed stainless steel round rail centralises the panel while concealing the support brackets. Heavy duty door stops and an array of bottom guide options make the Brio Open Round Rail Timber practical for any application for panels up to 100kg.









Brio® Open Round Rail Glass

Frameless glass panels create a timeless style suited to today's minimalist trend. Whether in an office space or bathroom suite, Brio Open Round Rail Glass will enhance the minimalist appearance with 304 stainless steel strap fixings and exposed rail design.

The universal stainless steel guide makes this system suitable for toughened glass panels of 8, 10 and 12mm thick, up to a capacity of 100kg. The brushed stainless steel round rail and sealed precision bearing with nylon inlaid tyre will perform effortlessly every time.

Brio® Open Square Rail Timber

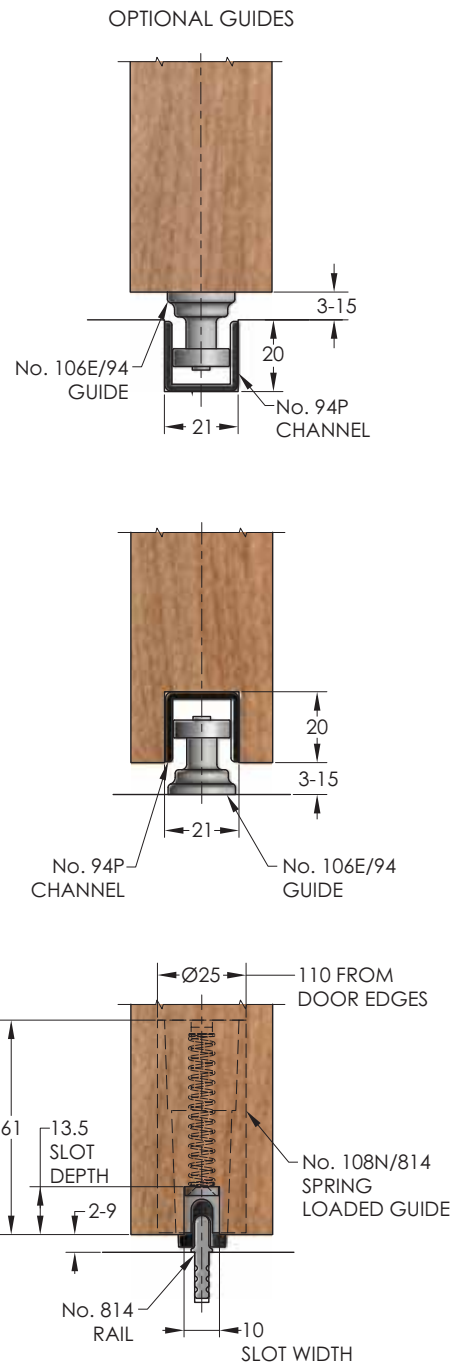
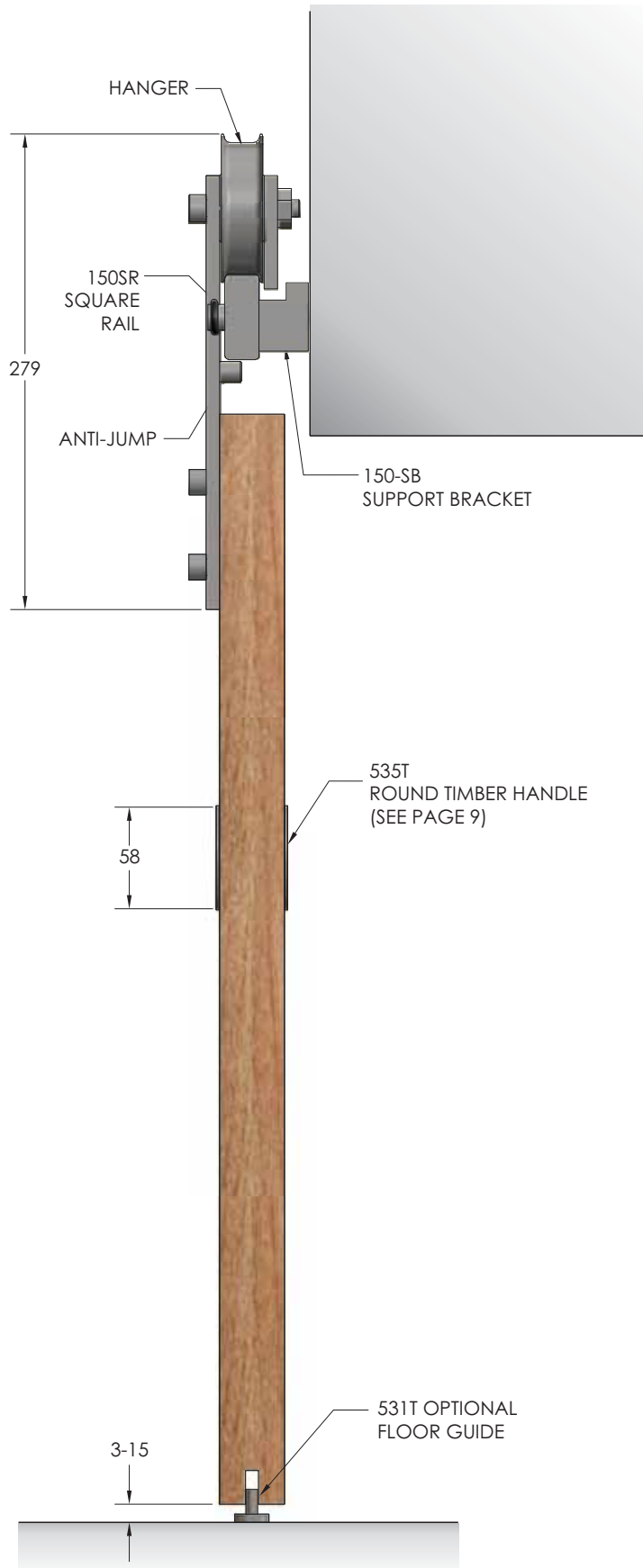
The heavy duty industrial appearance of the Brio Open Square Rail Timber will suit any contemporary interior and with capacity of 150kg panels at 2m wide, the system is sure to impress. Exposed precision bearings and 304 stainless steel strap fixings offer a unique industrial aesthetic which is in high demand for residential and commercial applications.

A multitude of guides will allow these large panels to operate with or without a floor channel and so interiors are enhanced with uninterrupted flooring. Long life cycle and quality performance are assured with this new and robust system whether used in a rustic interior or modern workplace.



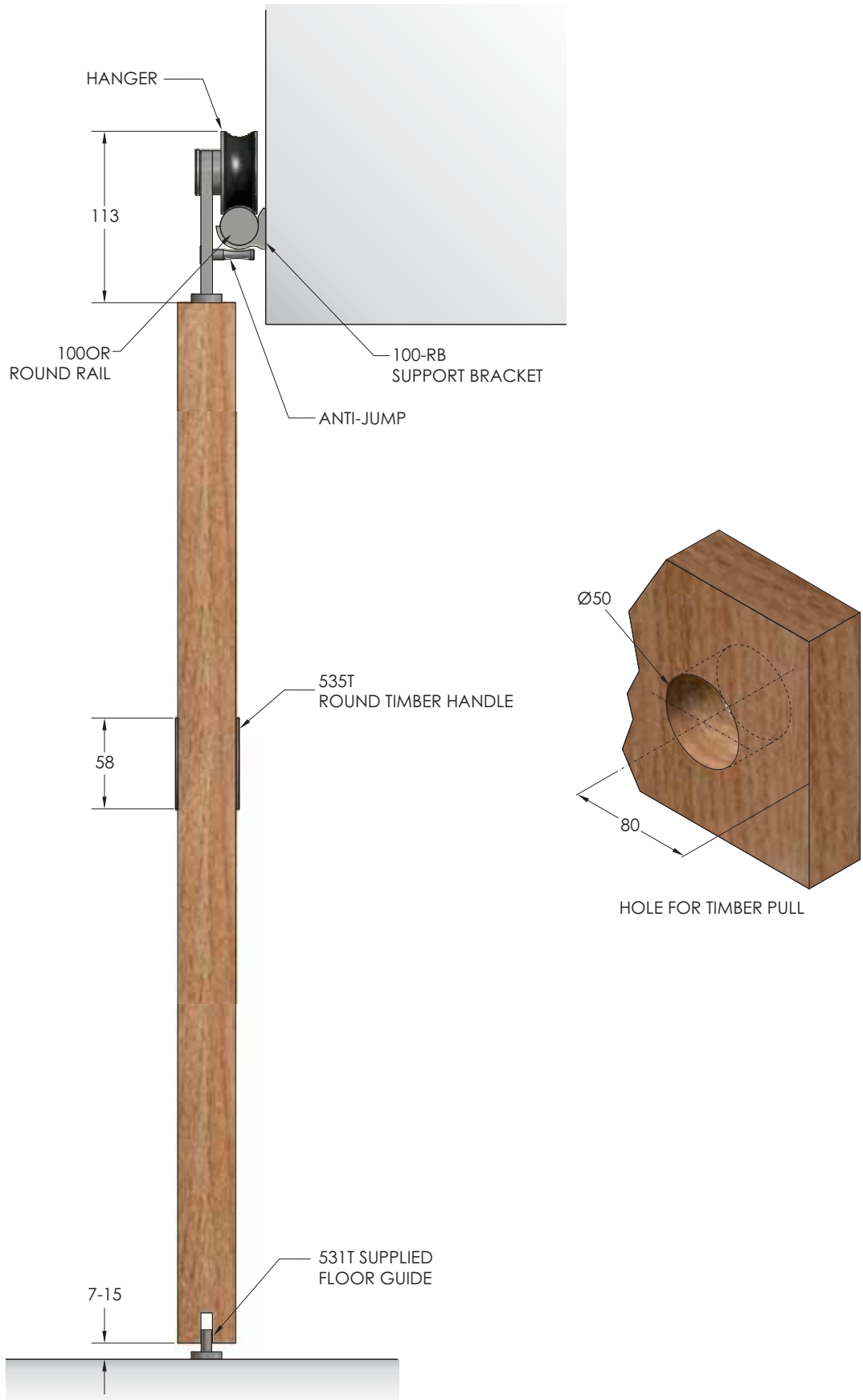
Open Square Rail Timber

OST150 Pack Shown



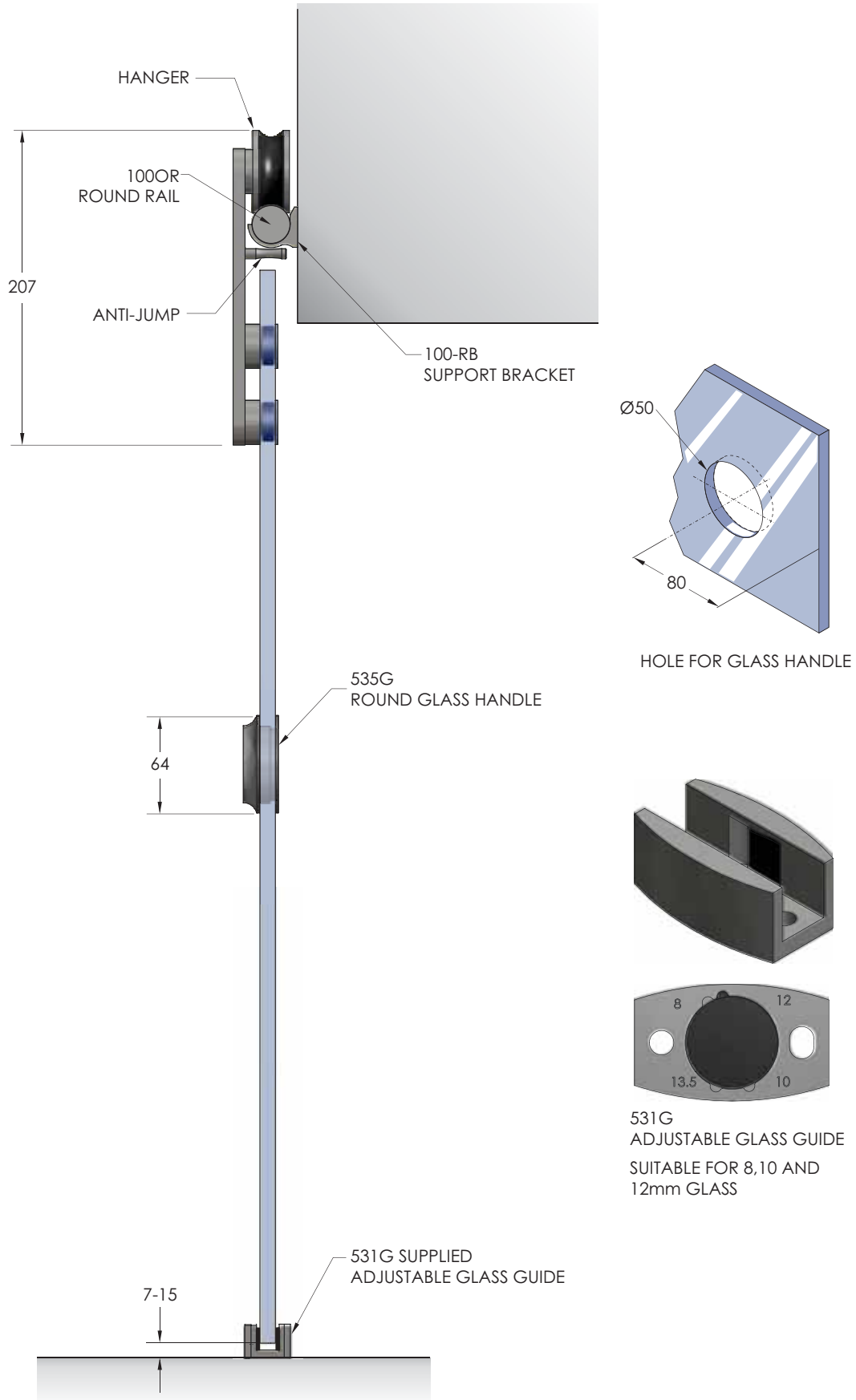
Open Round Rail Timber

ORT100 Pack Shown



Open Round Rail Glass

ORG100 Pack Shown



Specifications

Open Rail

Panel Specification	Glass	Timber
Maximum Panel Weight	100kg	150kg
Maximum Panel Height	3000mm	3000mm
Maximum Panel Width	2000mm	2000mm
Maximum Panel Thickness	12mm	44mm
Minimum Panel Weight	8mm	35mm
Pack includes 2 hangers, doorstops, door guide (531T), handle, brackets and fixings		
Single Panel for Round Rail	ORG100	ORT100
Pack includes 2 hangers, doorstops, handle, brackets and fixings		
Single Panel for Square Rail	-	OST150
Optional Guides		
Stainless Steel Sawcut Guide		531T
Stainless Precision Bearing		106E/94
Nylon Spring Loaded Guide		108N/814
Channel for Optional Guides		
Polypropylene (for 106E/94)		94P
Anodised Aluminium support and polypropylene (for 106E/94)		94PPA
Anodised Aluminium Rail (for 108N/814)		814
Standard Lengths		2000mm, 3000mm, 4000mm and 6000mm
Rail	Round	Square
2000mm Stainless Steel	100OR-20	150SR-20
2500mm Stainless Steel	100OR-25	150SR-25
3000mm Stainless Steel	100OR-30	150SR-30
4000mm Stainless Steel	100OR-40	150SR-40
Support Bracket (1 required for every 500mm on rails 2.5m or longer)		
Individual brackets with fixings	100-RB	150-SB

Chart for glass panel sizes

Panel Thickness	Max Area	Max Height	Max Width*
8mm (20kg/m ²)	5m ²	3m	1.7m
10mm (25kg/m ²)	4m ²	3m	1.3m
12mm (30kg/m ²)	3.3m ²	3m	1.1m

*Max width increases as height decreases

Brio®

Brio – Australia

PO Box 140, Regents Park NSW 2143
C5 - C7, Regents Park Estate, 391 Park Road,
Regents Park, NSW 2143, Australia.

Phone +61 2 8718 6718 Fax +61 2 8718 6719

www.brio.com.au

email: sales@brio.com.au

Brio Group Brio Group, a division of RMD Industries Pty Ltd ABN 31 004 313 937

Brio RMD (UK) Ltd

Unit 30 Gateway West, Kingfisher Boulevard, Newburn Riverside,
Newcastle Upon Tyne, NE15 8NZ, United Kingdom

Phone +44 (0) 191 2291224 Fax +44 (0) 191 2677891

www.briouk.com

email: sales@briouk.com

Brio RMD (UK) Limited trading as Brio, is a subsidiary of the Brio Group, a division of RMD Industries

Brio USA Inc.

85 Mushroom Blvd

Rochester, NY 14623-3201

Toll Free +1 855 586 6251 Phone +1 585 319 5599 Fax +1 585 319 5741

www.briousa.com

email: sales@briousa.com

Brio USA Inc. trading as Brio, is a subsidiary of the Brio Group, a division of RMD Industries

Brio NZ

26C Neil Park Drive

East Tamaki, Auckland

Phone +64 9 277 0040 Fax +64 9 277 0140

www.brionz.com

email: sales@brionz.com

Brio NZ trading as Brio, is a subsidiary of the Brio Group, a division of RMD Industries

Brio is a registered trademark of RMD Industries Pty Ltd