

# Rely on reach

Reach gen2, Reach Compact

Product Guide





# Reach

Reach Powercore gen2

Reach Compact Powercore

Reach luminaires deliver exceptional light that transforms thousands of structures around the world—creating beauty and getting attention.

2

**Introduction**

5

**Reach delivers**

6

**What makes Reach  
different?**

7

**Benefits of choice**

8

**Meet the family**

13

**Advanced  
technology**

14

**Key features**

16

**Maximizing control**

18

**Reach showcase**

26

**Reach gen2  
specifications**

28

**Reach Compact  
specifications**

30

**Configuration and  
accessories**









# Looking for bright, beautiful light that attracts attention? **Reach delivers.**

Take a close look at almost any urban environment and you'll see Reach LED luminaires at work, providing exterior floodlighting, spotlighting, wall washing, and grazing. Reach long-throw exterior luminaires are some of the world's most popular LED lighting solutions—and have led the marketplace for more than a decade. Why?

Because Reach luminaires are powerful, rugged, and flexible. Choose the type of light you need—RGBW, RGBA, RGB, iW, eW, and eColor. Choose the form factor that integrates with your specific project with Reach or Reach Compact luminaires. No matter what Reach luminaire you choose, you get high performance and proven reliability. That's why lighting designers and building owners rely on the Reach family to deliver exceptional light that transforms structures around the world.

Ask our many customers what the Reach family—including Reach Powercore gen2 and Compact Powercore luminaires—does best and you'll get a lot of different opinions. They're using Reach luminaires to deliver white, color, and dynamic color light. Some rely on Reach for floodlighting tall buildings and structures\*. Others use Reach luminaires to spotlight specific architectural details, adding visual interest to a structure's exterior. You'll also find designers using Reach luminaires to bring dynamic color wall washing to exterior walls, or grazing that highlights exterior textures.

#### **Delivering bright LED light—and proven reliability**

These diverse applications highlight a key attribute that runs throughout the entire Reach family of luminaires—flexibility. Reach delivers remarkably bright light to every application and installation. It opens up new creative opportunities for lighting designers. And since the Reach family is a proven success in the marketplace, building owners know they can rely on Reach to perform flawlessly for years—thanks to its smart design, meticulous manufacturing, and rugged housing.

\* To light the very tallest and largest structures, we offer ReachElite luminaires. [www.colorkinetics.com/reachelite](http://www.colorkinetics.com/reachelite)



# What makes Reach right for so many applications?

Reach LED luminaires have passed the rigorous test of time, achieving long-term popularity with discriminating customers—including lighting designers, building owners, architects, artists, and more. Here are just a few reasons why they choose Reach.

## **Rugged and Resilient**

Reach can handle almost any exterior lighting challenge. When you spec it for an installation, you can be confident that it will deliver the bright, targeted light you need—right from the start, and year after year.

## **Four-channel Options**

Our ColorReach Powercore gen2 luminaires give you four-channel options—RGBW and RGBA—as well as traditional RGB.

## **Exceptional Performance**

ColorReach Powercore gen2 luminaires provide a clean mixed beam with high efficiency, enabling it to deliver light exactly where it's needed. And a clean, precisely mixed beam means quality light. The result? ColorReach provides the high output needed to illuminate medium-to-large exteriors and structures.

## **Color Consistency and Accuracy**

Optibin, our LED optimization technology (see page 13) helps ensure uniformity and consistency of hue and color temperature for all Reach luminaires—taking the guesswork out of the process.

## **Integrated Power and Data**

Our Powercore technology (see page 13) controls power output to Reach luminaires directly from line voltage—quickly, efficiently, and accurately. And Color Kinetics Data Enabler Pro merges line voltage with control data, delivering it over a single cable. The result? Dramatically simpler installation and lower total system cost.

## **Choice of Form Factors**

With Reach, you can choose from a full line of light solutions (RGBA, RGBW, RGB, eColor, eW, and iW) in two form factors—traditional Reach luminaires and smaller Reach Compact luminaires. So you can choose the right size luminaire for your installation.

## **Extensive Array of Accessories**

A line of field-installed accessories designed by Color Kinetics lets you adjust your solution to meet your specific needs—including different lenses, louvers, and glare shields.

Reach luminaires are popular for a reason. High output, flexibility, and rock-solid reliability make the Reach family the right choice for exterior wall washing, floodlighting, spotlighting, and grazing—now and far in the future.





# The benefits of choice

Reach gen2 and Reach Compact come in six different light options, and can be fitted with an array of accessories specifically designed for the luminaire family. So there are many options to choose from when selecting the ideal Reach luminaire for the job.

When it comes to color, the six available light output options offer unique qualities that can be utilized in different ways, depending on the requirements of your installation.



**RGBW** luminaires add a separate white LED creating better-quality whites compared to RGB.



**RGBA** luminaires add a separate amber LED which expands the available range of colors to include warmer tones, such as rich gold, yellow, and orange shades.



**RGB** luminaires are the standard RGB option for intensely saturated light.



**IntelliWhite** luminaires combine channels of warm, neutral, and cool white LEDs, offering a range of color temperatures that can be easily adjusted.



**Essential White** luminaires offer a single channel of white light available in 2700 K or 4000 K. Custom configurations with custom channels of white or color LED sources are also available from 3000 K to 6500 K to support special applications.



**Essential Color** luminaires offer intensely saturated solid red, green, blue, or amber light for accent and other special applications.

# Reach Further:

## Exploring Reach Powercore gen2 and Reach Compact Powercore

The Reach Powercore gen2 and Reach Compact families includes advanced ColorReach luminaires that offer multiple four-channel options (RGBA, RGBW) as well as traditional RGB. Plus, there's eColor Reach Powercore gen2 for dedicated red, green, blue, and amber output. These options give you the precise type of color you need for a specific project—as well as all the core capabilities and strengths of Reach.

**ColorReach Powercore gen2, RGBW**  
**ColorReach Compact Powercore, RGBW**  
Combine color-changing and white light



With an impressive maximum light output of 11,432 lumens, **ColorReach Powercore gen2, RGBW** delivers full-color, dynamic light output—as well as quality white light—to a wide range of exterior applications. These exterior-rated LED luminaires are a great choice for exterior floodlighting, spotlighting, wall washing, and grazing. And when you choose these luminaires you get proven reliability that has earned our Reach luminaires an unequalled reputation for quality and reliability.



## ColorReach Powercore gen2, RGBA ColorReach Compact Powercore, RGBA

Create a warmer ambiance by accentuating amber tones



With its maximum light output of 10,144 lumens, **ColorReach Powercore gen2, RGBA** supports a wide range of exterior floodlighting, spotlighting, wall washing, and grazing applications, providing years of reliable performance.

ColorReach Powercore gen2, RGBA luminaires add a separate amber LED that expands the available range of colors to include warmer tones, such as rich gold, yellows, and oranges.

## ColorReach Powercore gen2, RGB ColorReach Compact Powercore, RGB

Choose traditional RGB for simple color installations



The Reach family also includes **ColorReach Powercore gen2, RGB**—a traditional color luminaire that outputs up to 9,380 lumens. After all, not all applications require four-channel luminaires. ColorReach Powercore gen2, RGB gives you the proven strengths and reliability of ColorReach in a traditional RGB solution that delivers intensely saturated light. It's an economical choice for a range of exterior applications. And it's the right choice when supplementing RGB legacy installations with additional luminaires.

		ColorReach gen2	ColorReach Compact
<b>RGBW</b>			
Lumens	5° native, no spread lens	11,432	5,553
Efficacy (lm/W)		48.7	41.1
<b>RGBA</b>			
Lumens	5° native, no spread lens	10,144	4,993
Efficacy (lm/W)		42.2	36.6
<b>RGB</b>			
Lumens	5° native, no spread lens	9,380	4,658
Efficacy (lm/W)		34.7	36.4
Power Consumption		290 W (CQC), 270 W (UL/CE)	130 W (CQC), 135 W (UL/CE)



## **iW Reach Powercore gen2** **iW Reach Compact Powercore**

Get high-performance intelligent white light



**iW Reach Powercore gen2** luminaires deliver tunable white light. Channels of warm, neutral, and cool white LEDs produce temperatures ranging from 2700 K to 6500 K, offering the greatest possible light intensity at all temperatures. Fixture brightness can be varied while maintaining constant temperature.

## **eW Reach Powercore gen2** **eW Reach Compact Powercore**

Cover any exterior with impressive solid white light



For many architectural and landscape applications, high-quality white LED light is the right solution. Today's white-light LED luminaires provide powerful new capabilities that go far beyond traditional white light. **eW Reach Powercore gen2** luminaires provide a maximum output of 14,646 lumens, delivering washes of white light in color temperatures ranging from a warm 2700 K to a cool 6500 K\*. A full range of accessories allow for customizable beam angles for floodlighting, spotlighting, wall washing, and grazing. And you can dim fixtures from 1% to 100% smoothly and accurately via DMX with Color Kinetics controllers.

\*2700 K and 4000 K configurations standard. Custom channels of white or color LED sources are also available





The Empire State Building design is a registered trademark and used with permission by ESBC  
 Photography: John Brandon Miller

**eColor Reach Powercore gen2**  
**eColor Reach Compact Powercore**

Output solid red, green, blue, and amber light



**eColor Powercore gen2** is an exterior-rated LED luminaire that delivers high-quality light output in solid red, green, blue, and amber—making it perfect for simple exterior installations that require a specific color.

		<b>Reach gen2</b>	<b>Reach Compact</b>
<b>eW</b> (Essential White)			
Lumens	4000 K, 5° native, no spread lens	14,646	7,441
Efficacy (lm/W)		60.9	59.8
CRI		79.5	82.4
<b>iW</b> (Intelligent White)			
Lumens	5° native, no spread lens	14,880	7,425
Efficacy (lm/W)		64.8	62.1

**eColor** (Essential Color)

For help estimating light output and distribution please contact [Color Kinetics Applications Engineering Services](#).







## Reach luminaires benefit from our advanced technologies

Color Kinetics is setting new standards for consistency and accuracy by developing advanced technologies that are integrated into our luminaires, including the Reach family. These technologies work together to deliver the ever-escalating levels of accuracy required by our customers—and their most innovative and ambitious projects.

**Optibin**—our LED optimization technology—begins the color consistency process by grouping (or binning) LEDs by flux as well as center wavelength. This proprietary binning optimization process uses an advanced bin selection formula that exceeds industry standards for chromaticity to guarantee uniformity and consistency of hue and color temperature for all our luminaires. ***Integrated into all Reach and Reach Compact luminaires.***

**Powercore**—our patented approach to power output—simplifies power by controlling power output to luminaires directly from line voltage, a faster, more efficient, and accurate approach. Powercore technology delivers 100-277V, 50-60HZ auto-ranging power throughout the Reach family. ***Integrated into all Reach and Reach Compact luminaires.***

To find out how innovative technologies within our advanced luminaires can help you do more, visit [www.colorkinetics.com/Learn](http://www.colorkinetics.com/Learn).

# Reach Take a Closer Look

## The Power of Two.

Thanks to the unique split design of the Reach Powercore gen2 luminaires, each half is individually addressable and controllable. For instance, you could use one spread lens on the luminaire's lower half to bathe a large façade with color at street level, and a different spread lens to project a contrasting or complementary color hundreds of feet up an exterior wall.



## Extensive Options and Accessories.

Color Kinetics accessories create new possibilities for designers and architects. To complement the native 5° lens, six different diffuser lenses can customize your luminaire to produce 8°, 13°, 23°, 43°, 63°, and 5° x 17° (asymmetric) beam angles. Or add or combine a louver, full glare shield, or half glare shield to reduce trespass light.





**Simplified Electronics.**

Integrated, patented Powercore technology controls power output to fixtures directly from line voltage—rapidly, efficiently, and accurately. The Color Kinetics Data Enabler Pro merges line voltage with control data and delivers them to fixtures over a single standard cable, dramatically simplifying installation and lowering total system cost. ColorReach Powercore gen2 accepts a universal power input range of 100 to 277 VAC.



**Rugged Form Factor.**

The heavy-duty cast aluminium housing meets the ASTM B117 standard for > 1,500 hours of corrosion resistance and ANSI C136.31-2010 standard with a 3G vibration rating.

**All-in-One.**

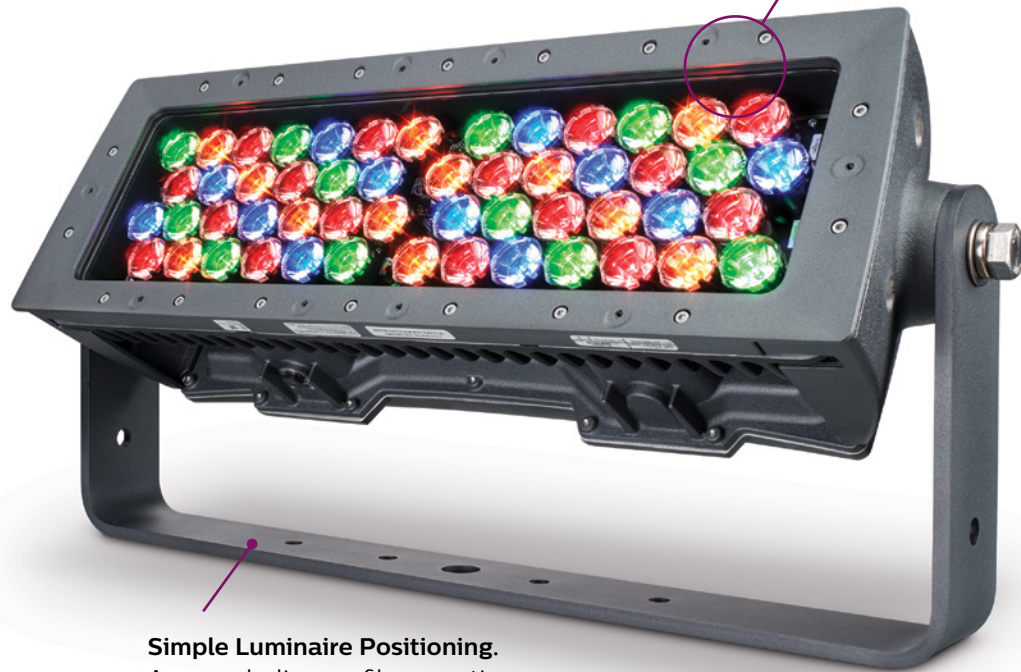
If you need a smaller form factor, the single-luminaire design of our Reach Compact models gives you the flexibility required in smaller spaces, or for smaller structures.

**Simple Luminaire Positioning.**

A rugged, slim-profile mounting bracket allows simple positioning and luminaire rotation through a full 360°. Side locking bolts reliably secure luminaires with a standard wrench.

**Complete Solution.**

Works seamlessly with the complete Color Kinetics line of controllers, including ColorDial Pro, iPlayer 3, and Light System Manager—as well as third-party controllers.



# Maximize your Reach luminaire with our full line of controllers and more

To unlock the full potential of your Reach luminaire, you need the right components to power and control it. Color Kinetics offers:

## Controllers

Our **Reach Powercore gen2** and **Reach Compact Powercore** luminaires work seamlessly with the complete Color Kinetics line of controllers, including ColorDial Pro, iPlayer 3, and Light System Manager—as well as third-party controllers. Our controllers bring you differing capabilities that match your specific needs, the complexity of your project, and your budget. Our controllers offer the industry-standard DMX protocol or our proprietary, scalable KiNET protocol for Ethernet networks. Because of addressing limitations, DMX is appropriate for relatively simple installations. Because it is not subject to DMX addressing limitations, Ethernet is the preferred environment for intricate color-changing light shows. And Reach luminaires can also be used with third-party controllers.

## Monitoring and Management

ActiveSite is the first ever cloud-hosted connected lighting system for architectural LED lighting installations. ActiveSite allows you to remotely monitor, manage, and maintain an installation site from anywhere in the world, using a secure web connection.

## World-class Reach luminaires

## Power/Data Supplies

For maximum efficiency, ColorReach luminaires accept Ethernet input from Data Enabler Pro, while eW Reach Powercore gen2 provides dimming control via DMX, which lets you dim fixtures smoothly and accurately down to 1% output with Color Kinetics lighting controllers, including iPlayer 3, and third-party controllers (optional Data Enabler Pro and cable required).







# Reach Showcase

## **Example 1** Illuminating and Transforming a Global Icon

The Empire State Building—one of the best-known landmarks in New York—is also one of the most innovatively illuminated, thanks to a comprehensive LED lighting solution from Color Kinetics. The critical top 30 stories of the tower are washed with dynamic color light from ColorReach Powercore gen2, RGB luminaires, while iW Reach Powercore gen2 luminaires deliver neutral white light (4000 K). ColorReach Powercore luminaires also transform the beautifully sculpted wings at the four corners of the mast, illuminating them with saturated color light, after years of darkness. Unified control of the entire lighting solution enables special event lighting, light shows, synchronized light/music, and much more.



Photography: roman\_slavik

### **Product**

---

ColorReach Powercore gen2, RGB, iW Reach Powercore gen2

---



## **Example 2** Bringing New Sparkle to One of Europe’s Largest Castles

Built in 937 A.D. and rebuilt several times, the Citadel of Namur defines Namur, the historic capital of Wallonia in Belgium. An extensive Color Kinetics lighting solution creates a spectacularly illuminated Citadel by night. More than 80 ColorReach Powercore gen2, RGBW luminaires and 150 ColorReach Compact Powercore, RGBW luminaires provide beautiful illumination of the entire historic site—as well as dynamic light shows that bring new attention and visitors.



Photography: Signify Lighting

### **Product**

---

ColorReach Powercore gen2, RGBW, ColorReach Compact Powercore, RGBW

---



# Reach Showcase

## Example 3 Revitalizing an Historic Neighborhood

The Davis Building is one of the most historic and architecturally distinguished buildings in downtown Dallas, Texas. As part of an urban revitalization plan of the downtown area, the Davis Building was renovated and upgraded with a Color Kinetics LED lighting solution. The goal of this effort was to highlight the building's original architectural details, while creating a updated, vibrant look that drew people to the building. ColorReach Compact Powercore, RGB luminaires mounted on a fifth-floor ledge wash a 12-story section of the building's façade with beams of rich, dynamic color light that provide a visual centerpiece to the lighting design.



Photography: Justin Terveen

### Product

ColorReach Compact Powercore, RGB



## **Example 4** Transforming Landmark Bridges into a Luminous Attraction

The collection of six bridges across the Arkansas River have served as critical connections for communities and commerce for more than a century. Thanks to a major collaboration between an array of civic organizations and businesses, the bridges and surrounding parks have been transformed with an extensive installation of more than 2,000 Color Kinetics luminaires. Central among them, Reach luminaires—ColorReach Powercore gen2, RGB and ColorReach Compact Powercore, RGB—provide bright, saturated dynamic light, as well as the year-after-year reliability required by a project of this grand scale.



Photography: Paul Barrows and Rick Friedman

### **Product**

---

ColorReach Powercore gen2, RGB, ColorReach Compact Powercore, RGB

---

# Reach Showcase

## **Example 5** Creating One of the World's Largest Dynamic Lighting Displays

This massive multi-use stadium features an extensive, state-of-the-art lighting solution that many consider the largest sports lighting installation in the world. Bringing visually powerful lighting to this impressive stadium requires more than 22,000 Color Kinetics LED luminaires. Among them, you'll find hundreds of ColorReach Powercore gen2, RGBW and ColorReach Compact Powercore, RGBW luminaires lighting the stadium—creating dynamic light shows to reflect the current teams playing at the stadium, or to enhance concerts or other events.



Photography: VenuesLive

### **Product**

---

ColorReach Powercore gen2, RGBW, ColorReach Compact Powercore, RGBW

---



## **Example 6** Making a Premier Office Tower Even More Impressive

The iconic, 47-story Miami Tower is home to many of Miami's most well-known and influential firms. Impressive lighting has always been part of its allure. By transitioning from silver halide lighting to a Color Kinetics LED lighting solution, building managers boosted sustainability, cut costs, and created new opportunities for dynamic lighting and customized light shows. 216 Color Kinetics LED luminaires make it happen—including 168 ColorReach Powercore gen2, RGB luminaires, which bathe the iconic building in stunning, saturated light.



Photography: New York Focus

---

### **Product**

ColorReach Powercore gen2, RGB

---

# Reach Showcase

## **Example 7** Building a Brand in the Heart of Times Square

Innovative lighting design and Color Kinetics luminaires help boost branding at Barclays US headquarters. As part of this cutting-edge project, a fifty-ton steel structure was built on top of the existing architecture, then covered with more than 60,000 square feet of white diffuser film to create curtain walls that serve as a projection scrim. 184 ColorReach Powercore luminaires and other Color Kinetics luminaires project color-changing effects on this scrim. Thanks to the innovative split-design of ColorReach Powercore luminaires, two custom spread lenses can achieve even illumination along the entire skim. The result? A luminous, visually compelling crown that tops the building, reinforces Barclays blue—and stands out from the crowd.



Photography: Courtesy of Barclays / Herring Media Group

### **Product**

ColorReach Powercore gen2, RGB



## **Example 8** Bringing Beautiful Illumination to the City of Light

Tour Main-Montparnasse is the highest building in Paris. Now it's even more visible, thanks to 58 ColorReach Powercore luminaires installed on the top floor, illuminating the tower with dynamic colors visible from more than 8 km (5 miles) away. In fact, bright, beautiful Color Kinetics lighting makes the tower visible to the 12 million inhabitants of greater Paris. The subtle, beautiful lighting design adds prestige to the building, while contributing to the ambiance of the famed neighborhood.



Photography: Xavier BOYMOND

### **Product**

---

ColorReach Powercore gen2, RGB

---

# Specifications and information

Measurements for 5° native beam angle shown. Additional beam angle measurements can be found on the respective Reach Powercore gen2 product pages.

		Lumens	Efficacy lm/w	CRI	Power
<b>ColorReach Powercore gen2, RGBW</b>		11,432	48.7	—	290 W (CQC), 270 W (UL/CE)
<b>ColorReach Powercore gen2, RGBA</b>		10,144	42.4	—	290 W (CQC), 270 W (UL/CE)
<b>ColorReach Powercore gen2, RGB</b>		9,380	34.7	—	290 W (CQC), 270 W (UL/CE)
<b>iW Reach Powercore gen2</b>		14,880	64.8	—	290 W (CQC), 270 W (UL/CE)
<b>eW Reach Powercore gen2</b>	2700 K	13,485	56.7	79.8	250 W
	4000 K	14,646	60.9	79.5	250 W
<i>Configurations with custom channels of white or color LED sources are also available</i>					
<b>eColor Reach Powercore gen2</b>		—	—	—	250 W

## General Information

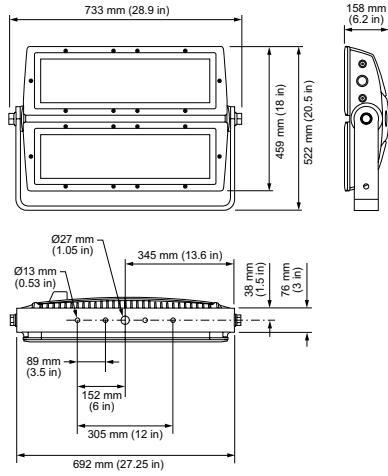
<b>Beam Angle</b>		5° (Native), 8°, 13°, 23°, 43°, 63°, 5° x 17°
<b>Input Voltage</b>	UL/CE CQC	100 to 277 VAC, auto-ranging, 50/60 Hz 100 to 240 VAC, auto-ranging, 50/60 Hz
<b>Housing Material</b>		Die-cast aluminium, powder-coated finish
<b>Lens</b>		Clear tempered glass
<b>Mechanical Impact</b>		IK07
<b>Approbations</b>		UL/cUL, FCC Class A, CE, PSE, CQC, C-Tick
<b>Environment</b>		Dry/Damp/Wet Location, IP66
<b>Weight</b>		34 kg (75 lb)
<b>Dimensions</b>	UL/CE CQC	522 x 733 x 158 mm (20.5 x 28.9 x 6.2 in) 522 x 733 x 143 mm (20.5 x 28.9 x 5.6 in)

*Height x width x depth*

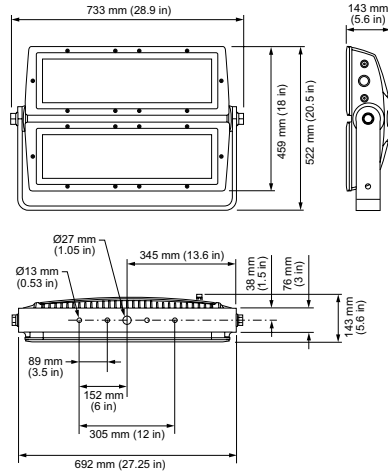


# Dimensions

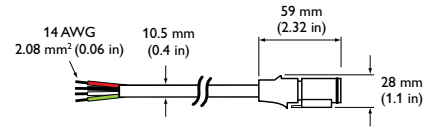
## UL/CE



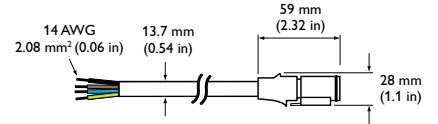
## CQC



## UL/cUL Leader cable



## CE/PSE Leader cable



## For further information

Complete details, including Installation Instructions, Specification Sheets, .ies files, and product drawings, can be found on the product page.



[ColorReach Powercore gen2, RGBW](#)



[ColorReach Powercore gen2, RGBA](#)



[ColorReach Powercore gen2, RGB](#)



[iW Reach Powercore gen2](#)



[eW Reach Powercore gen2](#)



[eColor Reach Powercore gen2](#)



[Reach gen2 and Reach Compact Accessories](#)

# Specifications and information

Measurements for 5° native beam angle shown. Additional beam angle measurements can be found on the respective Reach Compact Powercore product pages.

	Lumens	Efficacy lm/w	CRI	Power	
<b>ColorReach Compact Powercore, RGBW</b>	5,553	41.1	—	130 W (CQC), 135 W (UL/CE)	
<b>ColorReach Compact Powercore, RGBA</b>	4,993	36.6	—	130 W (CQC), 135 W (UL/CE)	
<b>ColorReach Compact Powercore, RGB</b>	4,658	36.4	—	130 W (CQC), 135 W (UL/CE)	
<b>iW Reach Compact Powercore</b>	7,425	62.1	—	125 W	
<b>eW Reach Compact Powercore</b>	2700 K 4000 K	6,562 7,441	55.8 59.8	80.1 82.4	125 W 125 W
<i>Configurations with custom channels of white or color LED sources are also available</i>					
<b>eColor Reach Compact Powercore</b>	—	—	—	130 W	

## General Information

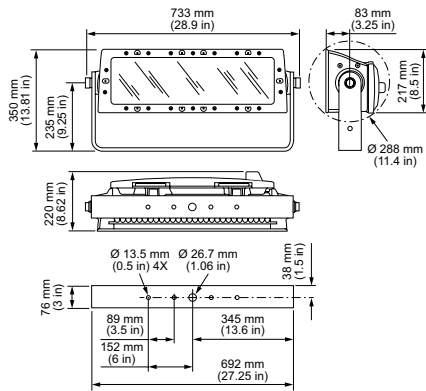
<b>Beam Angle</b>		5° (Native), 8°, 13°, 23°, 43°, 63°, 5° x 17°
<b>Input Voltage</b>	UL/CE CQC	100 to 277 VAC, auto-ranging, 50/60 Hz 100 to 240 VAC, auto-ranging, 50/60 Hz
<b>Housing Material</b>		Die-cast aluminium, powder-coated finish
<b>Lens</b>		Clear tempered glass
<b>Mechanical Impact</b>		IK07
<b>Approbations</b>		UL/cUL, FCC Class A, CE, PSE, CQC, C-Tick
<b>Environment</b>		Dry/Damp/Wet Location, IP66
<b>Weight</b>		23.4 kg (51.6 lb)
<b>Dimensions</b>	UL/CE CQC	350 x 733 x 211 mm (13.75 x 28.9 x 8.3 in) 350 x 733 x 196 mm (13.75 x 28.9 x 7.7 in)

*Height x width x depth*

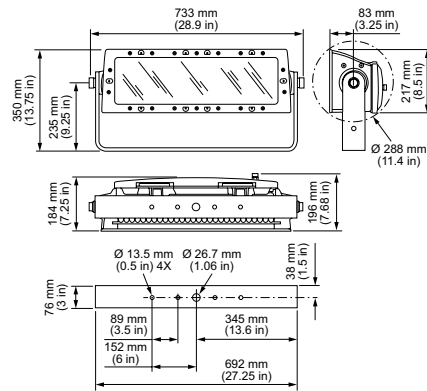


# Dimensions

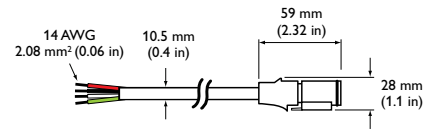
## UL/CE



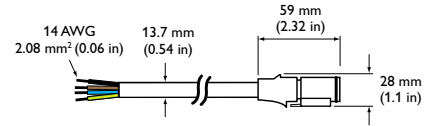
## CQC



## UL/cUL Leader cable



## CE/PSE Leader cable



## For further information

Complete details, including Installation Instructions, Specification Sheets, .ies files, and product drawings, can be found on the product page.



[ColorReach Compact Powercore, RGBW](#)



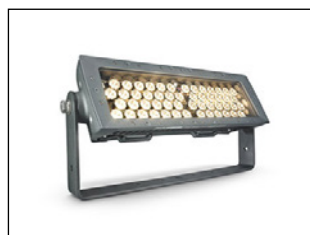
[ColorReach Compact Powercore, RGBA](#)



[ColorReach Compact Powercore, RGB](#)



[iW Reach Compact Powercore](#)



[eW Reach Compact Powercore](#)



[eColor Reach Compact Powercore](#)



[Reach gen2 and Reach Compact Accessories](#)

# Configuration and planning

Regardless of the size and complexity of your installation, the planning time you spend up front can help streamline the installation and configuration of your luminaires. Keep these points in mind as you plan your installation:

## Mounting

Ensure that the luminaire mounting locations and substrates are sufficiently sturdy to bear the weight of each Reach luminaire. Pre-drill holes in the mounting substrate if necessary, making reference to the mounting bracket dimensions. Use at least two screws to secure each luminaire, one on either side of the mounting bracket's central screw hole.

If mounting Reach luminaires on a lighting pole, make sure the pole can both support the total weight of the fixtures and withstand the maximum velocity winds to which it will be subjected.

Each **Reach gen2** luminaire weighs 34 kg (75 lb), and has an effective projected area (EPA) of 0.42 m<sup>2</sup>.

Each **Reach Compact** luminaire weighs 23 kg (51 lb), and has an effective projected area (EPA) of 0.186 m<sup>2</sup>.

## Configuration Calculator

Create a lighting design plan that identifies and locates all luminaires, Data Enabler Pro devices, and controllers. Use [Configuration Calculator](#) to determine how many luminaires you can install in a single run, and the maximum distances between Data Enabler Pro devices, luminaires, and controllers.

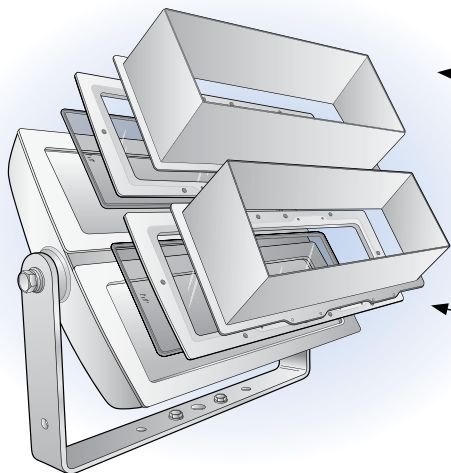
## QuickPlay Pro

Reach gen2 and Reach Compact luminaires operate in 8-bit mode by default. To address luminaires, including switching between 8-bit mode and 16-bit mode download [QuickPlay Pro](#).

## Addressing

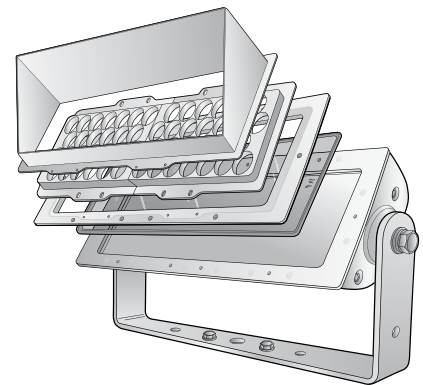
Determine whether to address luminaires and configure your lighting system offline or interactively. With offline configuration, you stage and configure your system off-site, prior to installation. Offline configuration can be convenient when luminaires are to be installed in multiple locations or locations with difficult access. Interactive configuration is typically performed by an experienced technician, after luminaires have been installed. The interactive method can save time, since you only connect and test your luminaires once.

## Reach gen2



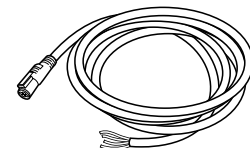
- Full Glare Shield(s)
- Half Glare Shield
- Louver
- Trim Bezel and Spread Lens

## Reach Compact



Each half of Reach gen2 luminaires is individually configurable with optional accessories. For instance, you could use one spread lens and a louver on the luminaire's lower half and a different spread lens with glare shield on the upper half.

Each Reach gen2 or Reach Compact requires a single leader cable.





## Accessories

A wide range of accessory options lets you customize Reach gen2 or Reach Compact luminaires. Accessories include masking shields, louvers, and spread lenses. For complete instructions on how to install accessories, refer to the Accessory Installation Instructions.

	Item Number	Signify 12NC
3 Conductor Leader Cable, UL/cUL, 3 m (10 ft)	108-000056-03	910503704071
3 Conductor Leader Cable, CE, 3 m (10 ft)	108-000056-04	910503704072
3 Conductor Leader Cable, UL/cUL, 15.2 m (50 ft)	108-000056-00	910503703138
3 Conductor Leader Cable, CE, 15.2 m (50 ft)	108-000056-01	910503704069
4 Conductor Leader Cable (required to digitally dim unit, w/DE Pro), UL/cUL, 3 m (10 ft)	108-000055-03	910503704066
4 Conductor Leader Cable (required to digitally dim unit, w/DE Pro), CE, 3 m (10 ft)	108-000055-04	910503704067
4 Conductor Leader Cable (required to digitally dim unit, w/DE Pro), UL/cUL, 15.2 m (50 ft)	108-000055-00	910503703137
4 Conductor Leader Cable (required to digitally dim unit, w/DE Pro), CE, 15.2 m (50 ft)	108-000055-01	910503704064
Louver (requires Trim Bezel)	120-000187-02	912400133589
Half Glare Shield (requires Trim Bezel)	120-000187-01	912400133588
Full Glare Shield (requires Trim Bezel)	120-000187-00	912400133587
Trim Bezel	120-000187-03	912400134263
8° Spread lens with bezel	120-000068-17	912400133598
13° Spread lens with bezel	120-000068-12	912400133593
23° Spread lens with bezel	120-000068-13	912400133594
43° Spread lens with bezel	120-000068-14	912400133595
63° Spread lens with bezel	120-000068-15	912400133596
5° x 17° Asymmetric Spread lens with bezel	120-000068-16	912400133597
<b>Power Supplies</b>		
Data Enabler Pro <i>(required to digitally dim unit), PG21/PG13 (metric size conduit)</i>	106-000004-01	910503701211
Data Enabler Pro <i>(required to digitally dim unit), 3/4 in / 1/2 in NPT (U.S. trade size conduit)</i>	106-000004-00	910503701210

© 2019 Signify Holding. All rights reserved. The information provided herein is subject to change, without notice. Signify does not give any representation or warranty as to the accuracy or completeness of the information included herein and shall not be liable for any action in reliance thereon. The information presented in this document is not intended as any commercial offer and does not form part of any quotation or contract, unless otherwise agreed by Signify.

All trademarks are owned by Signify Holding or their respective owners.  
DAS-000254-00 R01 01-19

