

125mm

setting the new standard
in high performance

bathroom
air extraction



new advanced

**HUMIDITY
CONTROL**
models

125mm Bathroom Fan Kits and Fans

For best results, Simx recommend these product for bathrooms.

Once installed, following the instructions supplied, the through wall fan kits and wall/ceiling mount fans meet the Healthy Homes Standard for bathroom installations in a rental property.

This product will also comply with the G4 Building Code for bathrooms.

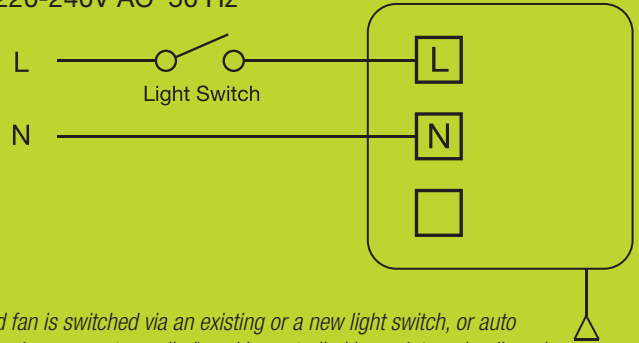


Type	Standard Switching	Timer Switching	Humidity Control
Through Wall Fan Kits	FAN7187	FAN7188	FAN7189
Wall/Ceiling Mount Fans	FAN7180	FAN7181	FAN7182



WIRING DIAGRAM

220-240V AC 50 Hz



The single speed fan is switched via an existing or a new light switch, or auto sensor, (switch and sensor not supplied) and is controlled by an internal pull cord.

The humidity control models come with an advanced humidity controller.

TECHNICAL SPECIFICATIONS

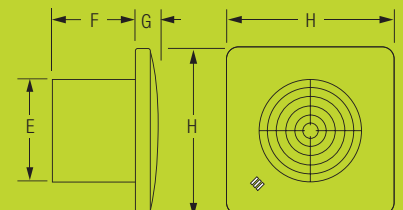
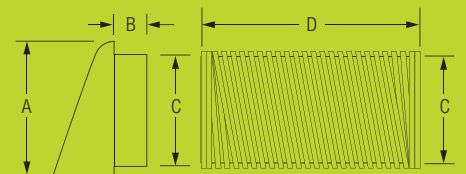
Fan Type	Max. Fan Watts (W)	Max. Fan Pressure (Pa)	Free Air Fan Performance		Specific Fan Power (W/l/s)	Sound dB(A)	IP Rating	Model	Switching	Product Code
			(l/s)	(m ³ /hr)						
Axial	15	68	54	194	0.28	38	IPX4	Fan Kit	Standard	FAN7187
									Timer	FAN7188
									Humidity Control	FAN7189
								Fan	Standard	FAN7180
									Timer	FAN7181
									Humidity Control	FAN7182

HUMIDITY CONTROL

An integral humidity controller automatically switches the fan ON when it senses a significant rapid rise in humidity that may have been triggered by a shower/bath event. The fan will stop immediately if the event is not confirmed. If the event is confirmed, then either the preset top speed, or a lower speed, will be determined as the better option for clearing the humidity created by the shower/bath event and the fan will ramp up to, and run at, that speed. After sensing that the shower/bath event has ended, the fan will continue running for a period of time, as determined by the humidity controller, as needed to clear the room of any residual humidity.

DIMENSIONS (mm)

Duct	A	B	C	D	E	F	G	H
125	160	30	125	375	120	100	29	185



E6337

Complies with AS/NZS Standards
Specifications are subject to change without notice.

Distributed by Simx Limited

PO Box 14347, Panmure, Auckland 1741, New Zealand

p +9 259 1660 | e enquiry@manrose.co.nz | w www.manrose.co.nz