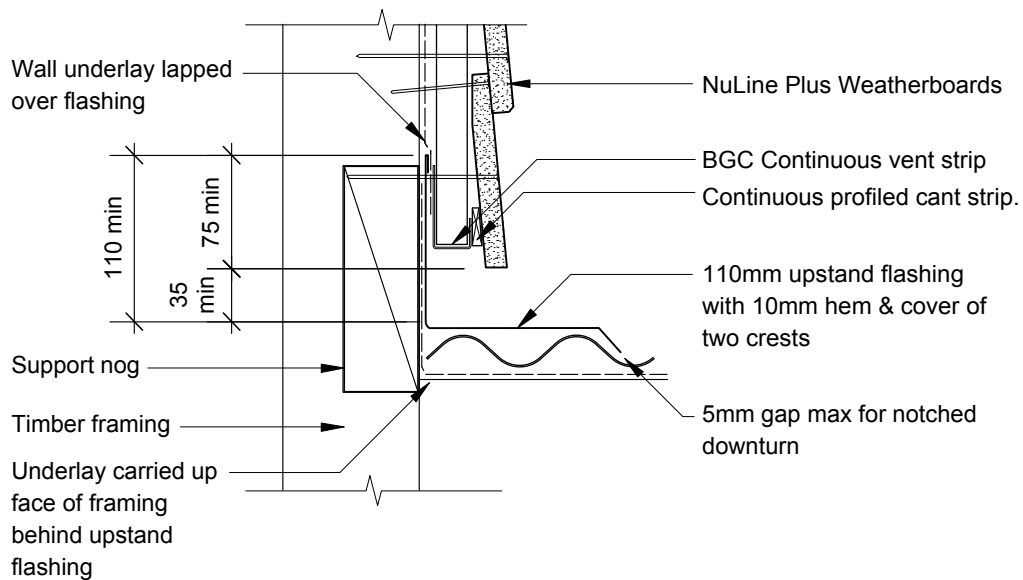


**BGC****Fibre Cement**

PROFILE NuLine™ Plus Weatherboards

DATE Sep 2012

DETAIL Parallel Apron Flashing  
Detail Cavity Construction

SCALE 1:5 @ A4

DETAIL NO. NU-23