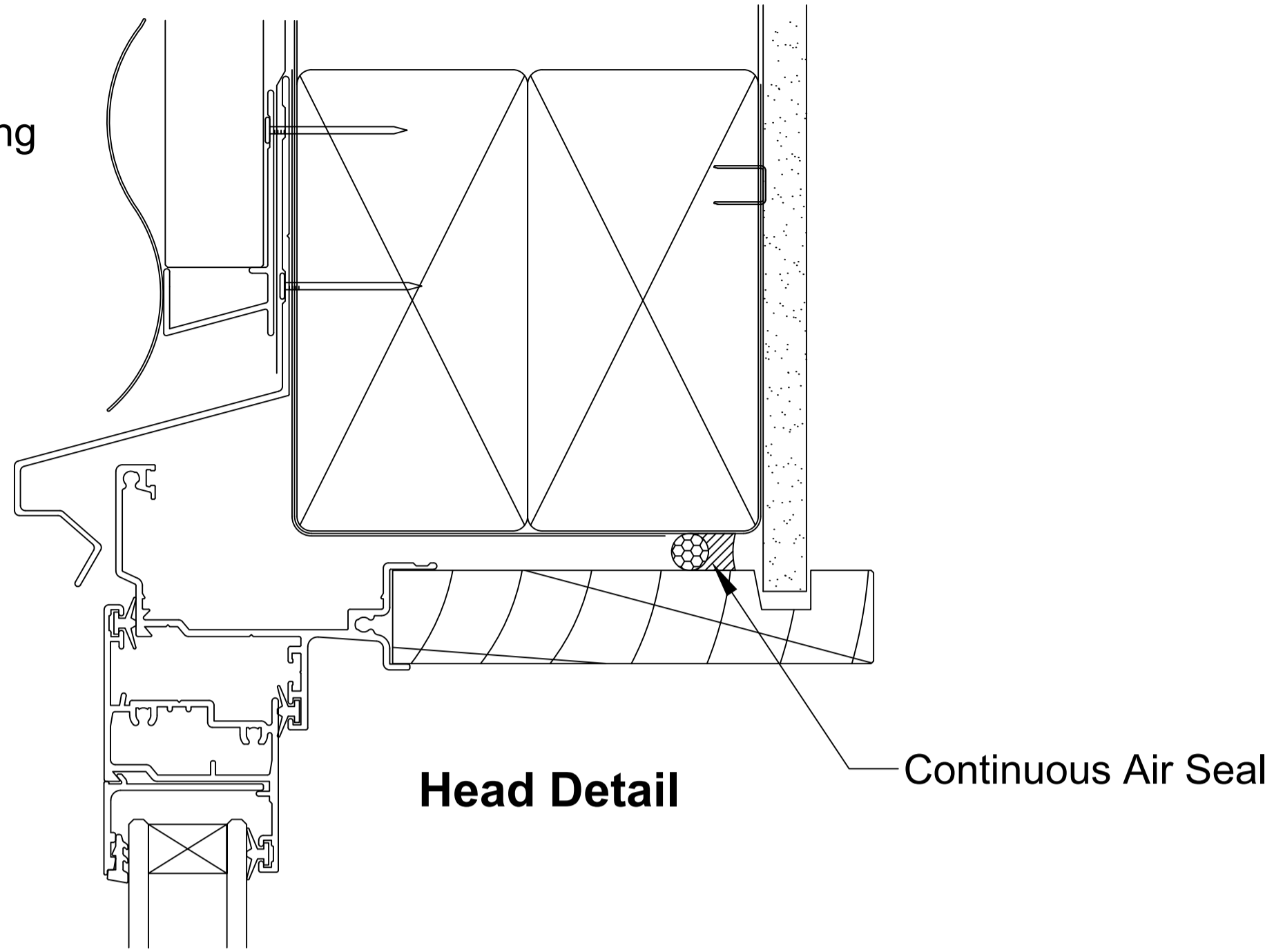
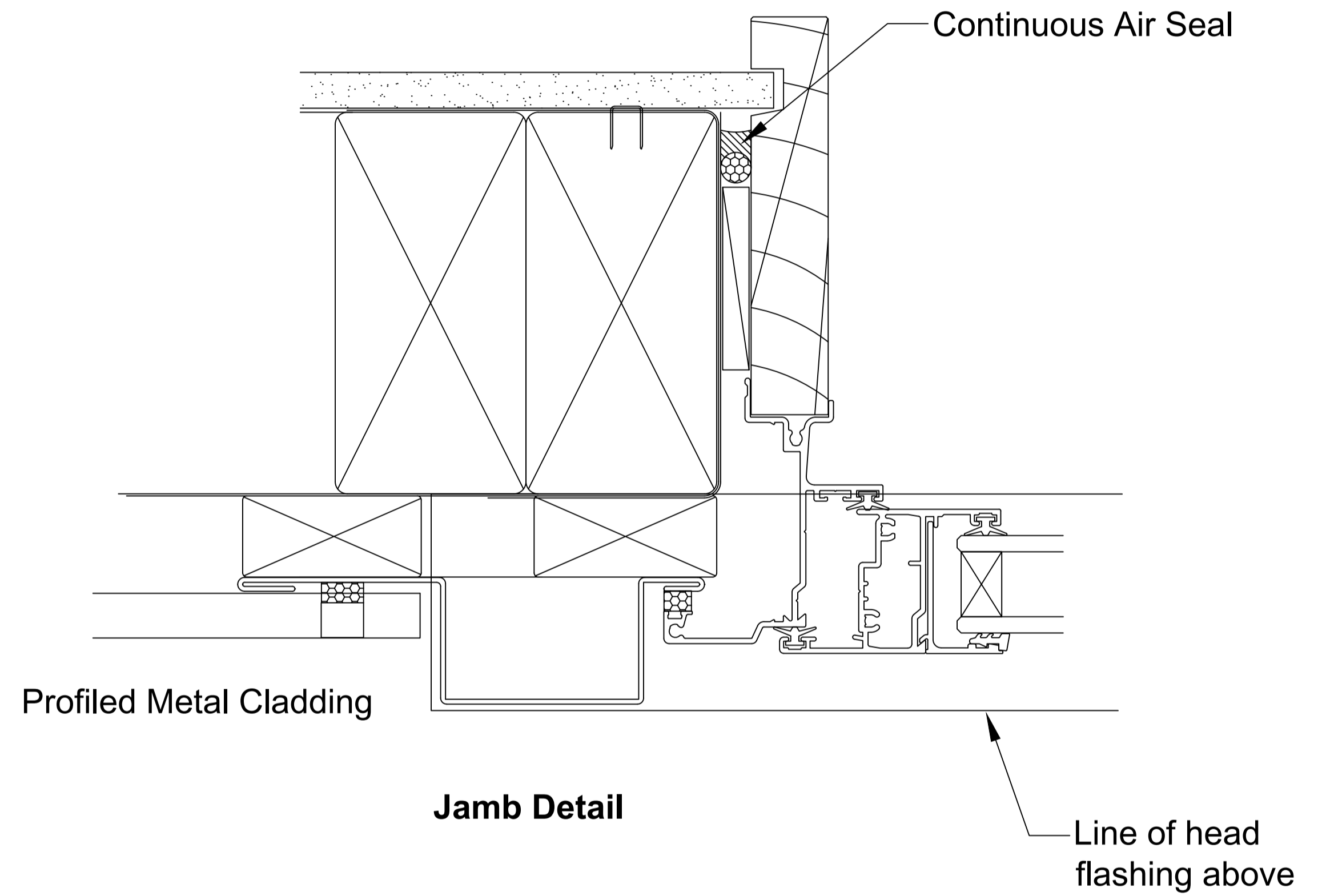
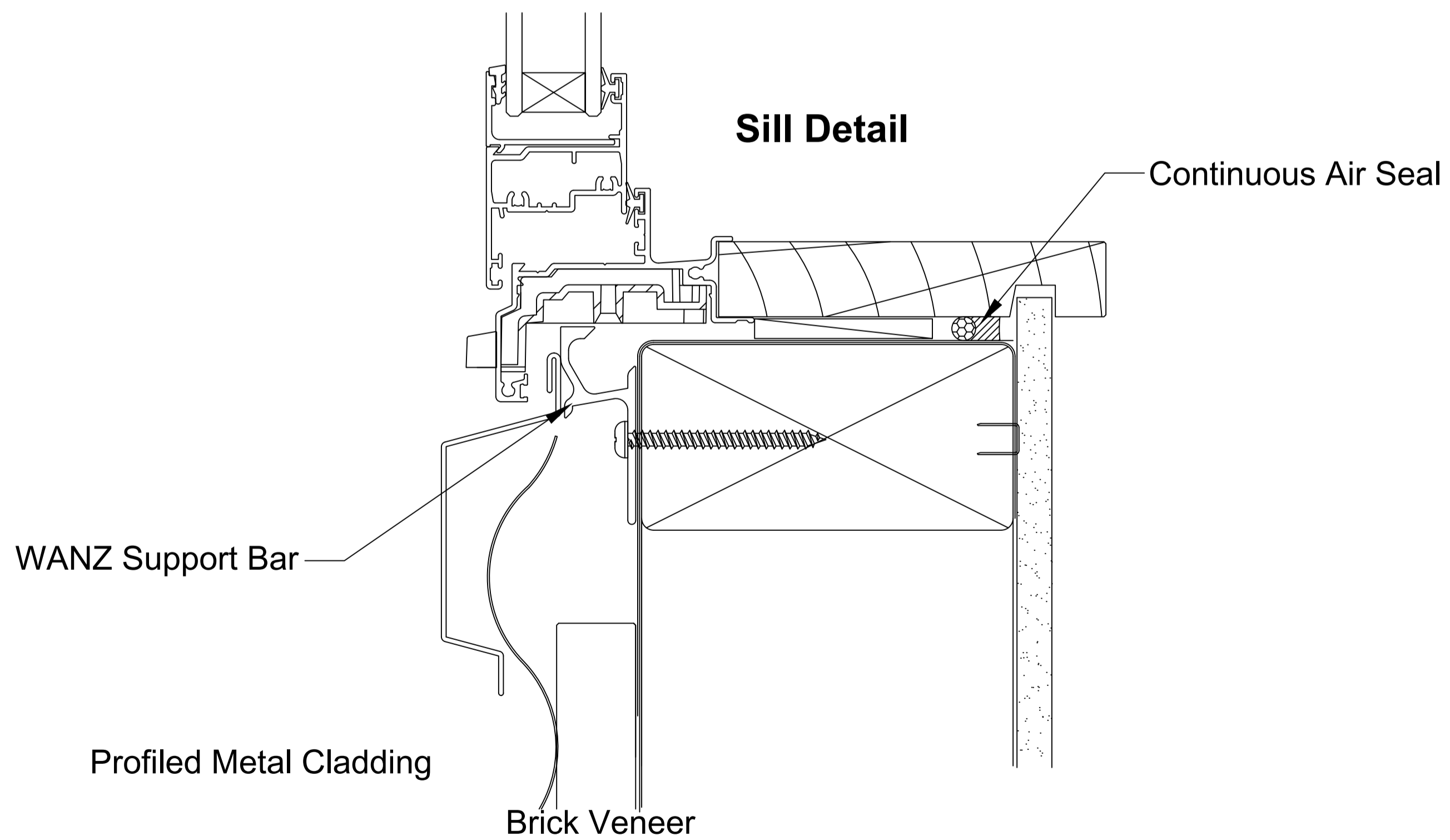


Profiled Metal Cladding



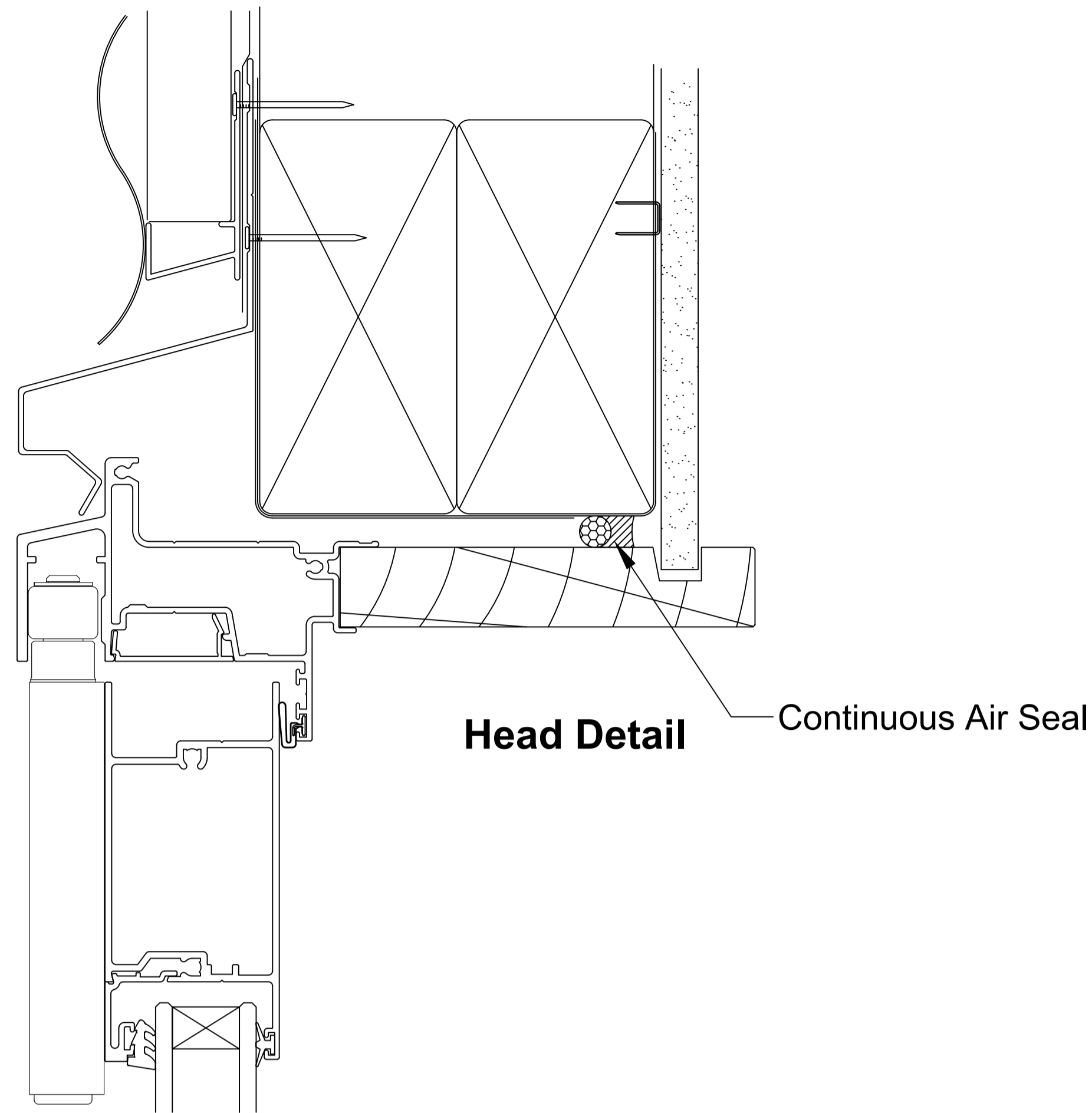
Sill Detail



Note:

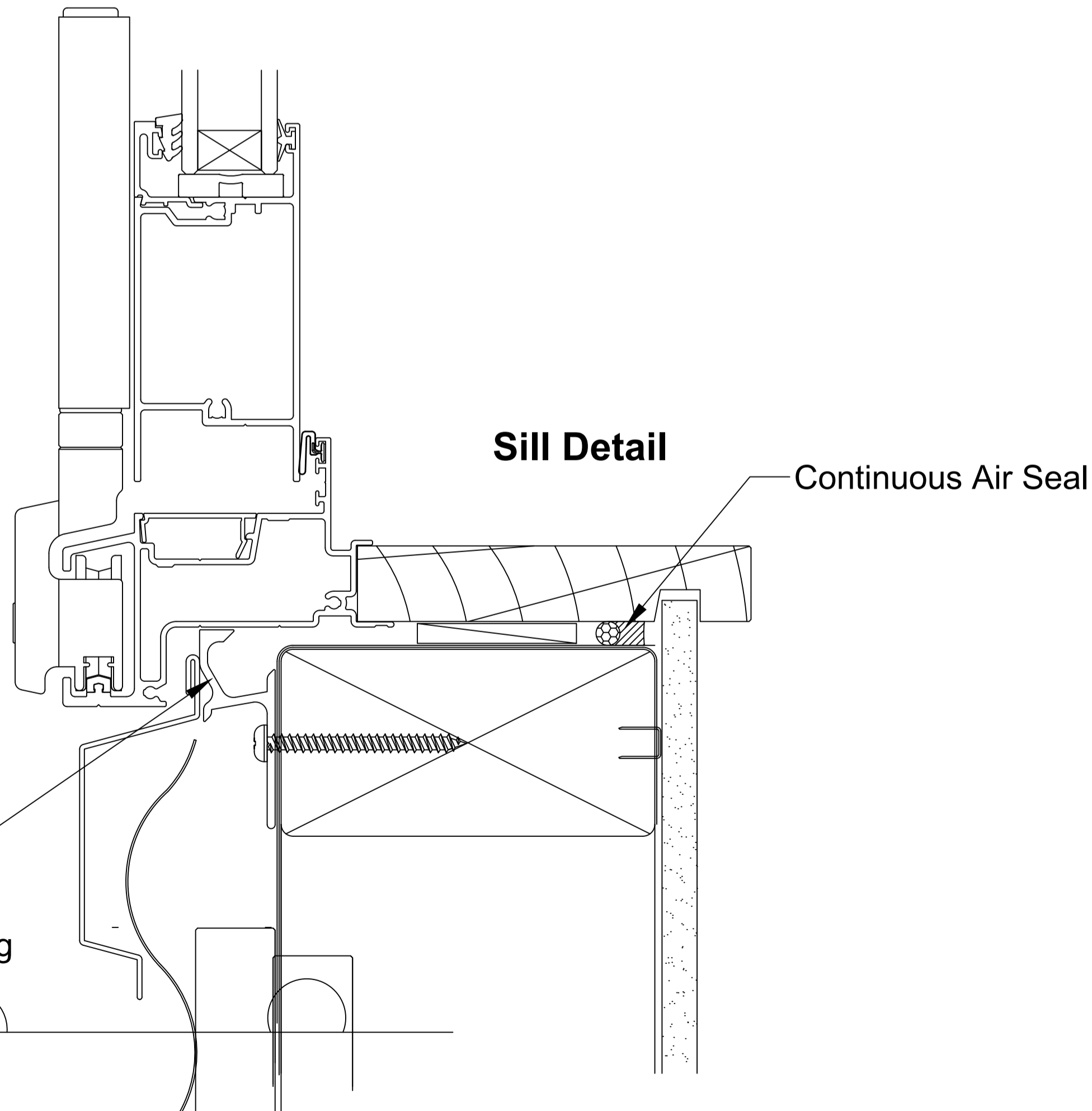
Sill support bar may be up to 100mm short of the Trim Opening at either end. It is recommended that the bar is installed the full Width of the opening to ensure it picks up the window or door frame support blocks.

Profiled Metal Cladding



Head Detail

Continuous Air Seal



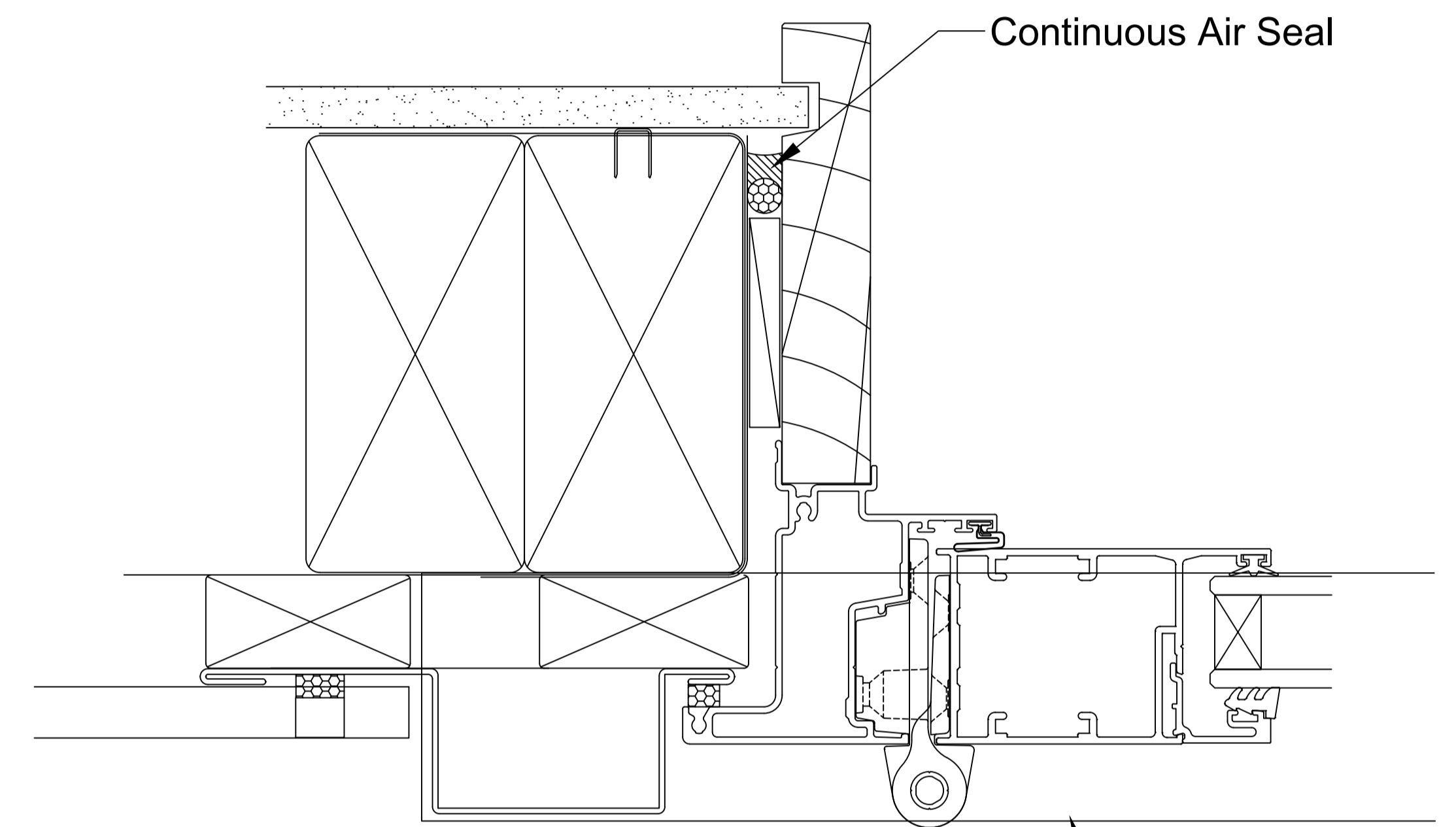
Sill Detail

Continuous Air Seal

WANZ Support Bar

EIFS And Coating

Profiled Metal Cladding



Profiled Metal Cladding

Jamb Detail

Continuous Air Seal

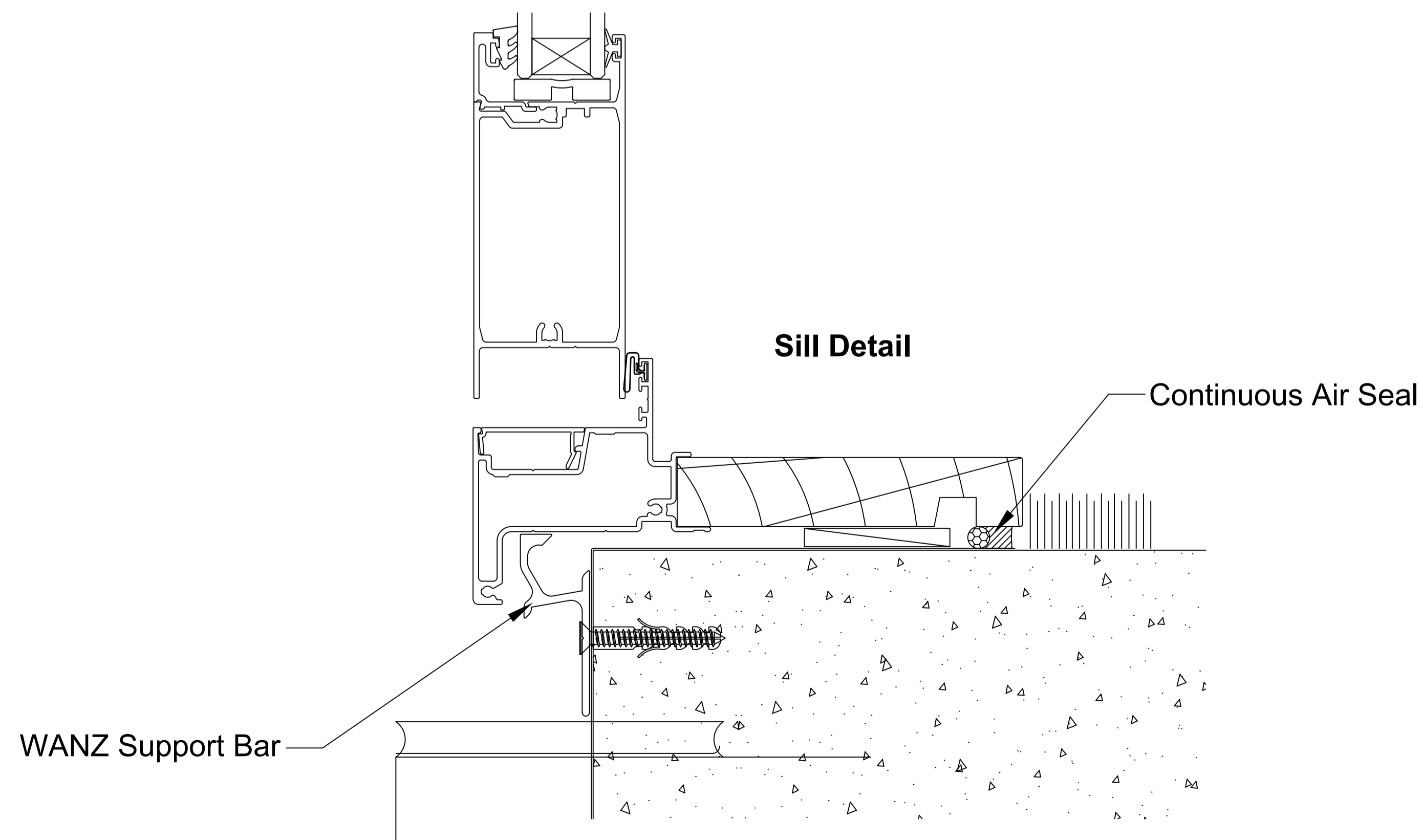
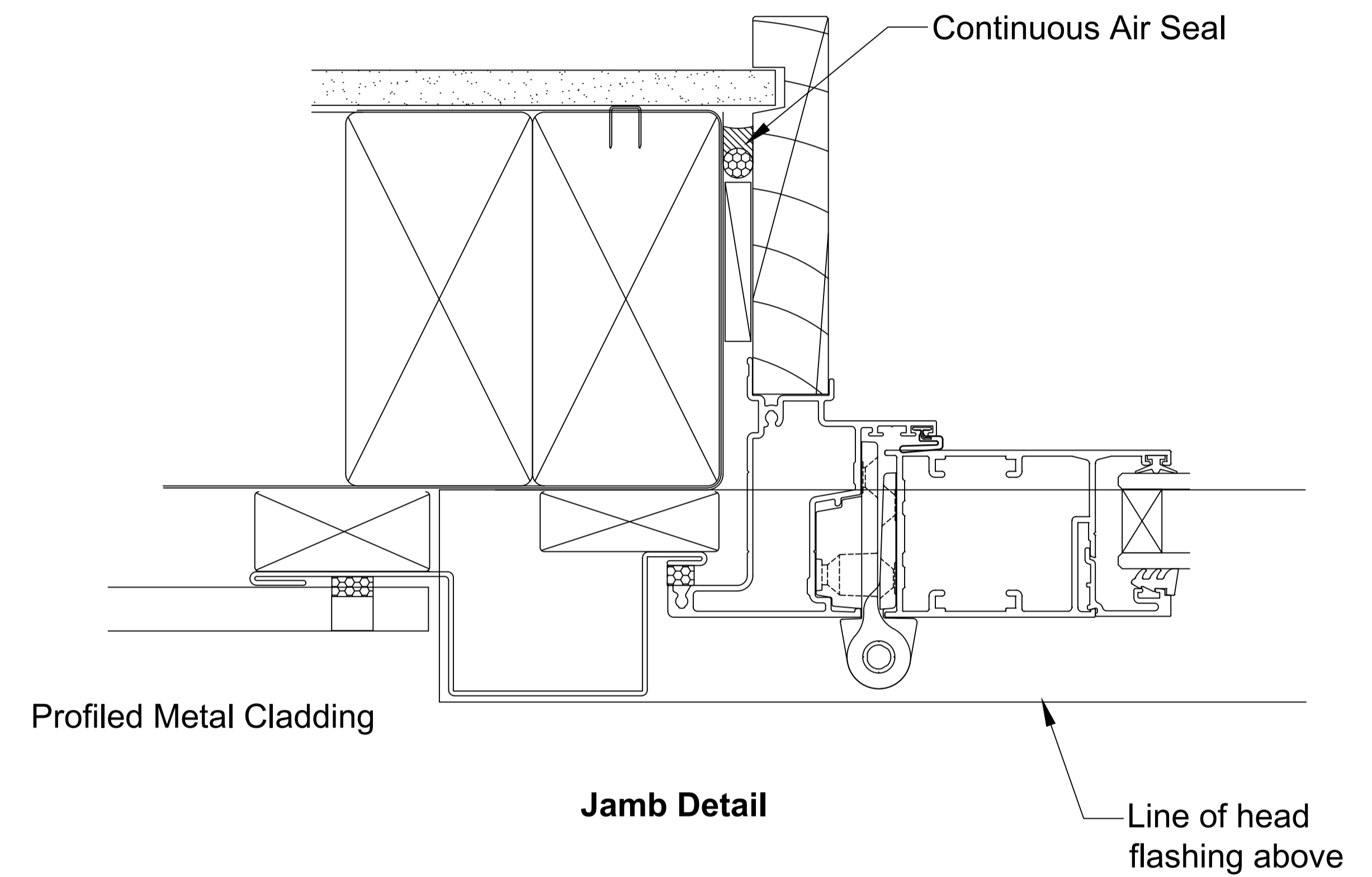
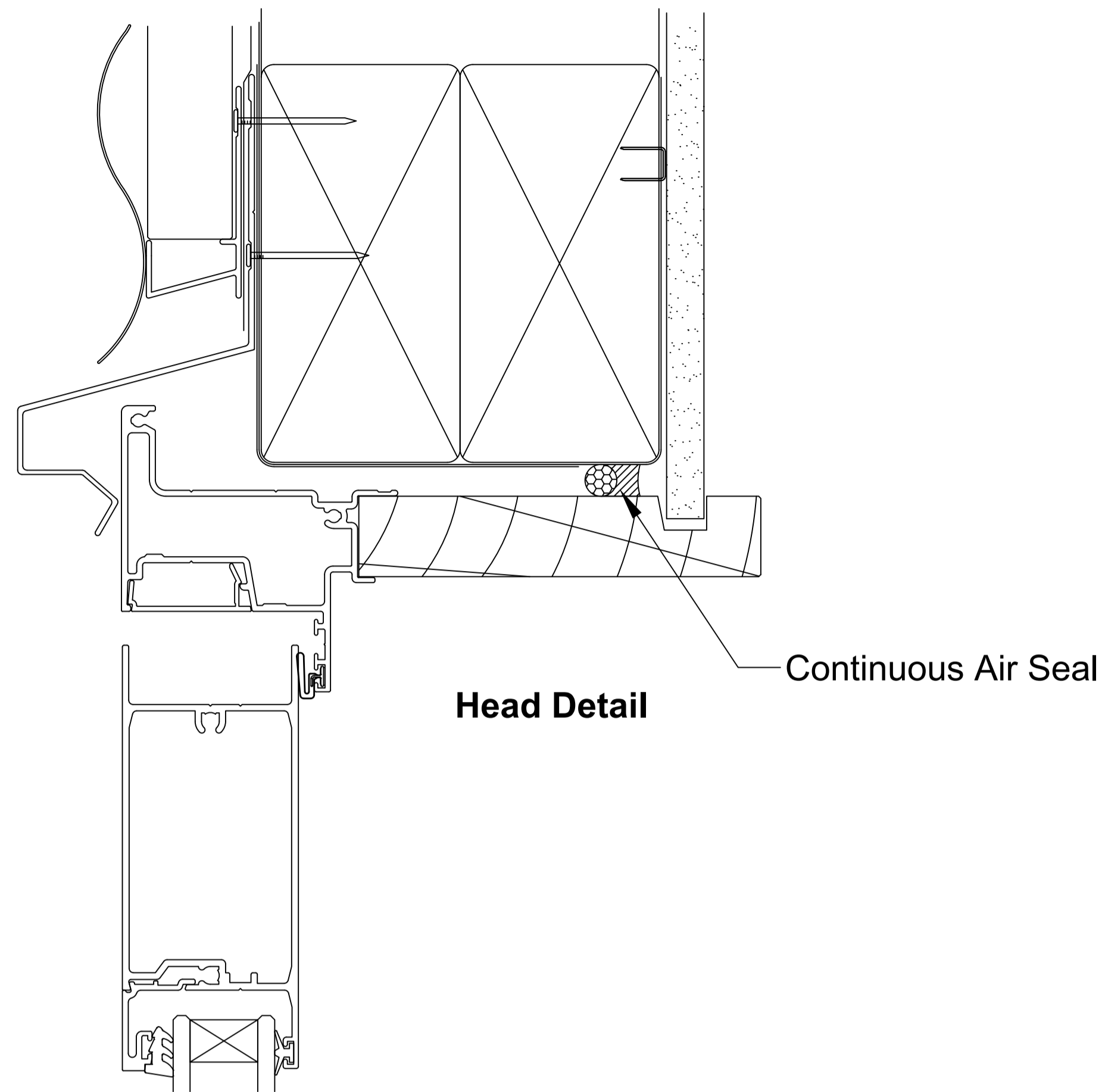
Line of head flashing above

Note:

Sill support bar may be up to 100mm short of the Trim Opening at either end.

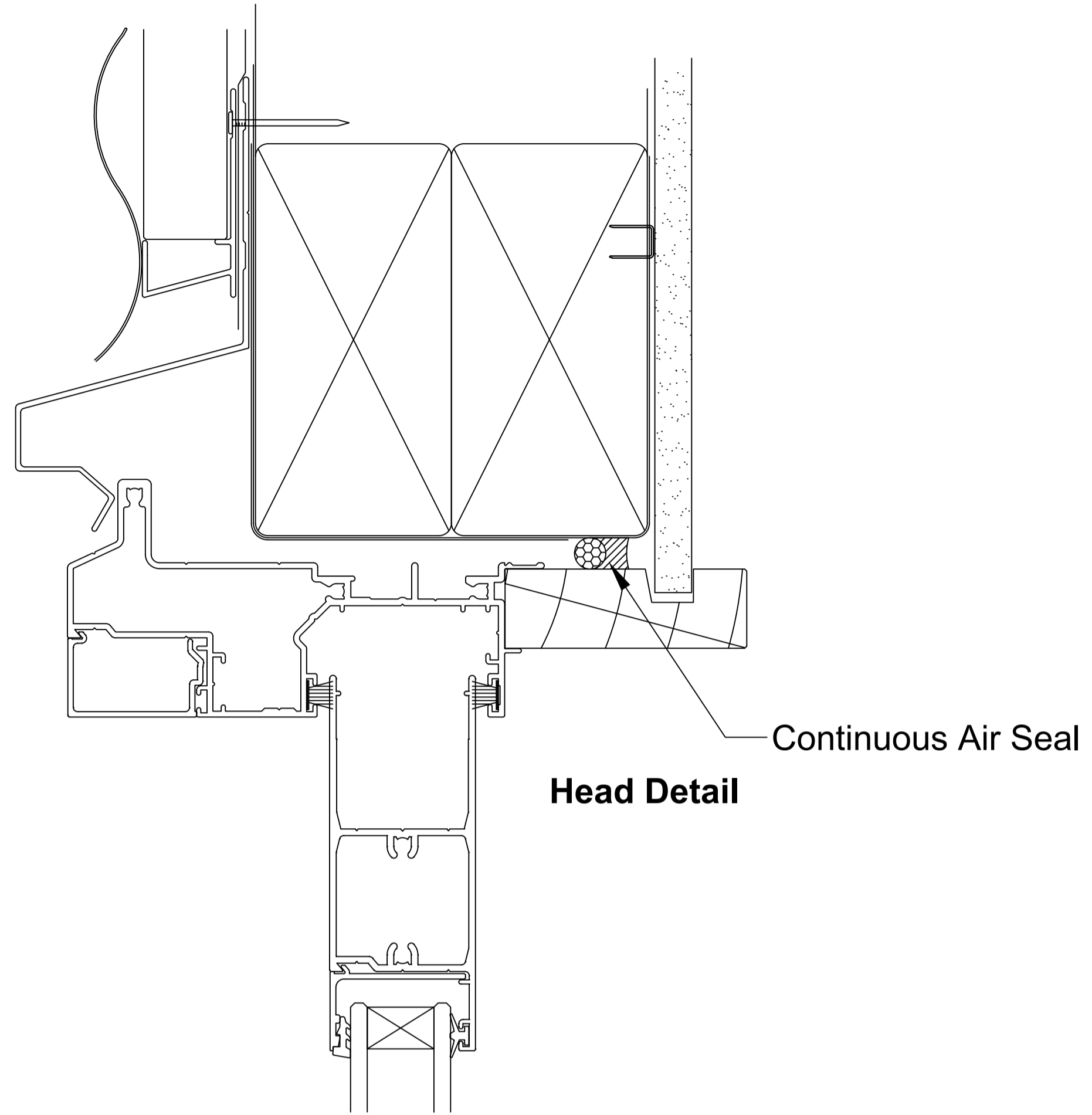
It is recommended that the bar is installed the full Width of the opening to ensure it picks up the window or door frame support blocks.

Profiled Metal Cladding



Note:
Sill support bar may be up to 100mm short of the Trim Opening at either end.
It is recommended that the bar is installed the full Width of the opening to ensure it picks up the window or door frame support blocks.

Profiled Metal Cladding



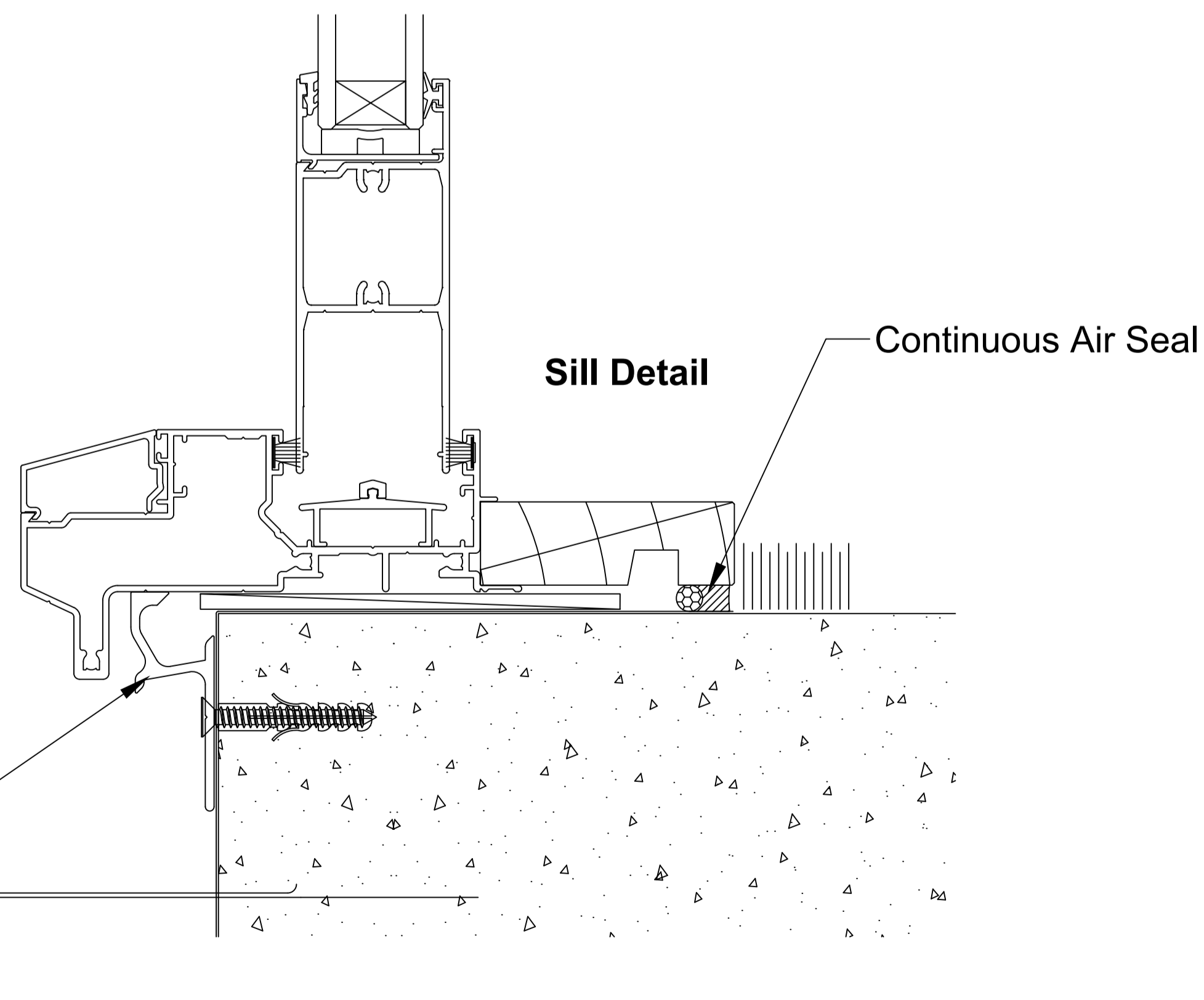
Head Detail

Continuous Air Seal

Sill Detail

Continuous Air Seal

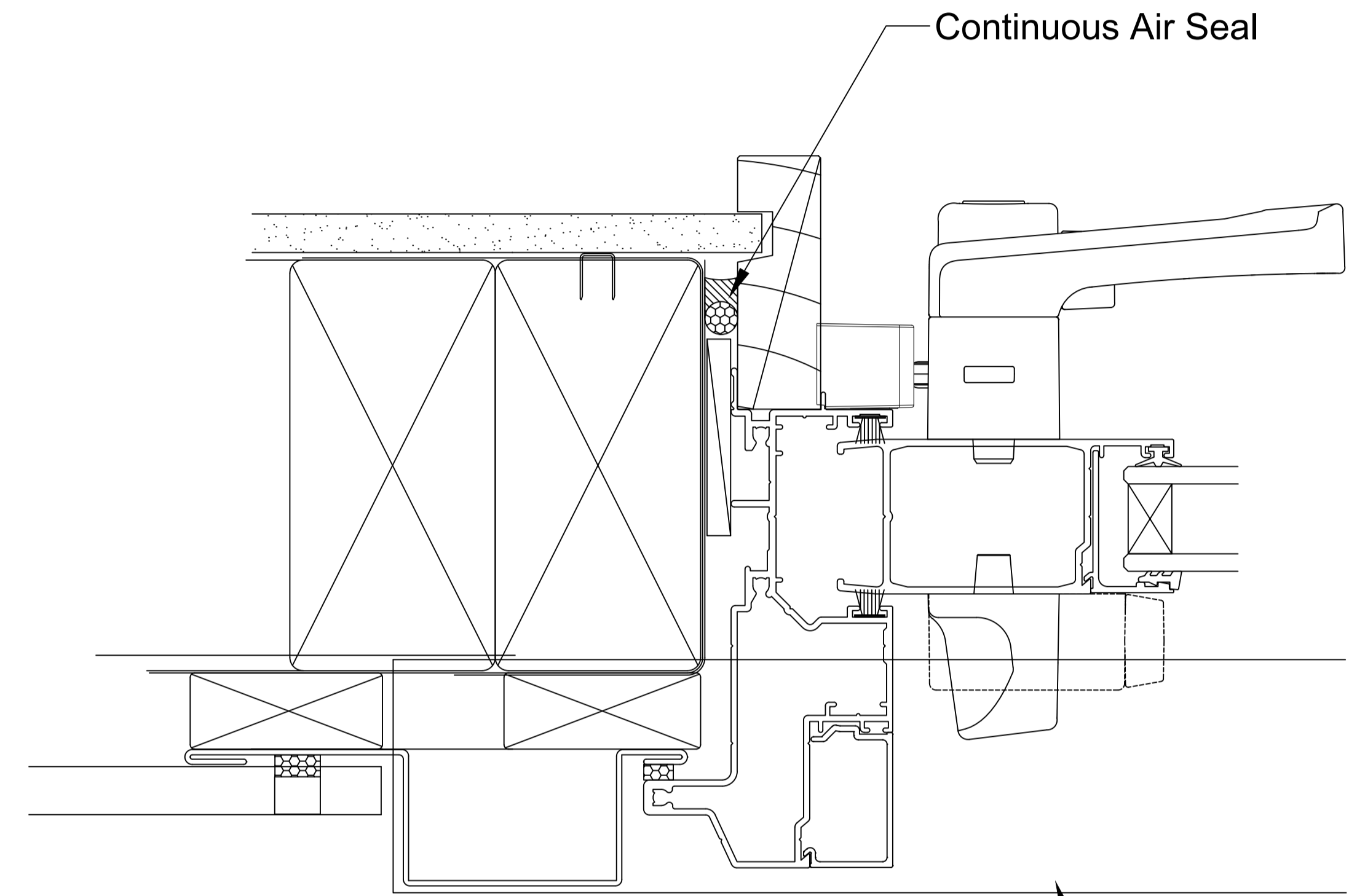
WANZ Support Bar



Profiled Metal Cladding

Jamb Detail

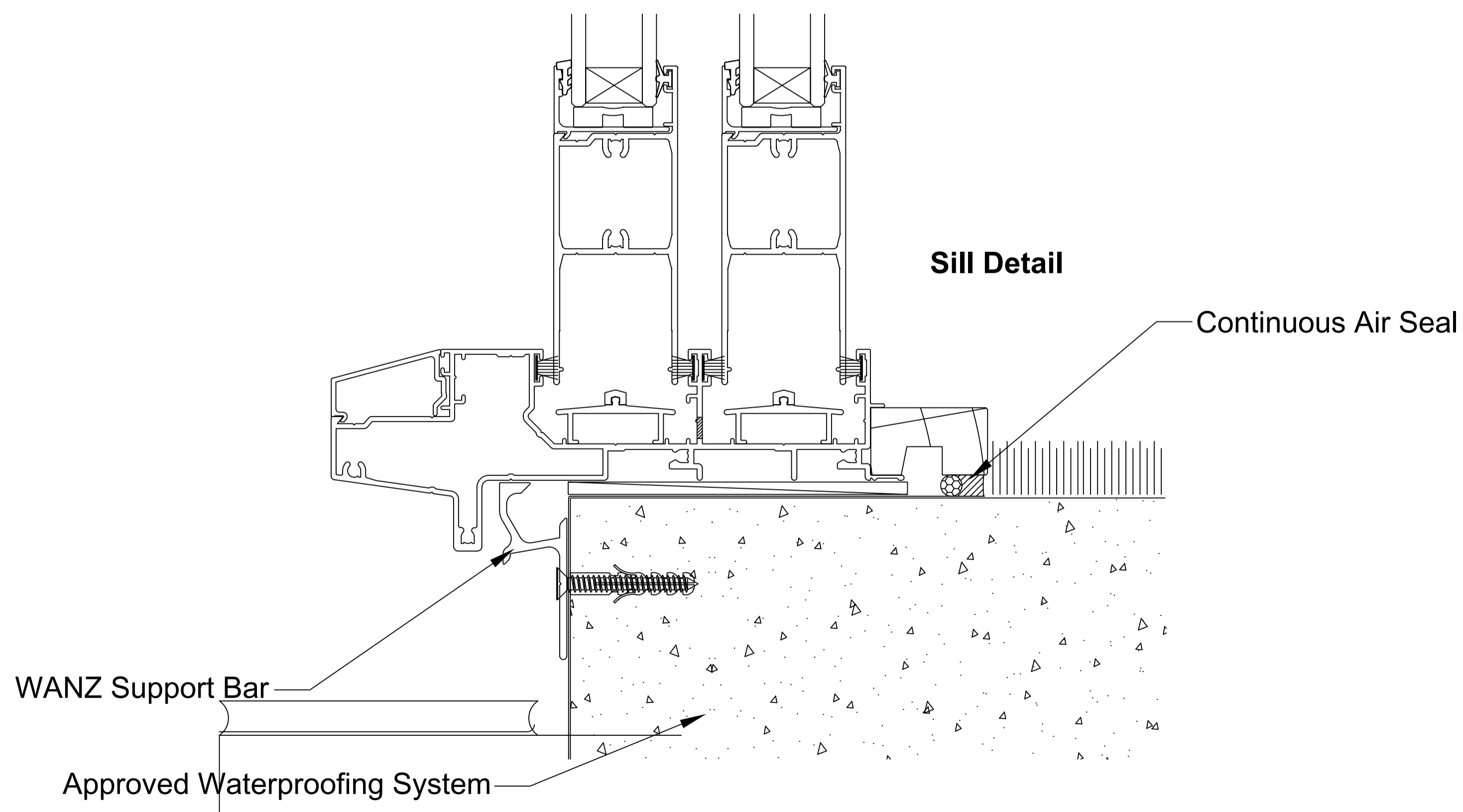
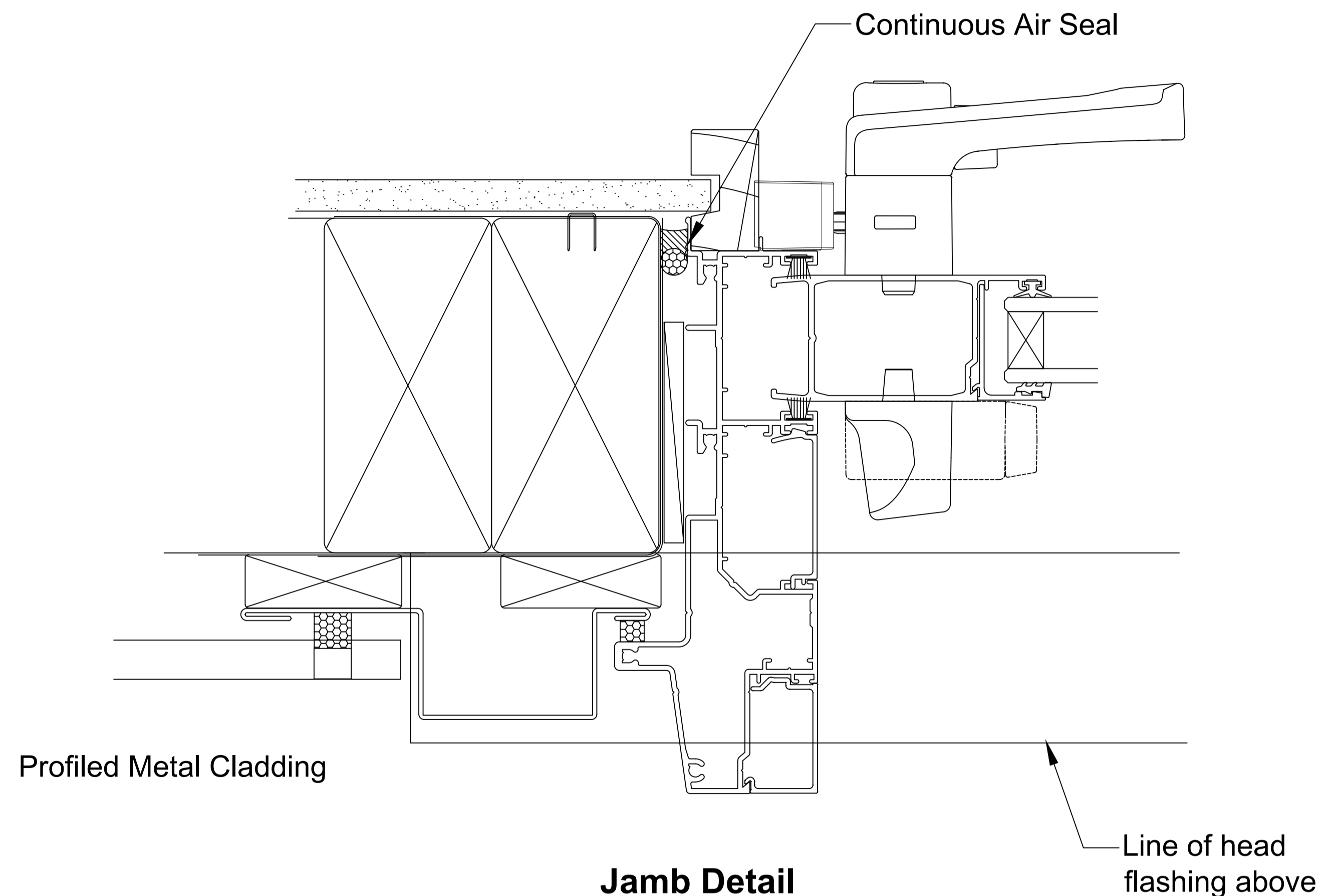
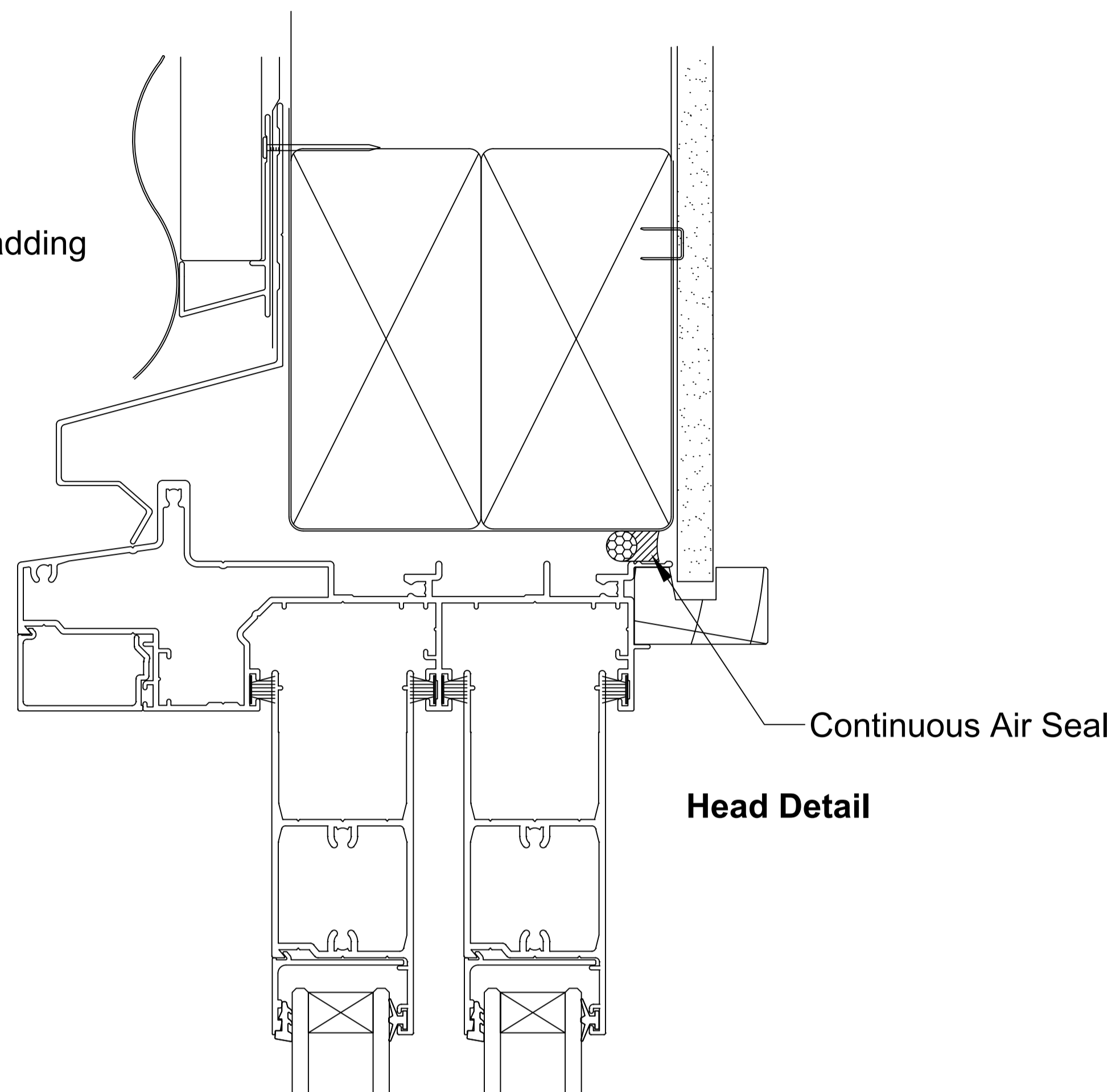
Line of head flashing above



Note:

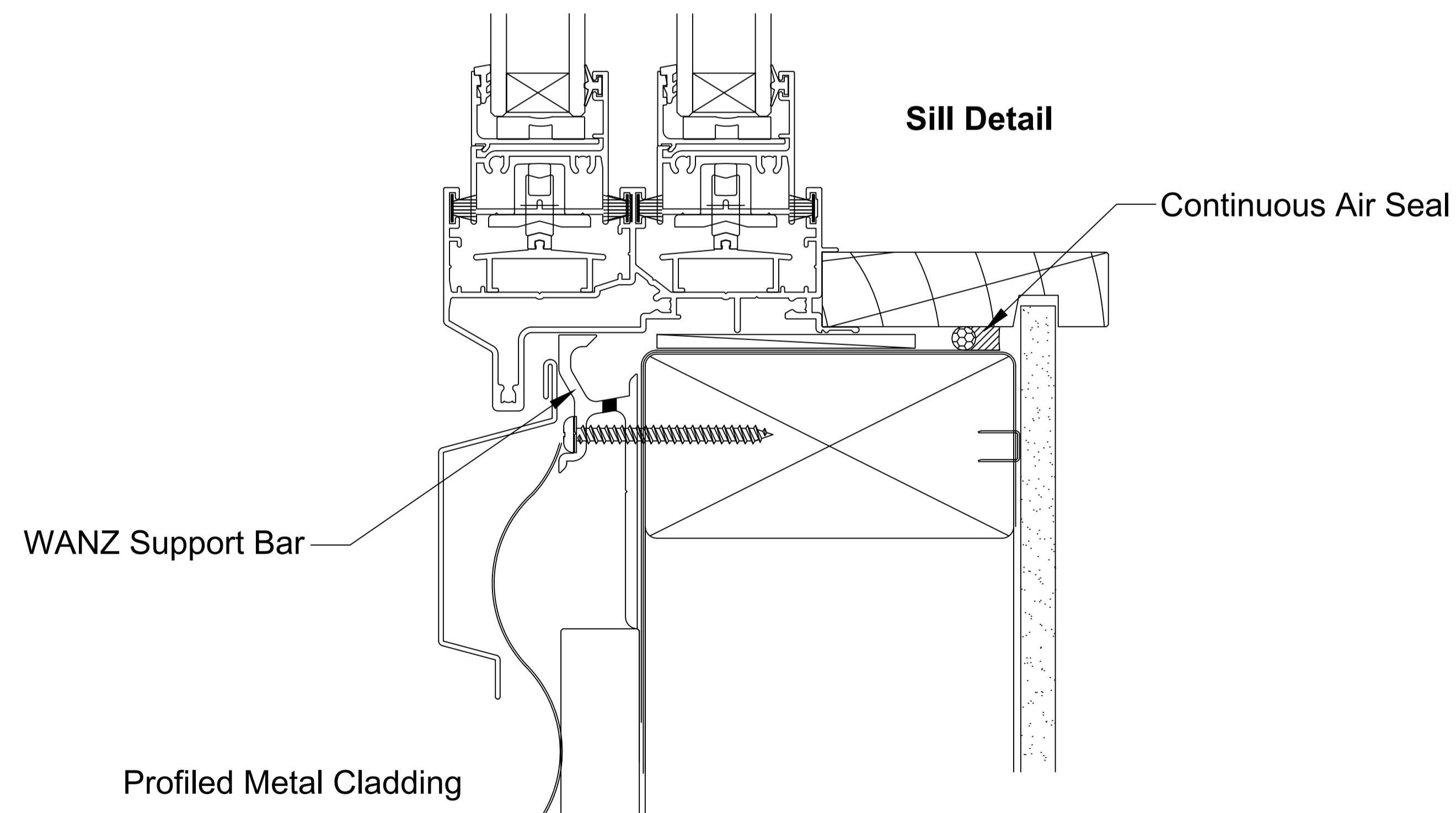
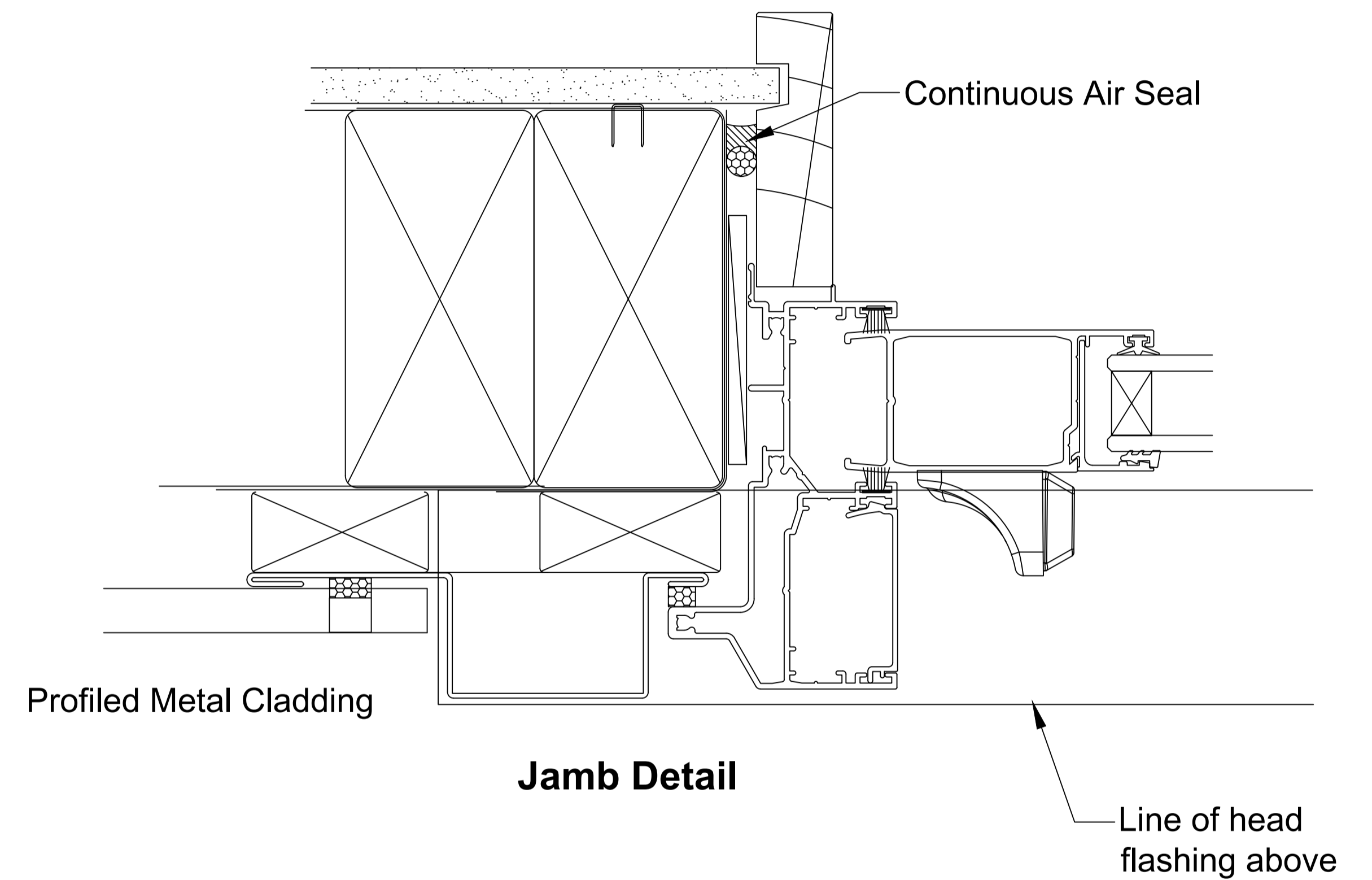
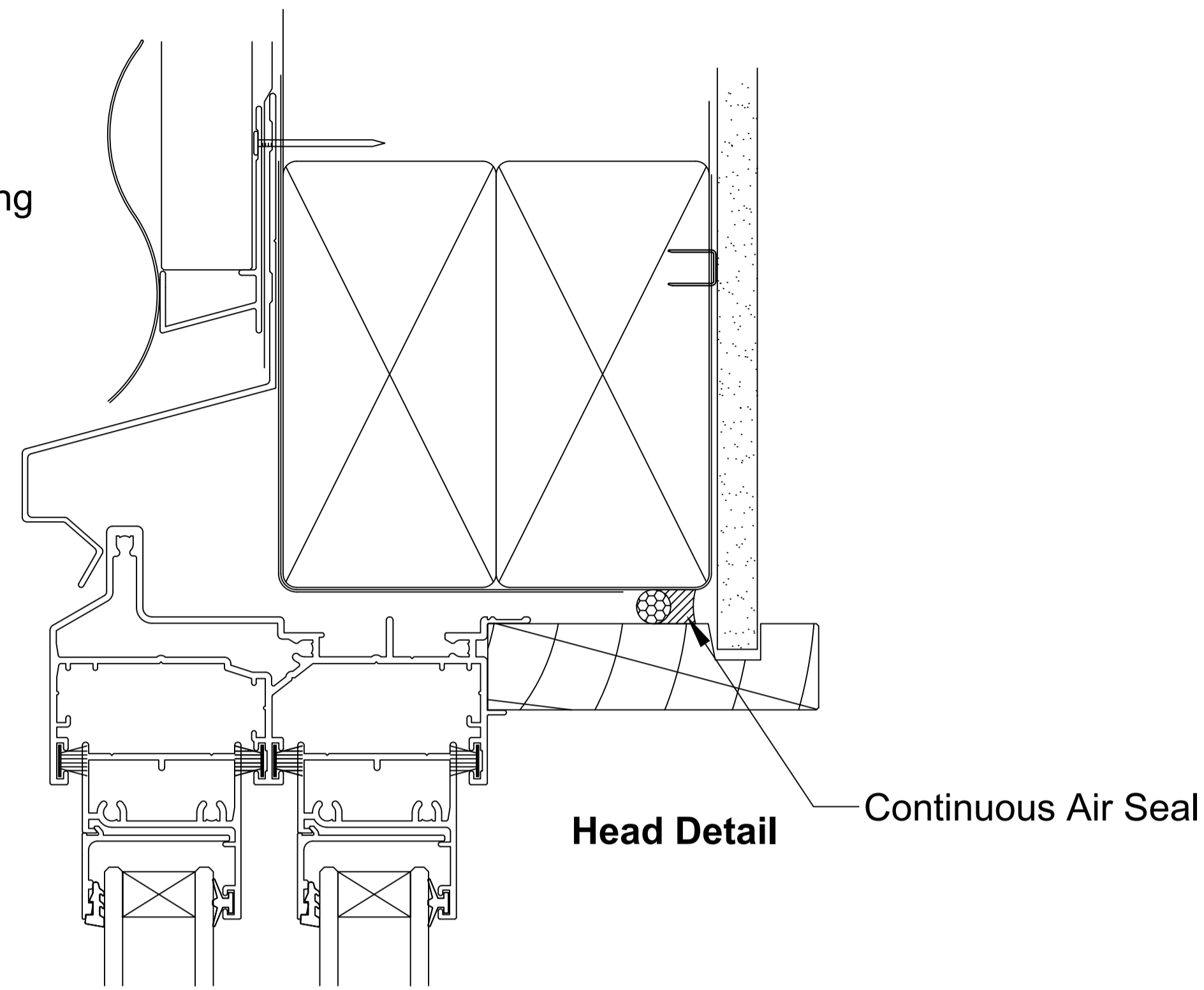
Sill support bar may be up to 100mm short of the Trim Opening at either end. It is recommended that the bar is installed the full Width of the opening to ensure it picks up the window or door frame support blocks.

Profiled Metal Cladding



Note:
 Sill support bar may be up to 100mm short of the Trim Opening at either end.
 It is recommended that the bar is installed the full Width of the opening to ensure it picks up the window or door frame support blocks.

Profiled Metal Cladding



Note:
 Sill support bar may be up to 100mm short of the Trim Opening at either end.
 It is recommended that the bar is installed the full Width of the opening to ensure it picks up the window or door frame support blocks.