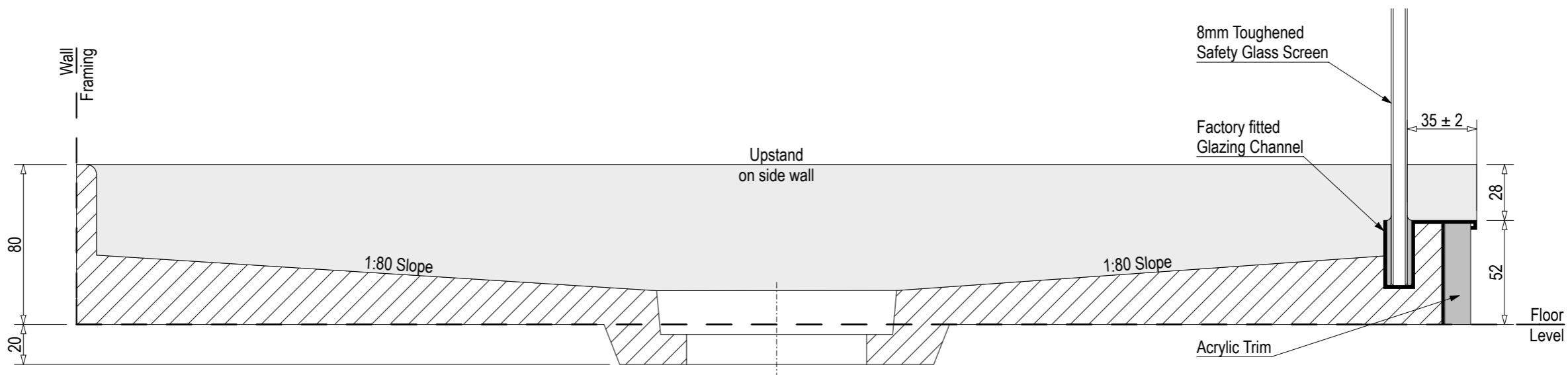
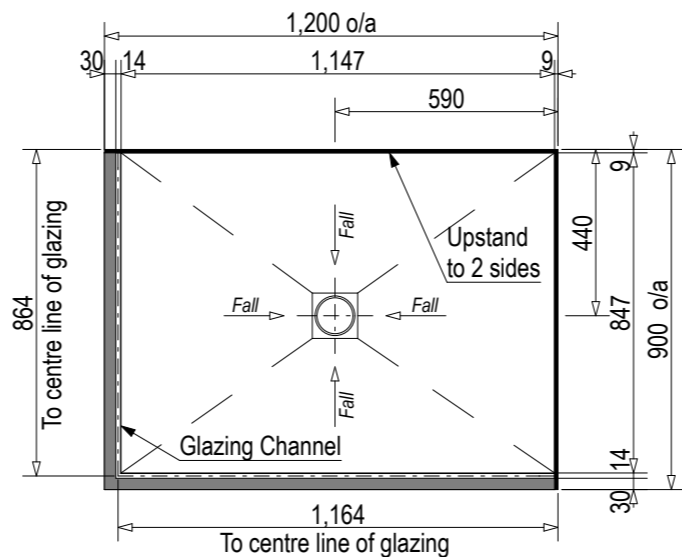
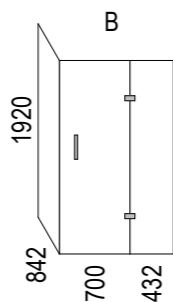


SKU: QU-NIR



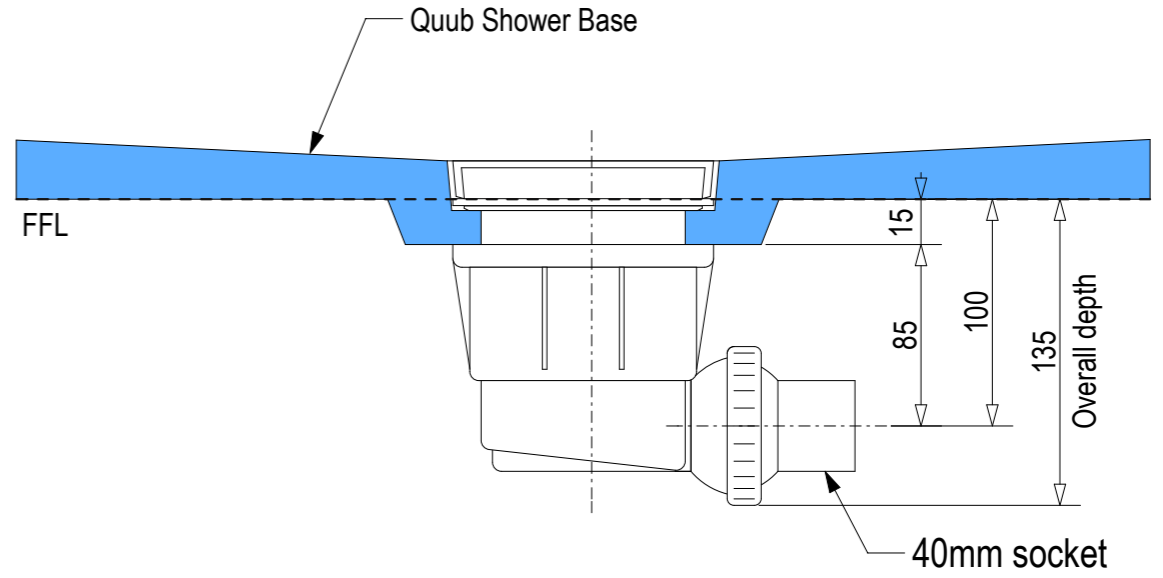
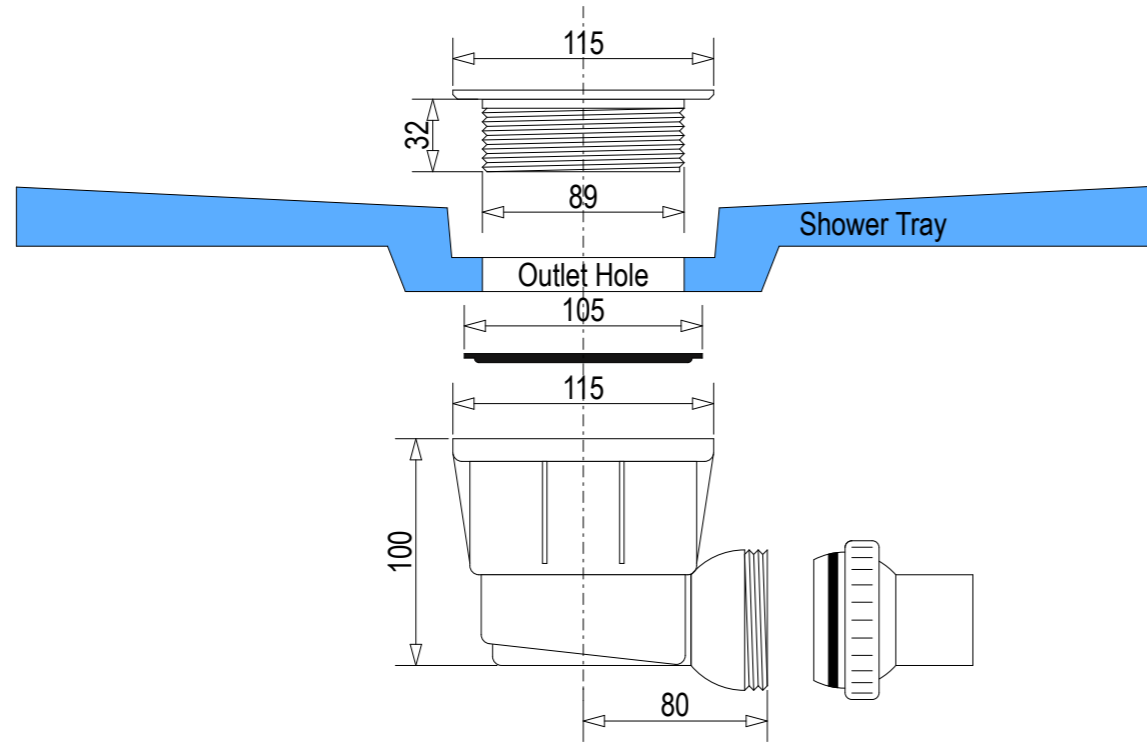
Note: Verify exact shower base dimensions on site

Screen Options:



For more product information go to:
www.atlantis.co.nz/shop/products-all/nirvana-1200x900/

For installation instructions go to:
www.atlantis.co.nz/trade/installation/



Ensure a minimum recess size of 250mm wide x 250mm long x 150mm deep for the channel drain and waste outlet

