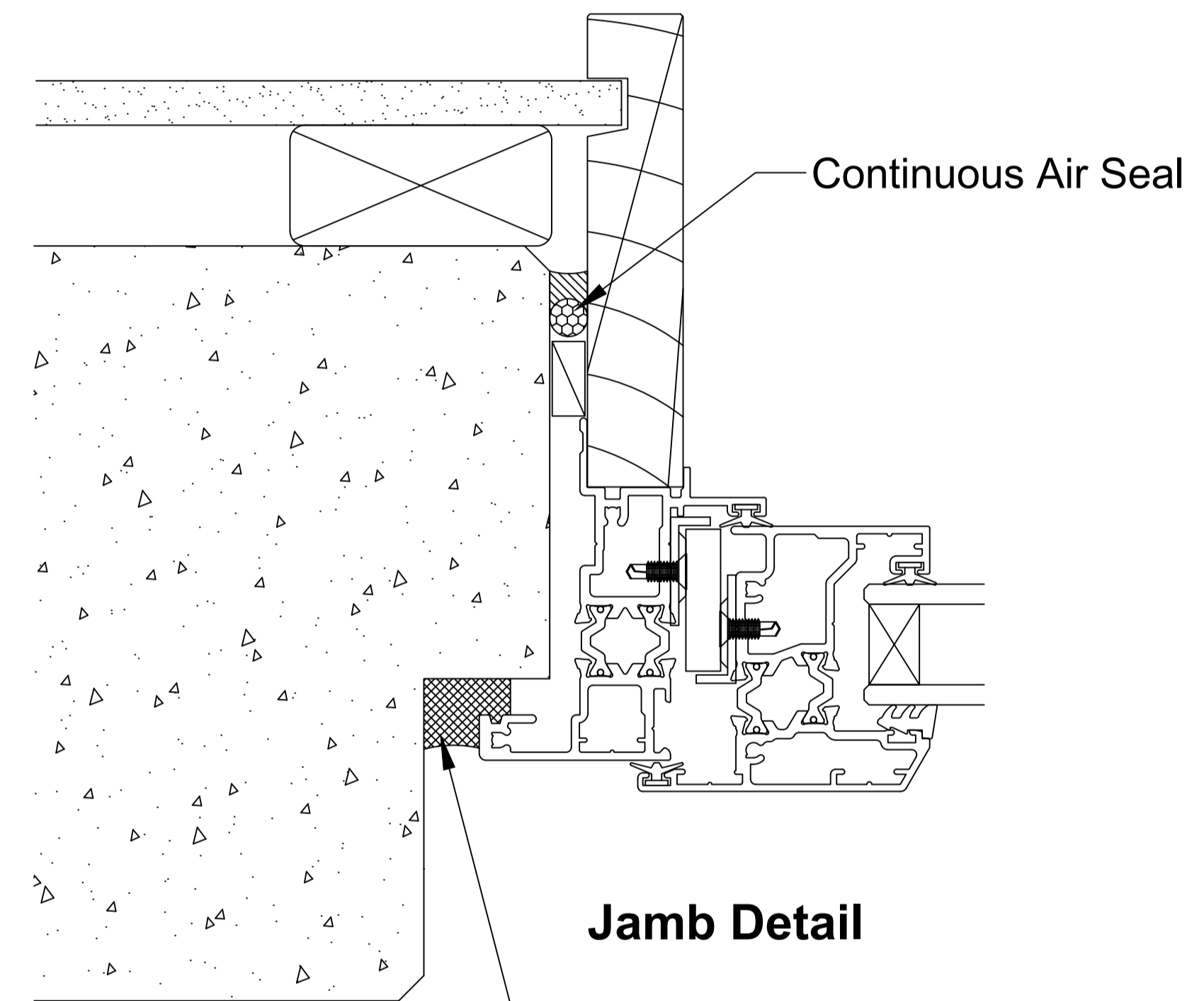
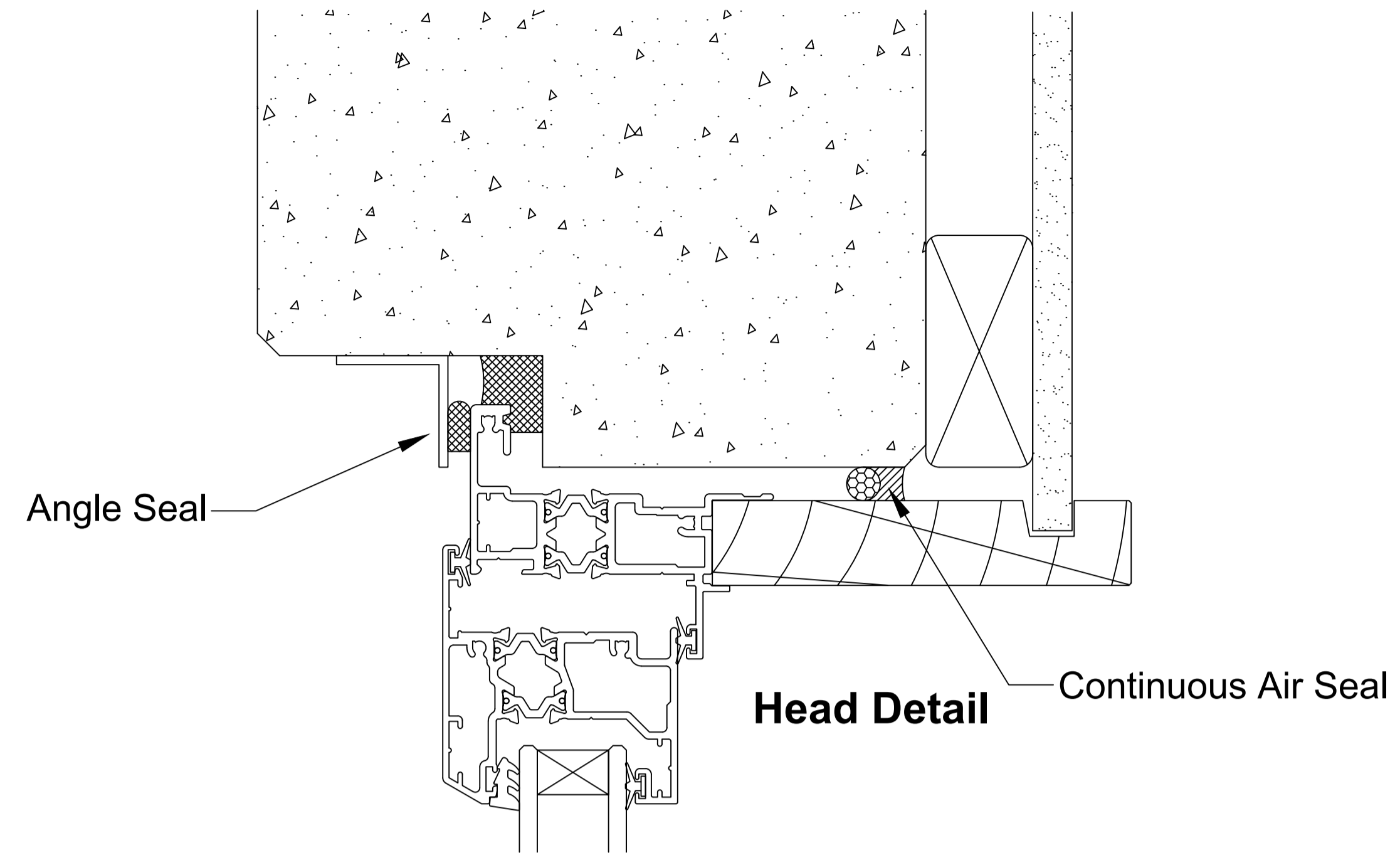
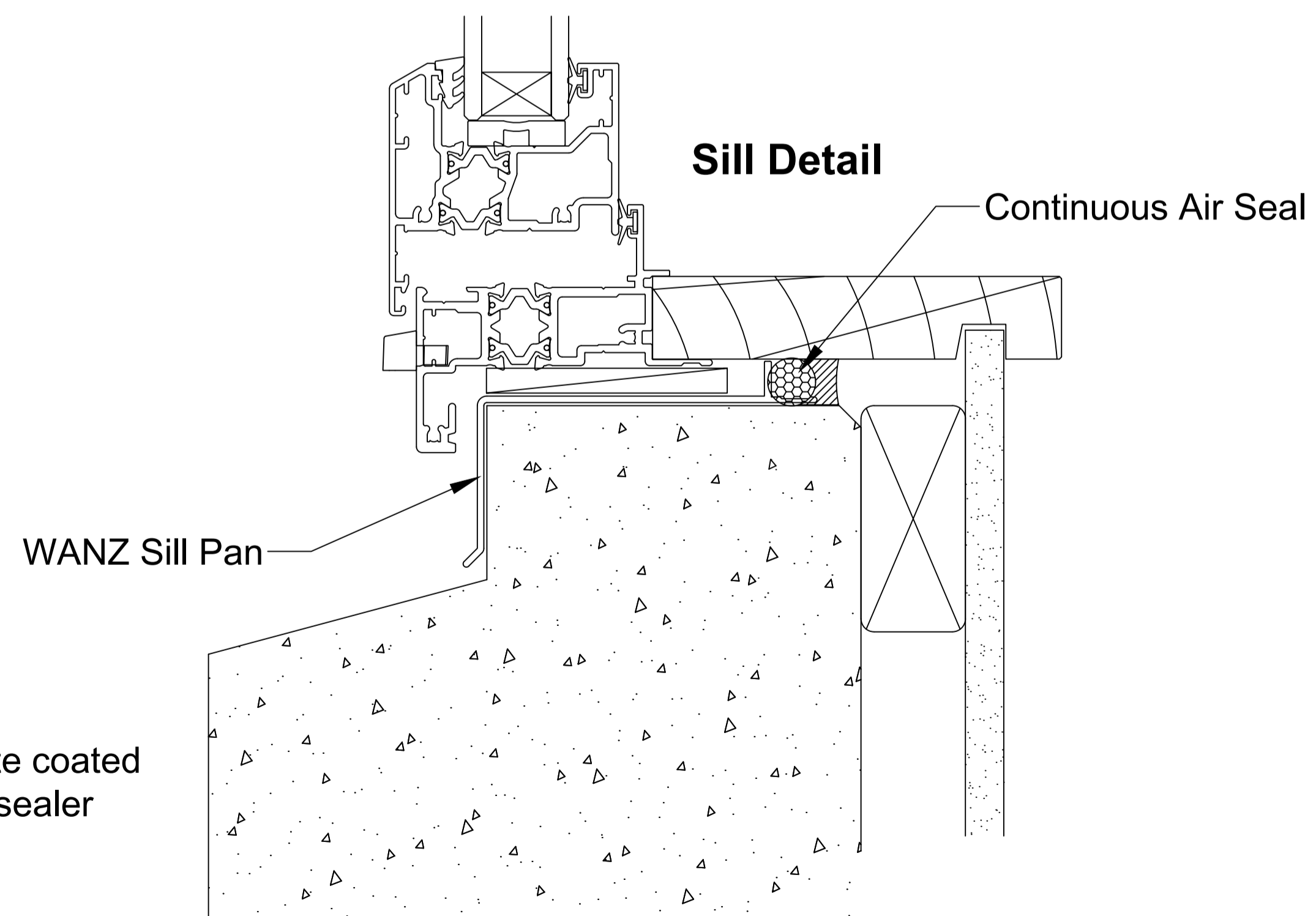


Precast Concrete coated with a suitable sealer



Precast Concrete coated with a suitable sealer



Precast Concrete coated with a suitable sealer

Note:

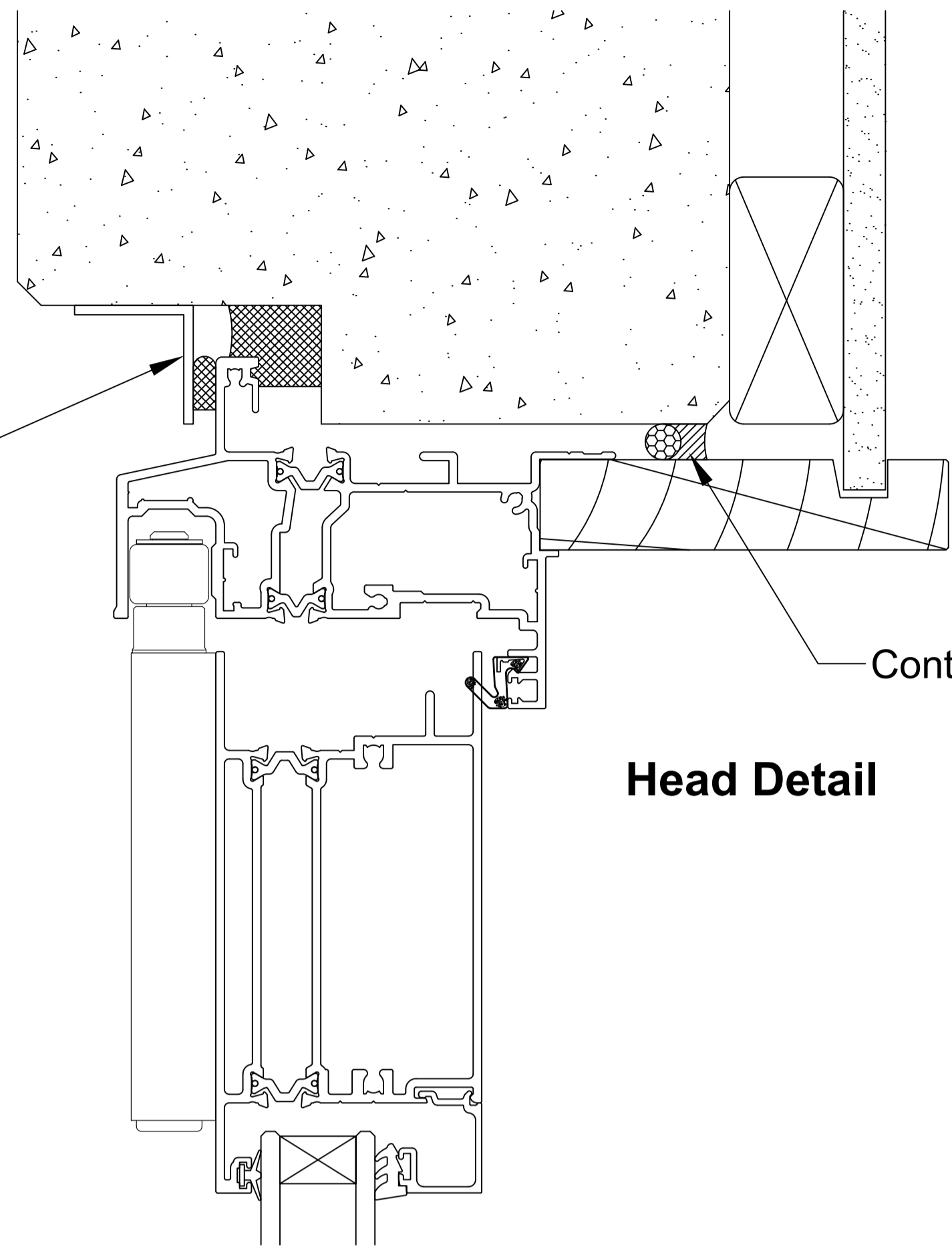
Avoid mortar contact with Aluminum Joinery, if contact is made wash off with warm soapy water immediately, no abrasive contact or solvents to be used.

Precast Concrete coated with a suitable sealer

Angle Seal

Continuous Air Seal

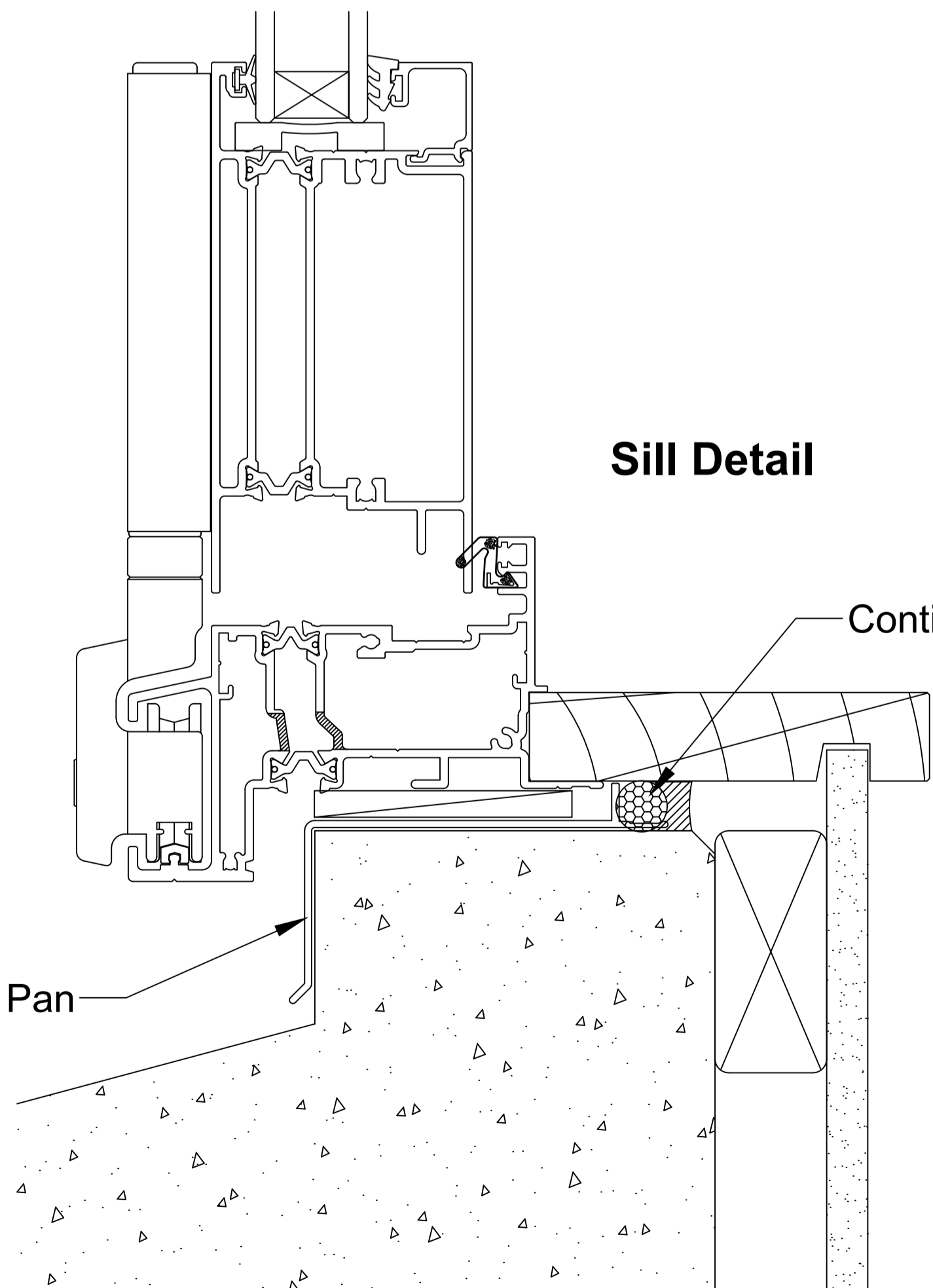
Head Detail



Sill Detail

Continuous Air Seal

WANZ Sill Pan

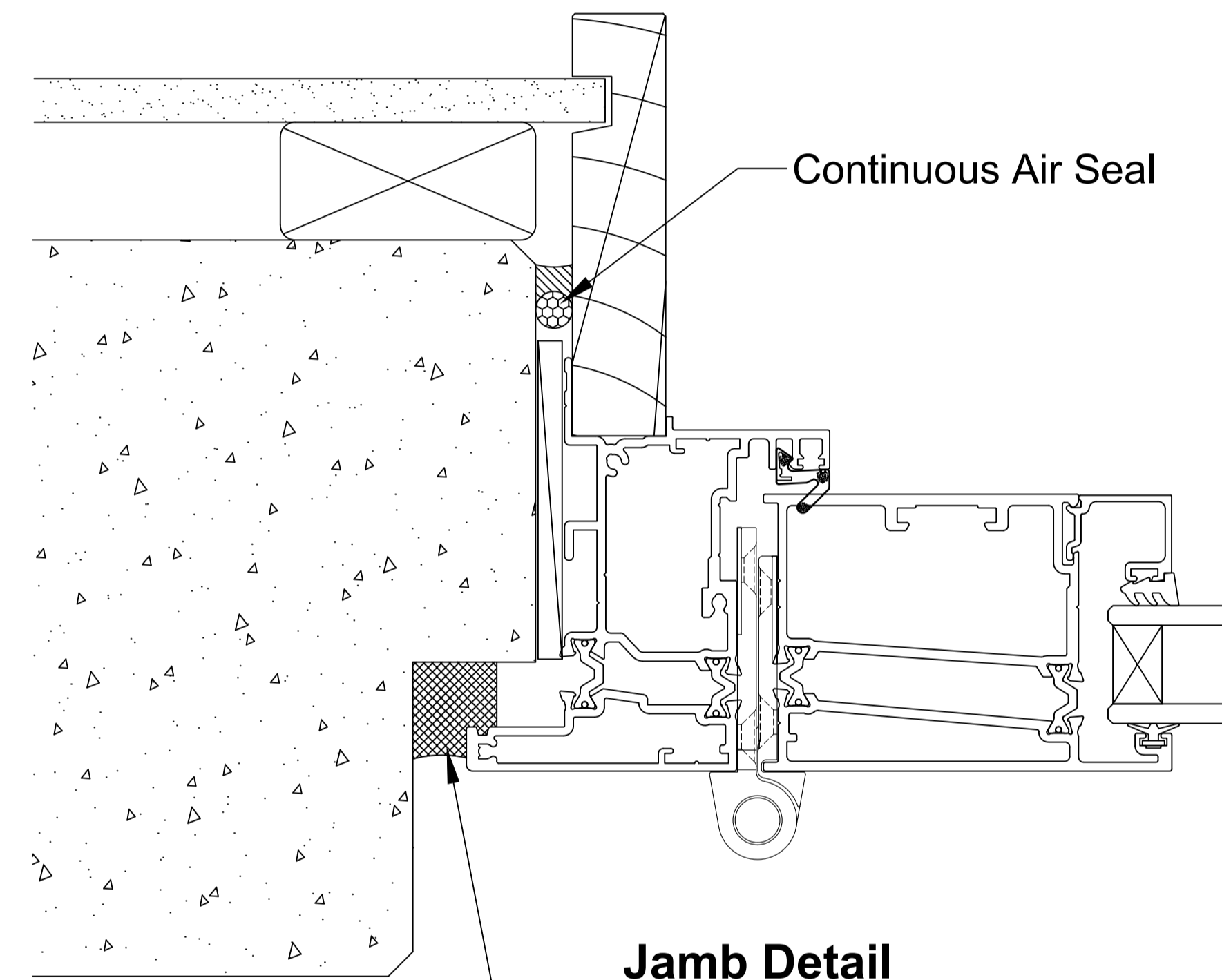


Continuous Air Seal

Jamb Detail

Precast Concrete coated with a suitable sealer

Continuous seal



Note:

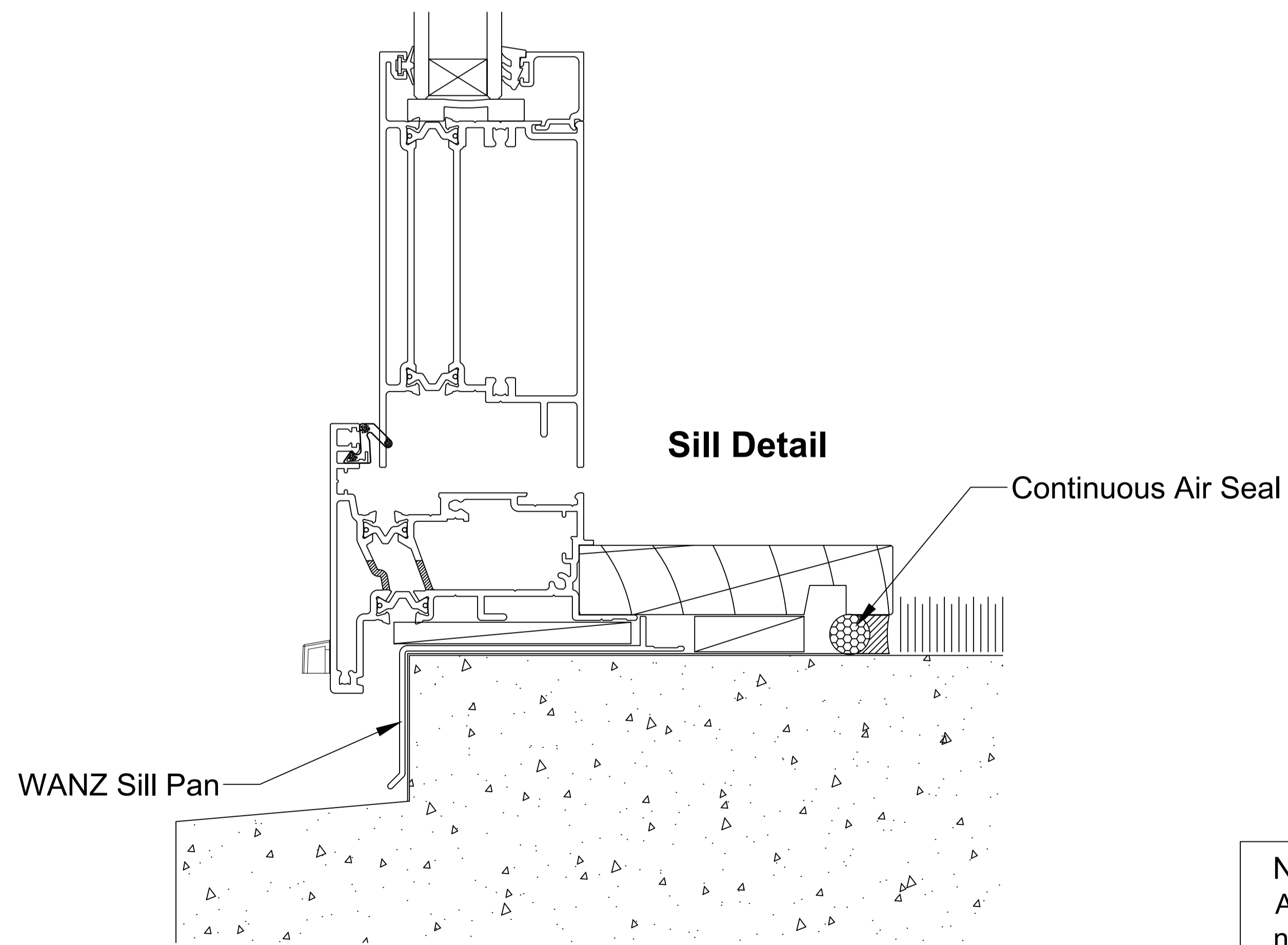
Avoid mortar contact with Aluminum Joinery, if contact is made wash off with warm soapy water immediately, no abrasive contact or solvents to be used.

Precast Concrete coated with a suitable sealer

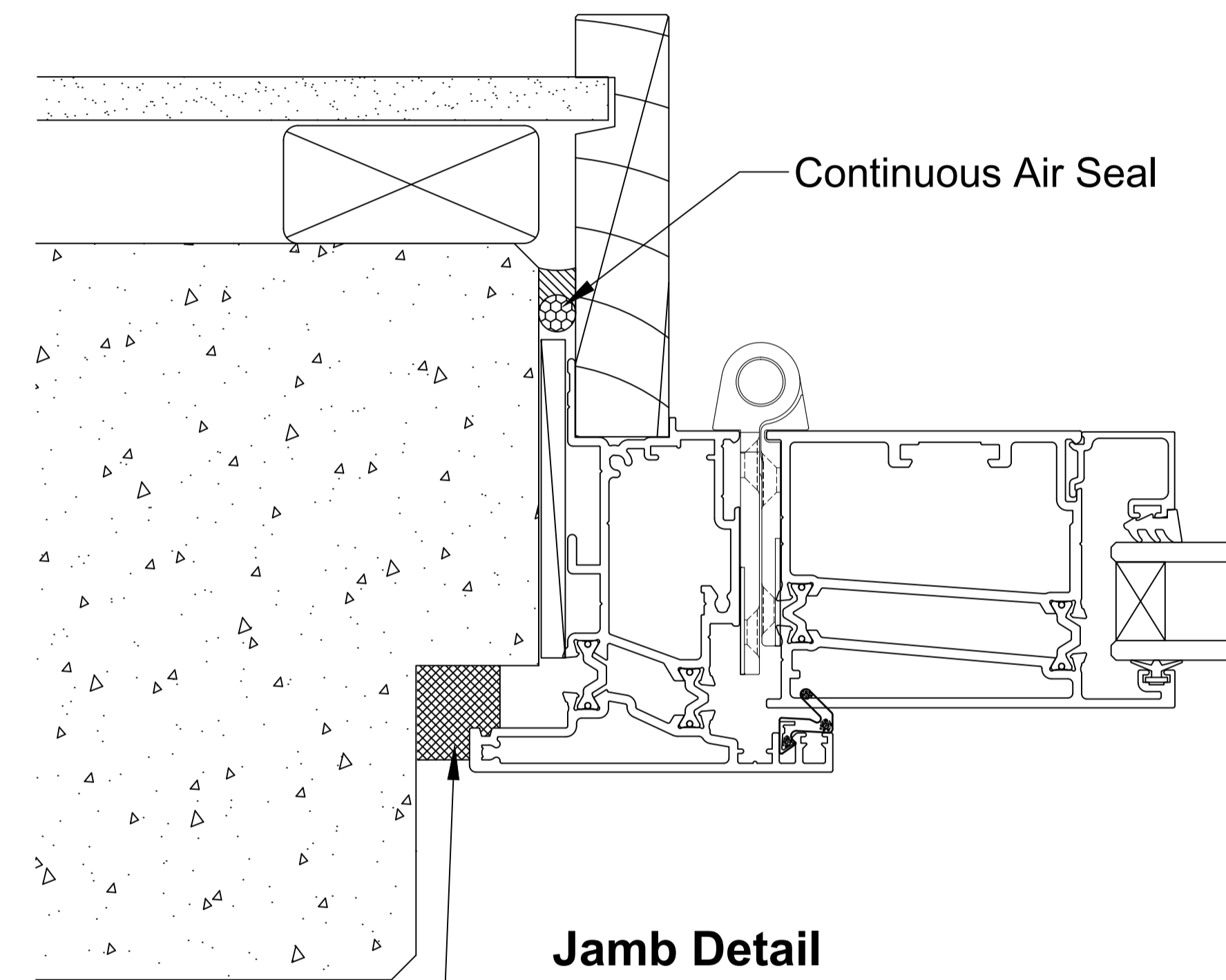
Angle Seal

Continuous Air Seal

Head Detail



Sill Detail



Jamb Detail

Note:

Avoid mortar contact with Aluminum Joinery, if contact is made wash off with warm soapy water immediately, no abrasive contact or solvents to be used.

Precast Concrete coated with a suitable sealer

Angle Seal

Continuous Air Seal

Head Detail

Sill Detail

Continuous Air Seal

WANZ Sill Pan

Rebated Sill Detail

Continuous Air Seal

Jamb Detail

Precast Concrete coated with a suitable sealer

Continuous seal

Jamb Detail

Note:

Avoid mortar contact with Aluminum Joinery, if contact is made wash off with warm soapy water immediately, no abrasive contact or solvents to be used.

Precast Concrete coated with a suitable sealer

Angle Seal

Head Detail

Continuous Air Seal

Sill Detail

Continuous Air Seal

Continuous Air Seal

Precast Concrete coated with a suitable sealer

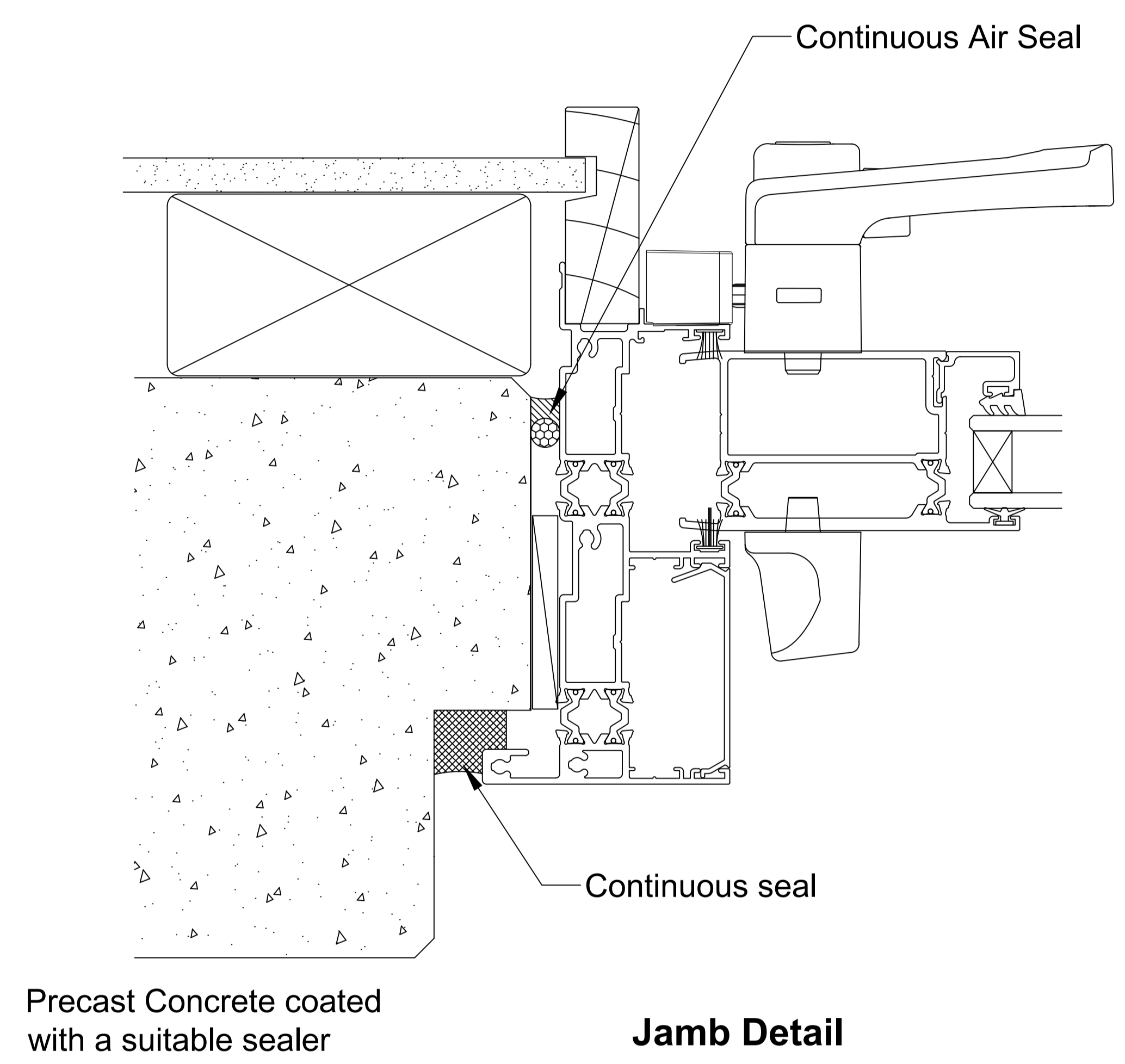
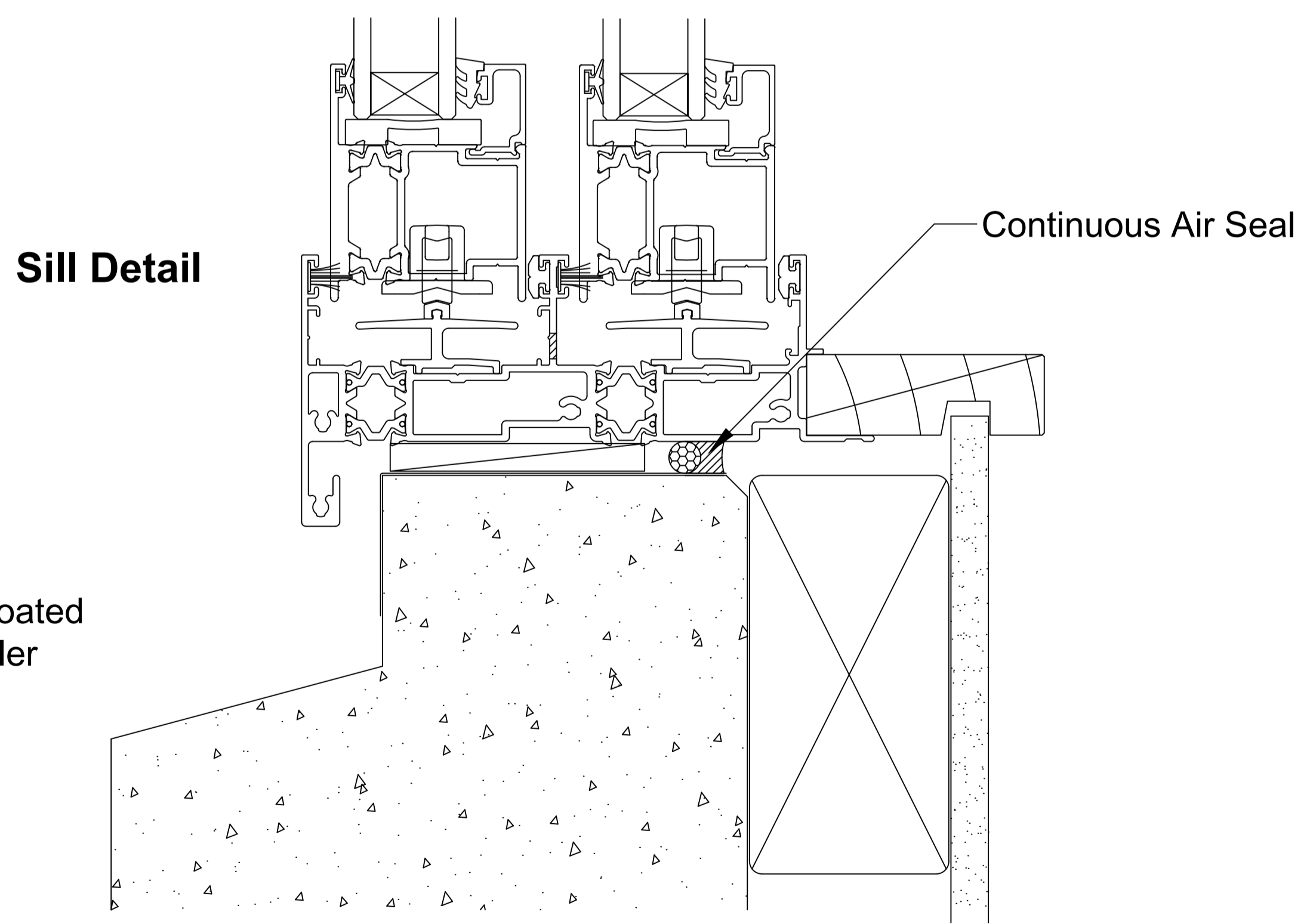
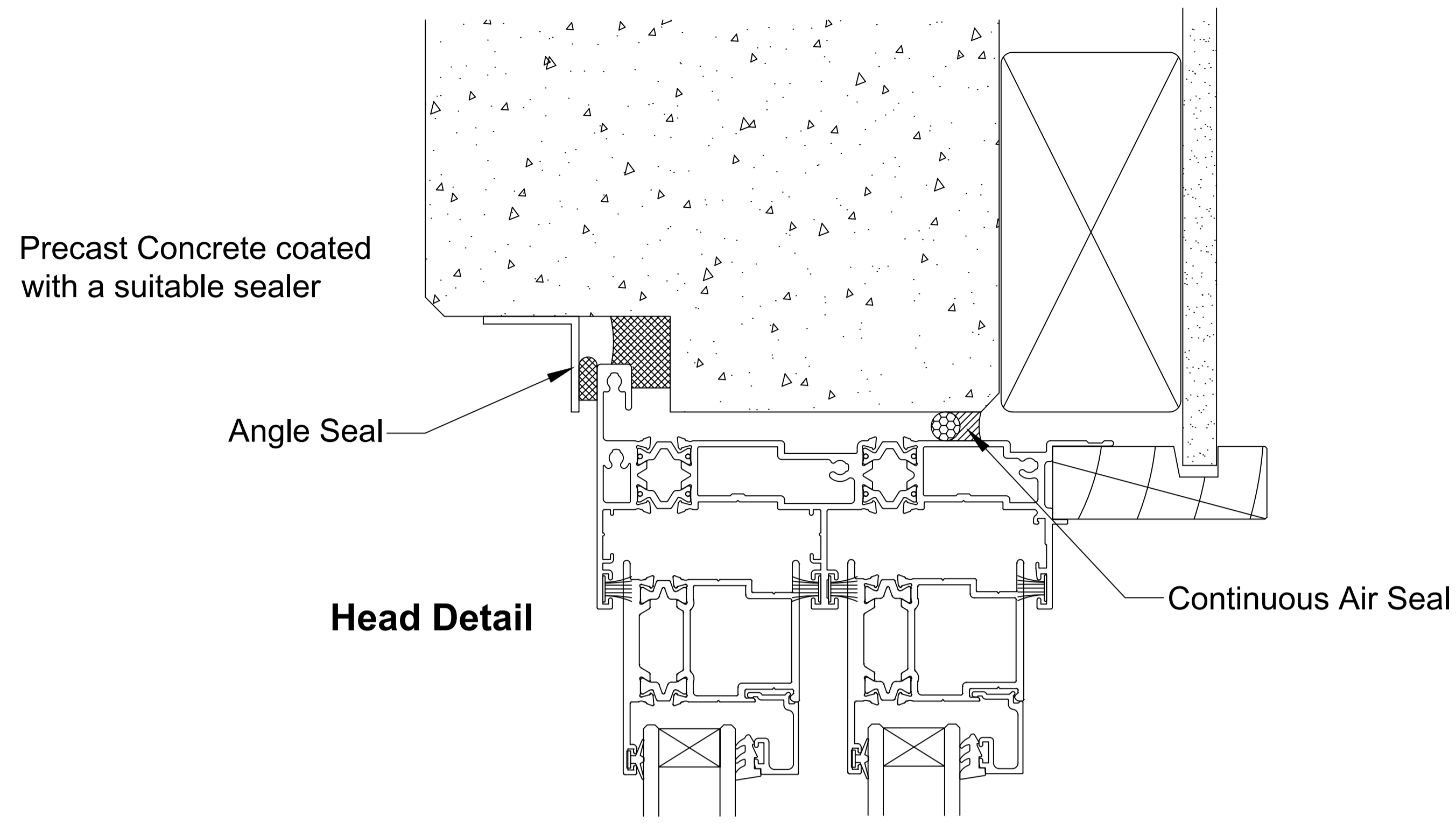
Jamb Detail

Continuous seal

Plaster finish as required or coat Concrete Block with a suitable sealer

Note:

Avoid mortar contact with Aluminum Joinery, if contact is made wash off with warm soapy water immediately, no abrasive contact or solvents to be used.



Note:
 Avoid mortar contact with Aluminum Joinery, if contact is made wash off with warm soapy water immediately, no abrasive contact or solvents to be used.