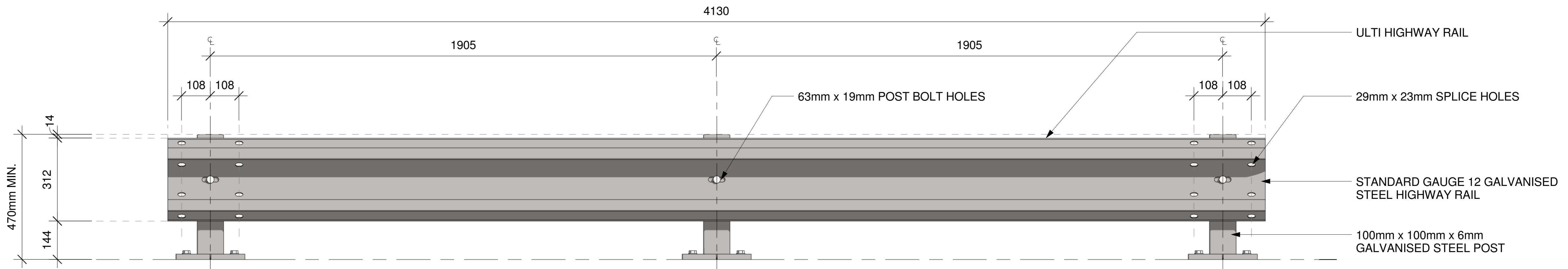
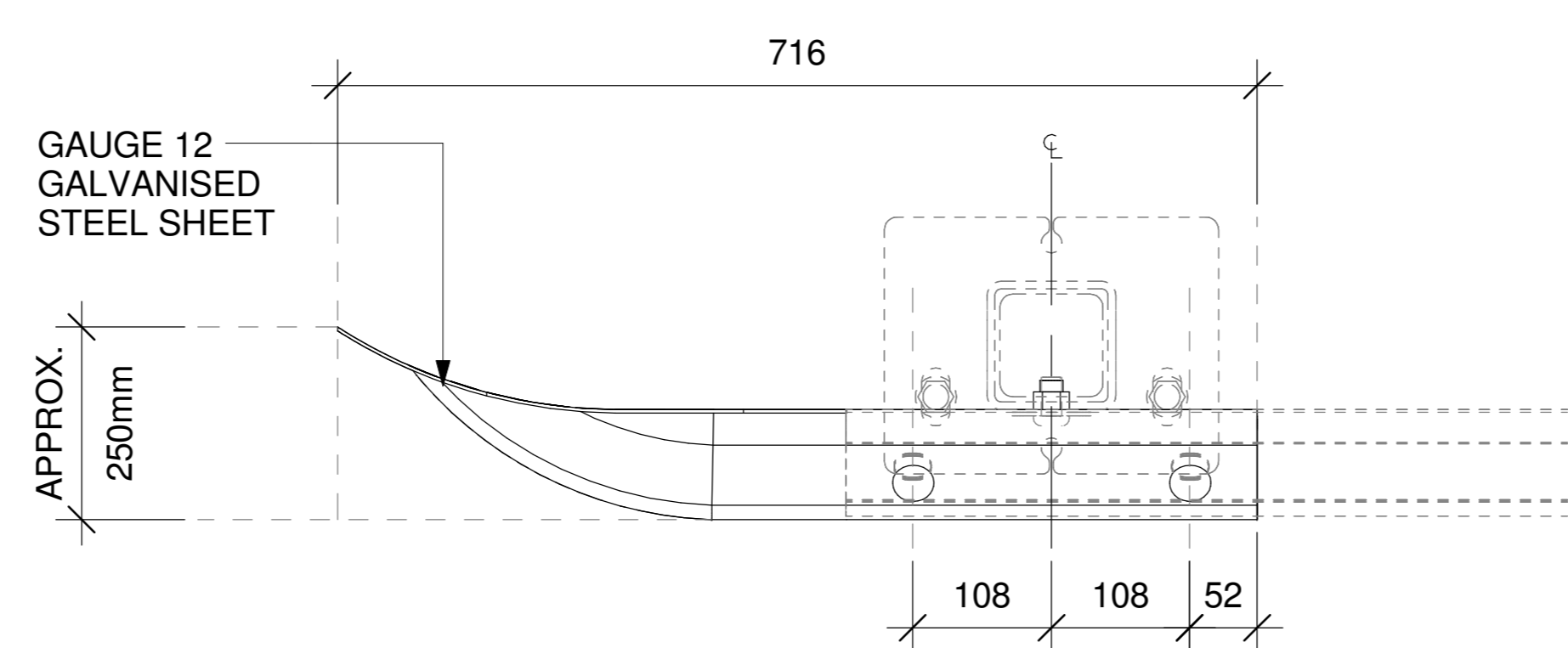


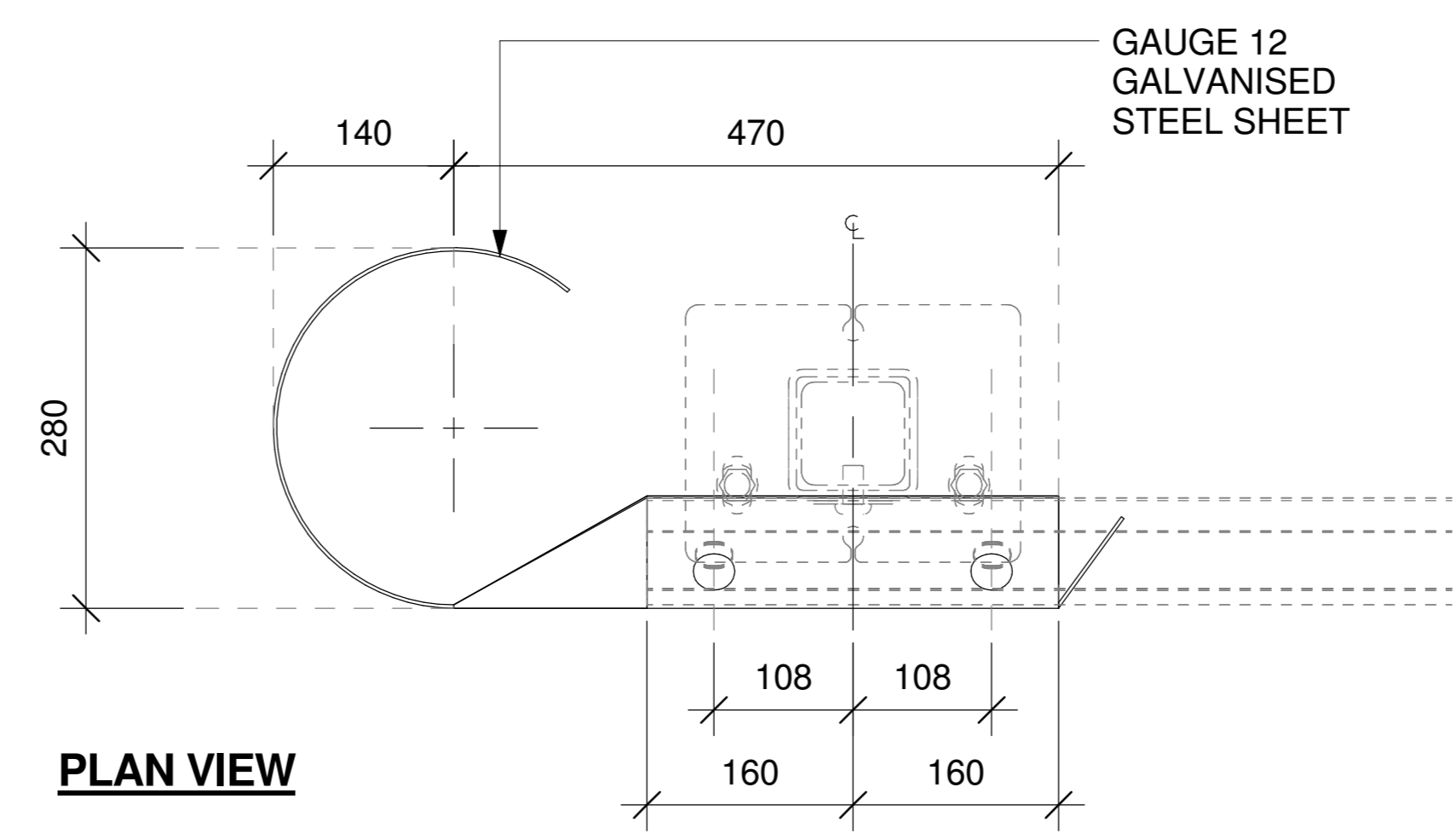
**1 ELEVATION DETAIL VIEW**  
 SCALE: 1:2 MTS.



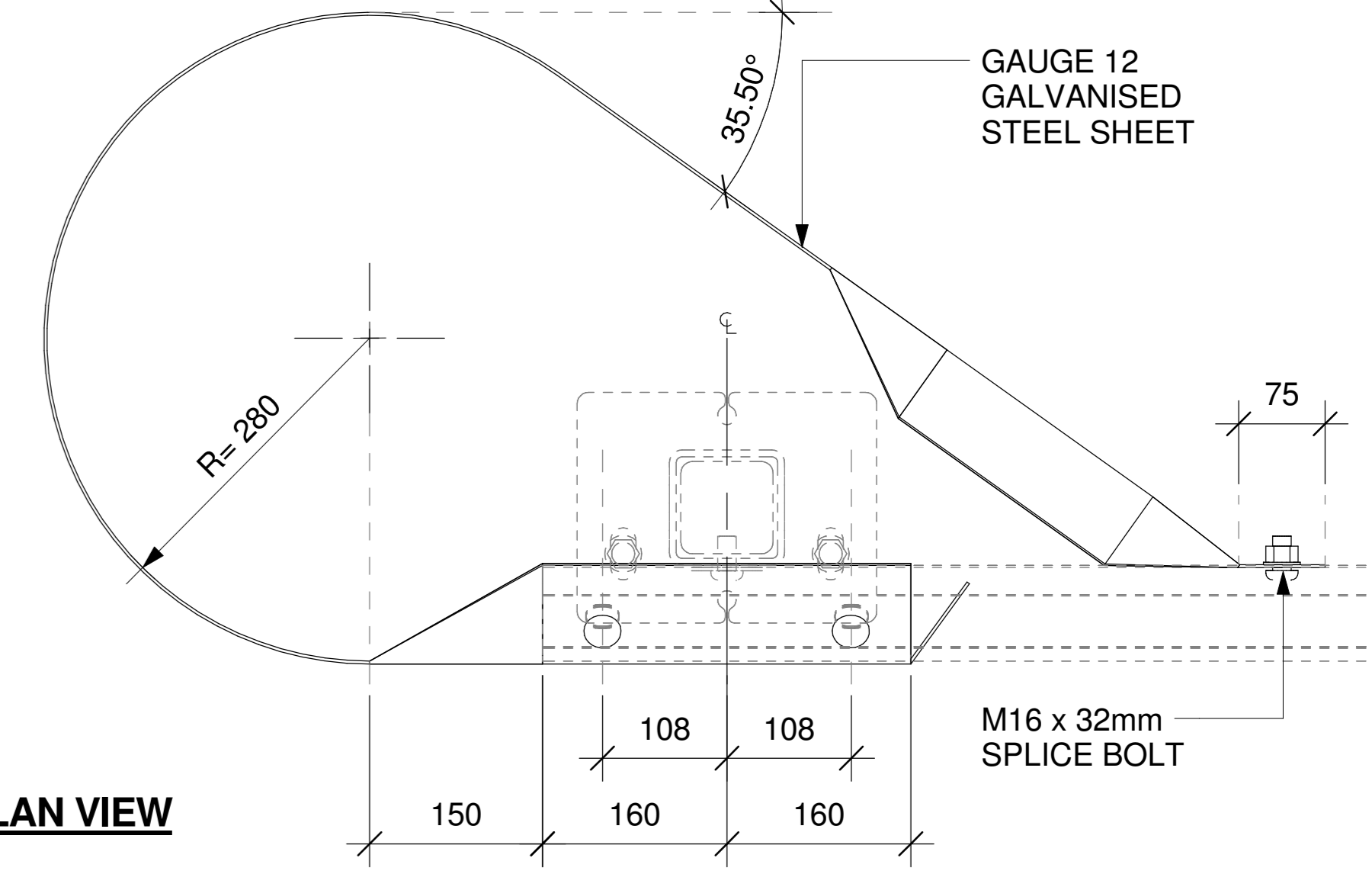
**3 ELEVATION DETAIL VIEW**  
 SCALE: 1:8 MTS.



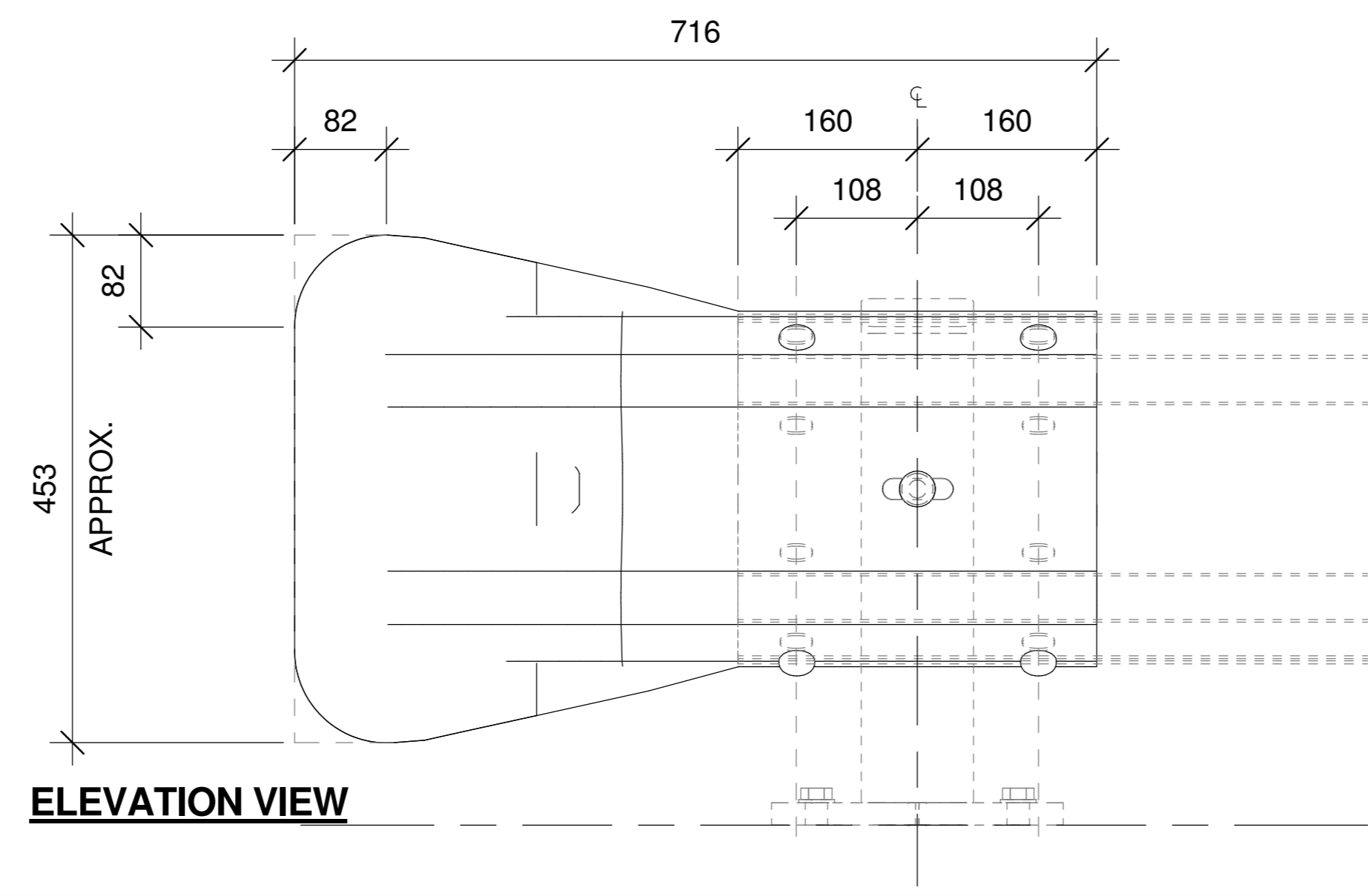
**PLAN VIEW**



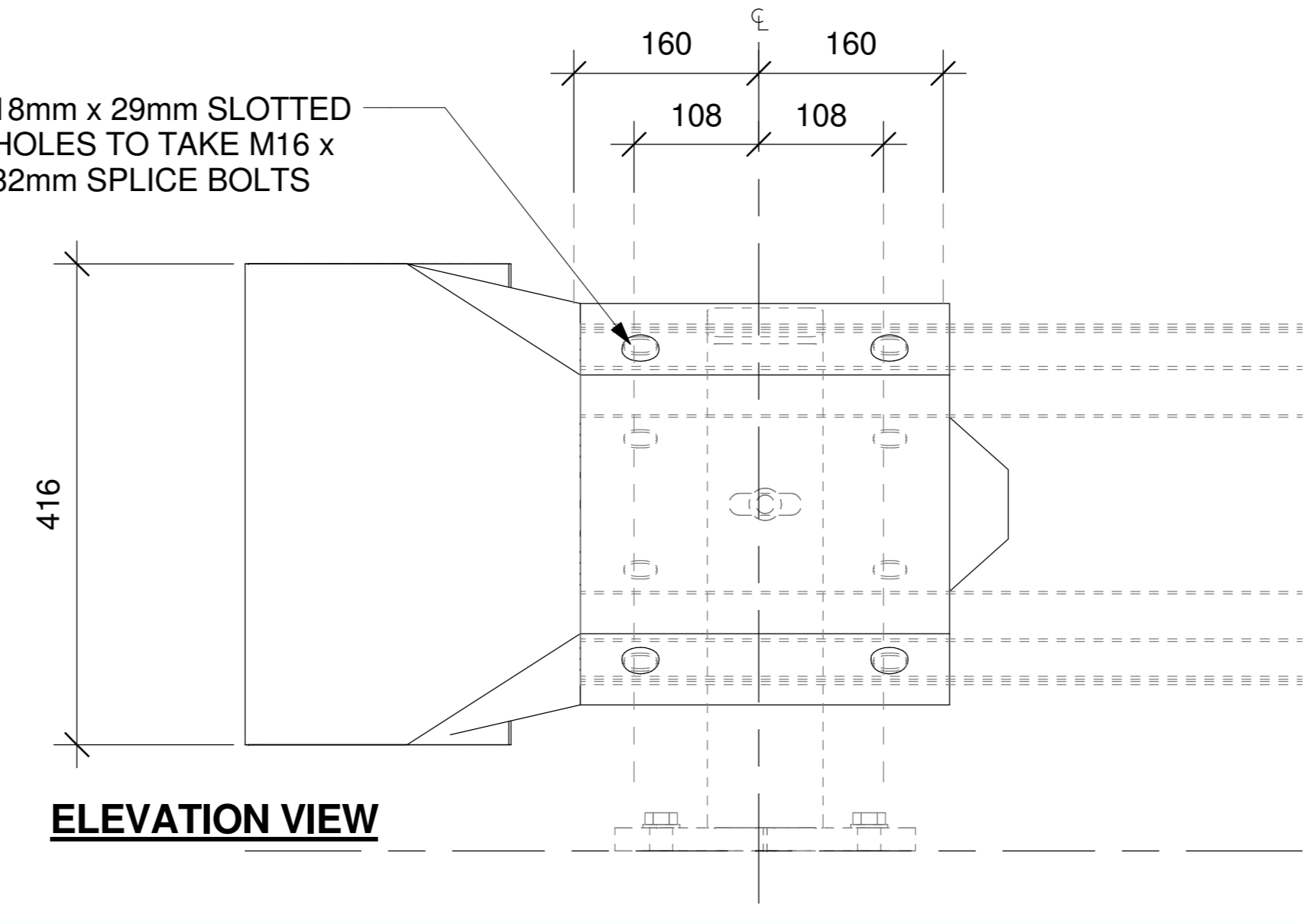
**PLAN VIEW**



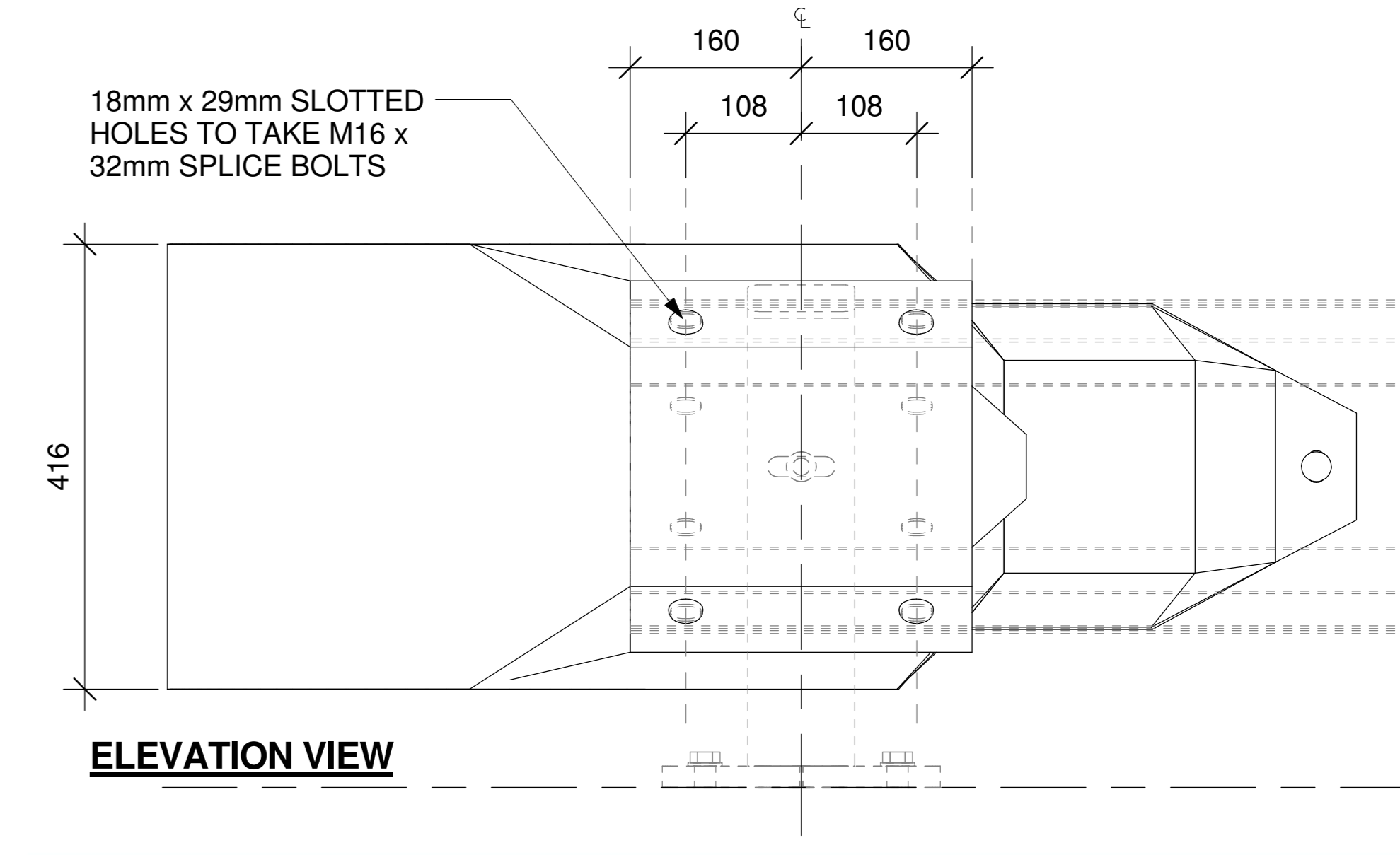
**PLAN VIEW**



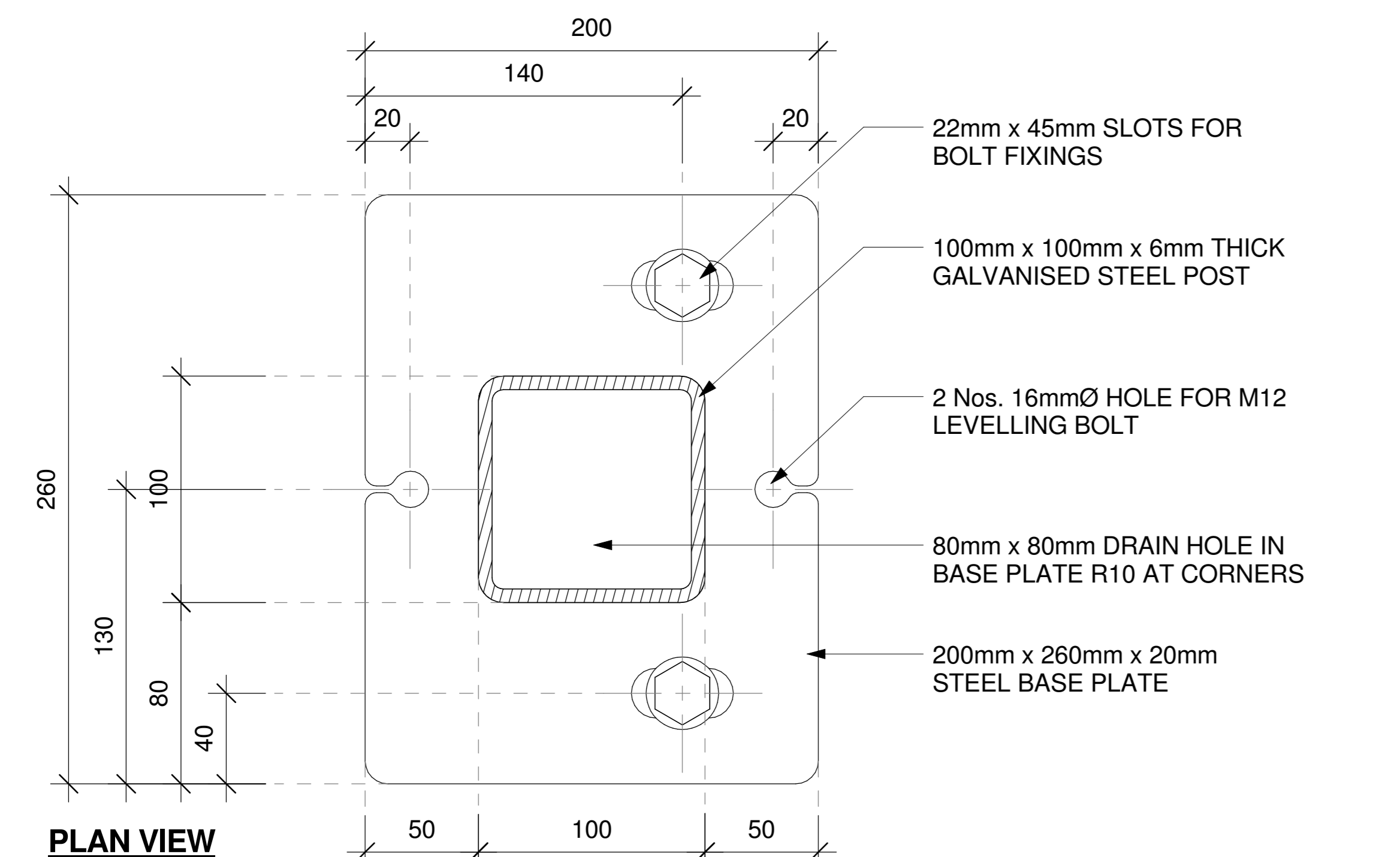
**ELEVATION VIEW**



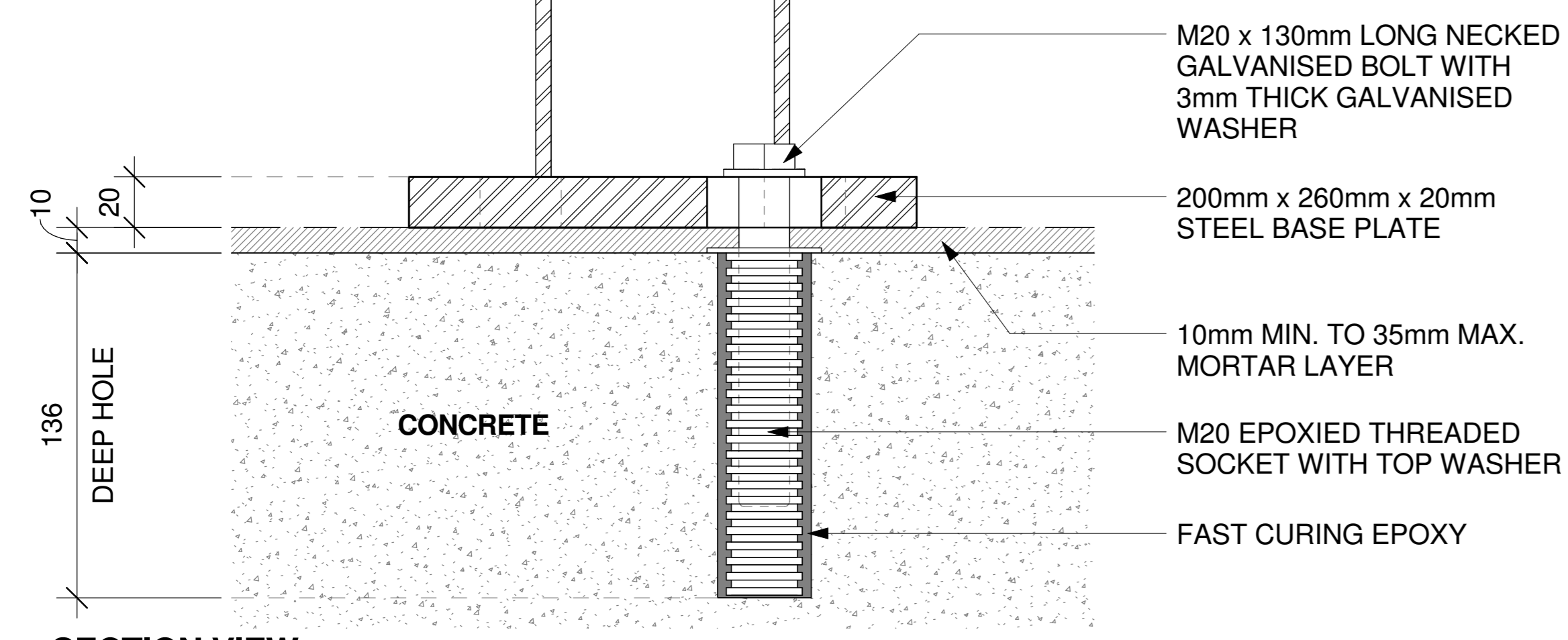
**ELEVATION VIEW**



**ELEVATION VIEW**

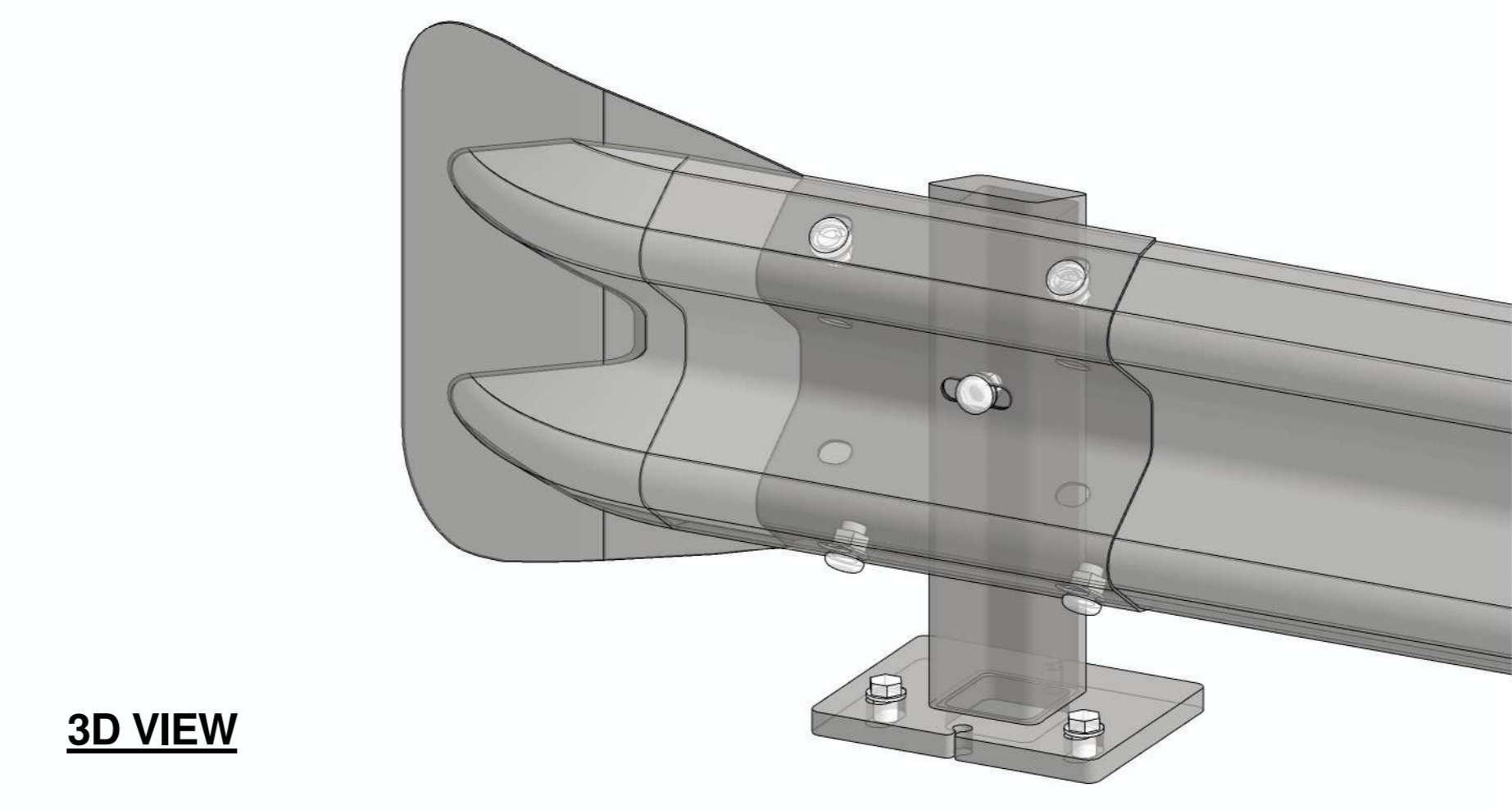


**PLAN VIEW**

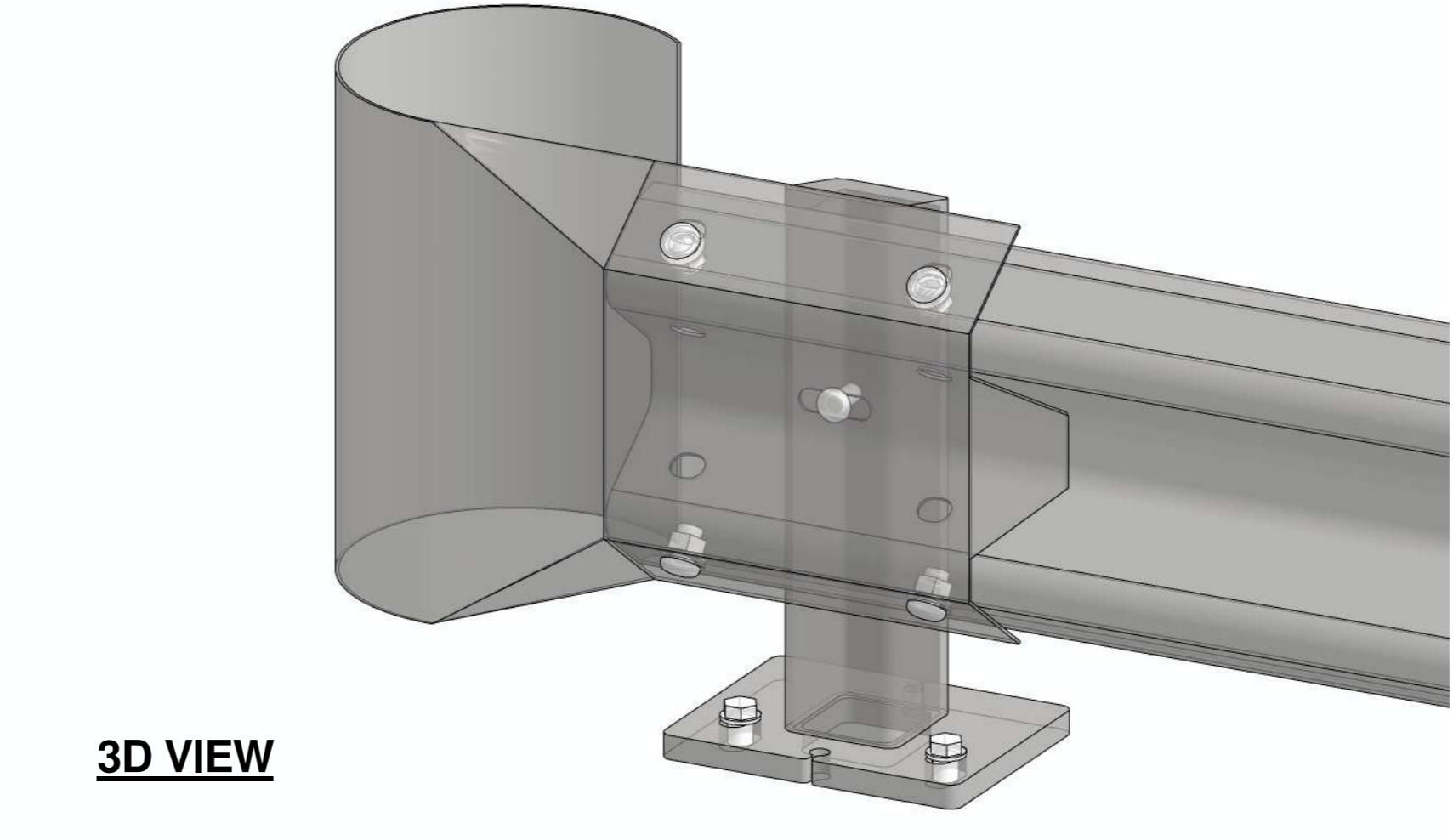


**SECTION VIEW**

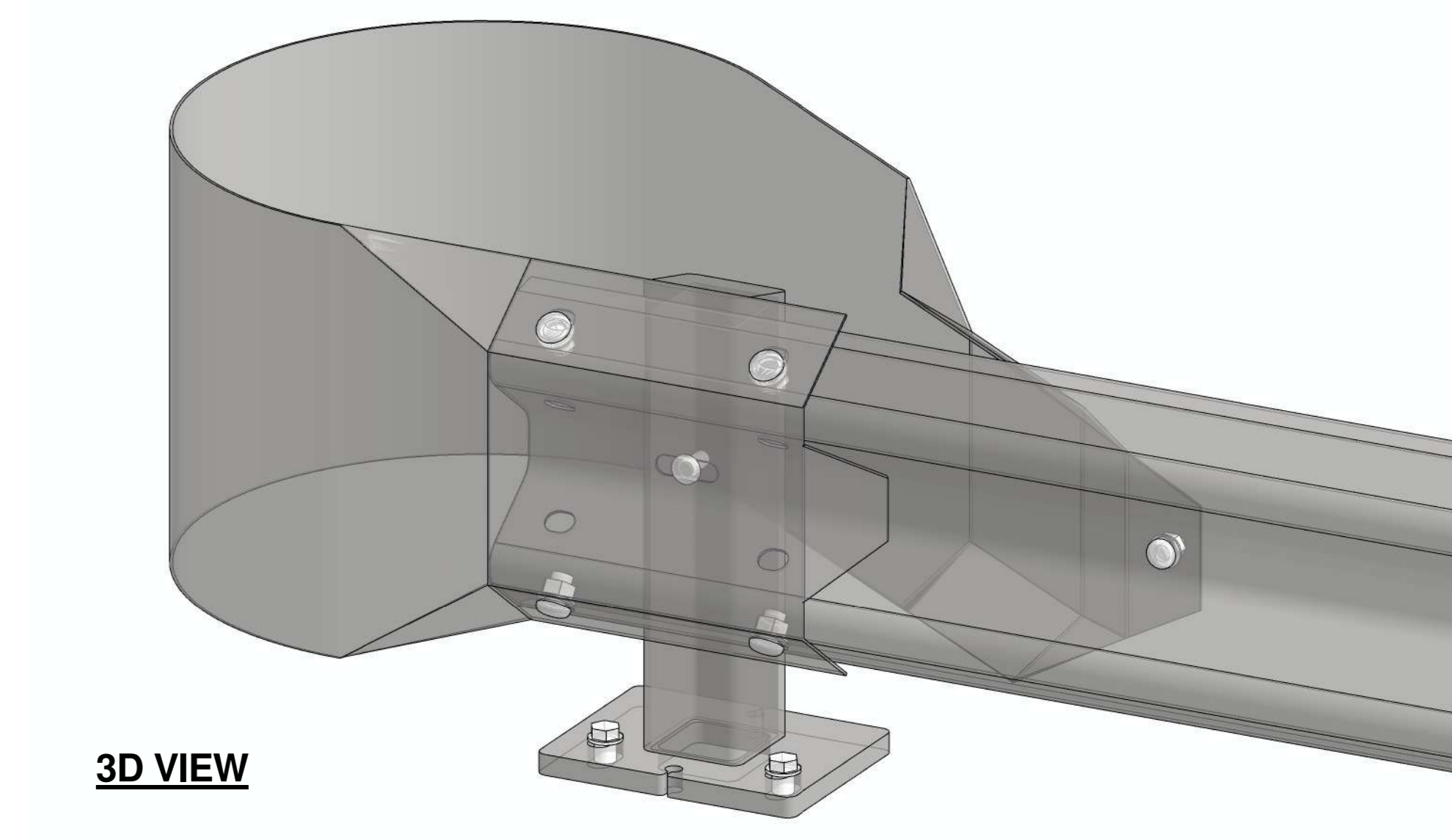
**2 BASE PLATE DETAIL**  
 SCALE: 1:2 MTS.



**3D VIEW**



**3D VIEW**



**3D VIEW**

**4 RAIL END FITTING - FISHTAIL**  
 SCALE: 1:5 MTS.

**5 RAIL END FITTING - ROLLED END**  
 SCALE: 1:5 MTS.

**6 RAIL END FITTING - BULLNOSE END**  
 SCALE: 1:5 MTS.

**UltiGroup**  
 SPECIALIST ACCESSWAY SOLUTIONS  
 www.ultigroup.co.nz  
 sales@ultigroup.co.nz  
 Phone: 0800 807 753  
 68 McLaughlins Road, Wiri, Auckland, 2104

©UltiGroup LTD, 2017

# Ulti Highway Rail

No.	Description	Date
1	APPROVED BY JP	SEP.07.2017

PLAN VIEW, ELEVATION AND 3D VIEW	
Project Number	-
Date	JULY.25.2017
Drawn By	J.ENRIQUEZ
<b>HIGHWAY-RAIL-001</b>	
Scale	As indicated @ A0

**NOTE:**  
 CONTACT ULTI GROUP FOR ANY CUSTOMISATIONS AND TO DISCUSS PROJECT SPECIFIC INFORMATION