

LCN 4310ME SERIES "Sentronic"

Cylinder Assemblies

4313(4)ME-3071	Cylinder Assembly	F, S, H, V
	<i>Includes mounting plate and all electronic components, Screw pack (WMS standard – please specify other). Cylinder assembly is sized, please specify (not adjustable)</i>	
4313(4)ME-3071B80	Cylinder Assembly w/B80	F, S, H, V
	<i>Includes mounting plate and all electronic components, Screw pack (WMS standard – please specify other). Cylinder assembly is sized, please specify (not adjustable)</i>	
4313(4)ME-3071B140	Cylinder Assembly w/B140	F, S, H, V
	<i>Includes mounting plate and all electronic components, Screw pack (WMS standard – please specify other). Cylinder assembly is sized, please specify (not adjustable)</i>	

Individual Cylinder Parts

Individual cylinder parts for 4313(4)ME-3071

4310ME-18	Mounting Plate	F, H
4310ME-61	Shaft Spacer	
4310ME-159	Arm Screw	F
4310ME-3351	On/Off Switch Assembly	V
4310ME-3354	ME Wiring Harness	
	<i>3 wire, Length is 6" (152mm)</i>	
4313(4)ME-3971	Cylinder Only	F, S, H, V
	<i>Includes solenoid only – no other electronic components, Screw pack (WMS standard – please specify other). Cylinder assembly is sized, please specify (not adjustable)</i>	
4313(4)ME-3971B80	Cylinder Only w/B80	F, S, H, V
	<i>Includes solenoid only – no other electronic components, Screw pack (WMS standard – please specify other). Cylinder assembly is sized, please specify (not adjustable)</i>	
4313(4)ME-3971B140	Cylinder Only w/B140	F, S, H, V
	<i>Includes solenoid only – no other electronic components, Screw pack (WMS standard – please specify other). Cylinder assembly is sized, please specify (not adjustable)</i>	

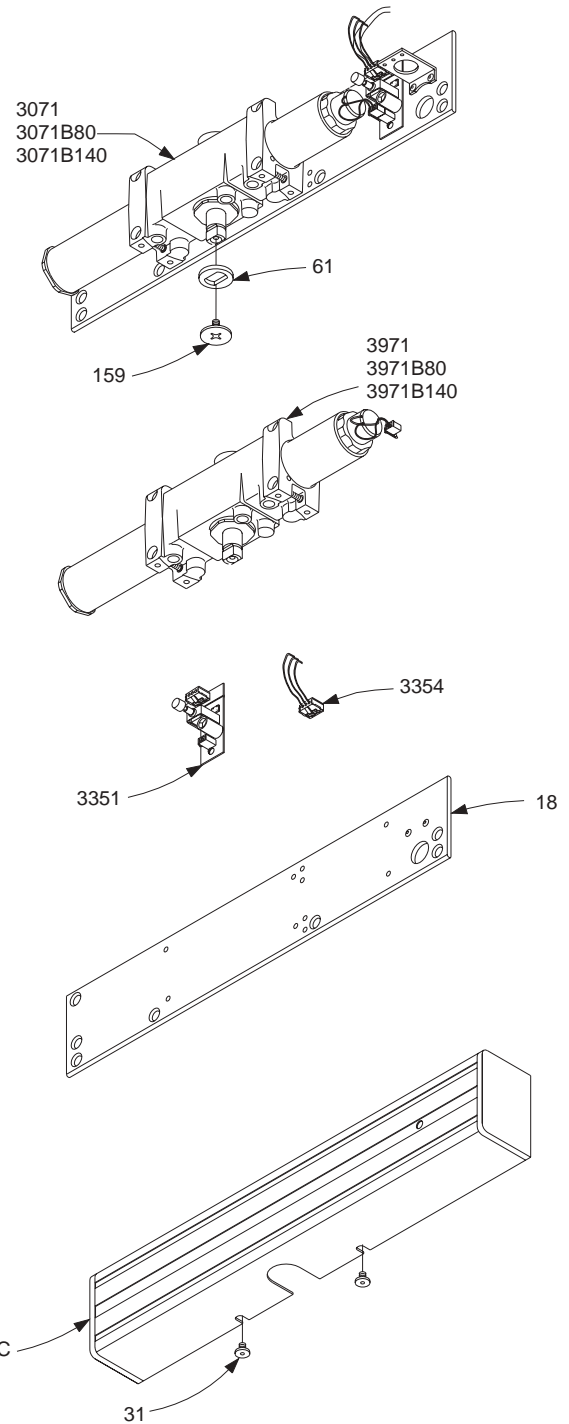
Covers

4310ME-72MC	Metal Cover	F, H
	<i>Includes 4310ME-31 (3)</i>	

Individual Cover Parts

Individual cover parts for 4310ME-72MC

4310ME-31	Cover Screw	F
-----------	-------------	---



Please specify finish (F), size (S), hand (H), & voltage (V) where indicated. See the latest edition of the LCN Catalog for part descriptions and specifications on many of the items shown above. List prices for items shown above can be located in the current LCN Price List.

LCN 4310ME SERIES "Sentronic"

Arm Assemblies

4310ME-3077DE	Double Egress Arm	F, H
	<i>Includes 4310ME-159 & -425</i>	
4310ME-3077SF	Swing Free Arm	F, H
	<i>Includes 4310ME-83, -159 & -425</i>	

Individual Arm Parts

Individual arm parts for 4310ME-3077SF

4310ME-61	Shaft Spacer	
4310ME-83	Arm Screw	F
4310ME-159	Arm Screw	F
4310ME-425	Roller Locking Screw	
4310ME-3034	Track Roller	

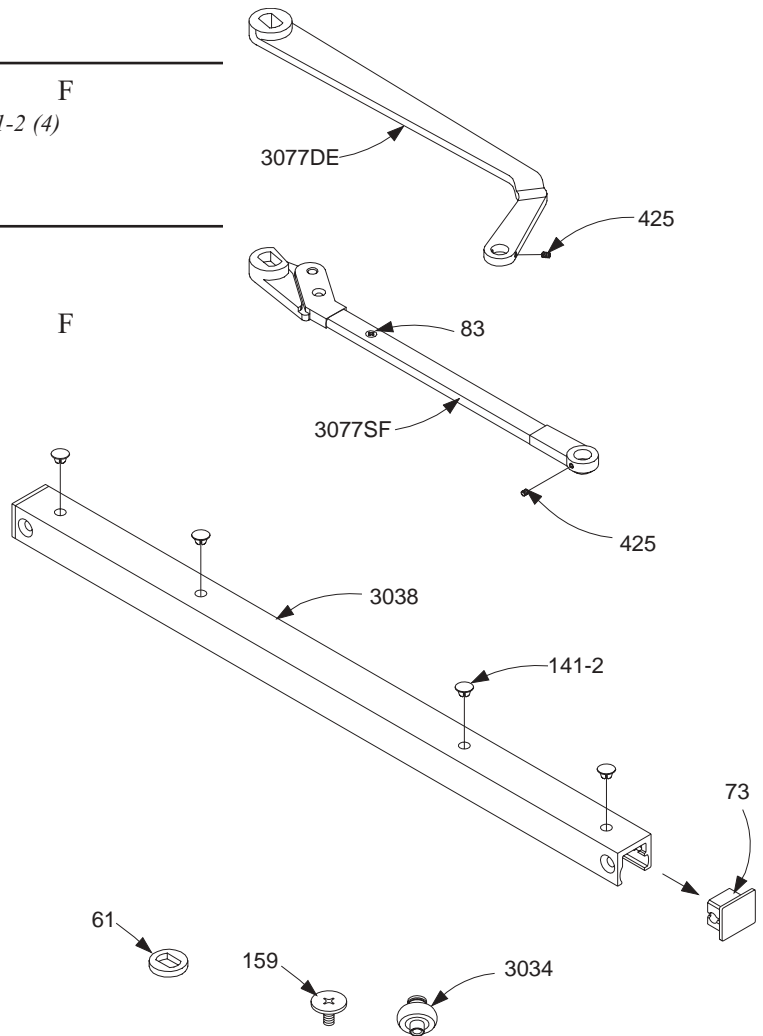
Track Assemblies

4310ME-3038	Standard Track	F
	<i>Includes 4310ME-73 (2), & -141-2 (4)</i>	
	<i>Length is 22 3/4" (578mm)</i>	

Individual Track Parts

Individual track parts for 4310ME-3038

4310ME-73	End Cap	
4310ME-141-2	Track Plug	F
4310ME-3034	Track Roller	



Please specify finish (F), size (S), hand (H), & voltage (V) where indicated. See the latest edition of the LCN Catalog for part descriptions and specifications on many of the items shown above. List prices for items shown above can be located in the current LCN Price List.