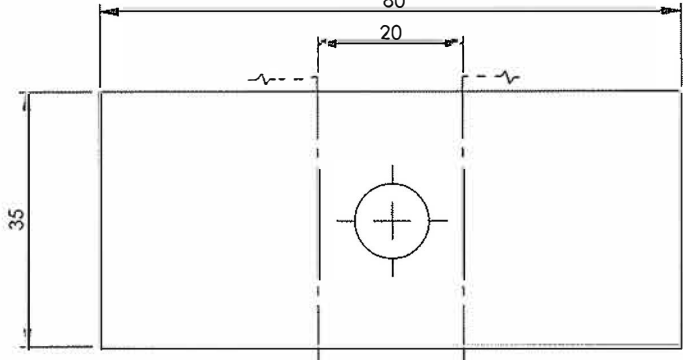
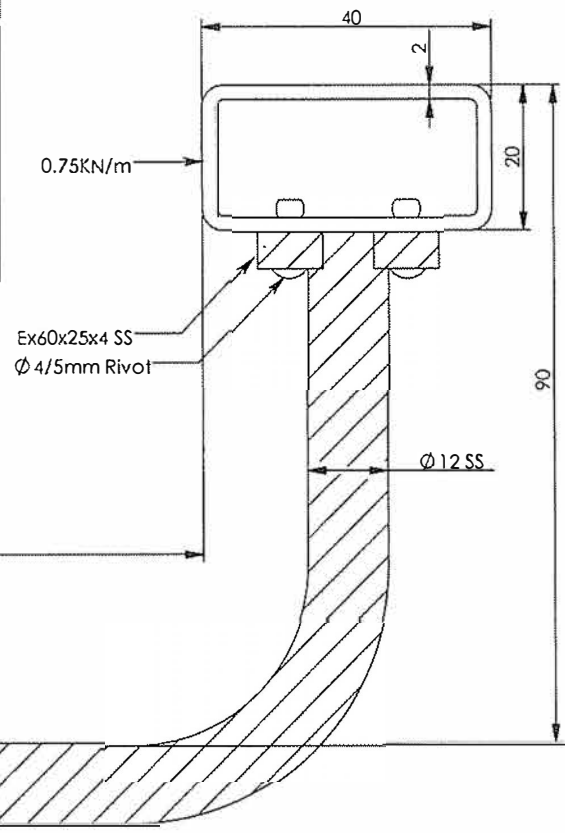


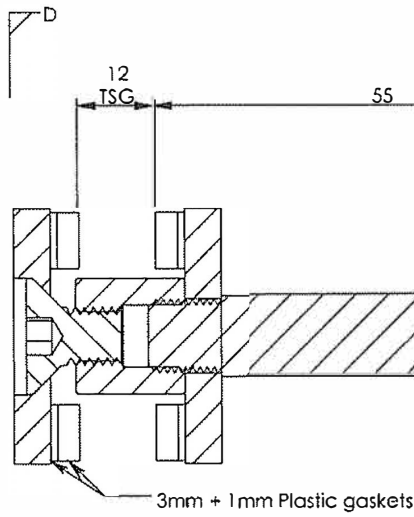
0.75kN/m Imposed Action
12mm Toughened Safety Glass Balustrade and 40 x 20 x 2
RHS Handrail
80



Section D



Section C



3mm + 1mm Plastic gaskets

Lapish Enterprises Ltd

84 Stanford Park Rd.
Hillsborough, Auckland New
Zealand
Phone 0064 09 6254823
0064 09 6255085
Fax 0064 09 6254825
Mob 021 795 004

Notes: Refer to sheet 4 Vice
Clamps for moment
capacities

Revisions:

Date	Sept 2017
Designer	E Lapish
Drawer	S Brockett
Checked	
Scale	1:10/1:30
Size	A4

Project	
Gloss Vice Balustrades & Handrail to NZBC B1/VMI Clause 2.2.7 AS/NZS 1170 Part 1 Clause 3.6	
Project Number 3757	
Sheet 2	Revision A