





**KEY**

-  Framing
-  Batten
-  Corner Batten
-  Vertical Track Flashing

**Batten options**

1. Treated timber battens should have castellated profile to permit air passage and minimum 15° slope edge to shed water.

Impervious barrier ( MDPE ) or similar tape between cladding and batten.  
To comply with NZBC E2/AS1 - table 23.

Note:  
Some machining of vertical battens may be required to avoid "build up".  
i.e. back flashings / tapes

2. Cavity plastic Batten

Note:  
packing/shims may be needed to ensure boards are fitted flat without distortion.

\* Additional timber may be required at soffit to support UA 5831 Soffit Base.

**Note: Important**

Underlay strips to isolate aluminium from treated timber battens 50 mm wide medium density polyethylene ( MDPE )

To comply with NZBC E2/AS1 - table 23. Properties of roofing underlays and wall underlays, separates aluminium components and accessories from timber battens treated with copper-based treatments in NZS 3604.

Cavity closers required as per NZBC clause E2/AS1 ( section 9.1.8 )

0.9 x 90mm Aluminium Track Flashing.  
Alternatively use Dynex Dynaflash.

Locator Clips fixed at Max 600 mm horizontal centres with 8g x 2" CSK Sq S/S self tapping screws through batten into stud.

Vertical cavity batten (corners only) fixed with 6g x 1.25" CSK Sq S/S pre-drilled screws through batten into stud

5 MIN

Minimum 5 mm clearance to allow for thermal expansion

Ultraclad® UA 7094 Female Corner Flashing

Ultraclad® UA 7095 Male Corner Flashing fixed to timber battens with 30 x 2.5 mm stainless steel clouts at 600 mm vertical centres

5 MIN

Ultraclad® UA 7401 weatherboard

Note: Underlay strips to isolate aluminium from treated timber battens Refer V00

Cavity batten Refer V00 Batten Options

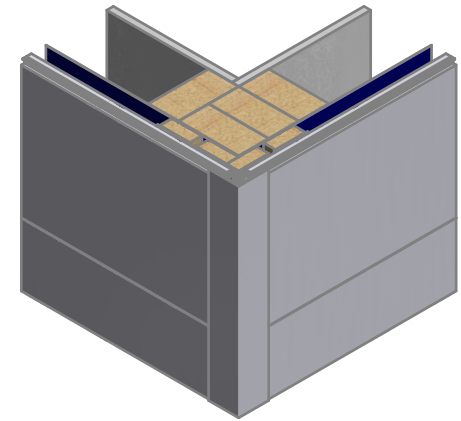
Locator Clip UA 4535

Building underlay continuous around corner

Wall frame

Interior lining

Note: Ensure to alternate spacings of fixings for battens and Locator Clips to avoid risk of splitting batten



**ULLTRACLAD**®  
ALUMINIUM WEATHERBOARDS

ULLTRACLAD ALUMINIUM CO LTD  
PO Box 98 843 Manukau City Auckland 2241  
118 Wiri Station Road Wiri 2104 New Zealand  
TL 09 262 6262 Ext. 814 Mob 021 541 563  
www.ulltraclad.co.nz  
© ULLRICH ALUMINIUM - All Rights Reserved

**H01**  
Rev : 08

**External Corner on Cavity**  
**UA 7401 INFINITY BOARD**

**HORIZONTAL CAVITY SYSTEM**  
Scale: 1 : 2 @ A4 - 2017

Brnz Appraisal #487 2012. (Horizontal)

Ultraclad® UA 7401 weatherboard (horizontal)  
 Locator Clips fixed at Max 600 mm horizontal centres with 8g x 2" CSK Sq S/S self tapping screws through batten into stud.

Note: Underlay strips to isolate aluminium from treated timber battens Refer V00

Ultraclad® UA 7094 Female Corner Flashing fixed to timber battens with 30 x 2.5 mm stainless steel clouts at 600 mm vertical centres

Minimum 5 mm clearance to allow for thermal expansion

Ultraclad® UA 7095 Male Corner Flashing

Interior lining

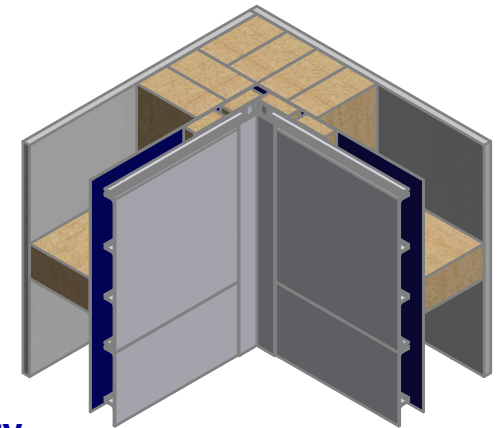
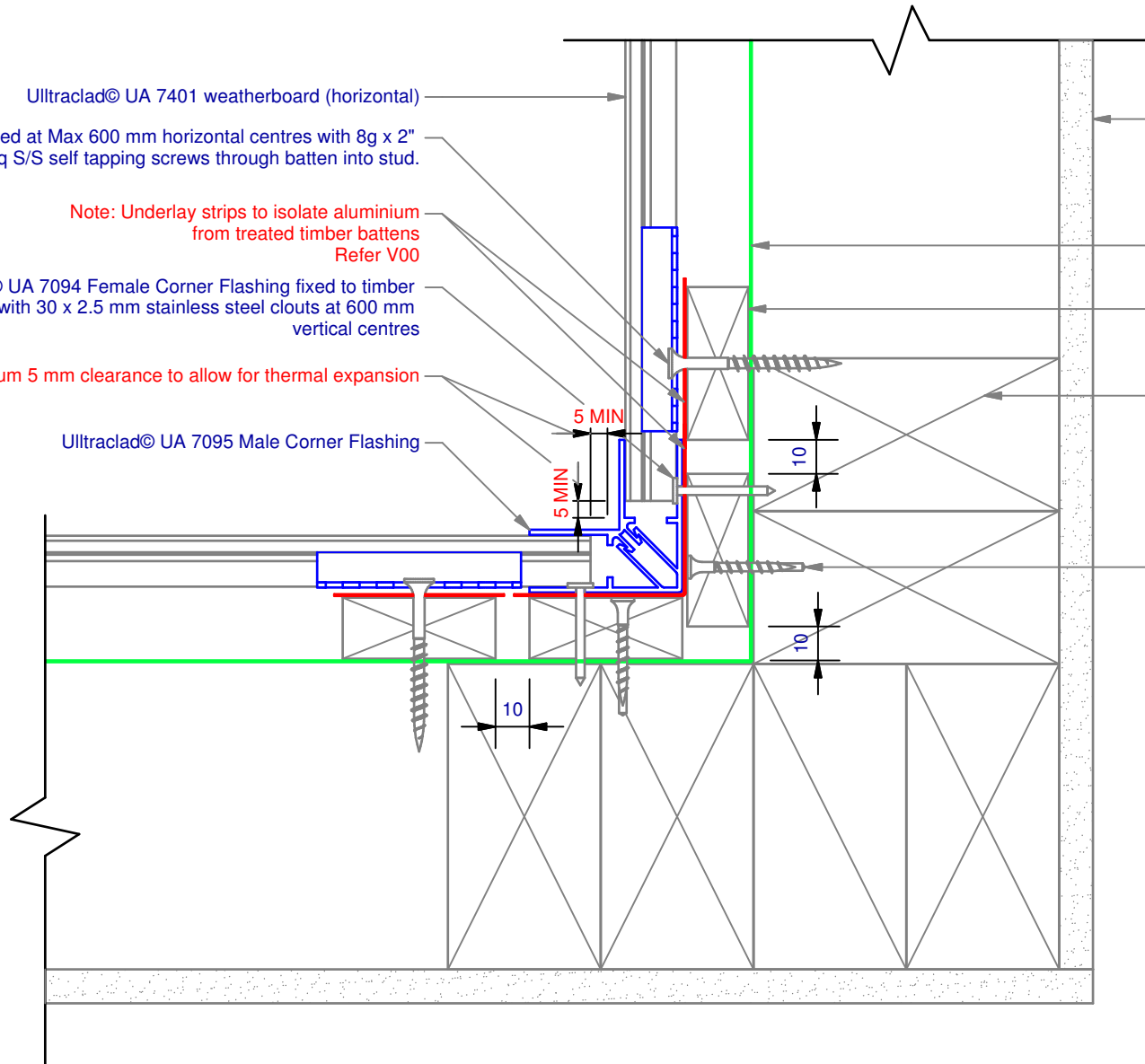
Building underlay continuous around corner

Cavity batten Refer V00 Batten Options

Note: double stud required at internal corners

Vertical cavity batten (corners only) fixed with 6g x 1.25" CSK Sq S/S pre-drilled screws through batten into stud

Note: Ensure to alternate spacings of fixings for battens and Locator Clips to avoid risk of splitting batten



**ULLTRACLAD**®  
 ALUMINIUM WEATHERBOARDS

ULLTRACLAD ALUMINIUM CO LTD  
 PO Box 98 843 Manukau City Auckland 2241  
 118 Wiri Station Road Wiri 2104 New Zealand  
 TL 09 262 6262 Ext. 814 Mob 021 541 563  
 www.ulltracalad.co.nz  
 © ULLRICH ALUMINIUM - All Rights Reserved

**H02**

Rev : 08

**Internal Corner on Cavity**

**UA 7401 INFINITY BOARD**

**HORIZONTAL CAVITY SYSTEM**

Scale: 1 : 2 @ A4 - 2017

Brnz Appraisal #487 2012. (Horizontal)

Minimum 5 mm clearance to allow for thermal expansion

Ultraclad® UA 6324 Jointer Bottom fixed to wall frame with 30 x 2.5 mm clouts at 600 mm centres

Cavity batten Refer V00 Batten Options

Note: Underlay strips to isolate aluminium from treated timber battens Refer V00

5 MIN 5 MIN

Minimum 5 mm clearance to allow for thermal expansion

Ultraclad® UA 7096 Flat Jointer Top

Ultraclad® UA 7401 weatherboard

Building underlay

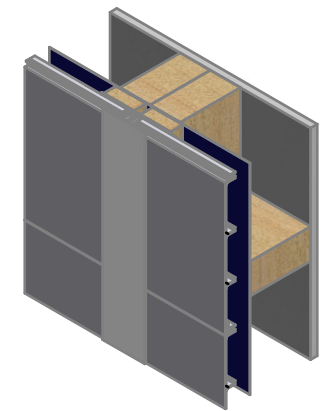
Drained and vented cavity as per NZBC clause E2/AS1 (section 9.1.8)

10

Note: Ensure to alternate spacings of fixings for battens and Locator Clips to avoid risk of splitting batten

Interior lining

Double studs behind vertical jointer



**ULLTRACLAD**®  
ALUMINIUM WEATHERBOARDS

ULLTRACLAD ALUMINIUM CO LTD  
PO Box 98 843 Manukau City Auckland 2241  
118 Wiri Station Road Wiri 2104 New Zealand  
TL 09 262 6262 Ext. 814 Mob 021 541 563

www.ulltracalad.co.nz

© ULLRICH ALUMINIUM - All Rights Reserved

**H03**

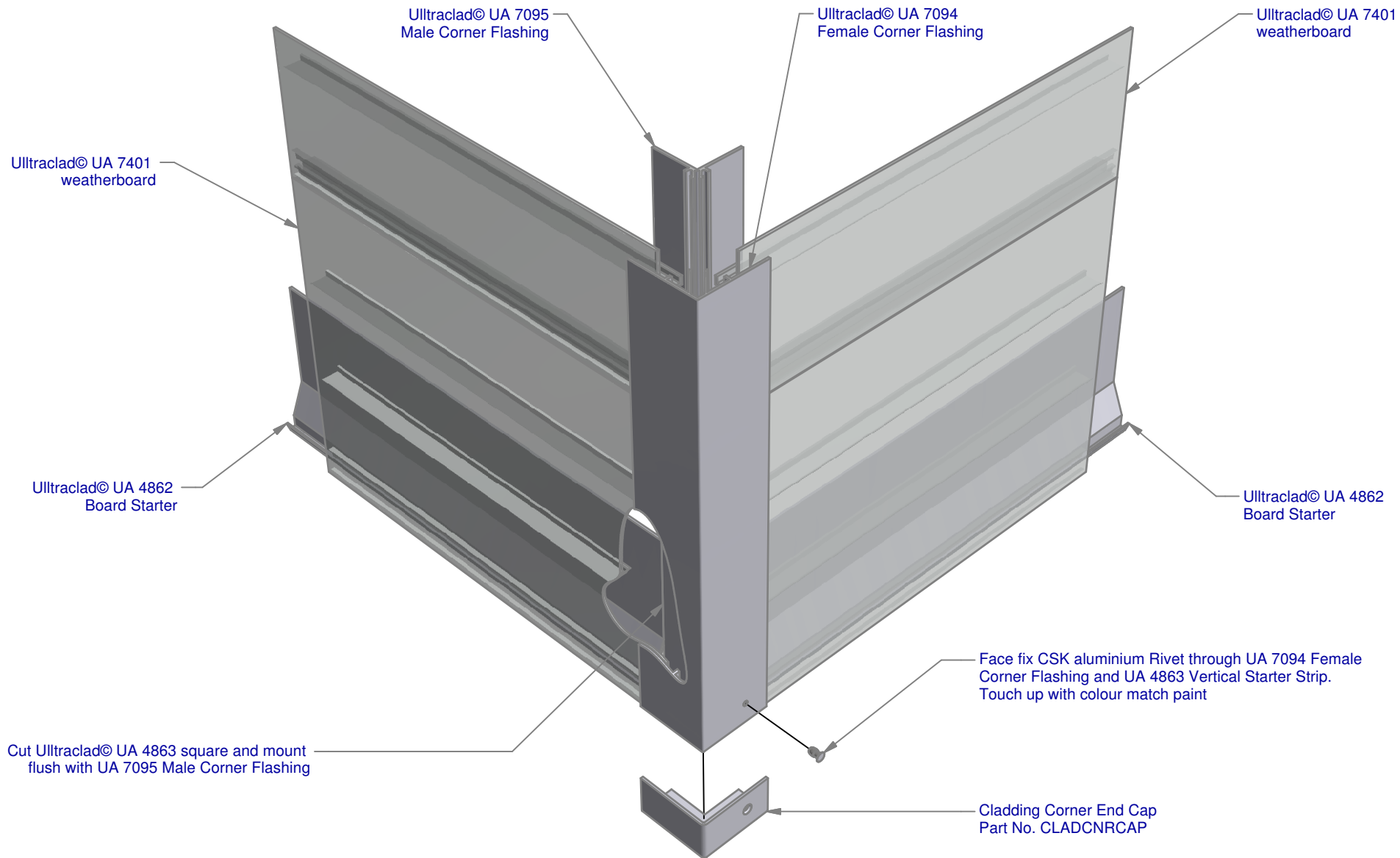
Rev : 08

**Horizontal Wall Jointer**  
**UA 7401 INFINITY BOARD**

**HORIZONTAL CAVITY SYSTEM**

Scale: 1 : 2 @ A4 - 2017

Brnz Appraisal #487 2012. (Horizontal)



Ulltraclad® UA 7401 weatherboards (horizontal) fixed with Locator Clips fixed at Max 600 mm horizontal centres with 8g x 2" CSK Sq S/S self tapping screws through batten into stud.

Cavity batten  
Refer V00 Batten Options

Building underlay

Note: Underlay strips to isolate aluminium from treated timber battens  
Refer V00

Cavity batten  
Refer V00 Batten Options

Ulltraclad® UA 4862 Board Starter or alternatively use UA 4863 fixed to bottom plate with 50 x 2.5mm clouts at 600 mm centres

Ulltraclad® Cavity Vent Strip  
Alternatively use PVC type

Note: 100 mm minimum to permanent paving or 175 mm to unpaved ground to clause 9.1.3 of E2/AS1

Concrete slab or Blockwork

Finished ground level

Interior lining

Bottom plate over DPC

Note: Ensure to alternate spacings of fixings for battens and Locator Clips to avoid risk of splitting batten

10

6 mm overhang (optional)

50

100

**ULLTRACLAD**<sup>®</sup>  
ALUMINIUM WEATHERBOARDS

ULLTRACLAD ALUMINIUM CO LTD  
PO Box 98 843 Manukau City Auckland 2241  
118 Wiri Station Road Wiri 2104 New Zealand  
TL 09 262 6262 Ext. 814 Mob 021 541 563

www.ulltraclad.co.nz

© ULLRICH ALUMINIUM - All Rights Reserved

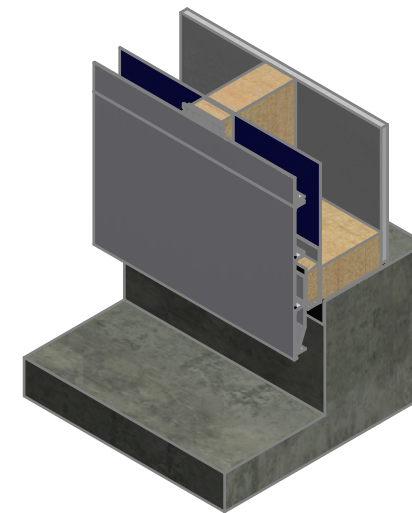
**H05**

Rev : 08

**Vertical Wall Starter**  
**UA 7401 INFINITY BOARD**

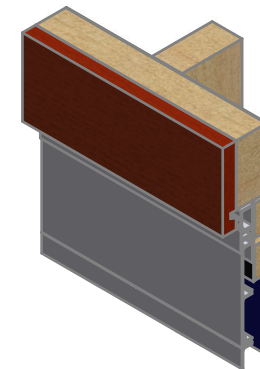
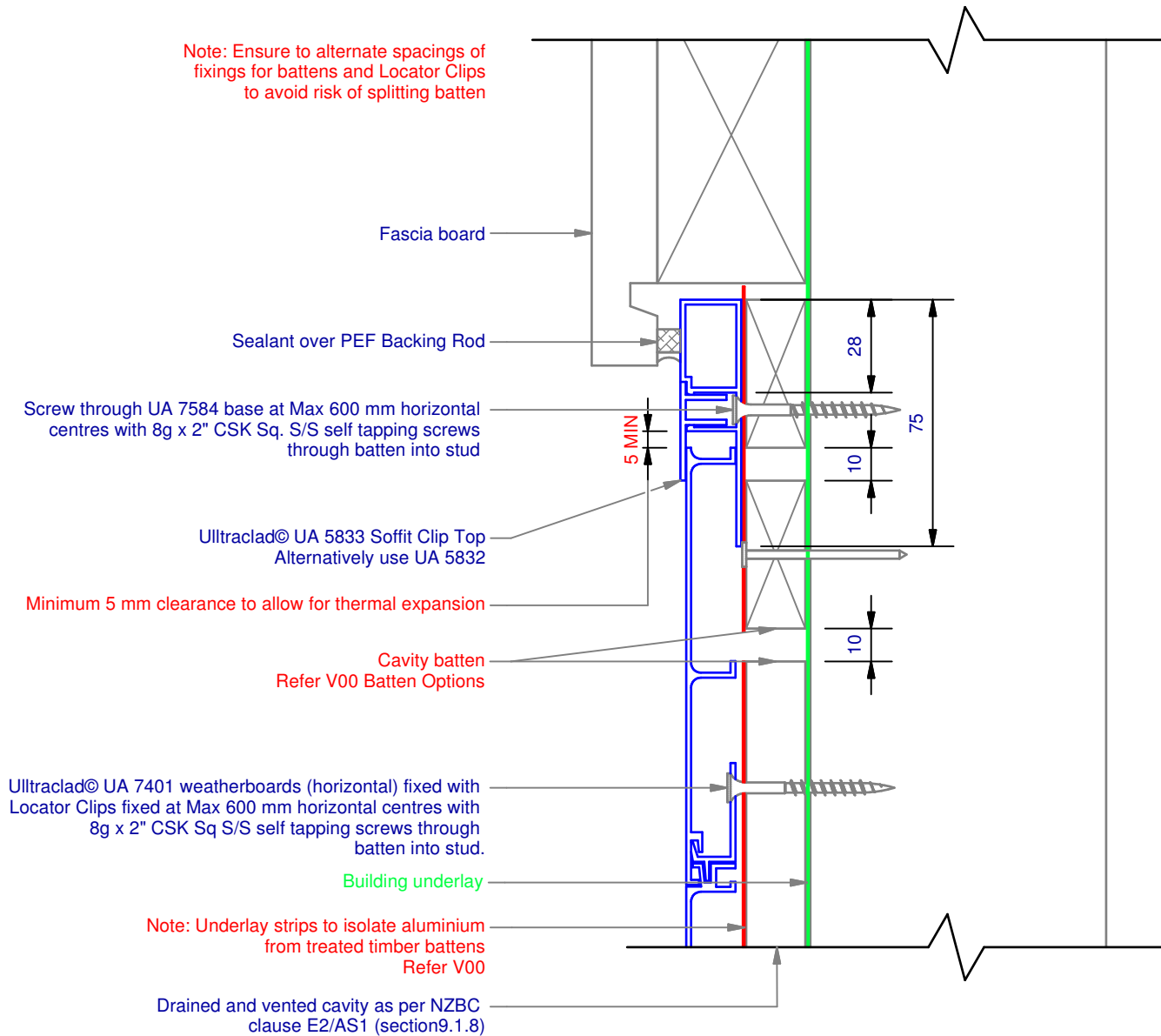
**HORIZONTAL CAVITY SYSTEM**

Scale: 1 : 2 @ A4 - 2017



Brnz Appraisal #487 2012. (Horizontal)

Note: Ensure to alternate spacings of fixings for battens and Locator Clips to avoid risk of splitting batten



**ULLTRACLAD**<sup>®</sup>  
ALUMINIUM WEATHERBOARDS

ULLTRACLAD ALUMINIUM CO LTD  
PO Box 98 843 Manukau City Auckland 2241  
118 Wiri Station Road Wiri 2104 New Zealand  
TL 09 262 6262 Ext. 814 Mob 021 541 563

www.ulltraclad.co.nz

© ULLRICH ALUMINIUM - All Rights Reserved

**H06**

Rev : 08

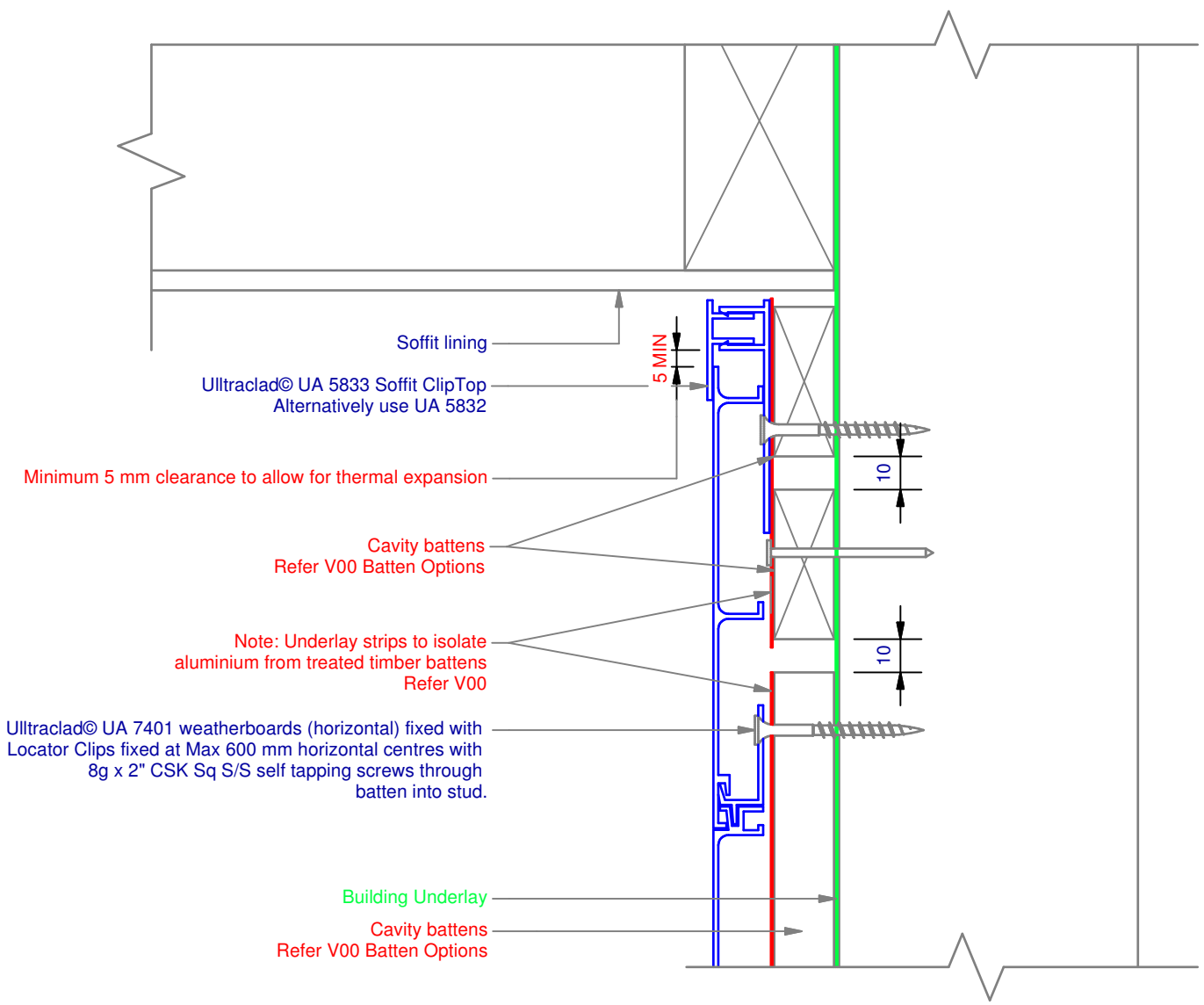
**No Soffit Detail on Cavity**

**UA 7401 INFINITY BOARD**

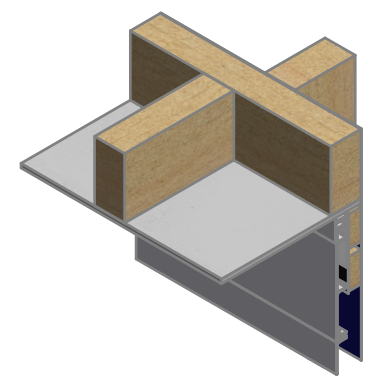
**HORIZONTAL CAVITY SYSTEM**

Scale: 1 : 2 @ A4 - 2017

Brnz Appraisal #487 2012. (Horizontal)



Note: Ensure to alternate spacings of fixings for battens and Locator Clips to avoid risk of splitting batten



**ULLTRA CLAD**<sup>®</sup>  
ALUMINIUM WEATHERBOARDS

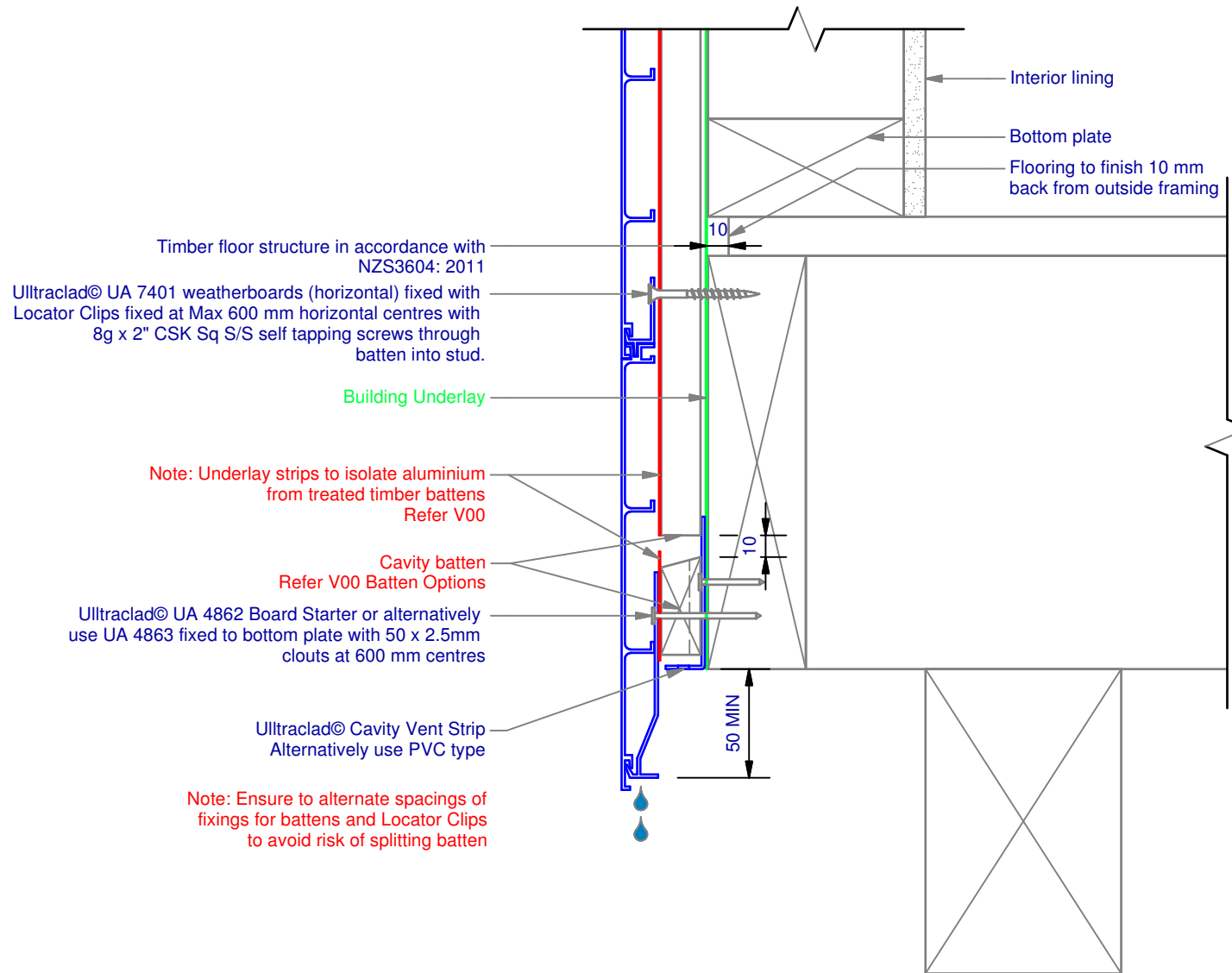
ULLTRA CLAD ALUMINIUM CO LTD  
PO Box 98 843 Manukau City Auckland 2241  
118 Wiri Station Road Wiri 2104 New Zealand  
TL 09 262 6262 Ext. 814 Mob 021 541 563  
www.ulltraclad.co.nz  
© ULLRICH ALUMINIUM - All Rights Reserved

**H07**  
Rev : 08

**Soffit Detail on Cavity**  
**UA 7401 INFINITY BOARD**  
**HORIZONTAL CAVITY SYSTEM**  
Scale: 1 : 2 @ A4 - 2017

Brnz Appraisal #487 2012. (Horizontal)





Timber floor structure in accordance with NZS3604: 2011

Ulltraclad® UA 7401 weatherboards (horizontal) fixed with Locator Clips fixed at Max 600 mm horizontal centres with 8g x 2" CSK Sq S/S self tapping screws through batten into stud.

Building Underlay

Note: Underlay strips to isolate aluminium from treated timber battens Refer V00

Cavity batten Refer V00 Batten Options

Ulltraclad® UA 4862 Board Starter or alternatively use UA 4863 fixed to bottom plate with 50 x 2.5mm clouts at 600 mm centres

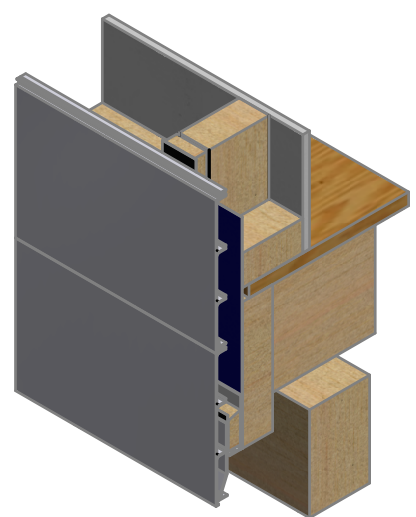
Ulltraclad® Cavity Vent Strip Alternatively use PVC type

Note: Ensure to alternate spacings of fixings for battens and Locator Clips to avoid risk of splitting batten

Interior lining

Bottom plate

Flooring to finish 10 mm back from outside framing



**ULLTRACLAD**®  
ALUMINIUM WEATHERBOARDS

ULLTRACLAD ALUMINIUM CO LTD  
PO Box 98 843 Manukau City Auckland 2241  
118 Wiri Station Road Wiri 2104 New Zealand  
TL 09 262 6262 Ext. 814 Mob 021 541 563  
www.ulltraclad.co.nz  
© ULLRICH ALUMINIUM - All Rights Reserved

**H08**  
Rev : 08

**Timber Floor on Cavity**  
**UA 7401 INFINITY BOARD**  
**HORIZONTAL CAVITY SYSTEM**  
Scale: 1 : 3 @ A4 - 2017

Brnz Appraisal #487 2012. (Horizontal)

Ultraclad® UA 7401 weatherboards (horizontal) fixed with Locator Clips fixed at Max 600 mm horizontal centres with 8g x 2" CSK Sq S/S self tapping screws through batten into stud.

Building underlay continuous behind head flashing and into opening

Note: Underlay strips to isolate aluminium from treated timber battens Refer V00

Cavity batten Refer V00 Batten Options

Fixed to lintel at 600 mm centres with 50 x 2.5 mm stainless steel cloustr.

Ultraclad® Cavity Vent Strip Alternatively use PVC

Ultraclad® UA 4533 Head Starter 5 mm diameter drainage holes drilled through base of Head Starter at 300 mm centres

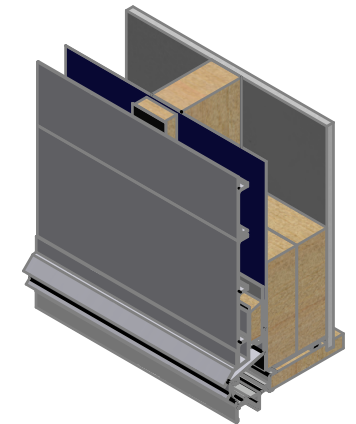
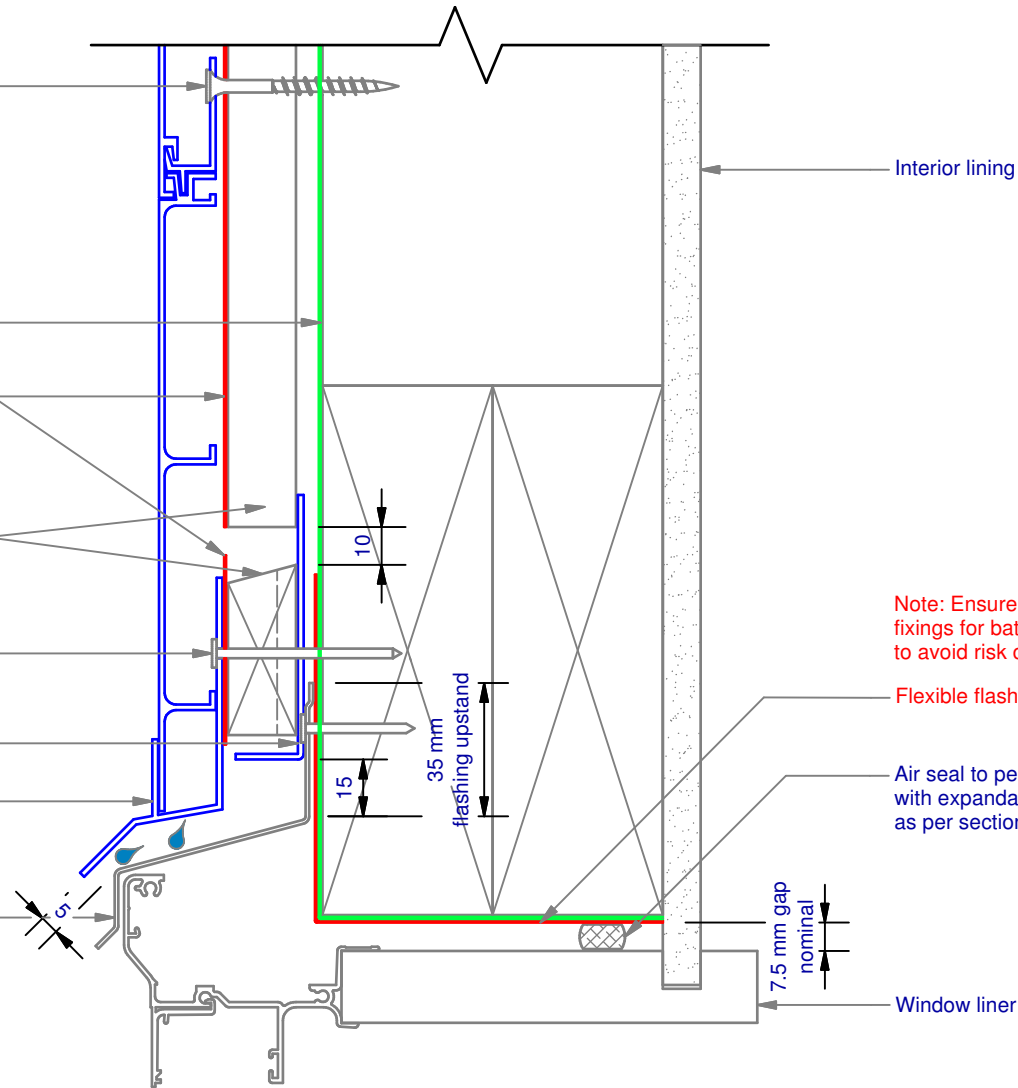
Window head flashing (15° slope) folded stop end. (Note: not supplied with Ultraclad® system - contractor to supply as additional flashing)

Interior lining

Note: Ensure to alternate spacings of fixings for battens and Locator Clips to avoid risk of splitting batten

Flexible flashing tape at corners  
Air seal to perimeter of trim cavity with expandable foam or sealant as per section 9.1.6 of E2/AS1

Window liner



**ULLTRACLAD**®  
ALUMINIUM WEATHERBOARDS

ULLTRACLAD ALUMINIUM CO LTD  
PO Box 98 843 Manukau City Auckland 2241  
118 Wiri Station Road Wiri 2104 New Zealand  
TL 09 262 6262 Ext. 814 Mob 021 541 563

www.ulltraclad.co.nz  
© ULLRICH ALUMINIUM - All Rights Reserved

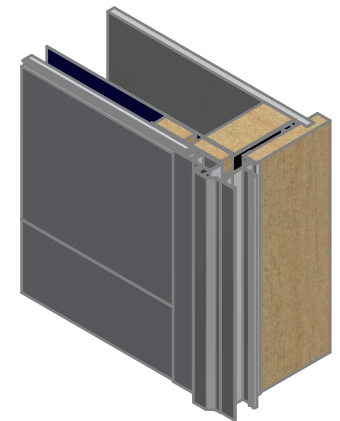
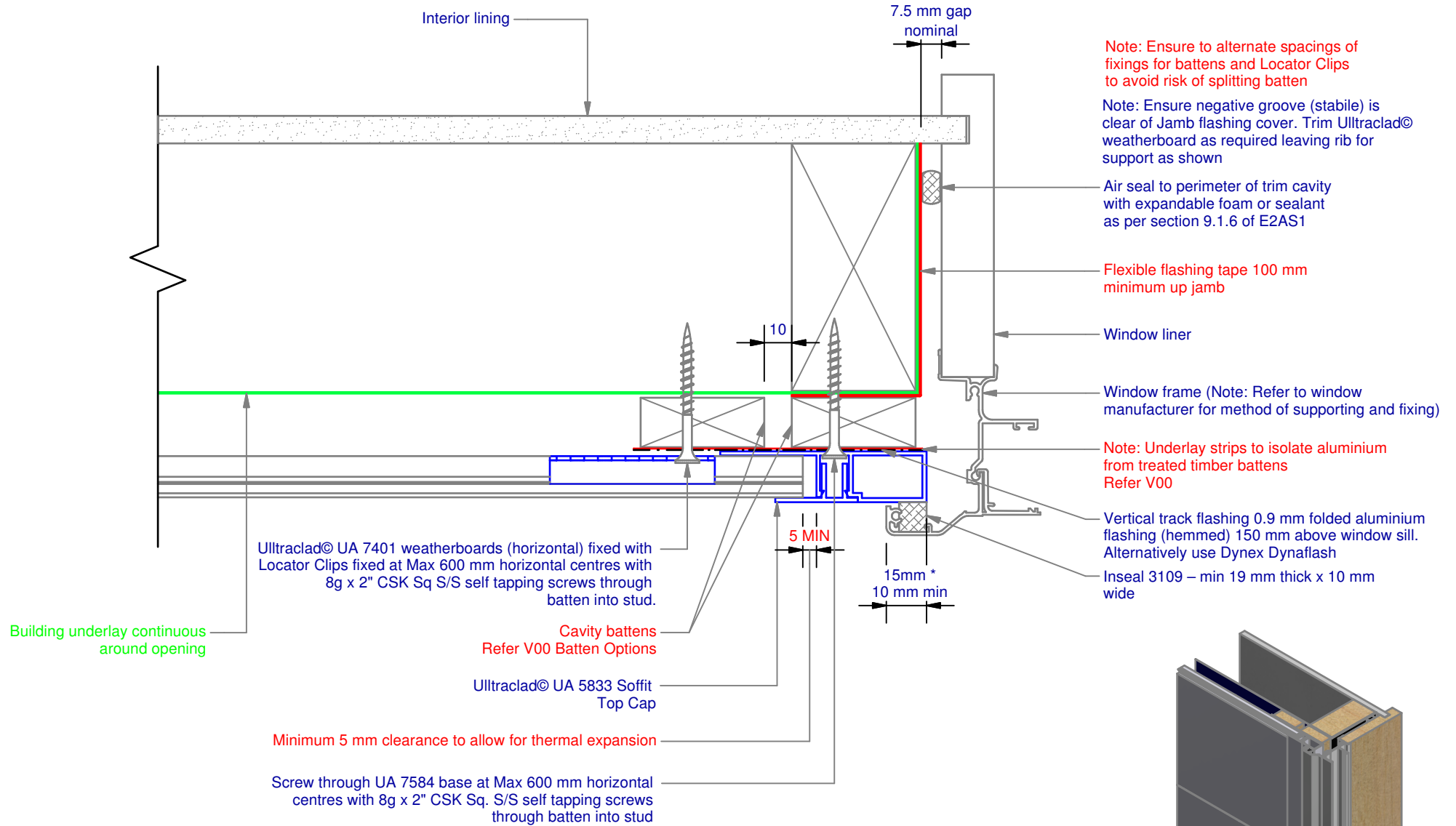
**H09**

Rev : 08

**Window Head on Cavity**  
**UA 7401 INFINITY BOARD**

**HORIZONTAL CAVITY SYSTEM**  
Scale: 1 : 2 @ A4 - 2017

Brnz Appraisal #487 2012. (Horizontal)



Window frame (Note: Refer to window manufacturer for method of supporting and fixing)

Window support bar or window openings wider than 600 mm. Support part to comply with E2/AS1 9.1.10.5(v)

Ultracalad® UA 5833 Soffit Top Cap clipped into UA 7584 mitred in corners to join with Jamb Alternatively use UA 5832

Minimum 5 mm clearance to allow for thermal expansion

Note: Ensure to alternate spacings of fixings for battens and Locator Clips to avoid risk of splitting batten

Note: Underlay strips to isolate aluminium from treated timber battens Refer V00

Ultracalad® UA 7401 weatherboards (horizontal) fixed with Locator Clips fixed at Max 600 mm horizontal centres with 8g x 2" CSK Sq S/S self tapping screws through batten into stud.

Building underlay continuous around opening

Vertical track flashing 0.9 mm folded aluminium flashing (hemmed) 150 mm above window sill. Alternatively use Dynex Dynafash

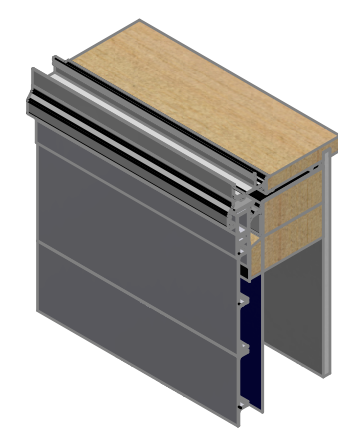
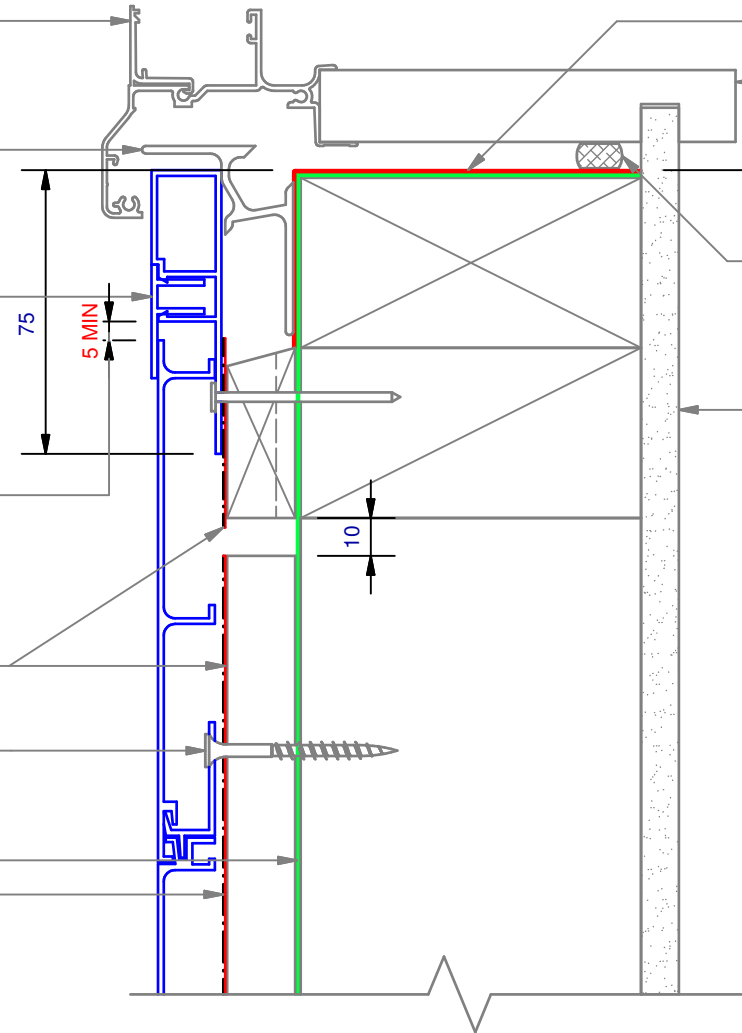
Flexible flashing tape along entire sill. 100 mm up each Jamb and 50 mm onto surface of building underlay

Window liner

7.5 mm gap nominal

Air seal to perimeter of trim cavity with expandable foam or sealant as per section 9.1.6 of E2/AS1

Interior lining



**ULLTRACLAD**<sup>®</sup>  
ALUMINIUM WEATHERBOARDS

ULLTRACLAD ALUMINIUM CO LTD  
PO Box 98 843 Manukau City Auckland 2241  
118 Wiri Station Road Wiri 2104 New Zealand  
TL 09 262 6262 Ext. 814 Mob 021 541 563

www.ulltracalad.co.nz

© ULLRICH ALUMINIUM - All Rights Reserved

**H11**

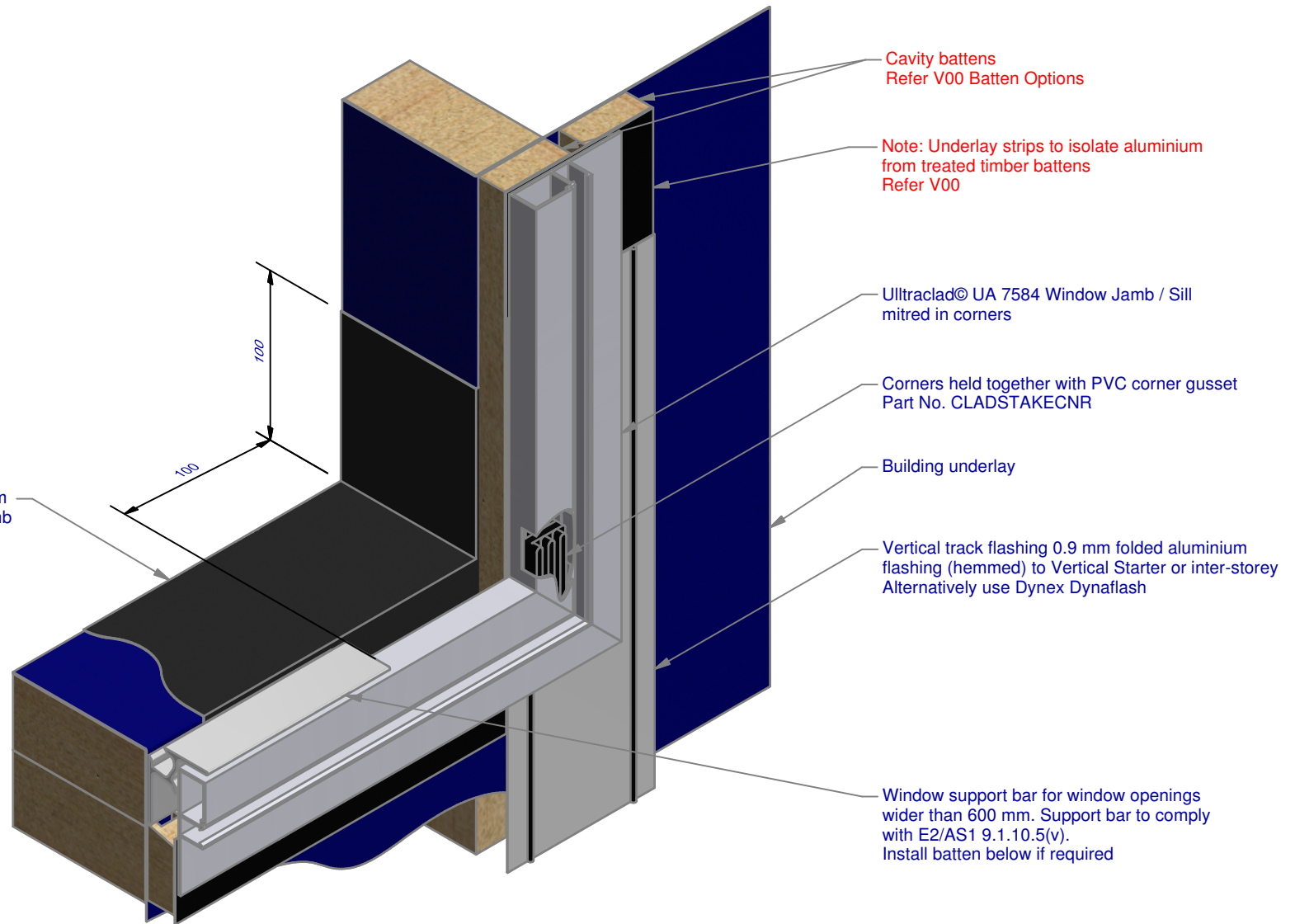
Rev : 08

**Window Sill on Cavity**  
**UA 7401 INFINITY BOARD**

**HORIZONTAL CAVITY SYSTEM**

Scale: 1 : 2 @ A4 - 2017

Branz Appraisal #487 2012. (Horizontal)



Cavity battens  
Refer V00 Batten Options

Note: Underlay strips to isolate aluminium  
from treated timber battens  
Refer V00

Ultraclad® UA 7584 Window Jamb / Sill  
mitred in corners

Corners held together with PVC corner gusset  
Part No. CLADSTAKECNR

Building underlay

Vertical track flashing 0.9 mm folded aluminium  
flashing (hemmed) to Vertical Starter or inter-storey  
Alternatively use Dynex Dynafash

Window support bar for window openings  
wider than 600 mm. Support bar to comply  
with E2/AS1 9.1.10.5(v).  
Install batten below if required

Flexible flashing tape along sill to continue 50 mm  
onto face of wall and 100 minimum up each Jamb

**ULLTRACLAD**®  
ALUMINIUM WEATHERBOARDS

ULLTRACLAD ALUMINIUM CO LTD  
PO Box 98 843 Manukau City Auckland 2241  
118 Wiri Station Road Wiri 2104 New Zealand  
TL 09 262 6262 Ext. 814 Mob 021 541 563

www.ulltraclad.co.nz

© ULLRICH ALUMINIUM - All Rights Reserved

**H12**

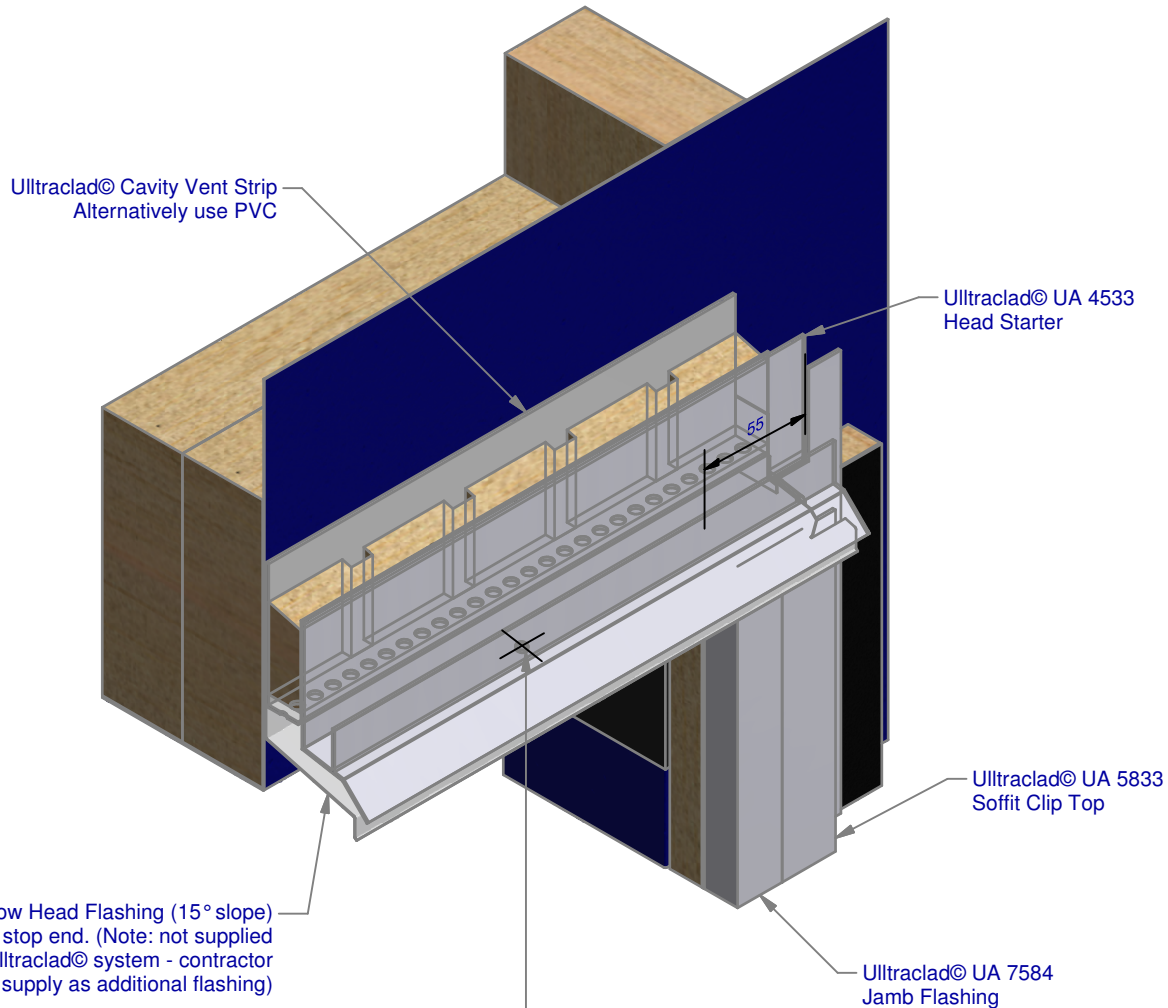
Rev : 08

**Sill-Jamb on Cavity**  
**UA 7401 INFINITY BOARD**

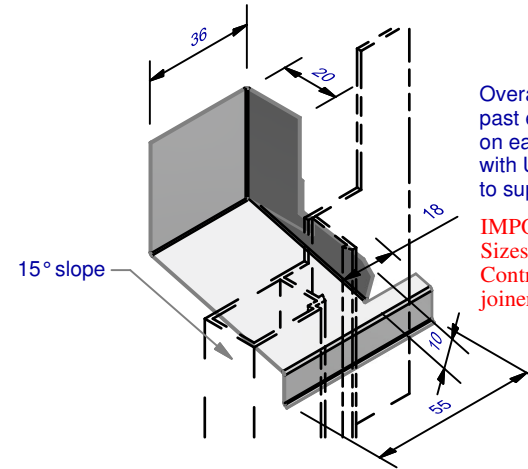
**HORIZONTAL CAVITY SYSTEM**

Scale: 1 : 3 @ A4 - 2017

Brnz Appraisal #487 2012. (Horizontal)



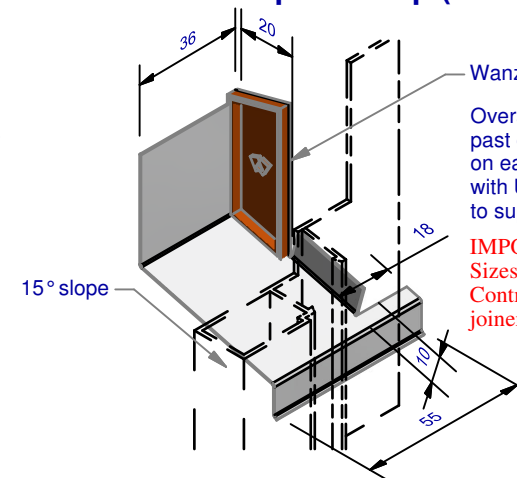
### Window Head Flashing Option 1 Cut & Fold Stop End ( 1 : 2 )



Overall Head Flashing length = +40 mm  
past edge of window and door joinery  
on each side. (Note: not supplied  
with Ulltraclad® system - contractor  
to supply as additional flashing)

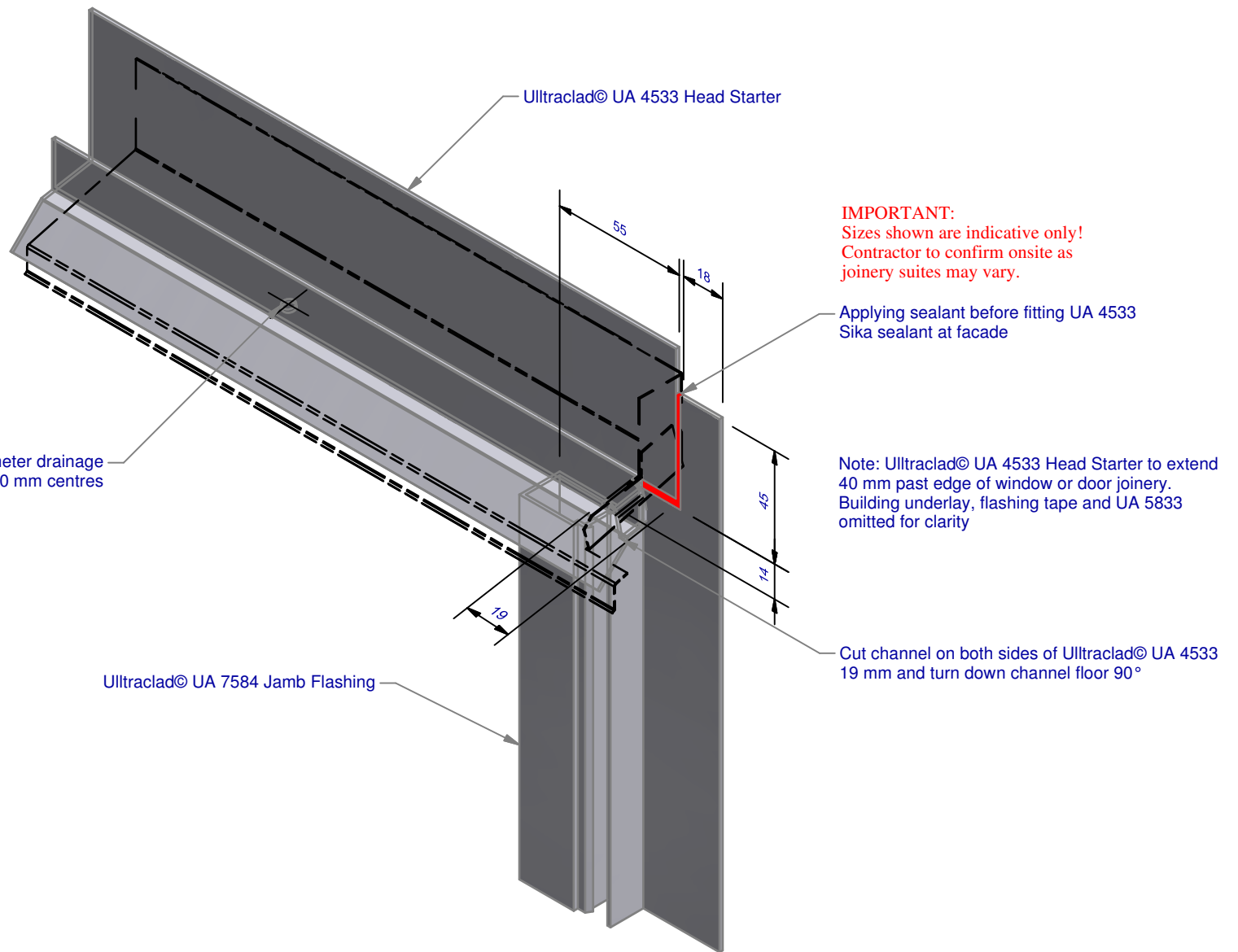
**IMPORTANT:**  
Sizes shown are indicative only!  
Contractor to confirm onsite as  
joinery suites may vary.

### Window Head Flashing Option 2 Wanz Plastic Stop End Cap ( 1 : 2 )



Overall Head Flashing length = +40 mm  
past edge of window and door joinery  
on each side. (Note: not supplied  
with Ulltraclad® system - contractor  
to supply as additional flashing)

**IMPORTANT:**  
Sizes shown are indicative only!  
Contractor to confirm onsite as  
joinery suites may vary.



Ulltraclad® UA 4533 Head Starter 5 mm diameter drainage holes drilled through base of Head Starter at 300 mm centres

**IMPORTANT:**  
 Sizes shown are indicative only!  
 Contractor to confirm onsite as  
 joinery suites may vary.

Applying sealant before fitting UA 4533  
 Sika sealant at facade

Note: Ulltraclad® UA 4533 Head Starter to extend  
 40 mm past edge of window or door joinery.  
 Building underlay, flashing tape and UA 5833  
 omitted for clarity

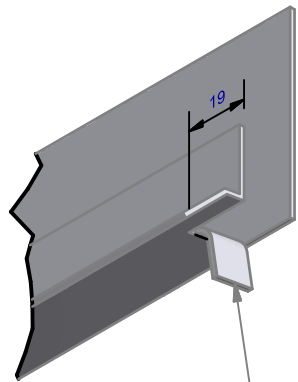
Cut channel on both sides of Ulltraclad® UA 4533  
 19 mm and turn down channel floor 90°

Ulltraclad® UA 7584 Jamb Flashing

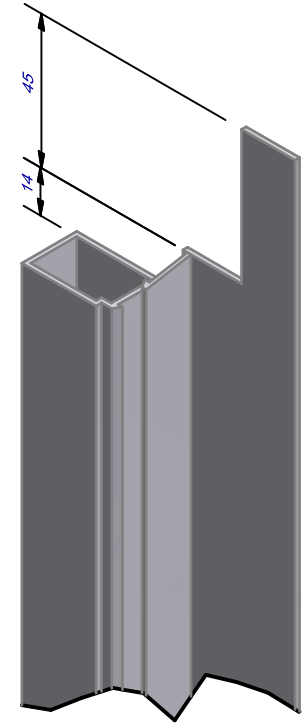
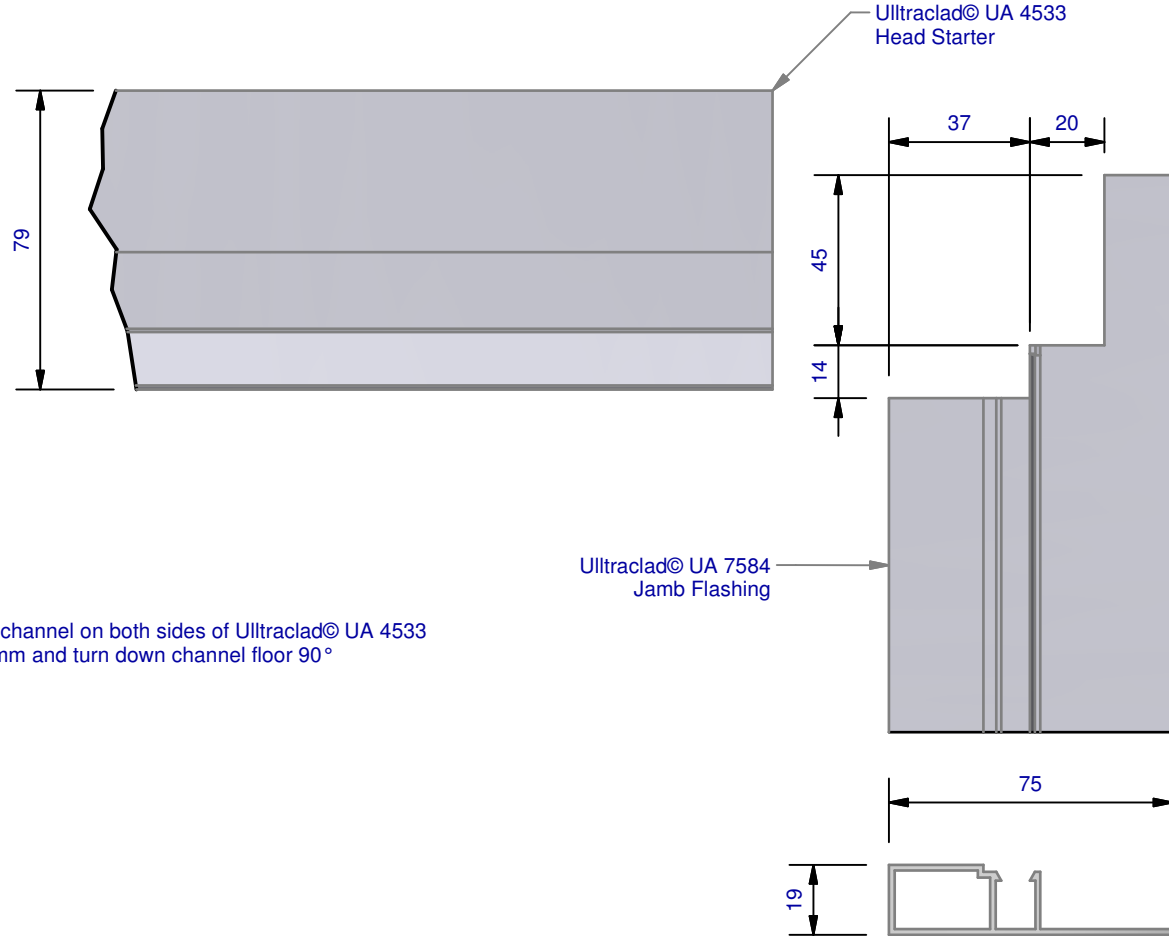
Ultraclad® UA 4533 Head Starter 5 mm diameter drainage holes drilled through base of Head Starter at 300 mm centres



**IMPORTANT:**  
 Sizes shown are indicative only!  
 Contractor to confirm onsite as  
 joinery suites may vary.



Cut channel on both sides of Ultraclad® UA 4533 19 mm and turn down channel floor 90°



**ULLTRACLAD**®  
 ALUMINIUM WEATHERBOARDS

ULLTRACLAD ALUMINIUM CO LTD  
 PO Box 98 843 Manukau City Auckland 2241  
 118 Wiri Station Road Wiri 2104 New Zealand  
 TL 09 262 6262 Ext. 814 Mob 021 541 563  
 www.ulltraclad.co.nz  
 © ULLRICH ALUMINIUM - All Rights Reserved

**H15**

Rev : 08

**Head - Jamb Notching Details**

UA 7401 INFINITY BOARD

**HORIZONTAL CAVITY SYSTEM**

Scale: 1 : 2 @ A4 - 2017

Brnz Appraisal #487 2012. (Horizontal)



Cavity batten  
Refer V00 Batten Options

Ultraclad® UA 7401 weatherboards (horizontal) fixed with Locator Clips fixed at Max 600 mm horizontal centres with 8g x 2" CSK Sq S/S self tapping screws through batten into stud.

Note: Underlay strips to isolate aluminium from treated timber battens  
Refer V00

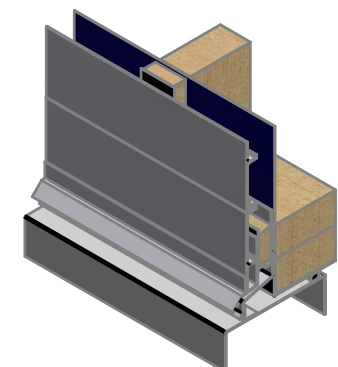
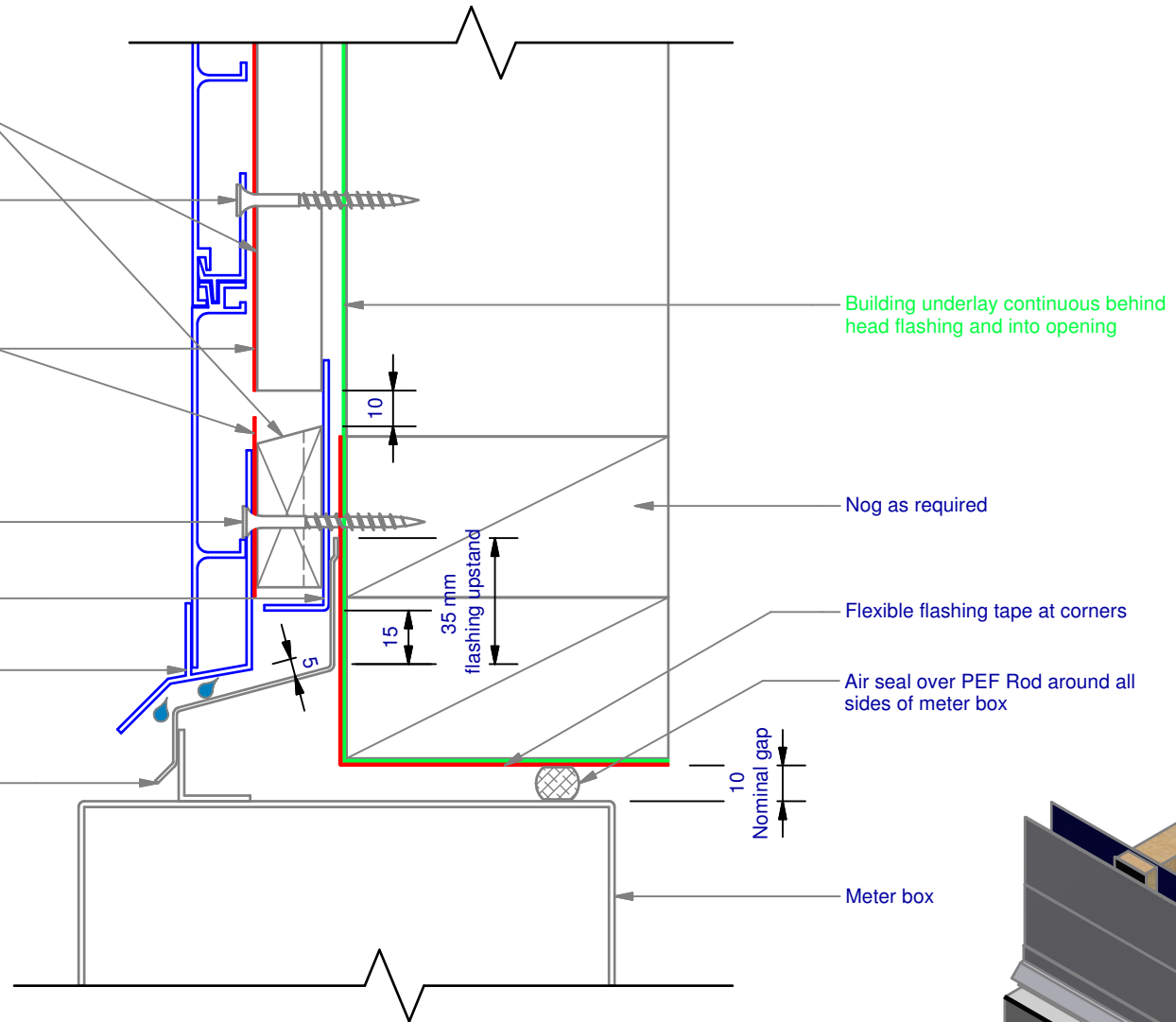
Ultraclad® UA 4863 Vertical Starter Strip fixed to bottom plate at 600 mm centres with 8g x 2" CSK Sq. S/S self tapping screws

Ultraclad® Cavity Vent Strip  
Alternatively use PVC type

Ultraclad® UA 4533 Head Starter 5 mm diameter drainage holes drilled through base of flashing at 300 mm centres

Aluminium flashing 15° slope  
(Note: not supplied with Ultraclad® system - contractor to supply as additional flashing)

Note: Ensure to alternate spacings of fixings for battens and Locator Clips to avoid risk of splitting batten



**ULLTRACLAD**®  
ALUMINIUM WEATHERBOARDS

ULLTRACLAD ALUMINIUM CO LTD  
PO Box 98 843 Manukau City Auckland 2241  
118 Wiri Station Road Wiri 2104 New Zealand  
TL 09 262 6262 Ext. 814 Mob 021 541 563

www.ulltraclad.co.nz

© ULLRICH ALUMINIUM - All Rights Reserved

**H16**

Rev : 08

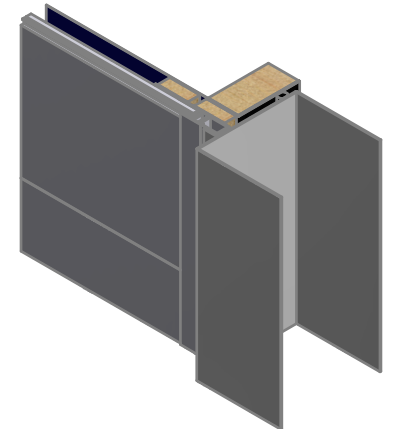
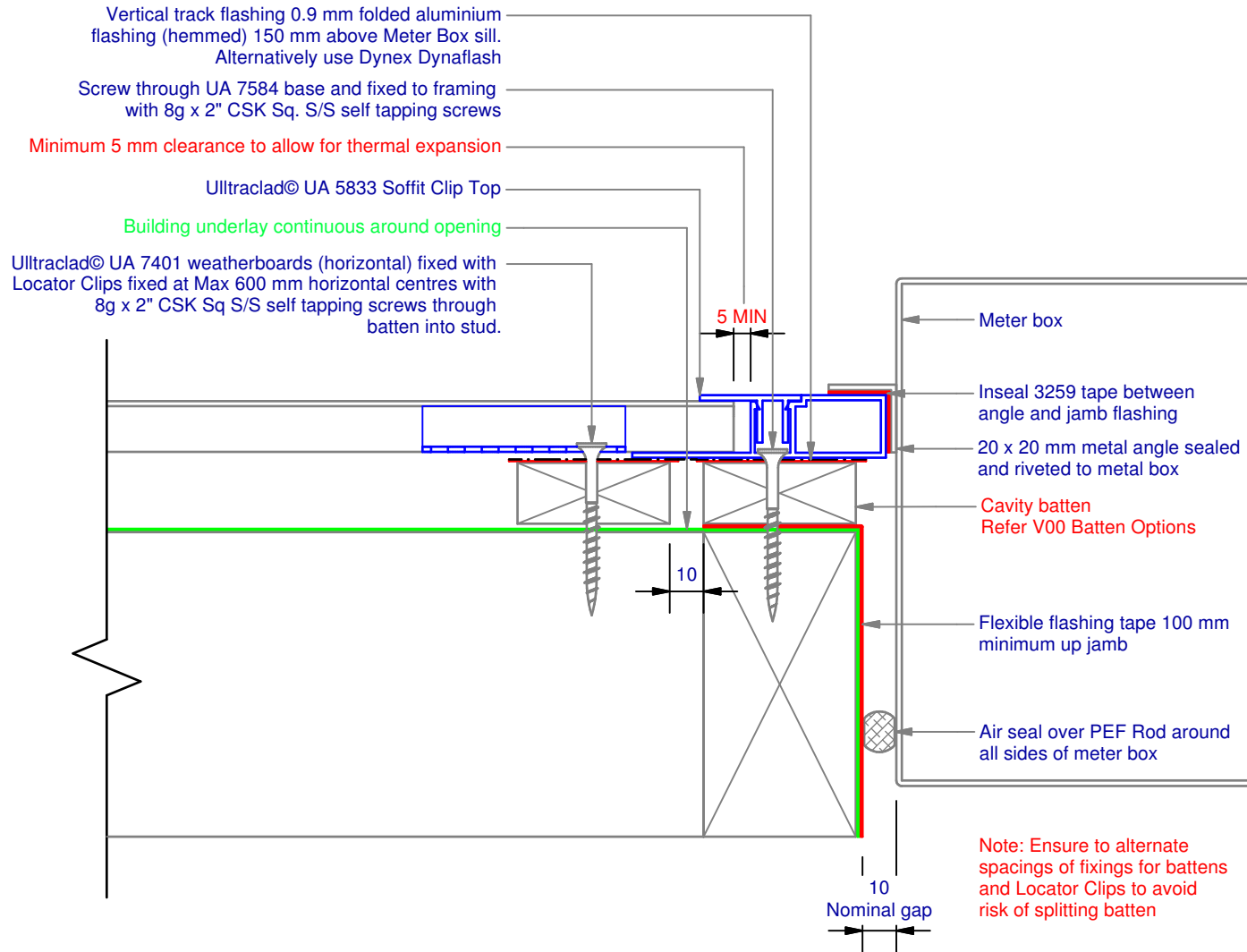
## Meter Box Head on Cavity

UA 7401 INFINITY BOARD

HORIZONTAL CAVITY SYSTEM

Scale: 1 : 2 @ A4 - 2017

Brnz Appraisal #487 2012. (Horizontal)



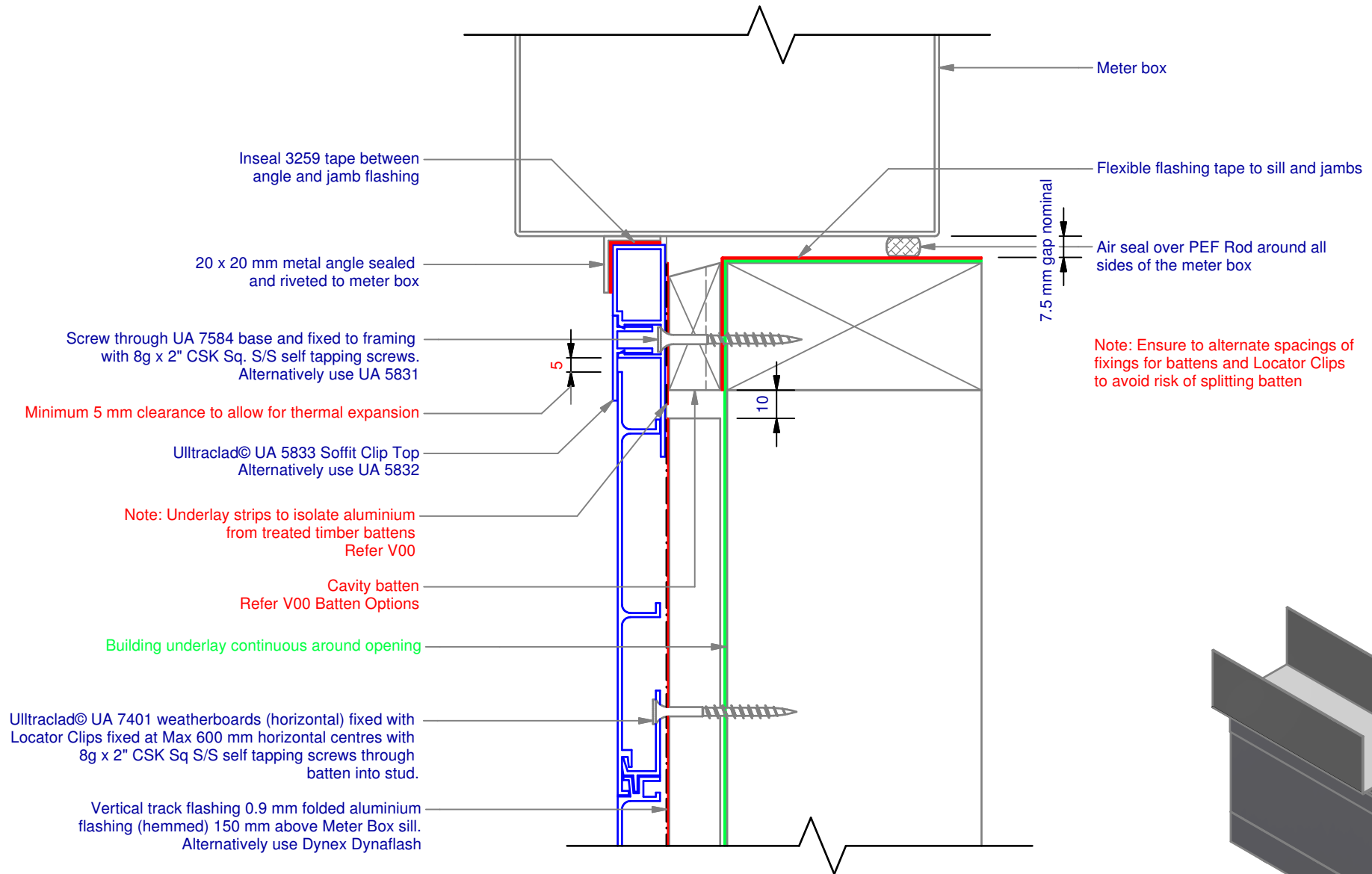
**ULLTRA CLAD**®  
ALUMINIUM WEATHERBOARDS

ULLTRA CLAD ALUMINIUM CO LTD  
PO Box 98 843 Manukau City Auckland 2241  
118 Wiri Station Road Wiri 2104 New Zealand  
TL 09 262 6262 Ext. 814 Mob 021 541 563  
www.ulltraclad.co.nz  
© ULLRICH ALUMINIUM - All Rights Reserved

**H17**  
Rev : 08

**Meter Box Jamb on Cavity**  
**UA 7401 INFINITY BOARD**  
**HORIZONTAL CAVITY SYSTEM**  
Scale: 1 : 2 @ A4 - 2017

Brnz Appraisal #487 2012. (Horizontal)



Inseal 3259 tape between angle and jamb flashing

20 x 20 mm metal angle sealed and riveted to meter box

Screw through UA 7584 base and fixed to framing with 8g x 2" CSK Sq. S/S self tapping screws. Alternatively use UA 5831

Minimum 5 mm clearance to allow for thermal expansion

Ulltraclad® UA 5833 Soffit Clip Top  
Alternatively use UA 5832

Note: Underlay strips to isolate aluminium from treated timber battens  
Refer V00

Cavity batten  
Refer V00 Batten Options

Building underlay continuous around opening

Ulltraclad® UA 7401 weatherboards (horizontal) fixed with Locator Clips fixed at Max 600 mm horizontal centres with 8g x 2" CSK Sq S/S self tapping screws through batten into stud.

Vertical track flashing 0.9 mm folded aluminium flashing (hemmed) 150 mm above Meter Box sill.  
Alternatively use Dynex Dynaflash

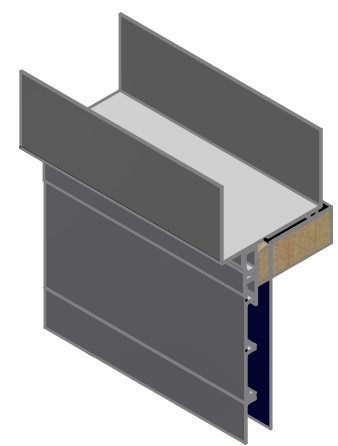
Meter box

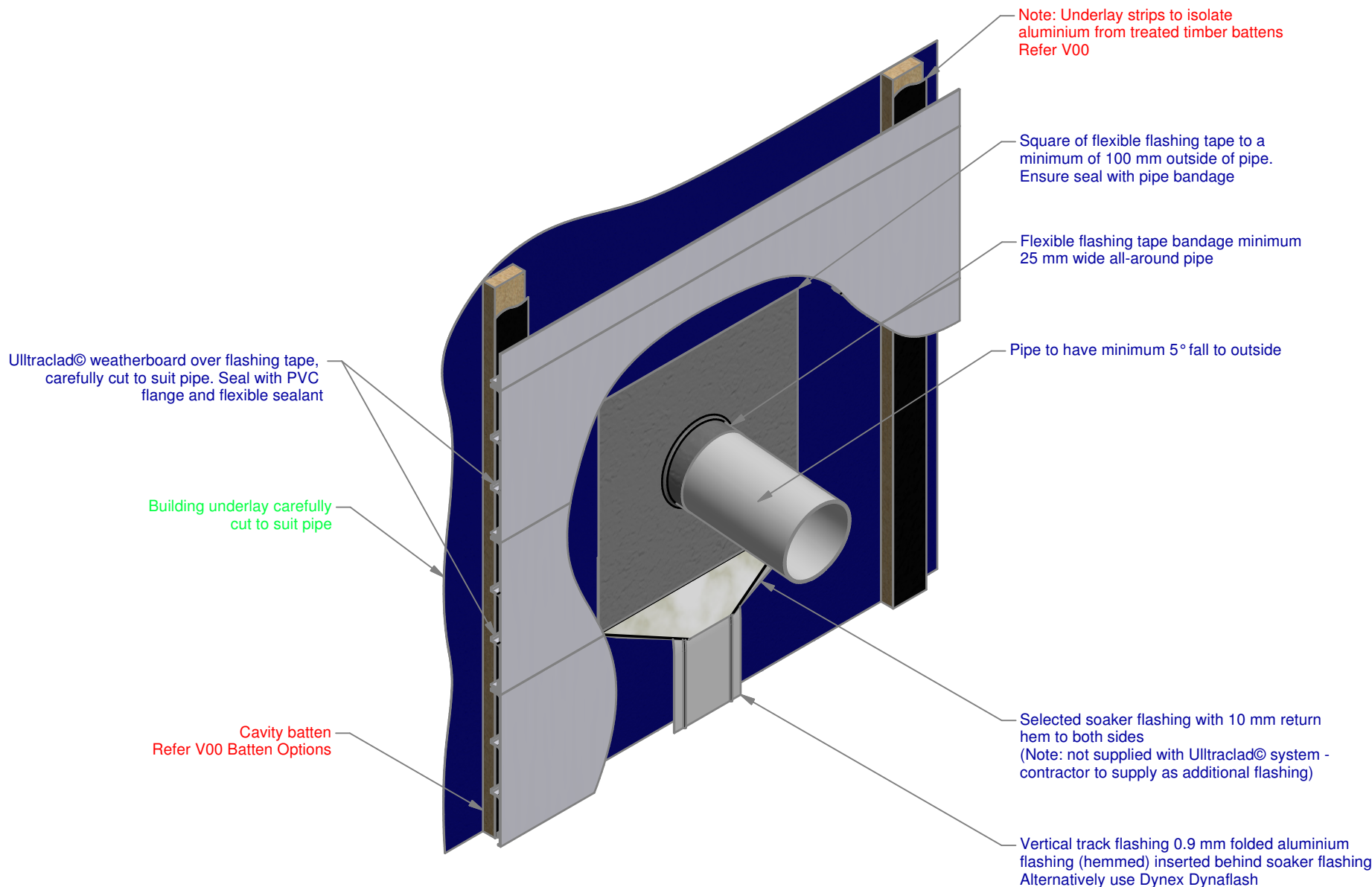
Flexible flashing tape to sill and jambs

7.5 mm gap nominal

Air seal over PEF Rod around all sides of the meter box

Note: Ensure to alternate spacings of fixings for battens and Locator Clips to avoid risk of splitting batten





Ultraclad® UA 7104 weatherboards (horizontal) fixed with Locator Clips fixed at Max 600 mm horizontal centres with 8g x 2" CSK Sq S/S self tapping screws through batten into stud.

Building underlay continuous around opening

Ultraclad® Cavity Vent Strip  
Alternatively use PVC type

Cavity batten  
Refer V00 Batten Options

Note: Underlay strips to isolate aluminium from treated timber battens.  
Refer V00

Ultraclad® UA 4863 Vertical Starter alternatively use UA 4862. 5 mm diameter drainage hole drilled through base of Vertical Starter at 300 mm centres

Apron flashing with 75 mm up stand cover behind cladding

35 mm min clear gap

10

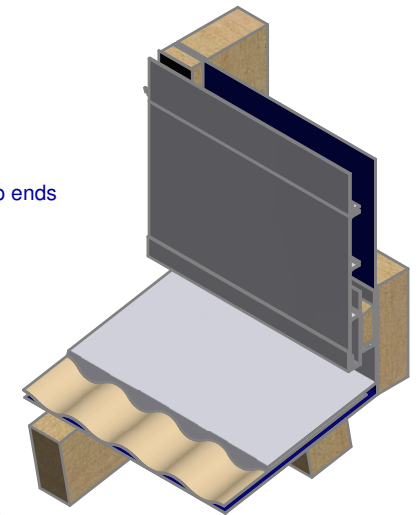
Note: Ensure to alternate spacings of fixings for battens and Locator Clips to avoid risk of splitting batten

75 mm min flashing leg above bottom of weatherboard

Nog as required

Roofing underlay turned up under flashing

Selected roofing with stop ends



**ULLTRACLAD**®  
ALUMINIUM WEATHERBOARDS

ULLTRACLAD ALUMINIUM CO LTD  
PO Box 98 843 Manukau City Auckland 2241  
118 Wiri Station Road Wiri 2104 New Zealand  
TL 09 262 6262 Ext. 814 Mob 021 541 563

www.ulltraclad.co.nz

© ULLRICH ALUMINIUM - All Rights Reserved

**H20**

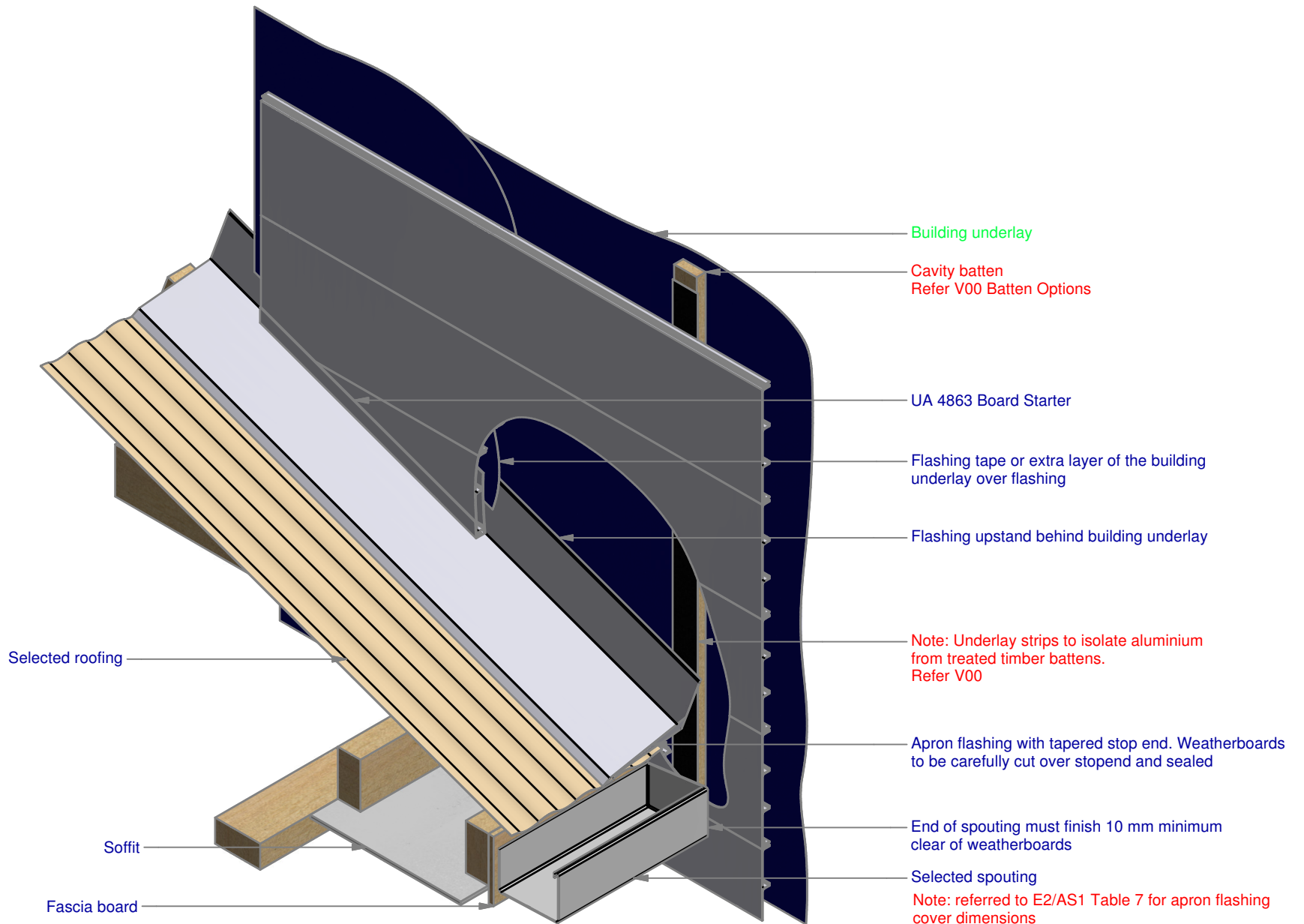
Rev : 08

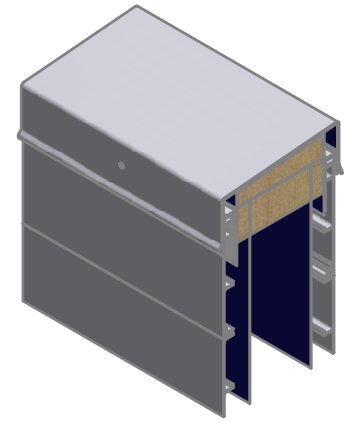
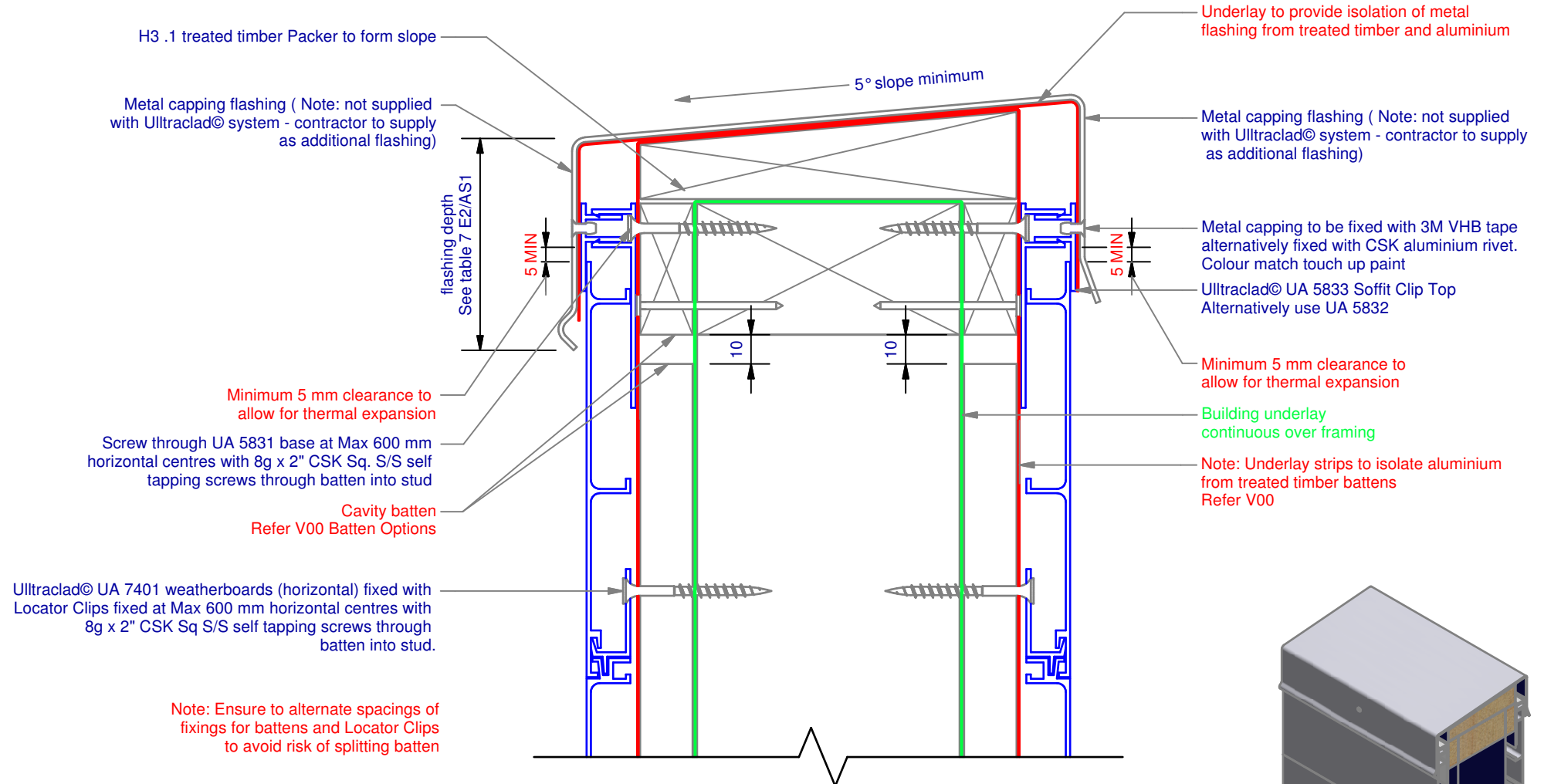
**Roof-Wall Junction on Cavity**  
**UA 7401 INFINITY BOARD**

**HORIZONTAL CAVITY SYSTEM**

Scale: 1 : 3 @ A4 - 2017

Brnz Appraisal #487 2012. (Horizontal)





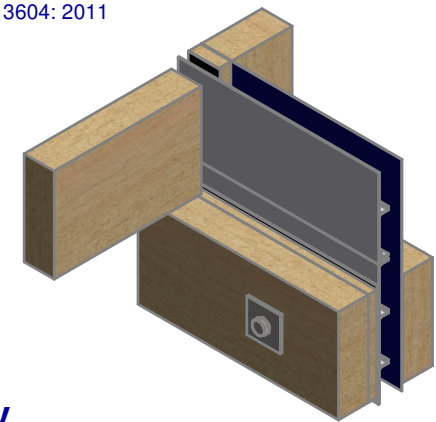
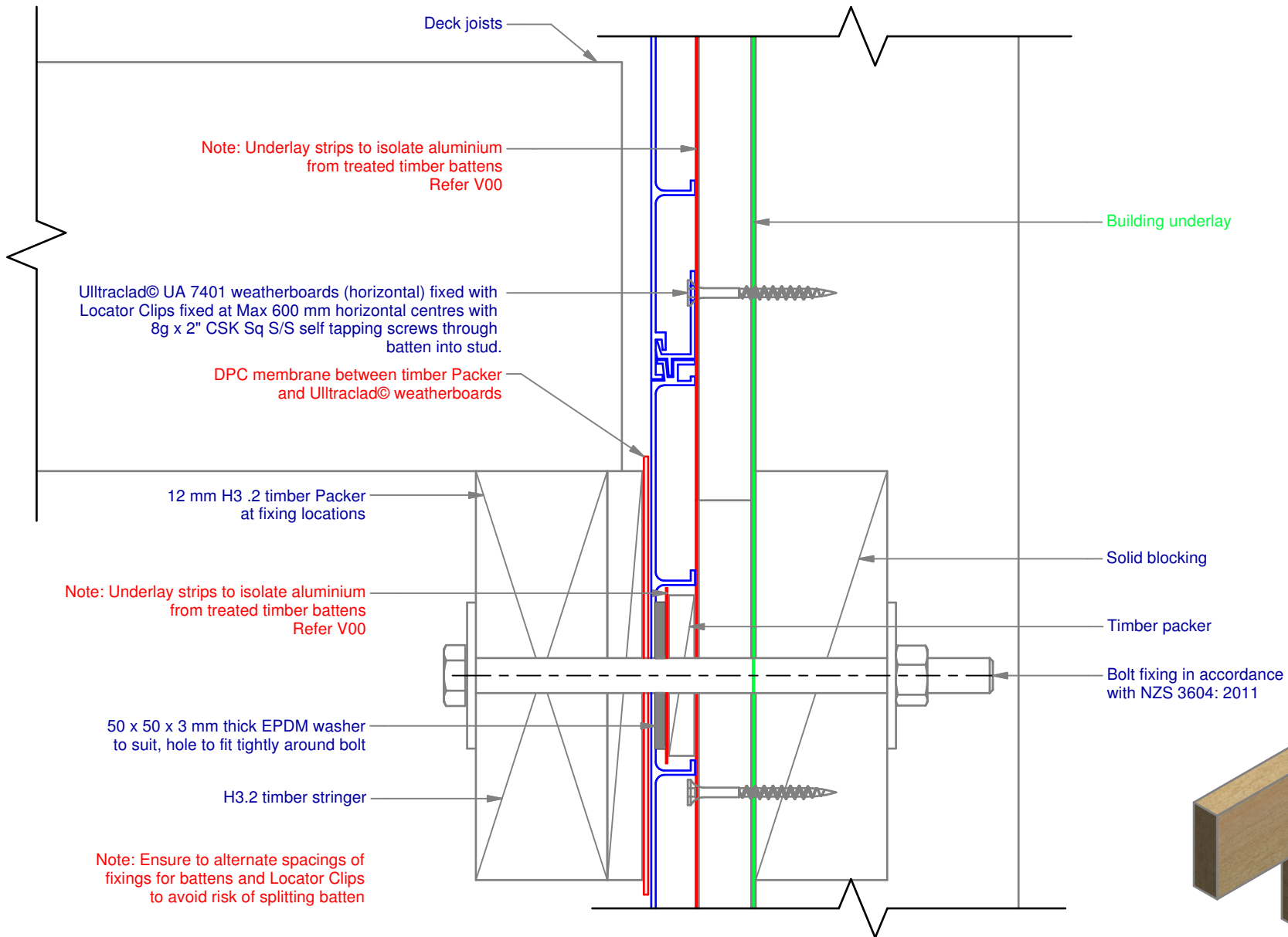
**ULLTRACLAD**<sup>®</sup>  
ALUMINIUM WEATHERBOARDS

ULLTRACLAD ALUMINIUM CO LTD  
PO Box 98 843 Manukau City Auckland 2241  
118 Wiri Station Road Wiri 2104 New Zealand  
TL 09 262 6262 Ext. 814 Mob 021 541 563  
www.ulltraclad.co.nz  
© ULLRICH ALUMINIUM - All Rights Reserved

**H22**  
Rev : 08

**Parapet on Cavity**  
**UA 7401 INFINITY BOARD**  
**HORIZONTAL CAVITY SYSTEM**  
Scale: 1 : 2 @ A4 - 2017

Brnz Appraisal #487 2012. (Horizontal)



**ULLTRACLAD**®  
ALUMINIUM WEATHERBOARDS

ULLTRACLAD ALUMINIUM CO LTD  
PO Box 98 843 Manukau City Auckland 2241  
118 Wiri Station Road Wiri 2104 New Zealand  
TL 09 262 6262 Ext. 814 Mob 021 541 563

www.ulltraclad.co.nz

© ULLRICH ALUMINIUM - All Rights Reserved

**H23**

Rev : 08

**Deck Junction on Cavity**  
**UA 7401 INFINITY BOARD**

**HORIZONTAL CAVITY SYSTEM**

Scale: 1 : 2 @ A4 - 2017

Brnz Appraisal #487 2012. (Horizontal)



Note: Ensure to alternate spacings of fixings for battens and Locator Clips to avoid risk of splitting batten

Ultraclad® UA 7401 weatherboards (horizontal) fixed with Locator Clips fixed at Max 600 mm horizontal centres with 8g x 2" CSK Sq S/S self tapping screws through batten into stud.

Building underlay

Note: Underlay strips to isolate aluminium from treated timber battens Refer V00

Ultraclad® UA 4862 Board Starter or alternatively use UA 4863 fixed to bottom plate with 50 x 2.5mm clouts at 600 mm centres

Aluminium inter-storey flashing 15° slope (Note: not supplied with Ultraclad® system - contractor to supply as additional flashing)

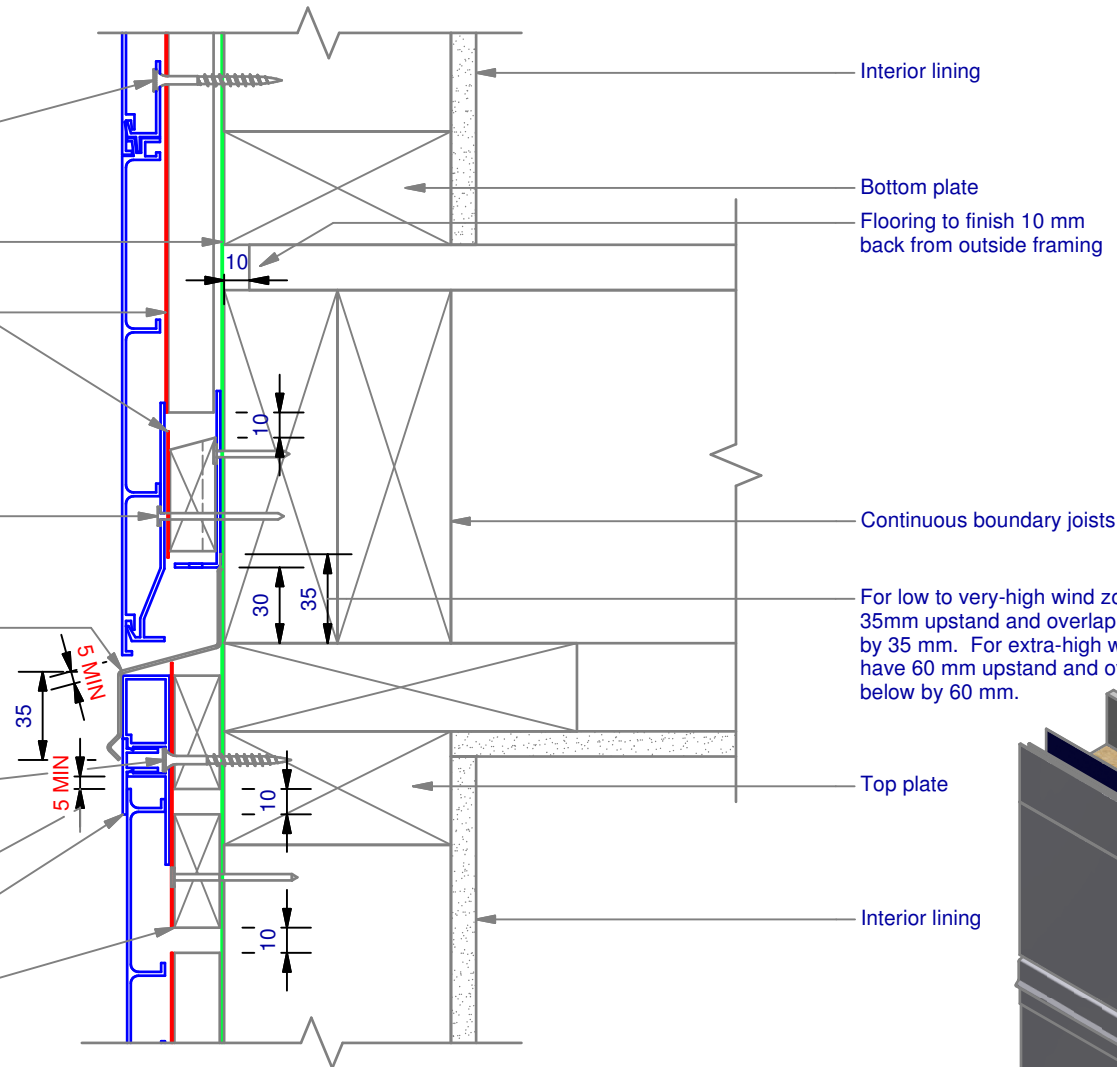
Screw through UA 7584 base at Max 600 mm horizontal centres with 8g x 2" CSK Sq. S/S self tapping screws through batten into stud

Minimum 5 mm clearance to allow for thermal expansion

Ultraclad® UA 5833 Soffit Clip Top Alternatively use UA 5832

Cavity batten Refer V00 Batten Options

Note: this detail is required to limit cavities to 2 storeys or 7 m Max - Refer E2/AS1 clause 9.1.9.4



Interior lining

Bottom plate

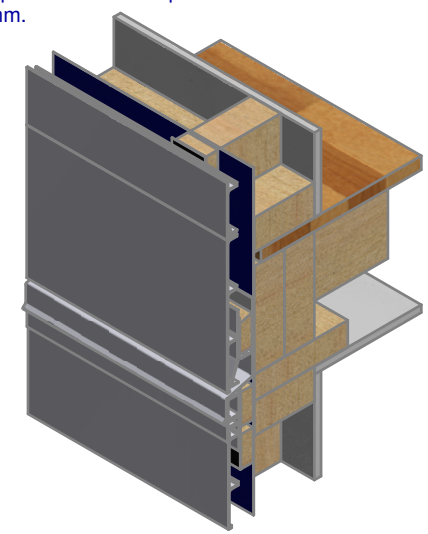
Flooring to finish 10 mm back from outside framing

Continuous boundary joists

For low to very-high wind zones the 'Z' flashing must have a 35mm upstand and overlap the weatherboard face below by 35 mm. For extra-high wind zones the 'Z' flashing must have 60 mm upstand and overlap the weatherboard face below by 60 mm.

Top plate

Interior lining



**ULLTRACLAD**®  
ALUMINIUM WEATHERBOARDS

ULLTRACLAD ALUMINIUM CO LTD  
PO Box 98 843 Manukau City Auckland 2241  
118 Wiri Station Road Wiri 2104 New Zealand  
TL 09 262 6262 Ext. 814 Mob 021 541 563

www.ulltracalad.co.nz

© ULLRICH ALUMINIUM - All Rights Reserved

**H24**

Rev : 08

## Inter-Storey Junction on Cavity

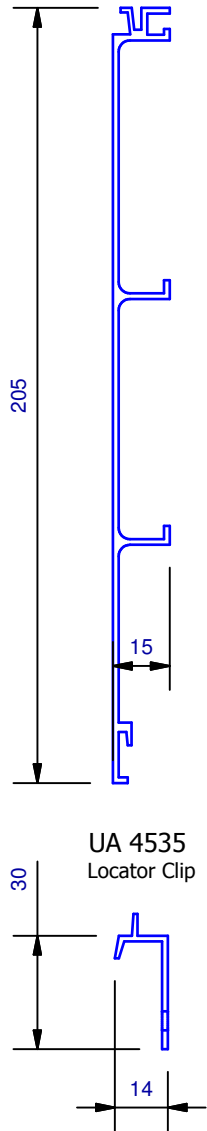
UA 7401 INFINITY BOARD

HORIZONTAL CAVITY SYSTEM

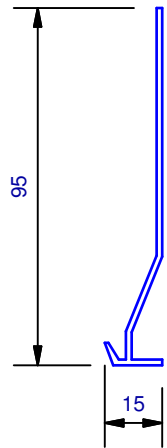
Scale: 1 : 3 @ A4 - 2017

Brnz Appraisal #487 2012. (Horizontal)

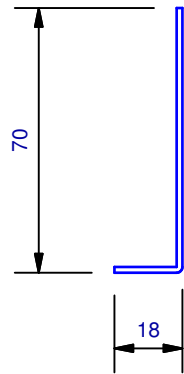
UA 7401  
Infinity Board



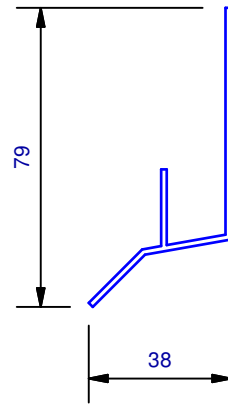
UA 4862  
Board Starter



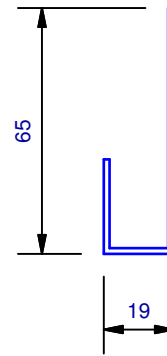
Cavity Vent Strip



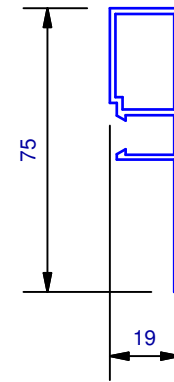
UA 4533  
Head Starter



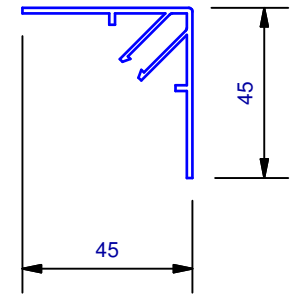
UA 4532  
J Moulding



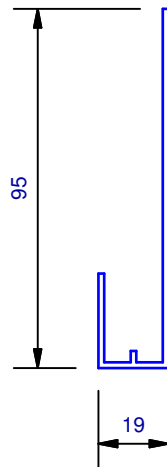
UA 7584  
Jamb/Sill Clip Base



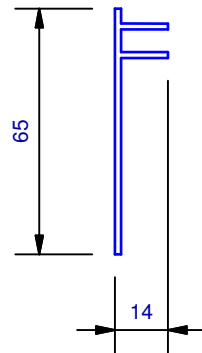
UA 7094  
Female Flat Corner



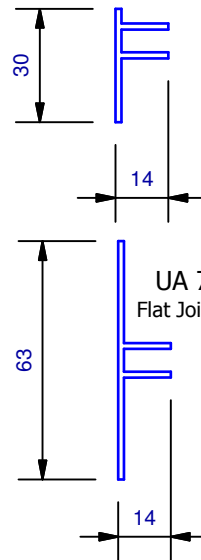
UA 4863  
Horizontal Board Starter



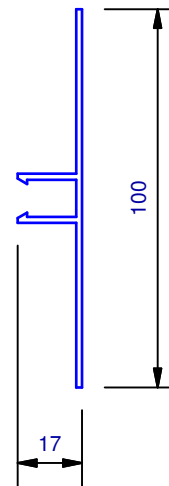
UA 5832  
Soffit 65mm Clip Top



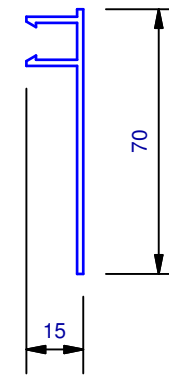
UA 5833  
Soffit 30mm Clip Top



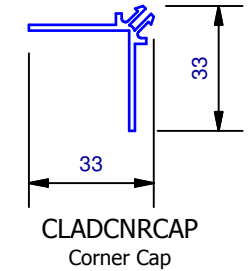
UA 6324  
2 Piece Jointer Base



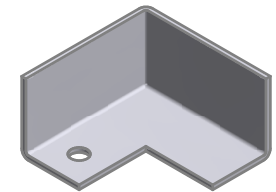
UA 5831  
Soffit Clip Base



UA 7095  
Male Flat Corner



CLADCNRCAP  
Corner Cap



CLADSTAKECNR  
Plastic Staking Corner

