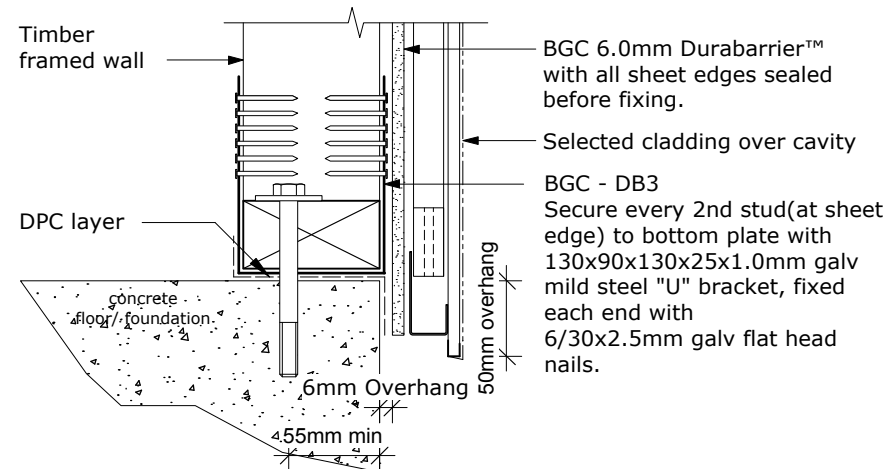


BGC**Fibre Cement**

Brace Element Hold Down - Construction Detail
BGC 6.0mm Durabarrier™ - DB3 Sheet overhang & Bracket
(concrete floor)

PROFILE BGC Durabarrier™

DETAIL Brace Element Hold Down - Section

DATE May 2011

SCALE 1:5 @ A4

DETAIL NO. DB 11