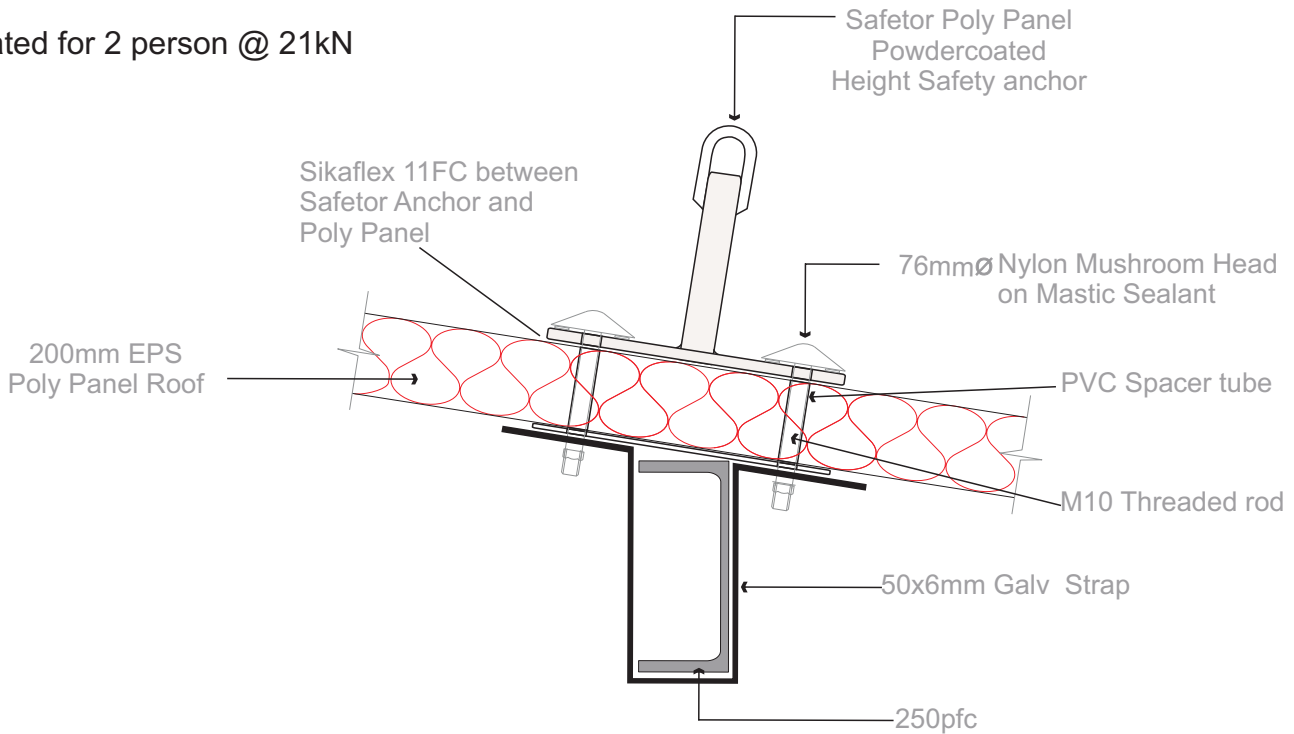


Safetor Poly Panel Height Safety anchor (SPPA)

Structural attachment Detail

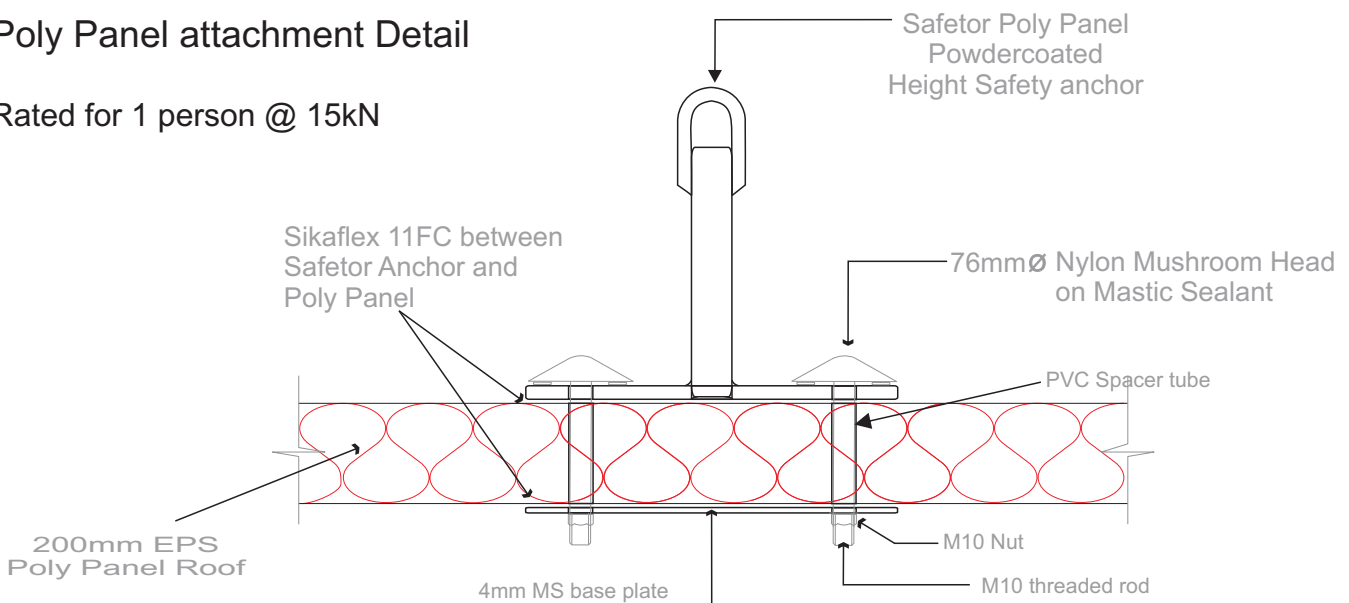
Rated for 2 person @ 21kN



Safetor Poly Panel Height Safety anchor (SPPA)

Poly Panel attachment Detail

Rated for 1 person @ 15kN

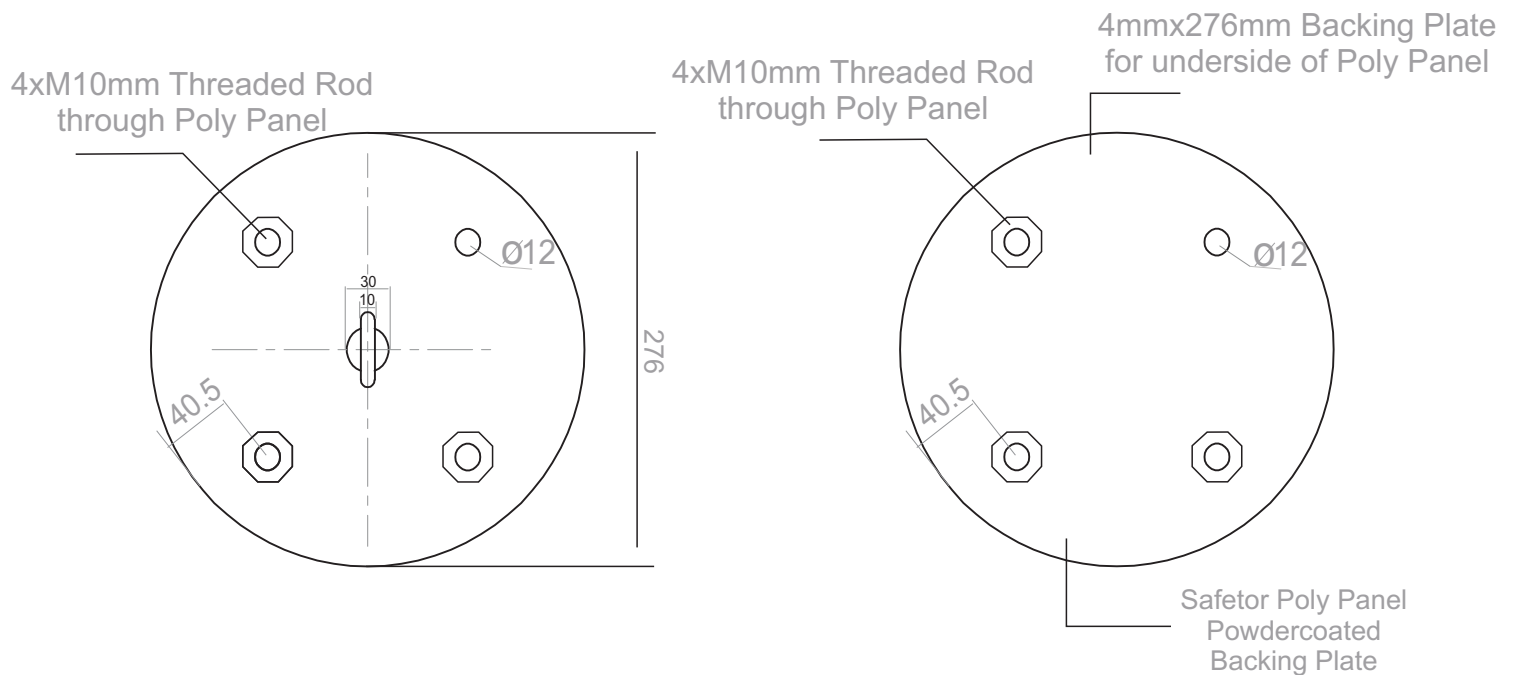
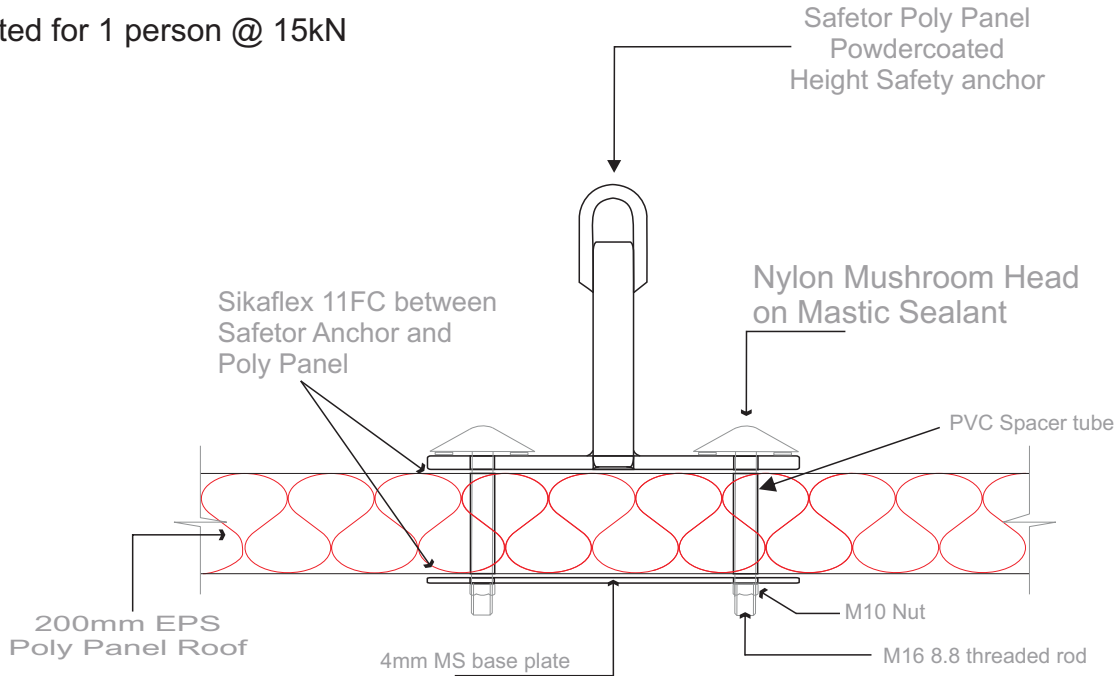


**NB: Never work in Fall-Arrest
Always work in Restraint**

Safetor Poly Panel Height Safety anchor (SPPA)

Poly Panel attachment Detail

Rated for 1 person @ 15kN

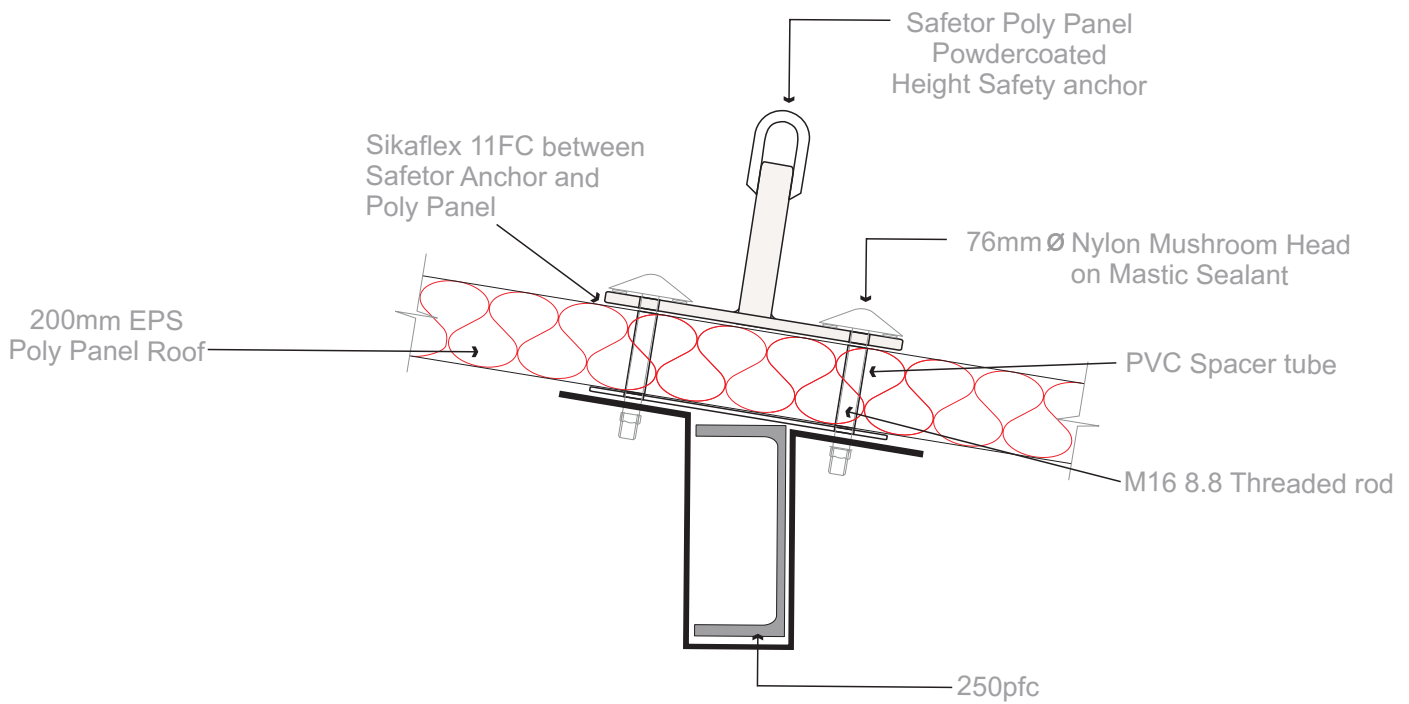


- NB: 1. You should always seek advice from a structural engineer before installing any height safety anchor points to any buildings or structures
2. All height safety anchors should be used as restraint anchors only

Safetor Poly Panel Height Safety anchor (SPPA)

Structural attachment Detail

Rated for 2 person @ 21kN



Safetor Poly Panel Height Safety anchor (SPPA)

Certification:



**MATERIALS & TESTING
LABORATORIES LIMITED**
Destructive & Non-destructive Test House

CERTIFICATE OF TEST

Report No. 23787.1
Page 1 of 1 page

Reference: COLLINS CORPORATION
Attention: Nick

Load Testing of "Safety Roof Anchor"

Identification: 3 x Short Shaft Roof Anchors supplied & painted Black, # 2142, 2141 & 2140.

Test Equipment: Shimadzu Universal Grade 1 Testing Machine, Model REH 50, Serial No. 72666. Calibration due May 2008.

RESULTS:

Unit	Test #	Position	kN	Kg	Remarks
2142	1	Vertical Tensile Load	70.45	7184	Eye elongated; yielded
2141	2	Sideways pull – parallel to eye	40.45	4125	Eye snapped
2140	3	Sideways pull – parallel to eye	47.82	4876	Eye snapped

This report applies only to the samples under test.

Tested by: NU
Date tested: 18/10/07
Reported by: NU
Date reported: 26/10/07
Checked by: *NU*

Signed: *J Saunders*
J SAUNDERS