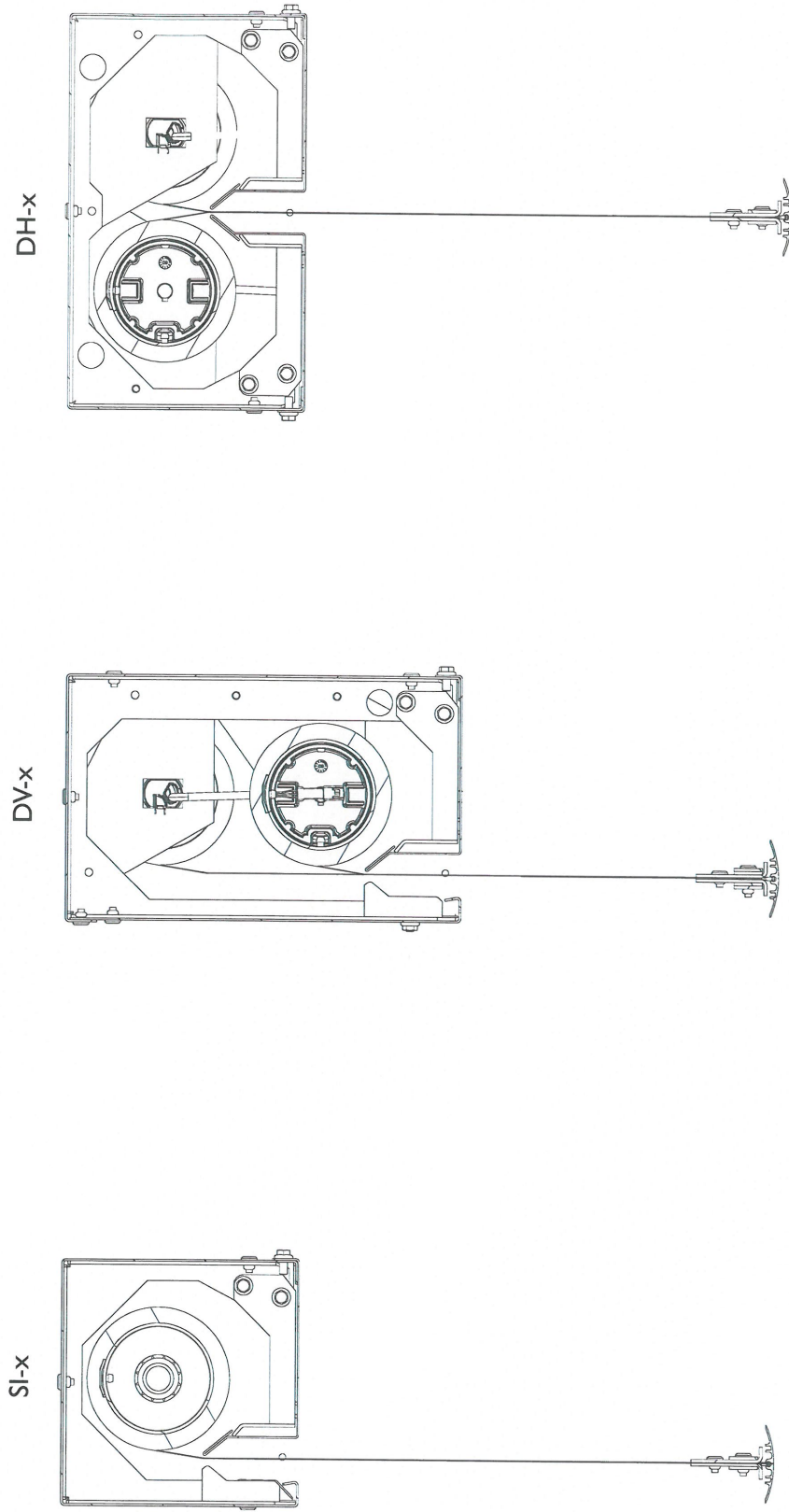


Headbox type SI / DH / DV

Depending on the height of the unit and the temperature classes, either the **type N** casing or the larger **type L** casing are used.



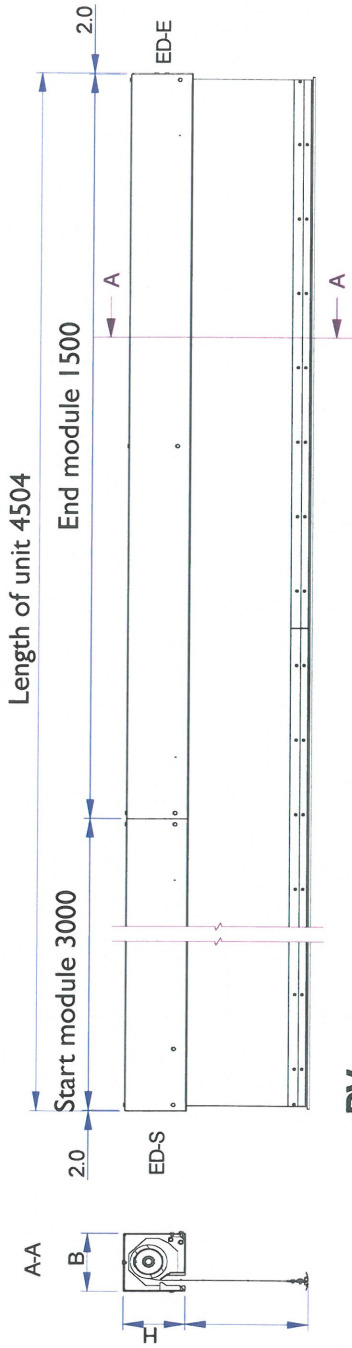
Casing dimensions

	Width [B]	Height [H]
SI-N	155	150
SI-L	180	185

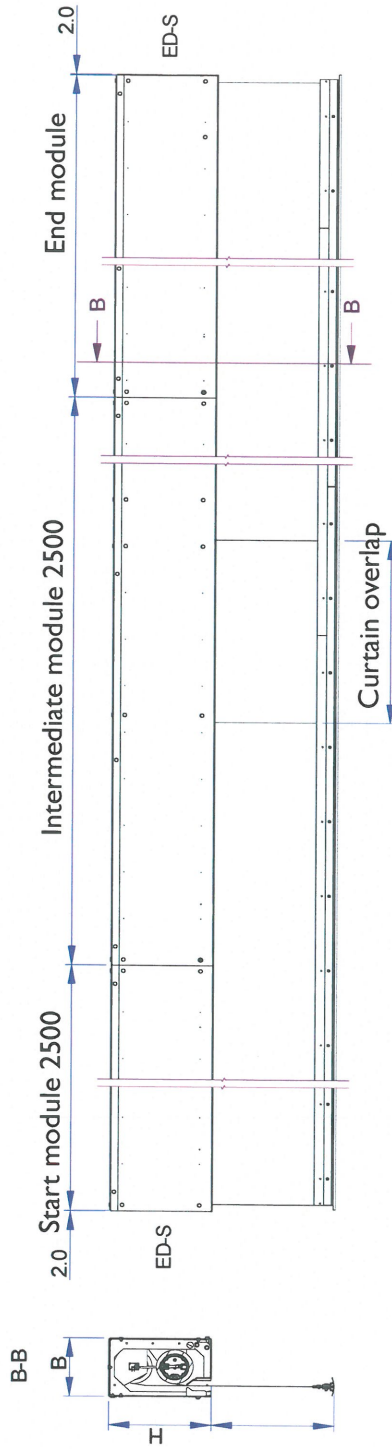
	Width [B]	Height [H]
DV-N	155	250
DV-L	180	300

	Width [B]	Height [H]
DH-N	250	150
DH-L	300	185

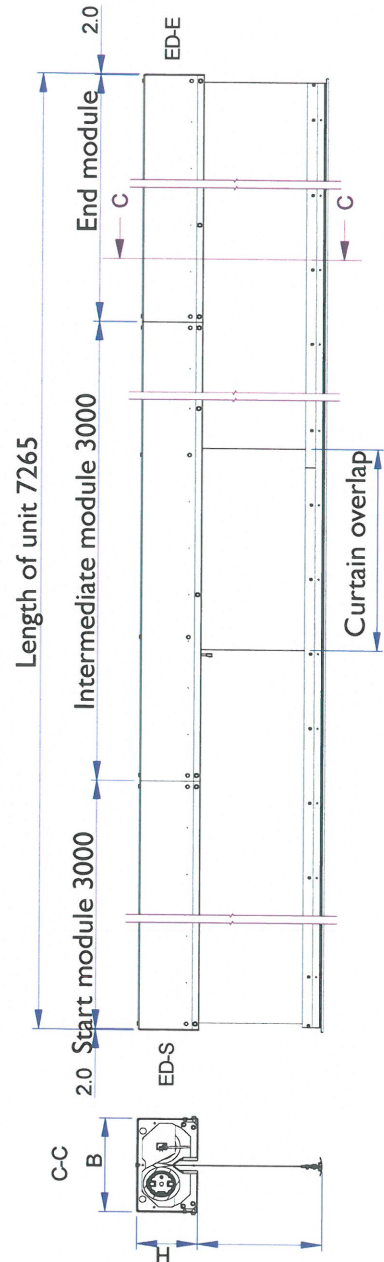
SI



DV

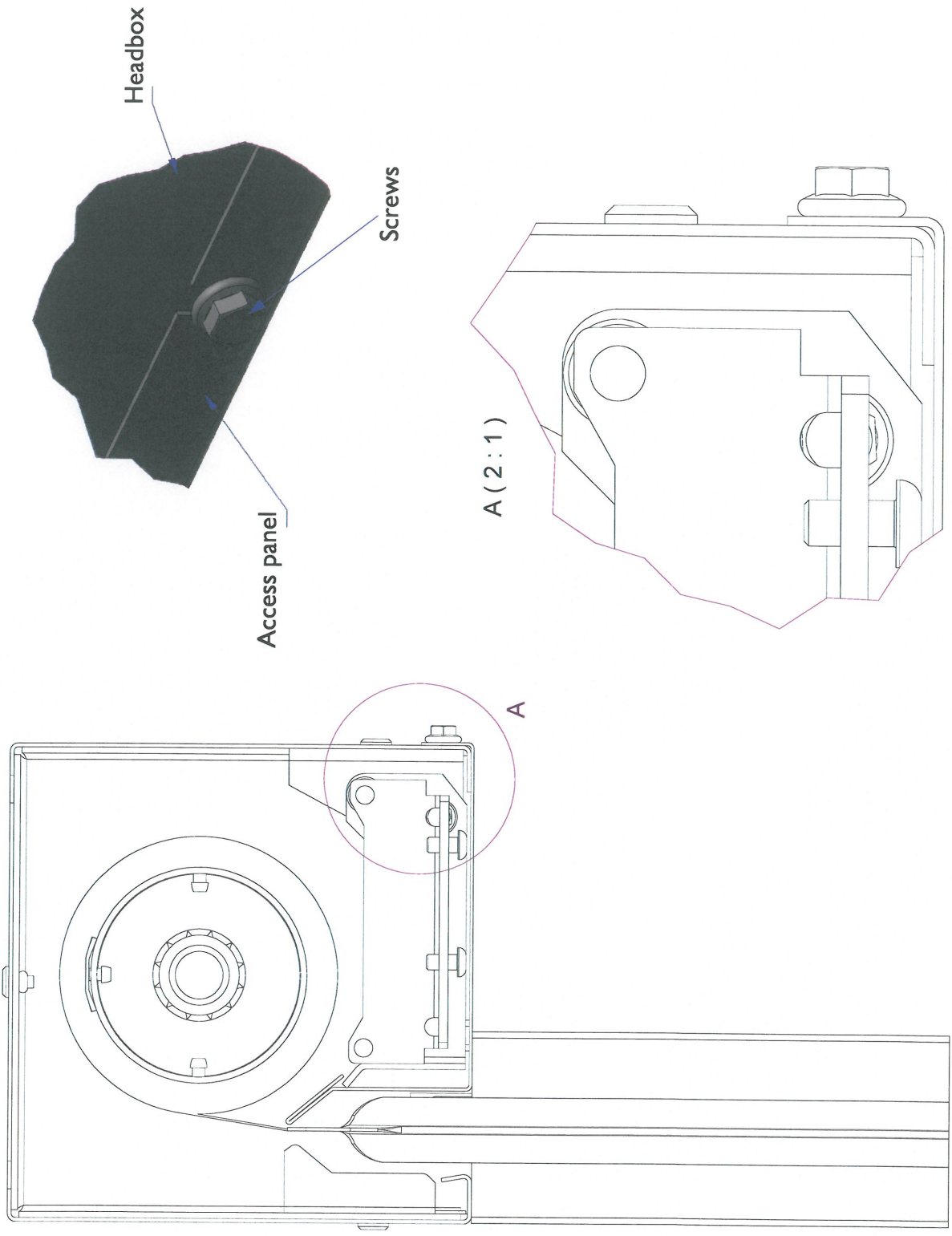


DH



Attaching the access panels

The bottom access panels are attached to the casing by means of screws on the side of the casing.



Corners are used to change the direction within one length of curtains.

I = Number within one length of curtains
C = Corner pieces
90 = Angle in degrees

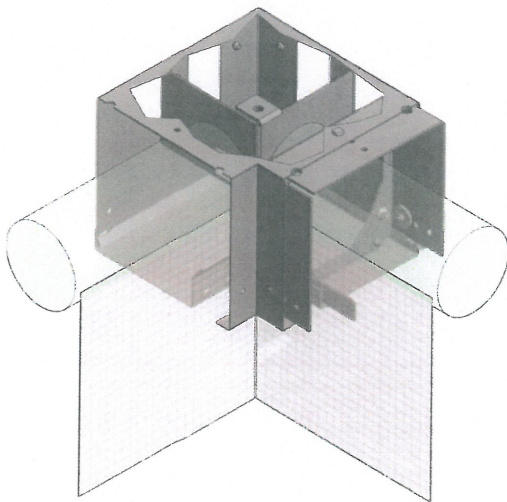
or CS = Special, angle details to be provided

The following are the different variations that are available:

Caution Only possible for D120 temperature class.

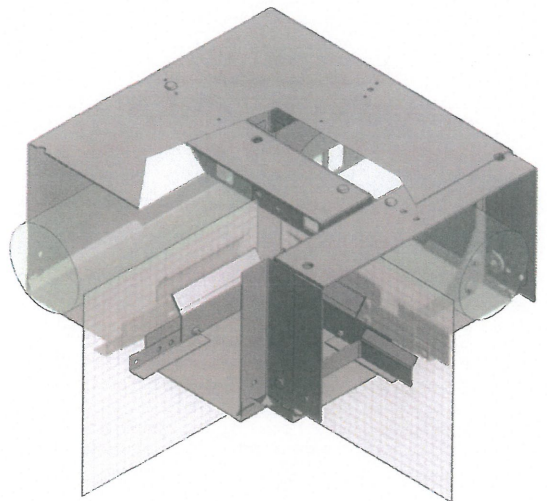
Headbox type: "SI"

Cloth axis / drop is always on the **inner** side.



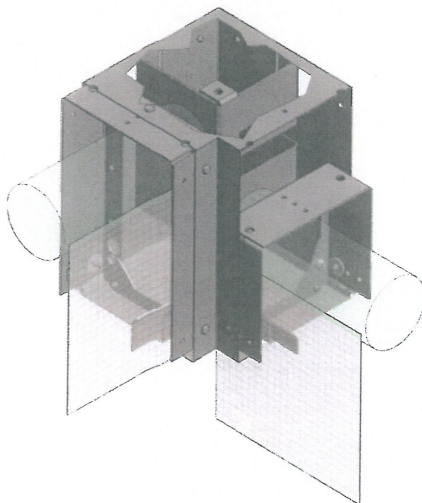
Headbox type: "DH"

Cloth axis / drop is always in the **middle**.



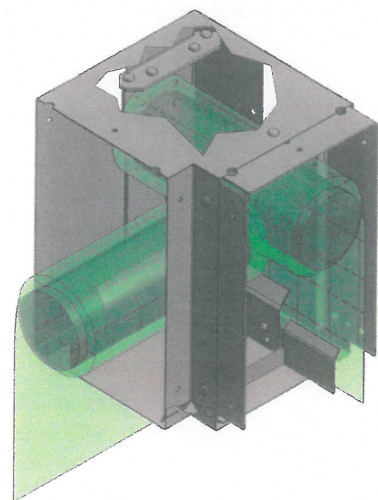
Headbox type: "DV"

Cloth axis / drop is always on the **inner** side.



Headbox type: "DV"

Cloth axis / drop is always on the **outside**.



T pieces

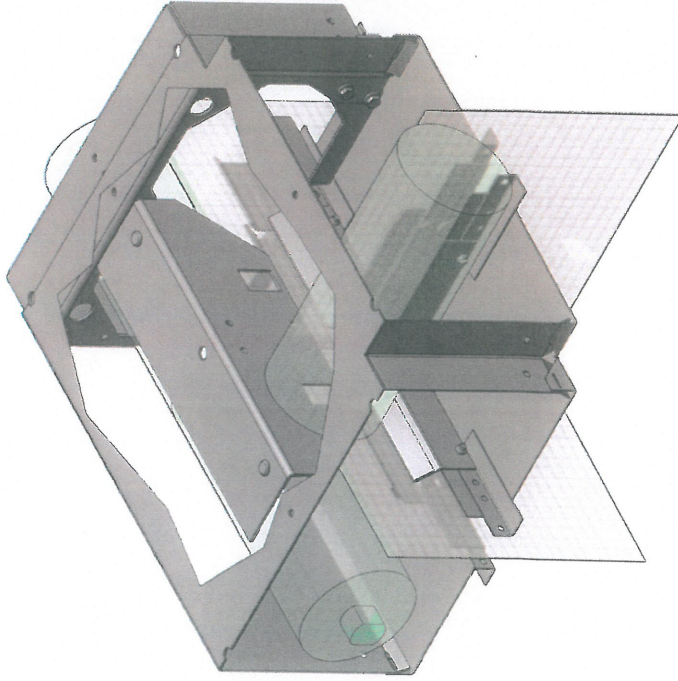
These are available only with **DH** or **DV** variants and need a special enquiry.

I = Number within one length of curtains
T = T piece
90 = Angle in degrees

Caution Only available for D120 curtains.

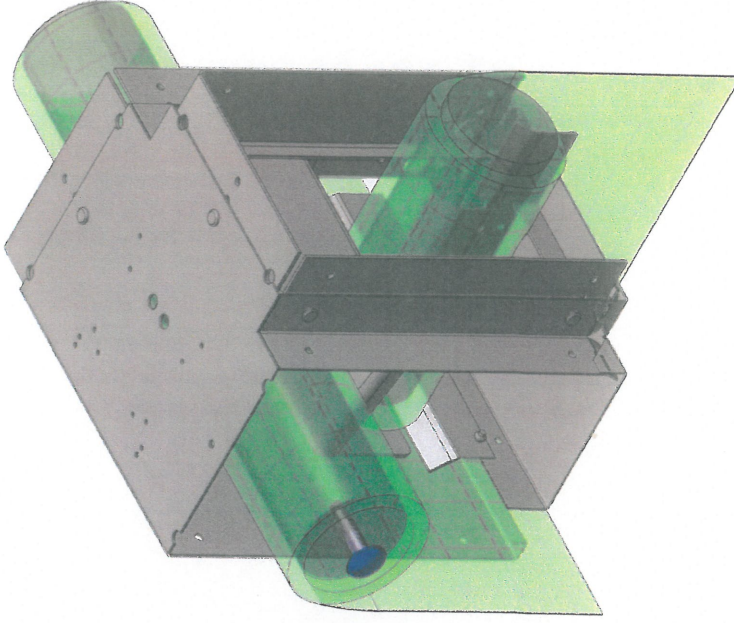
T piece T-90

Headbox: DH



T piece T-90

Headbox: DV:



Caution For ordering T-pieces a concrete specification and drawings are required.