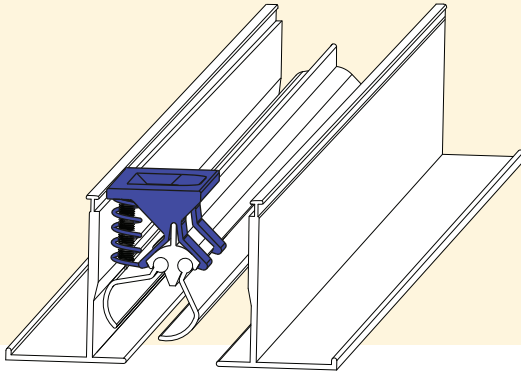
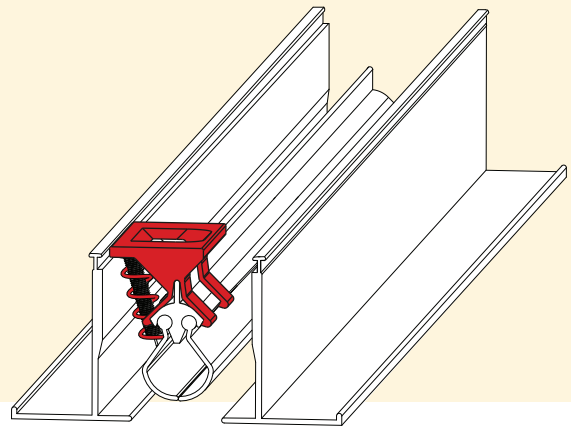


## Model: CSD-T – Thermally Operated Ceiling Slot Diffuser

CSD-T – Cooling



CSD-T – Heating



### CSD-T – Thermally Operated Ceiling Slot Diffuser

The Holyoake CSD-T Thermally Operated Ceiling Slot Diffuser is designed to utilise standard CSD Slot Diffuser components, which provide unobtrusive, draft less air distribution over widely ranging airflows. Particularly suited to variable air volume applications and ideal for perimeter supply in major commercial buildings.

The unique die cast clip attaches to the pattern blades to provide CSD with a thermal control, enabling energy savings to be made and improvements in room comfort levels. Above 35 Degrees C the CSD-T starts to move the pattern position, providing vertical airflow.

**On Multi-Slot diffusers CSD-T is required on the first slot only. Discuss with your local Holyoake branch other options available.**

### Construction

Extruded aluminium continuous or discrete length linear slot diffusers. Utilising Standard CSD components and mounting frame, with a specifically designed die cast clip containing a temperature sensitive alloy, for thermal adjustment of the pattern blades.

### Features

- CSD-T thermal option, to give CSD a self powered thermal control.
- **Die cast clip may be retrofitted to existing installations.**
- Operation is controlled by a temperature sensitive alloy.
- Changes the air distribution pattern from horizontal (ceiling when cooling), to vertical (down to floor in heating).
- Energy savings and improvement in comfort level.
- Enables cost savings to be made.

Guide Product Weights

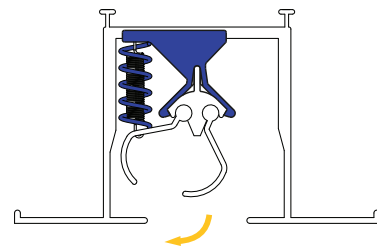
Model	Approximate Weight in Kg
CSD-T Die Cast Thermal Clip	0.05
Add to CSD 19 or 25 Weights*	0.05

\*Refer to your local Holyoake branch for quantities per specific diffusers.

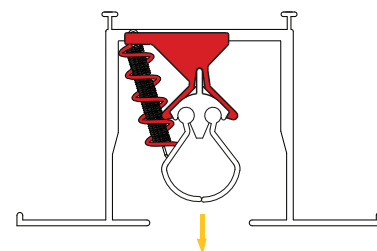
### Notes

1. Only suitable for CSD25 models.
2. Use CSD Horizontal and Vertical Performance Data.
3. On Multi-Slot diffusers, CSD-T is required on the first slot only.
4. Refer to your local Holyoake branch for CSD-T quantity required, per slot length and any special site requirements.
5. Seismic restraints required but not supplied.

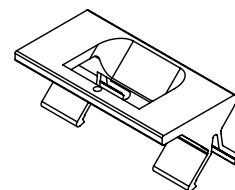
### CSD-T – Pattern Control Positions



UPON COOLING PATTERN CONTROL MOVES UPWARDS DIRECTING COOL AIR ALONG THE CEILING.



UPON HEATING PATTERN CONTROL MOVES DOWN DIRECTING WARM AIR VERTICALLY.



DIE CAST CLIP AS DETAILED ABOVE