

MANROSE[®]
DESIGNER SERIES

BLUE JET

EC INLINE DUCT FAN



Powerful & efficient

AIR MOVEMENT

- Powerful mixed flow jet streaming
- Settable for continuous slow extraction
- Long life brushless energy efficient EC fan motor
- Compact design



FAN6960

**Powerful & Energy Efficient
150mm High Pressure & Airflow**

FAN6960



**Adjustable
Noise Level**



**Adjustable
Exhaust Speed**



**Adjustable
Energy Efficiency**

BLUE JET

EC INLINE DUCT FAN

Best in Class Performance

The Manrose Blue Jet EC mixed flow inline fan is truly at the forefront of high pressure and airflow performance technology. The compact 150mm unit occupies minimal space while being suitable for a very wide range of applications.

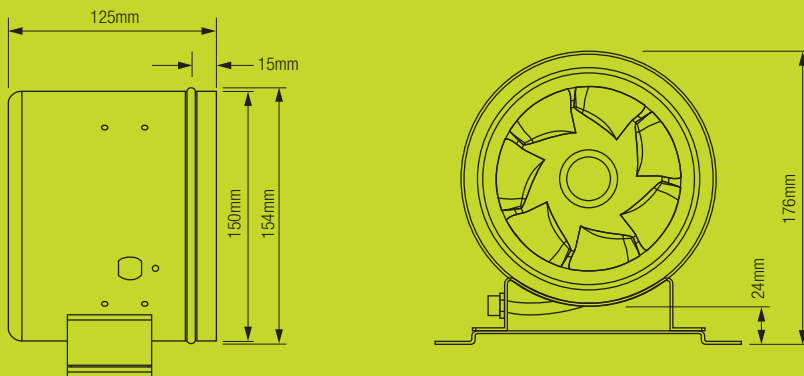
The fan incorporates a cold rolled metal housing, jet design mixed flow impeller and fixed blade airflow guides, while being equipped with a cutting edge brushless EC motor providing exceptional energy efficiency. The fan has variable speed control via the supplied controller and cable.

Thanks to its innovative design, the Manrose Blue Jet fan delivers greater air volume and, high air pressure with the best in class installed performance, against reduced power consumption.

Features

- Jet technology inspired impeller and fixed blades, designed to efficiently channel air dynamically to create higher air pressure and airflow
- Aluminium/cold rolled metal fan housing for resistance to tough operating environments
- Variable speed control for commissioning set up via supplied roof space controller
- Heavy duty NMB ball bearing for longer life
- Blade Fire-Proofing Grade UL94V-0
- 6-pole brushless motor with sine wave drive
- Locked-motor protection
- Soft-start motor driver
- 5 year warranty

Dimensions (mm)



Kit Contents

Product	FAN6960
150mm EC Mixed Flow Inline Fan	1
0-100% Speed Control (Potentiometer)	1
10m Control Cable	1
220-240V 3-Pin Plug and Lead	1

Technical Specifications

Power	220-240V AC, 50Hz
Fan Type	150mm mixed flow
Fan Speed	5000 RPM (max.)
Max. Watts	40W
Max. Pressure	490 Pa
Fan Performance	165 l/s, 594m ³ /hr
Specific Fan Power	0.24 W/l/s
Sound Level	60 dB(A)
Load Protection	Overcurrent
Housing	Cold rolled metal
Impeller	Plastic
Speed Control	0-100% potentiometer
IP Rating	IPX4

