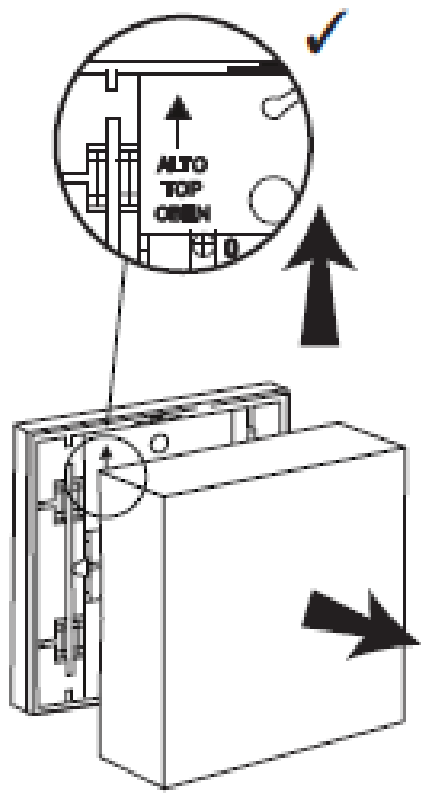
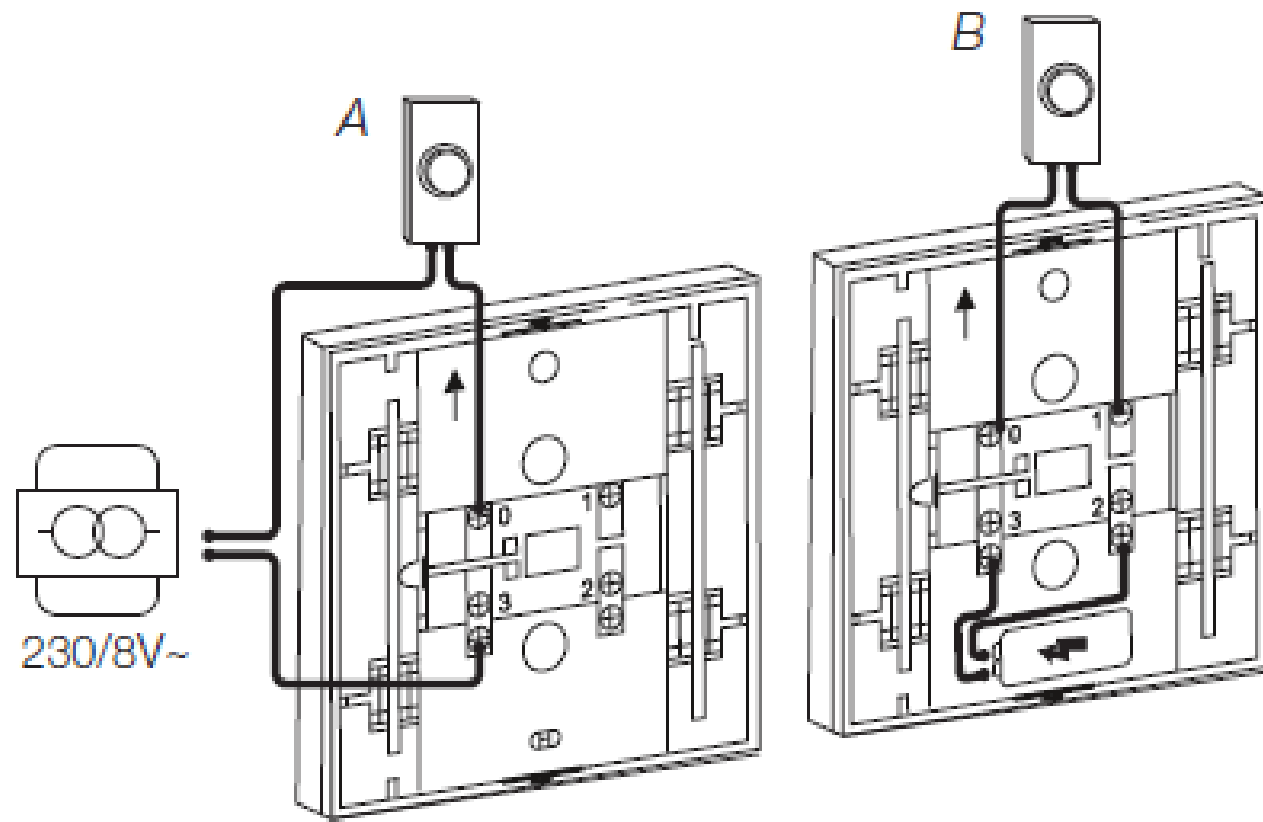


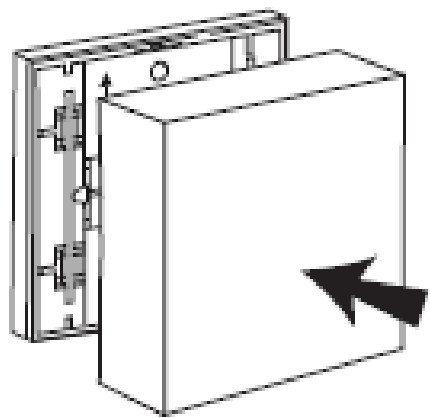
INSTALLATION INSTRUCTIONS



- 1** Lever off rear panel and screw base to wall with arrow on unit pointing UP



- 2** Wiring via transformer (A) or 9V battery (B)



- 3** Click rear panel back into place