

# Briton

## 2400 Series

Door controls



The Briton 2400 Series is a precision manufactured cam-action, slide channel door closer in a compact concealed unit.

With the closer body mounted within the top of the door, and the slide track within the head frame (or vice-versa), the Briton 2400 Series offers high resistance to abuse and offers a highly aesthetic solution, as it is fully concealed when the door is closed.

Providing exceptional ease of use by reducing the resistance encountered when opening the door, the Briton 2400 Series bridges the gap between the requirements for smoke control and ease of operation required for accessibility.

### Features

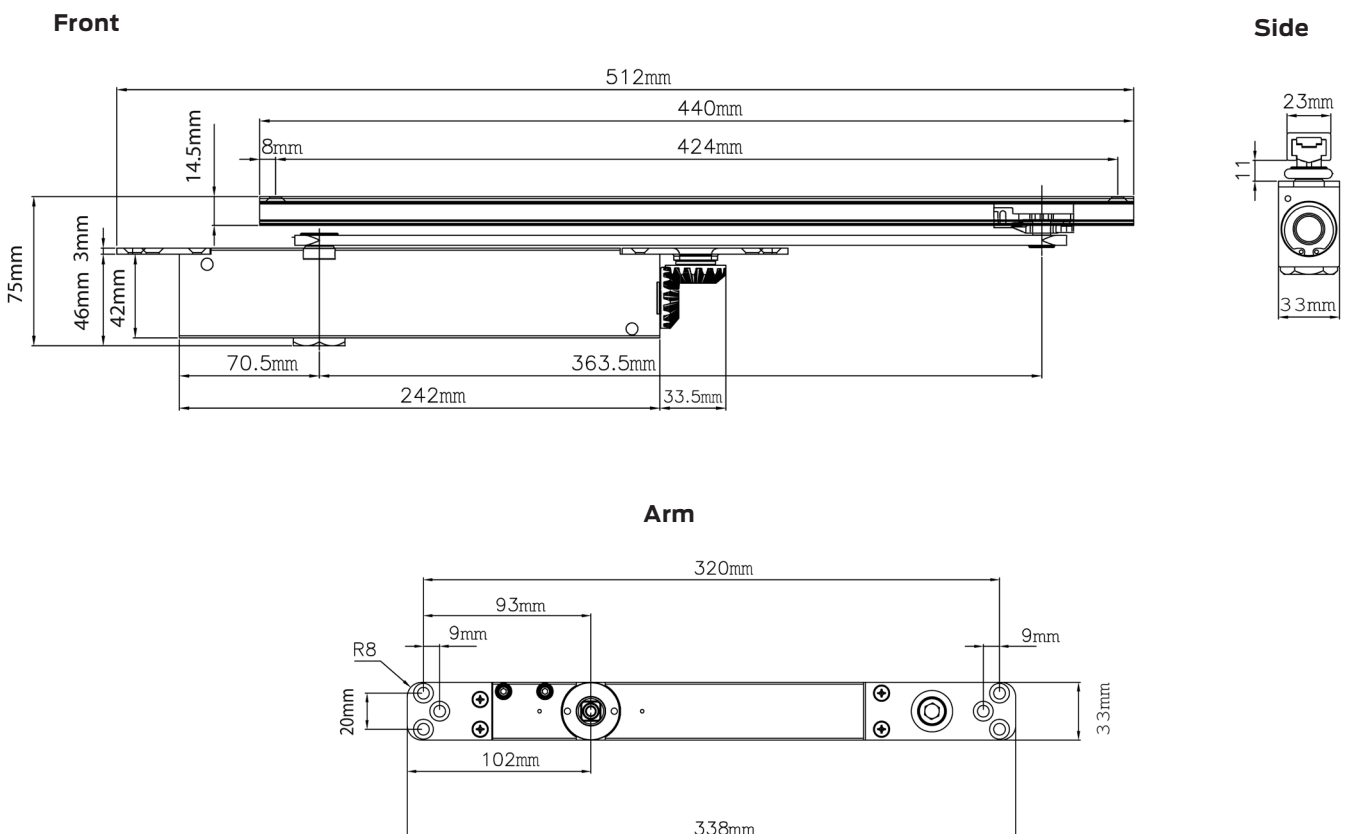
- Compact extruded aluminium body with cam action technology
- High quality hydraulic fluid with built-in temperature compensation
- Needle roller bearings provide increased bearing load for efficient operation and reliability
- Aluminium slide track 23mm wide
- Powder coated steel track arm with nylon runner
- Intumescent gasket available for fire door applications
- Adjustable closer strength 2 - 4
- Separate closing speed and latch action adjustment
- Optional mechanical hold-open available: 80° - 120° angle
- Sprayed silver finish
- 10 year warranty

# Specification guide

Brand	Description	Model	Function	Finish	
Briton .....	BNT	Concealed Cam Action Closer Strength 2-4	2420T	Track ..... T	Silver - SE

### Specifications

<b>Door type</b>	Timber or metal
<b>Door size</b>	Max width: 850mm – 1100mm Max weight: 40kg – 80kg
<b>Applications</b>	Morticed in door and jamb
<b>Adjustment controls</b>	Closing speed Latching speed
<b>Strength</b>	2-4 adjustable
<b>Options</b>	Hold open conversion kit available
<b>Finishes</b>	Silver
<b>Warranty</b>	10 year mechanical



## Regulating controls

The Briton 2400 has independent regulators to control:

<b>Closing speed</b>	Adjustment to increase or decrease the speed at which the door closes. This allows the appropriate momentum to close the door in a safe and secure manner. Closing speed adjustment operates from the maximum opening to 15°
<b>Latching speed</b>	The latching speed allows the door to close quietly and firmly. It can be adjusted to increase or decrease the speed at which the door finally closes. This assists the final stage of the closing cycle to help overcome stubborn latch bolts or air pressure conditions. Alternatively the latching speed can be decreased to cushion the door into the frame. The latching speed adjustment operates from 15° to closing. A further option to increase the latching power is to reverse the arm bracket shoe

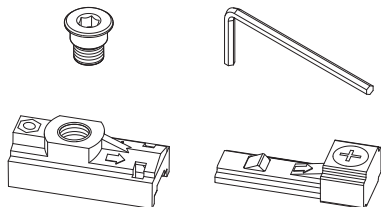
## Functions

<b>Regular</b>	For applications where the door must fully close after each opening
<b>Hold open</b>	Suitable for doors where the door may need to be left in a hold open position. The hold open function can be set to hold open at a single point. Hold open closers can not be used on fire doors

## 2400 Series Accessories

### Hold open conversion kit

Allows doors to be held open at desired position. Not to be used on fire doors.



### Cushion stop

Optional cushion limit stay for standard applications to assist slowing door in opening cycle



### Flush fixing plate

Allows body of closer to be fixed flush with the top of the door. Ideal for hollow metal doors.

