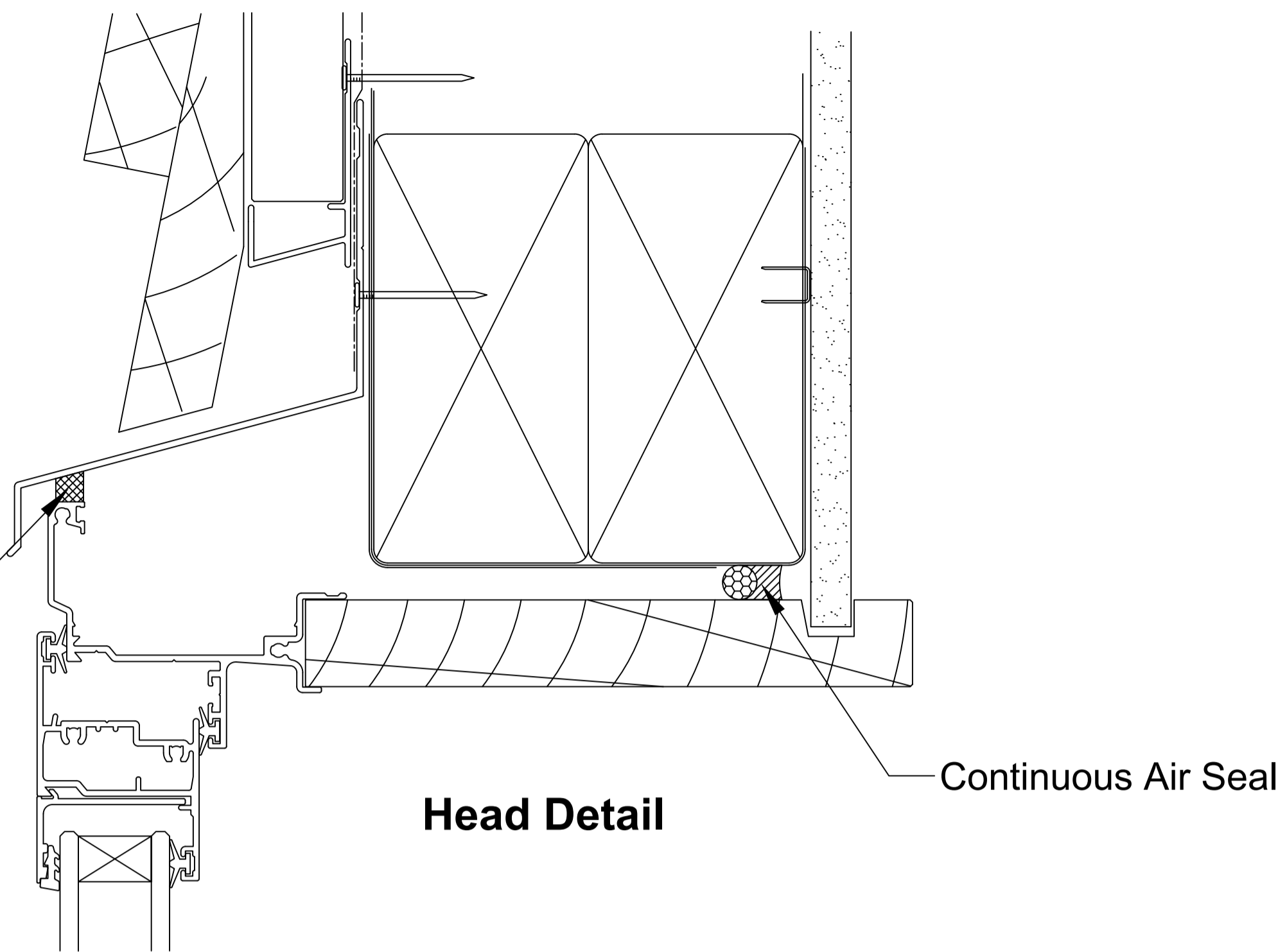


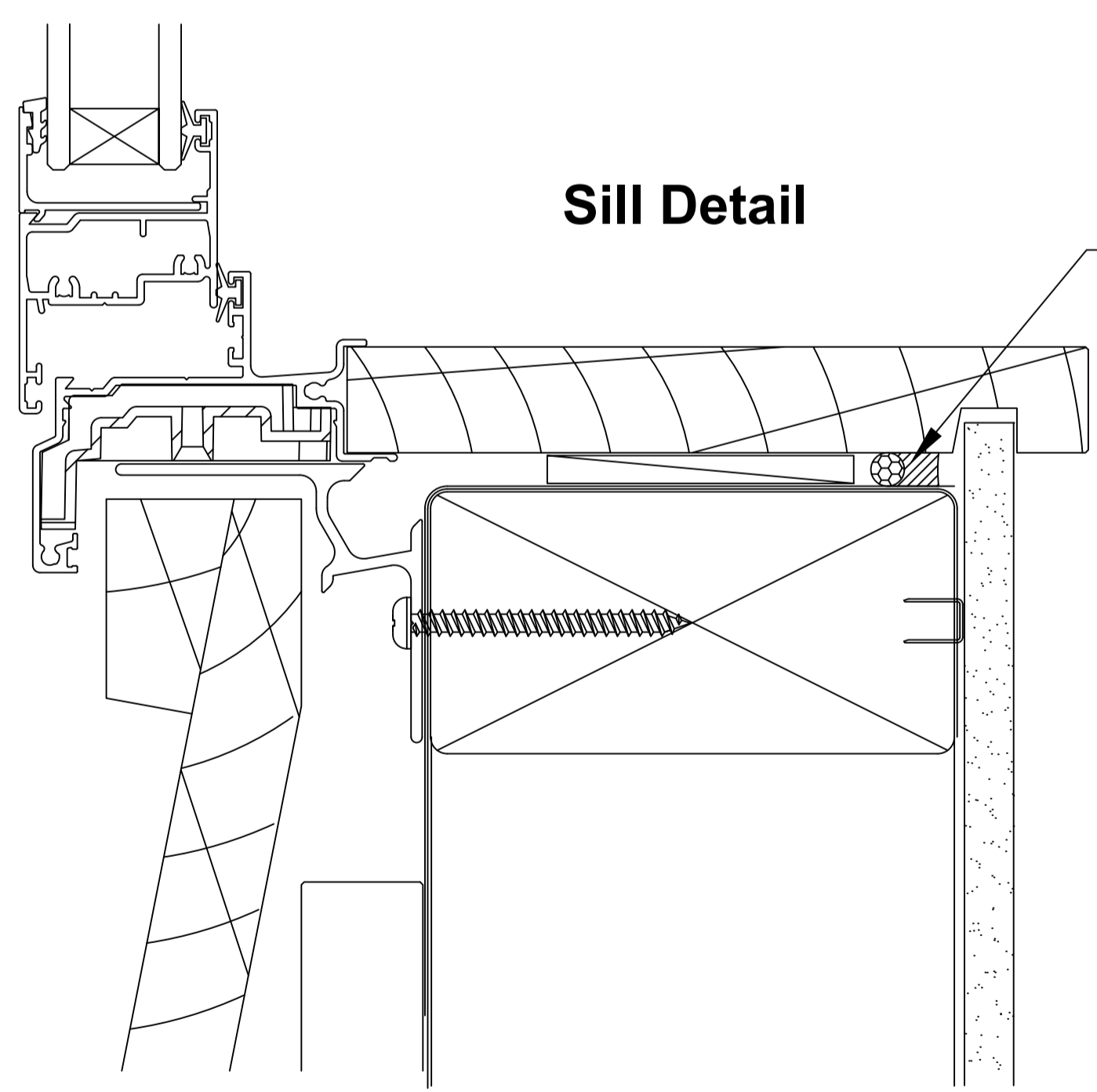
Bevel-Back Weatherboard

Head seal
For Very High
Wind Zone



Sill Detail

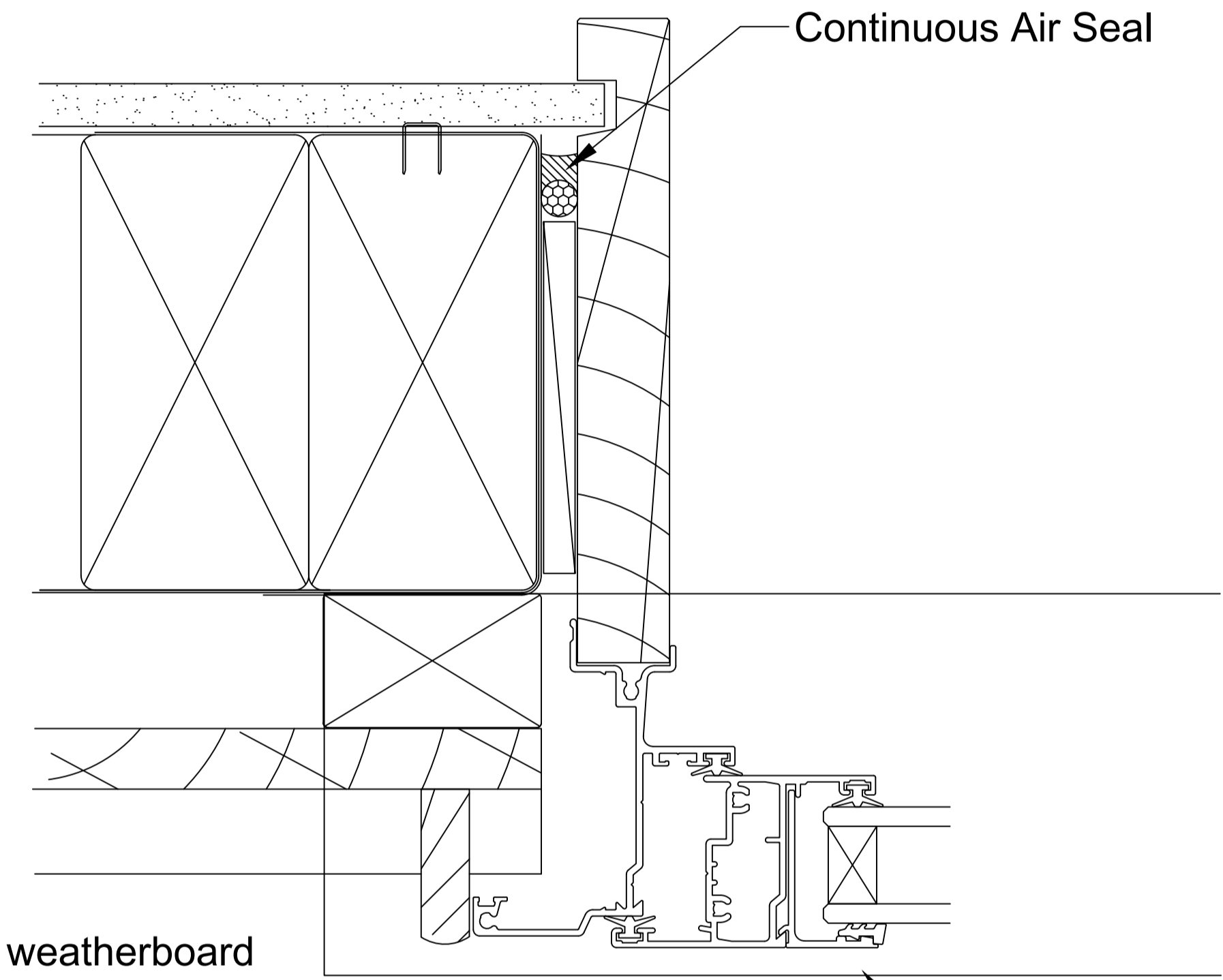
Continuous Air Seal



Bevel-back weatherboard

Jamb Detail

Line of Head
Flashing above



Note:

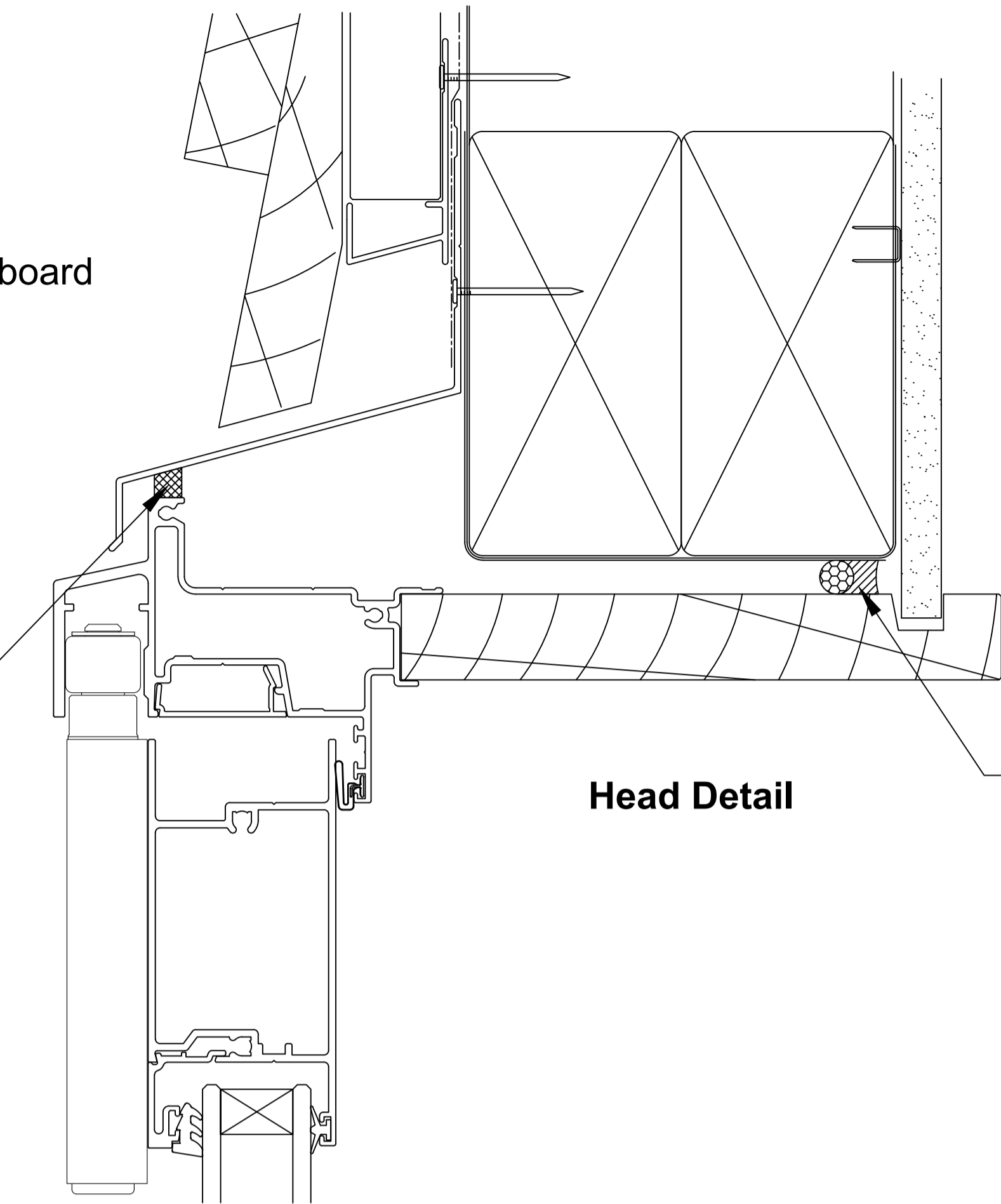
Sill support bar may be up to 100mm short of the Trim Opening at either end.
It is recommended that the bar is installed the full Width of the opening to ensure it picks up the window or door frame support blocks.

Bevel-Back Weatherboard

Head seal
For Very High
Wind Zone

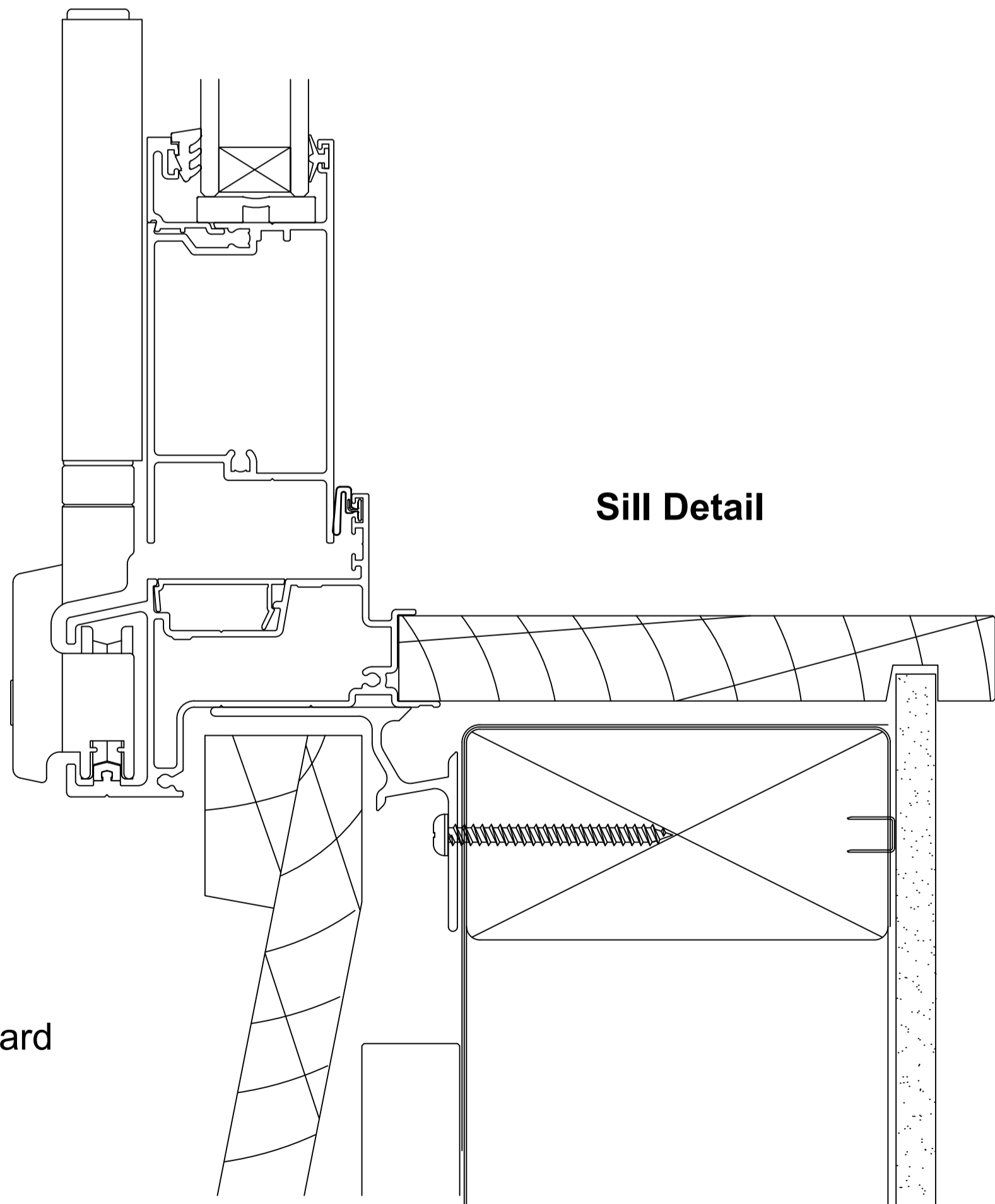
Head Detail

Continuous Air Seal



Sill Detail

Bevel-Back Weatherboard

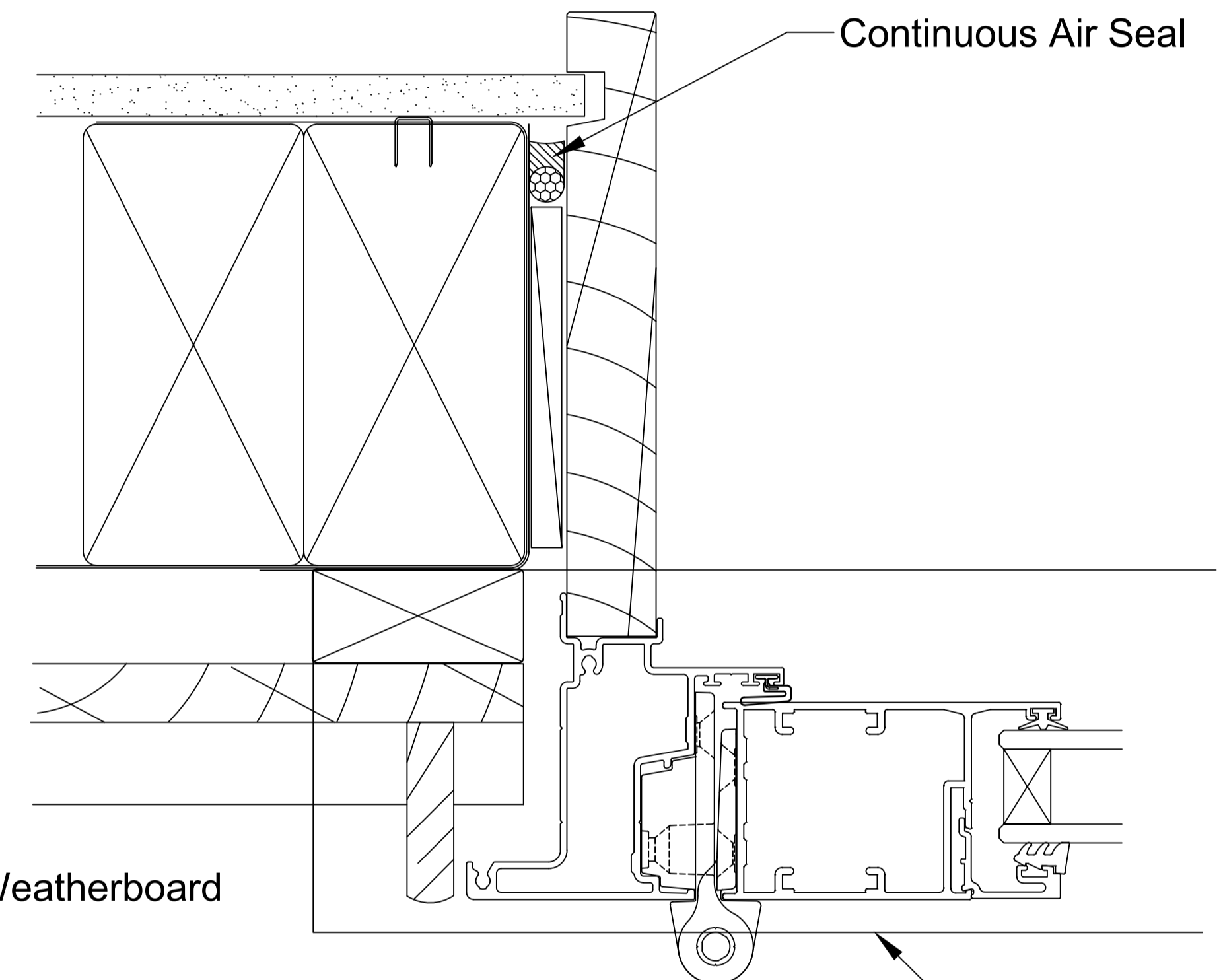


Bevel-Back Weatherboard

Continuous Air Seal

Jamb Detail

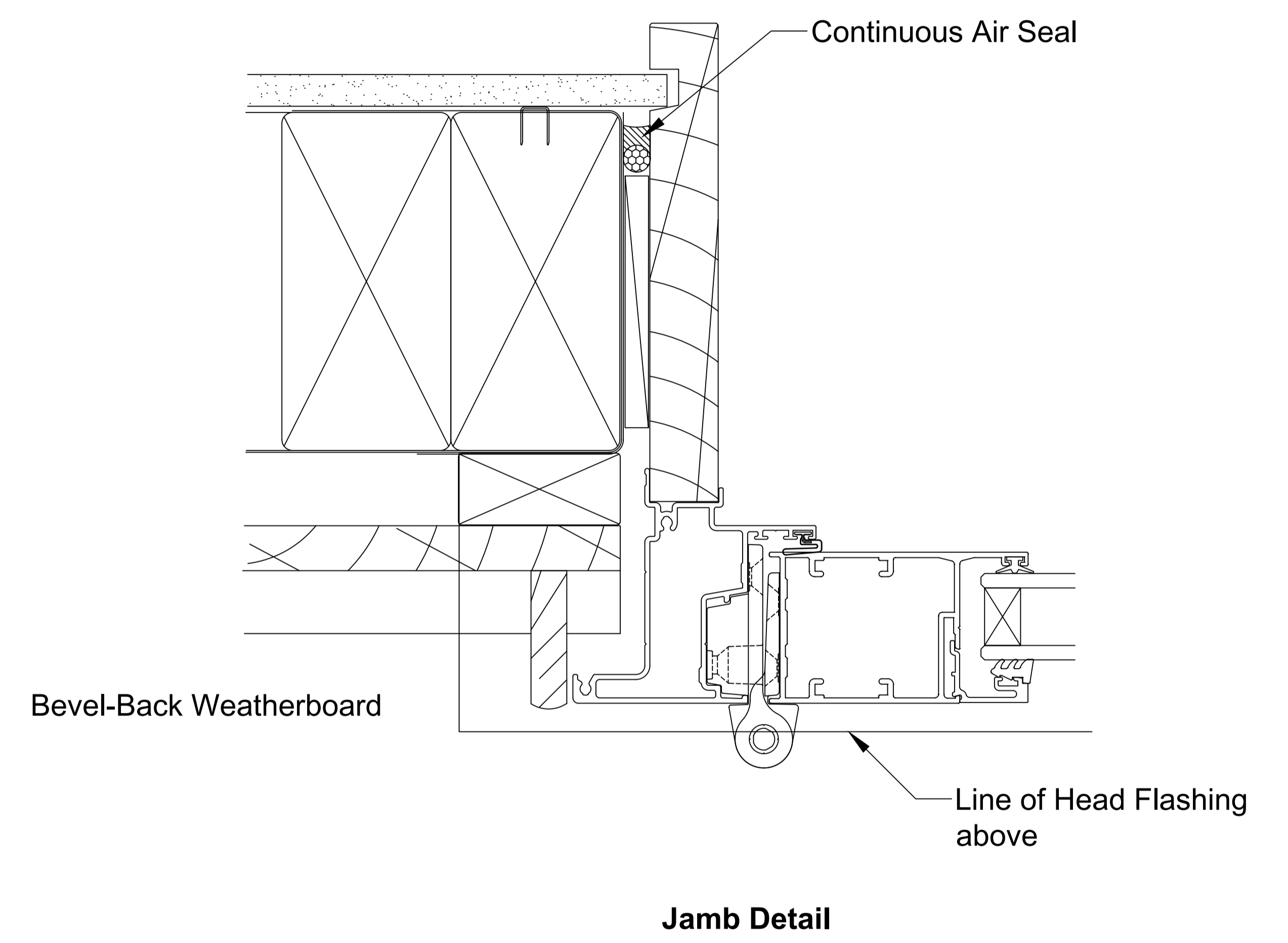
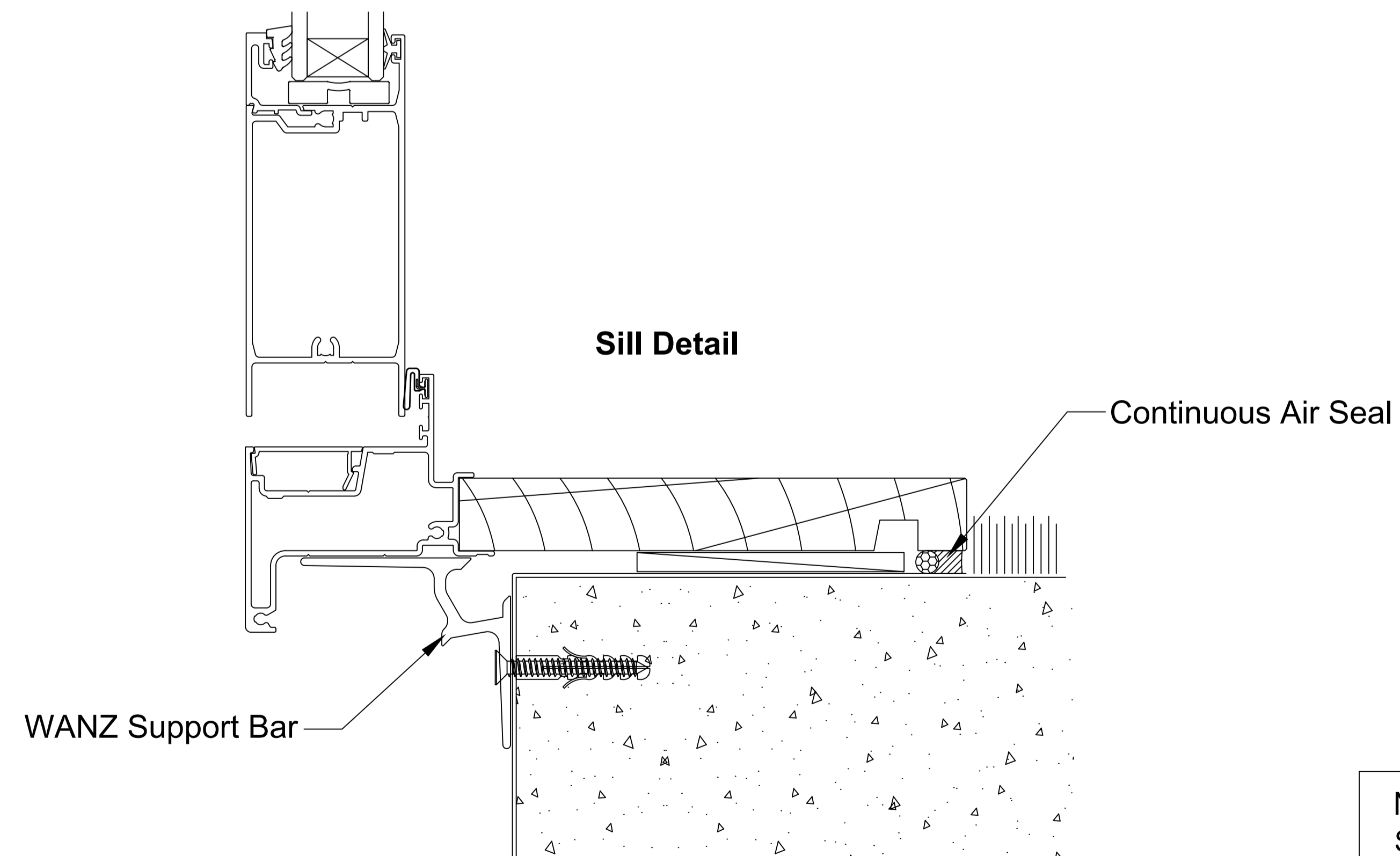
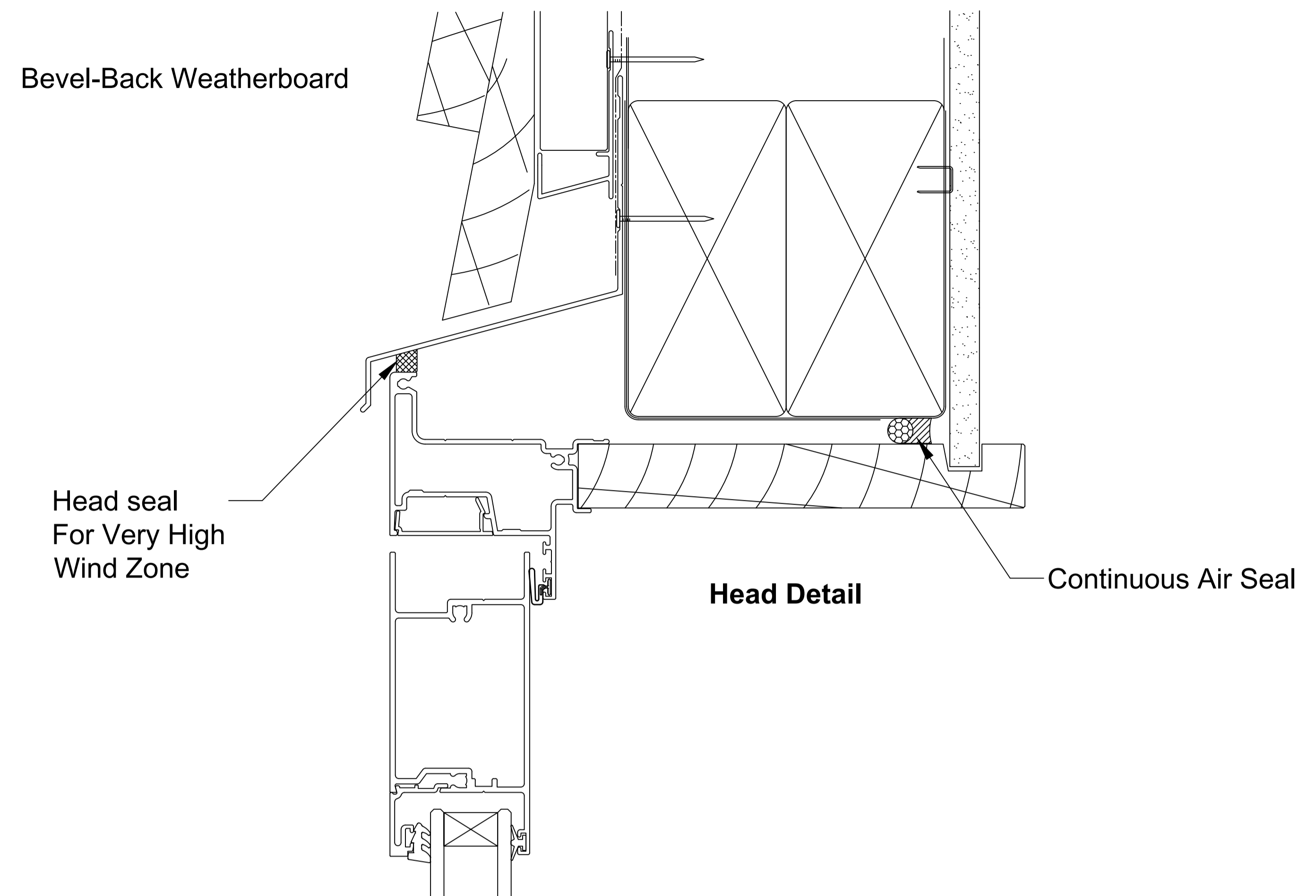
Line of Head Flashing
above



Note:

Sill support bar may be up to 100mm short of the Trim Opening at either end.

It is recommended that the bar is installed the full Width of the opening to ensure it picks up the window or door frame support blocks.



Note:
 Sill support bar may be up to 100mm short of the Trim Opening at either end.
 It is recommended that the bar is installed the full Width of the opening to ensure it picks up the window or door frame support blocks.

Bevel-Back Weatherboard

Head seal
For Very High
Wind Zone

Head Detail

Continuous Air Seal

Bevel-Back Weatherboard

Continuous Air Seal

Line of Head Flashing
above

Jamb Detail

Sill Detail

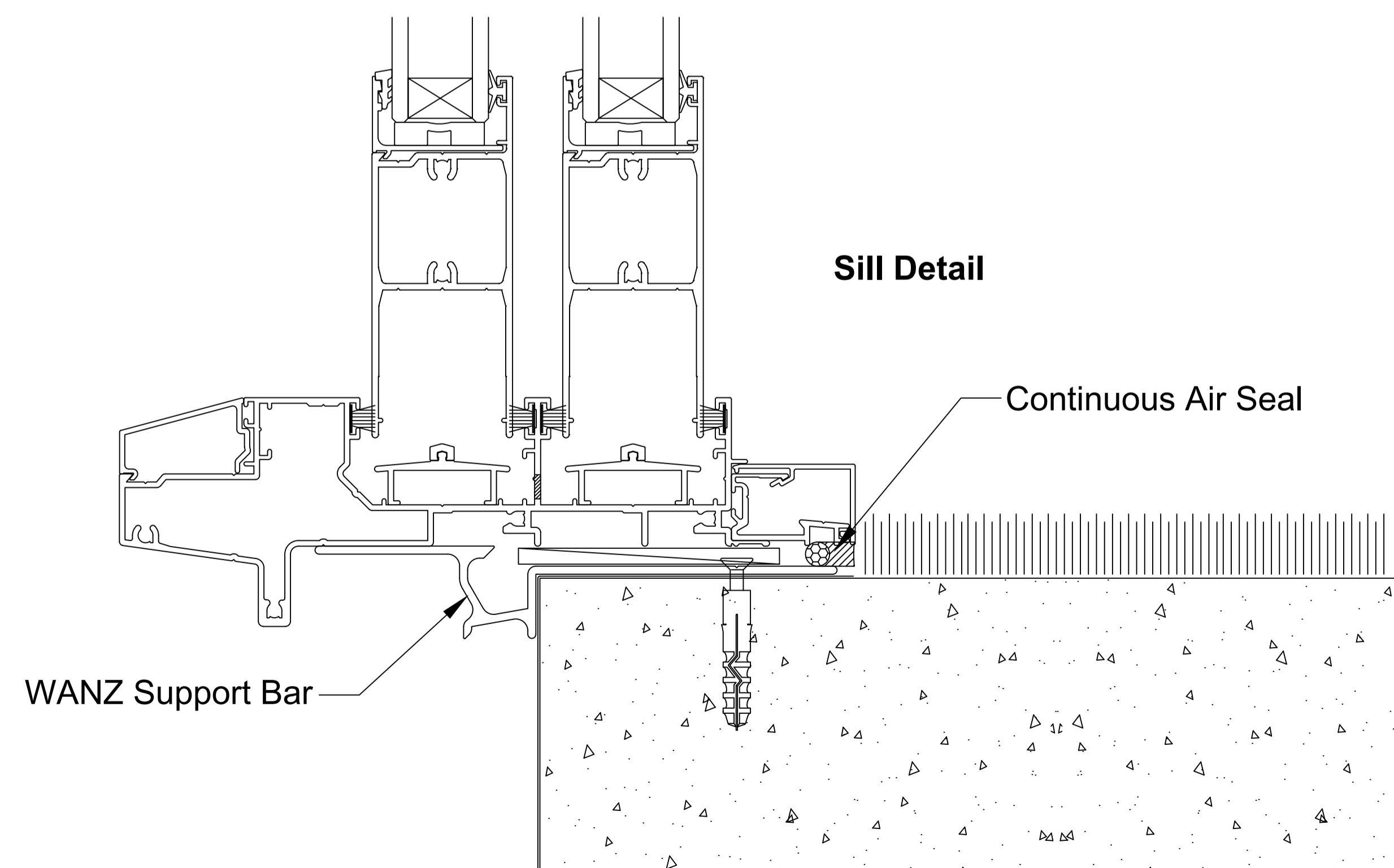
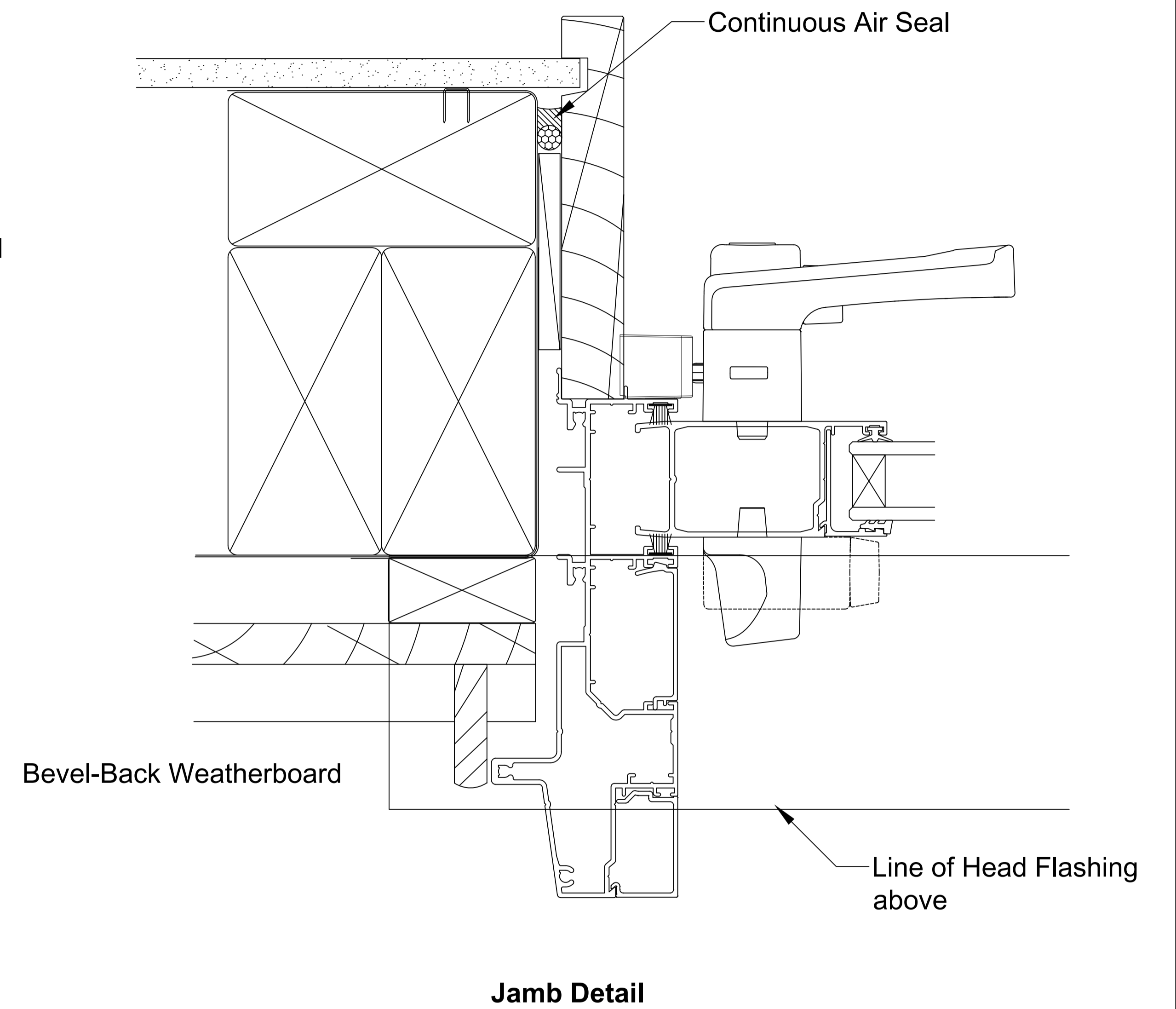
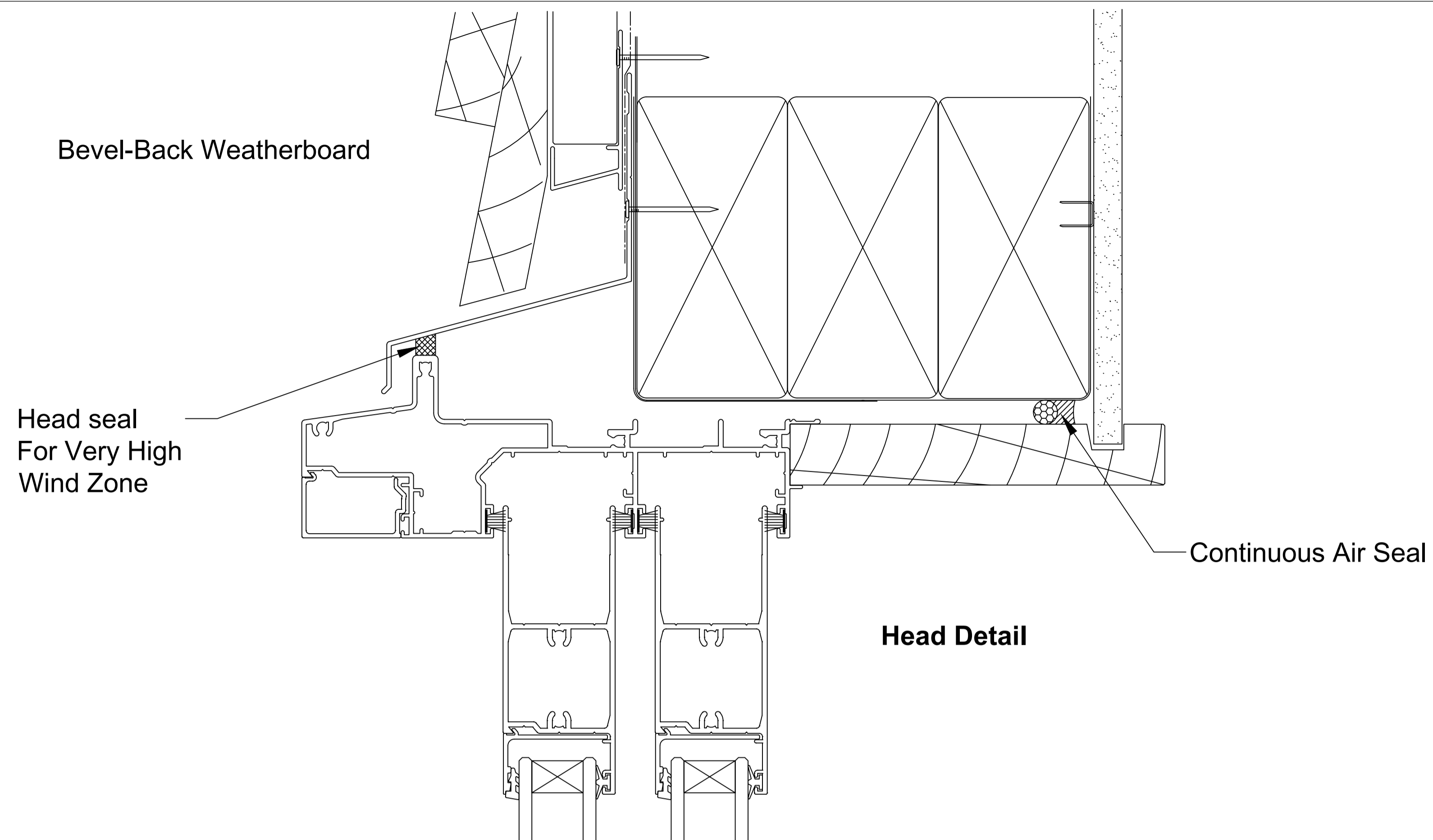
Continuous Air Seal

WANZ Support Bar

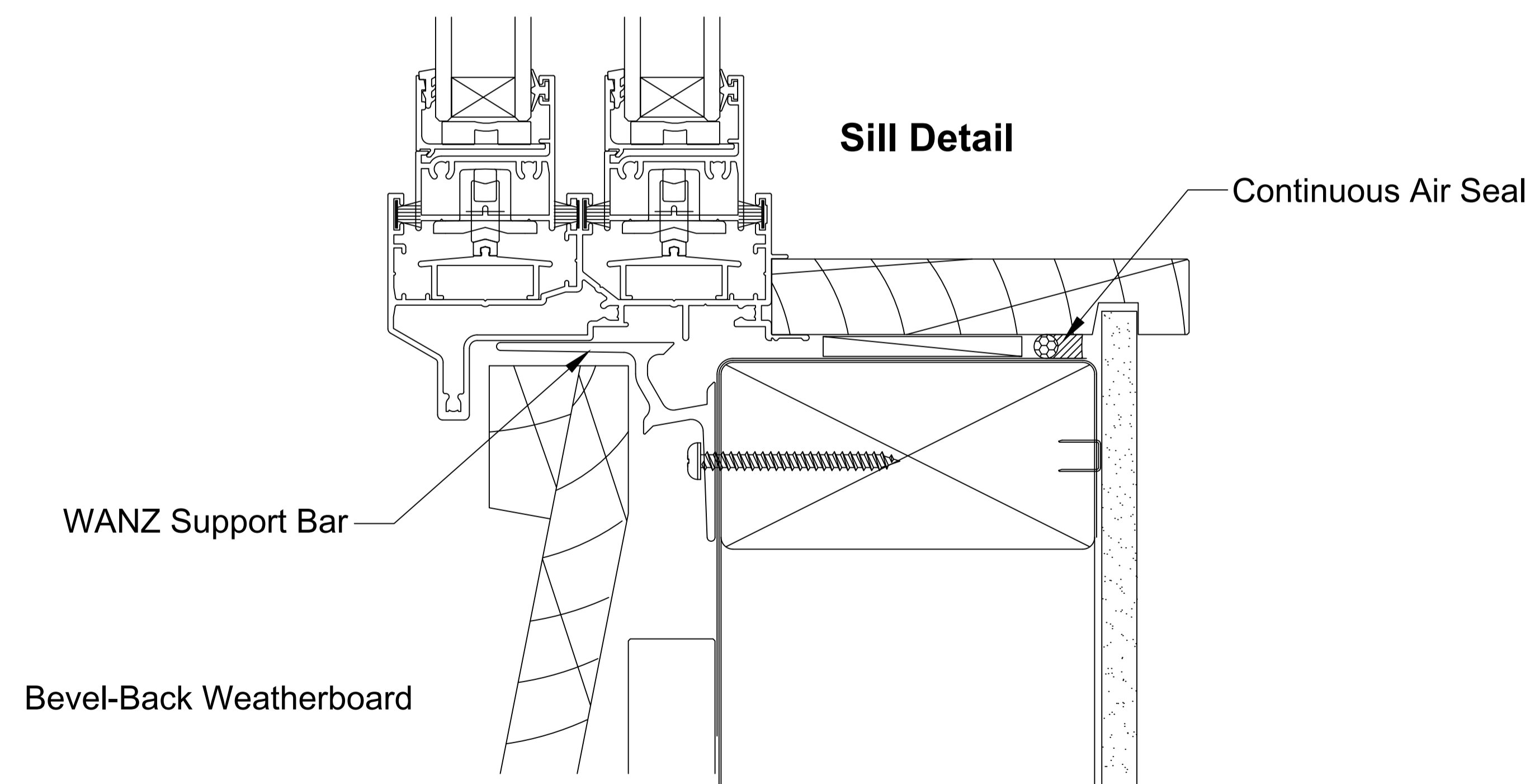
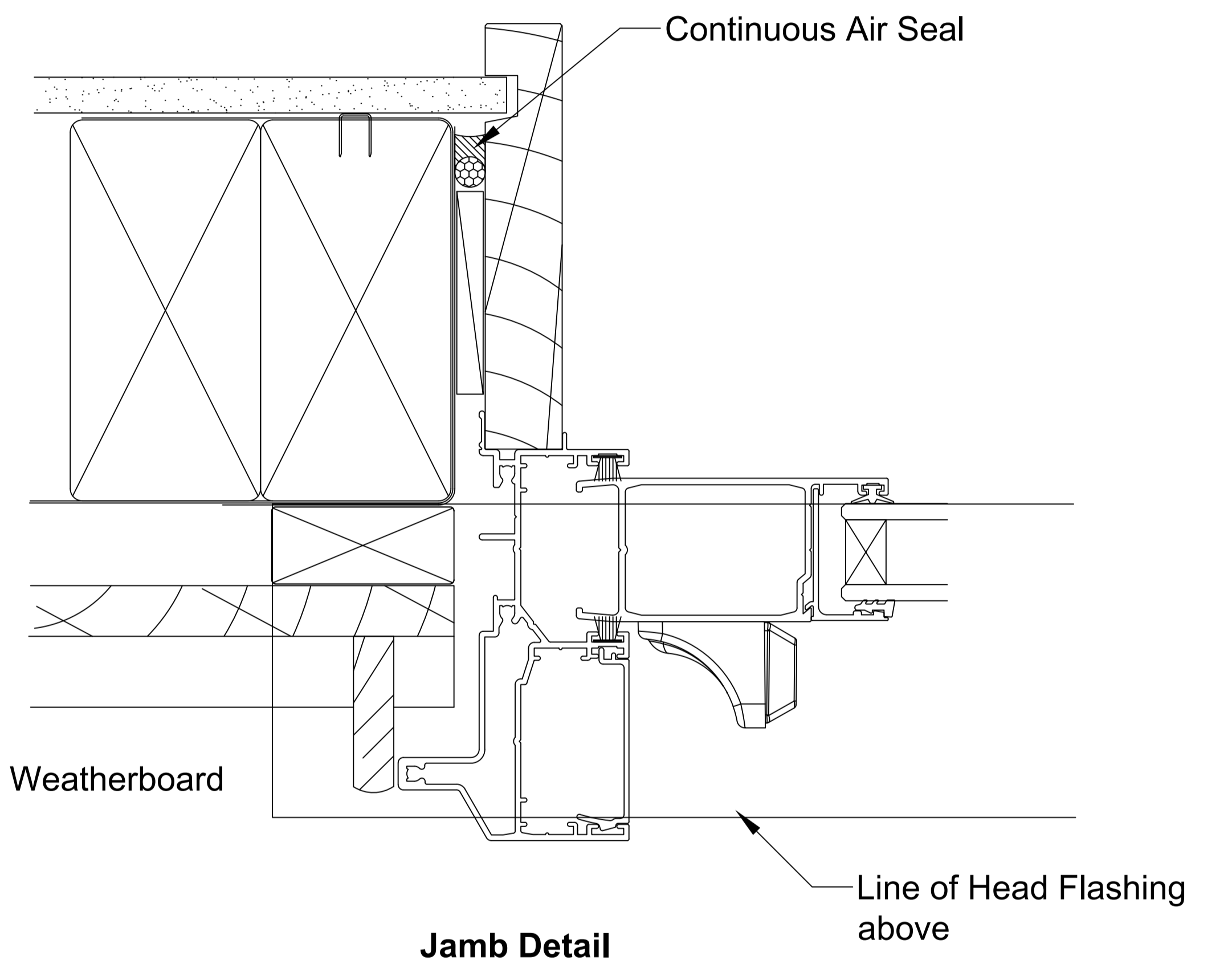
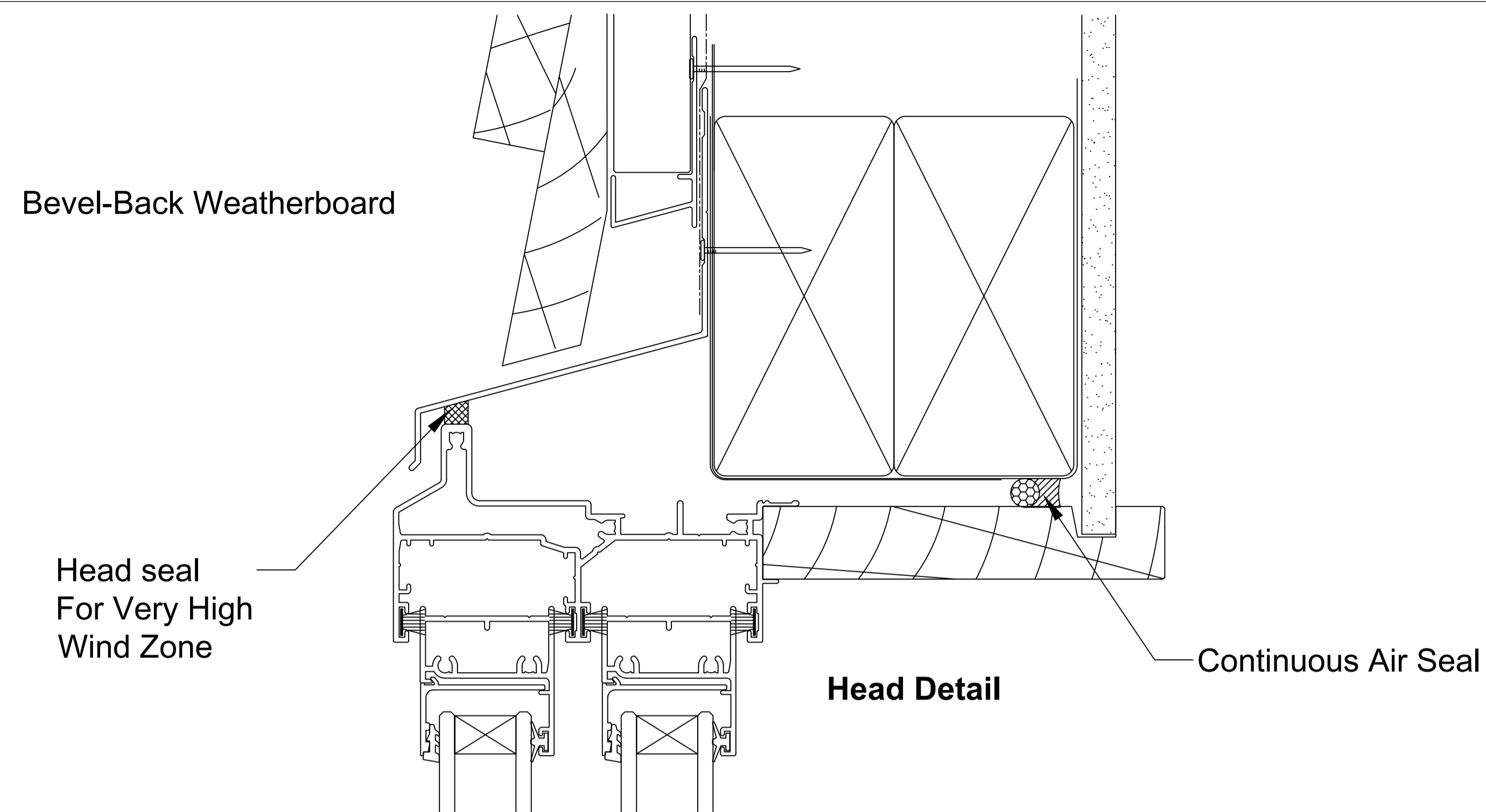
Note:

Sill support bar may be up to 100mm short of the Trim Opening at either end.

It is recommended that the bar is installed the full Width of the opening to ensure it picks up the window or door frame support blocks.



Note:
 Sill support bar may be up to 100mm short of the Trim Opening at either end.
 It is recommended that the bar is installed the full Width of the opening to ensure it picks up the window or door frame support blocks.



Note:
 Sill support bar may be up to 100mm short of the Trim Opening at either end.
 It is recommended that the bar is installed the full Width of the opening to ensure it picks up the window or door frame support blocks.