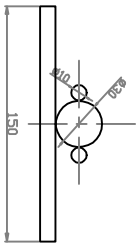
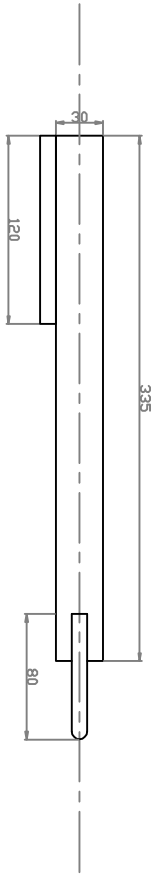


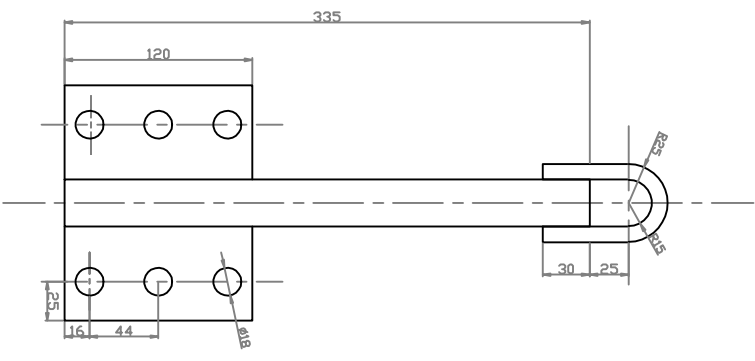
Elevation A
Scale 1:1



Elevation B
Scale 1:1



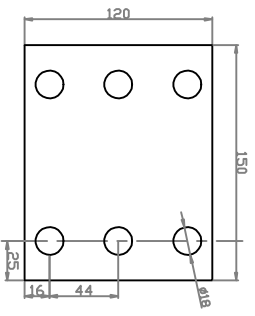
Elevation C
Scale 1:1



SE015 Single Ended Roof Anchor Plan
Scale 1:1



Rear plate Elevation
Scale 1:1



Rear plate Plan
Scale 1:1