

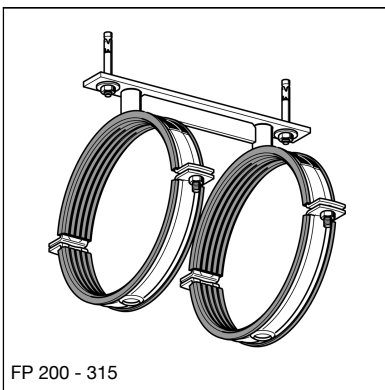
Fixed Point BE w/ Lining

Application

Soundproof fixed point construction for secure absorption of high mechanical loads resulting from Siaqua DSS-Systems, being directly fixed to concrete. Especially suitable for standards according to DIN 4109.

Scope of delivery

Pipe Clamps Stabil D-3G with lining, suitable for the sizes 40 up to 315. With Mounting Plate provided with single thread connection for sizes 40 up to 160 and double thread connection for sizes 200 up to 315, with two Bolt Screw Anchors M10.



Type	W [kg]	Quantity [pack]	Part number
FP 40 BE m.E.	0.47	1	602505
FP 50 BE m.E.	0.49	1	602515
FP 56 BE m.E.	0.50	1	602525
FP 63 BE m.E.	0.52	1	602535
FP 75 BE m.E.	0.61	1	602545
FP 90 BE m.E.	0.66	1	602555
FP 110 BE m.E.	0.72	1	602565
FP 125 BE m.E.	1.19	1	602575
FP 160 BE m.E.	1.37	1	602585
FP 200 BE m.E.	3.84	1	602815
FP 250 BE m.E.	4.31	1	602825
FP 315 BE m.E.	4.92	1	602835