

LEGGE

950 Series Deadlock

Locks & latches



The Legge 950 Series short backset deadlocks are designed for metal door applications, with two models available to suit either swing doors or sliding doors.

The 950 Series locks are designed for commercial applications such as shopping centres, hospitals and schools.

The 950 Series is suitable for swing doors, while the 951 Series with a hook design is suitable for sliding doors.

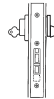
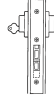
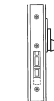
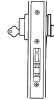
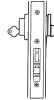
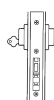
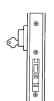
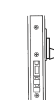
Features

- Lock case constructed of riveted steel plates with aluminium forend
- Forend supplied for both aluminium and timber doors
- Bolt constructed of laminated steel
- Standard backset 23mm
- 950 has 37mm bolt throw
- 951 has 28mm bolt throw
- 951 supplied with slam shut strike plate
- The 10 year warranty provides specifiers and users with assured quality and performance

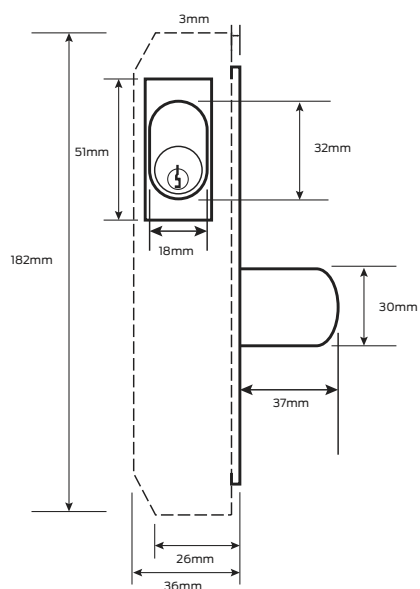
Specification guide

| Model | Function | Finish |
|------------------------|--|------------------------------|
| Swing door 950 | Cylinder and case fixed turn snib -1 | Satin chrome plate SCP |
| Sliding door 951 | Double cylinder -3 | |
| | Single cylinder -5 | |
| | Case fixed turn snib -7 | |

1. Model
Select the desired model e.g. Swinging door deadlock 950L
2. Function
Select the desired function e.g. Double cylinder 950L-1
3. Finish
Select the desired finish e.g. Satin chrome plate 950L-1SCP

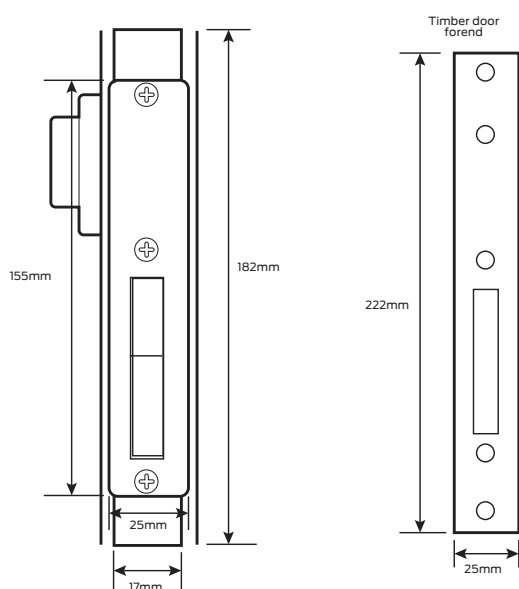
| Model | Outside | Inside |
|--|---|---|
| 950L-1 - Swing door Cylinder and case fixed turn snib |  |  |
| 950L-3 - Swing door Double cylinder |  |  |
| 950L-5 - Swing door Single cylinder |  |  |
| 950L-7 - Swing door Case fixed turn snib - less cylinder |  |  |
| 951L-1 - Sliding door Cylinder and case fixed turn snib |  |  |
| 951L-3 - Sliding door Double cylinder |  |  |
| 951L-5 - Sliding door Single cylinder |  |  |
| 951L-7 - Sliding door Case fixed turn snib - less cylinder |  |  |

Legge 950 Series short backset deadlock

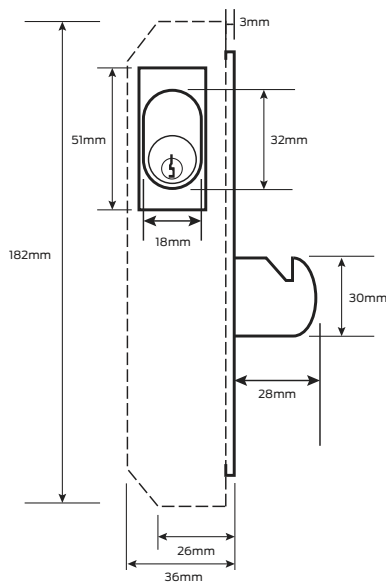


Specifications

| | |
|--------------------------|---|
| Door type | Timber or metal |
| Door thickness | 32mm to 50mm |
| Lock case/chassis | Plated steel riveted |
| Outer forend | Aluminium |
| Bolt | Laminated steel 37mm throw |
| Backsets | 23mm |
| Key cylinder | Oval - C4 6 pin keyway standard Schlage C6 and E6 optional Schlage Everest D optional |
| Finish | Satin chrome plate |
| Warranty | 10 year mechanical |



Legge 951 Series short backset deadlock



Specifications

| | |
|--------------------------|---|
| Door type | Timber or metal |
| Door thickness | 32mm to 50mm |
| Lock case/chassis | Plated steel riveted |
| Outer forend | Aluminium |
| Bolt | Laminated steel 28mm throw |
| Strike plate | Plated steel box with aluminium face plate |
| Backsets | 23mm |
| Key cylinder | Oval - C4 6 pin keyway standard Schlage C6 and E6 optional Schlage Everest D optional |
| Finish | Satin chrome plate |
| Warranty | 10 year mechanical |

