

Specifications

Code compliance

ICC (International Code Council) AC273

IBC (International Building Code)

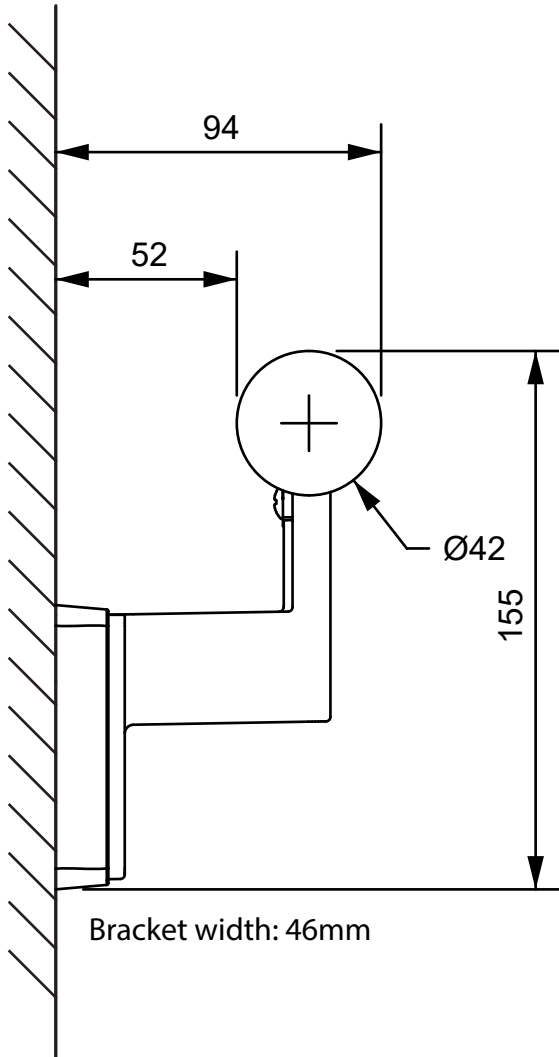
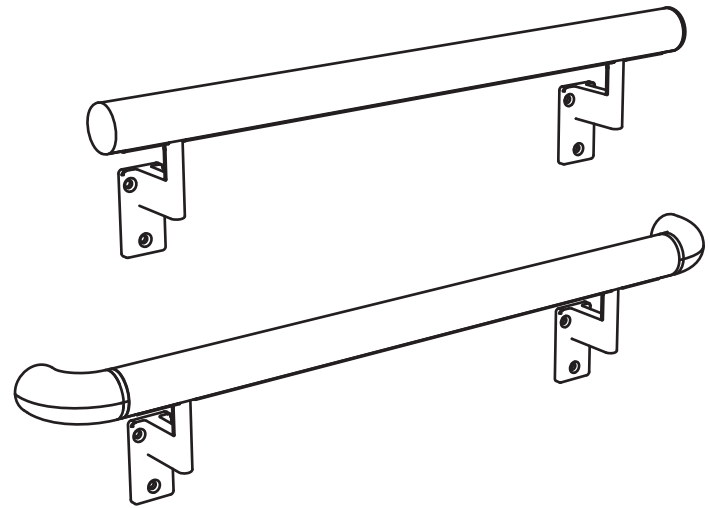
IRC (International Residential Code)

ADA (Americans with Disabilities Act)

Load bearing per ICC AC273

Uniform load: 227 kg

Concentrated load: 227 kg



Railing

Extruded aluminium, rib reinforced

Diameter: 40mm

Nominal wall thickness: 2mm

Finish: Anodized, 18 microns or veneer-wrapped with real wood, 0.4mm

Brackets

Die cast zinc with rounded corners and triple-plated matte nickel finish or hand-rubbed antique brass finish. Pivoting stainless-steel head for horizontal or angled railing installation.

Endcaps

Die cast zinc with rounded corners and triple-plated matte nickel finish or hand-rubbed antique brass finish. Flush-fit or 90-degree ADA wall return.

Vinyl insert

Flexible PVC

Anti-slip and anti-bacterial.

Colour-matched to handrail.