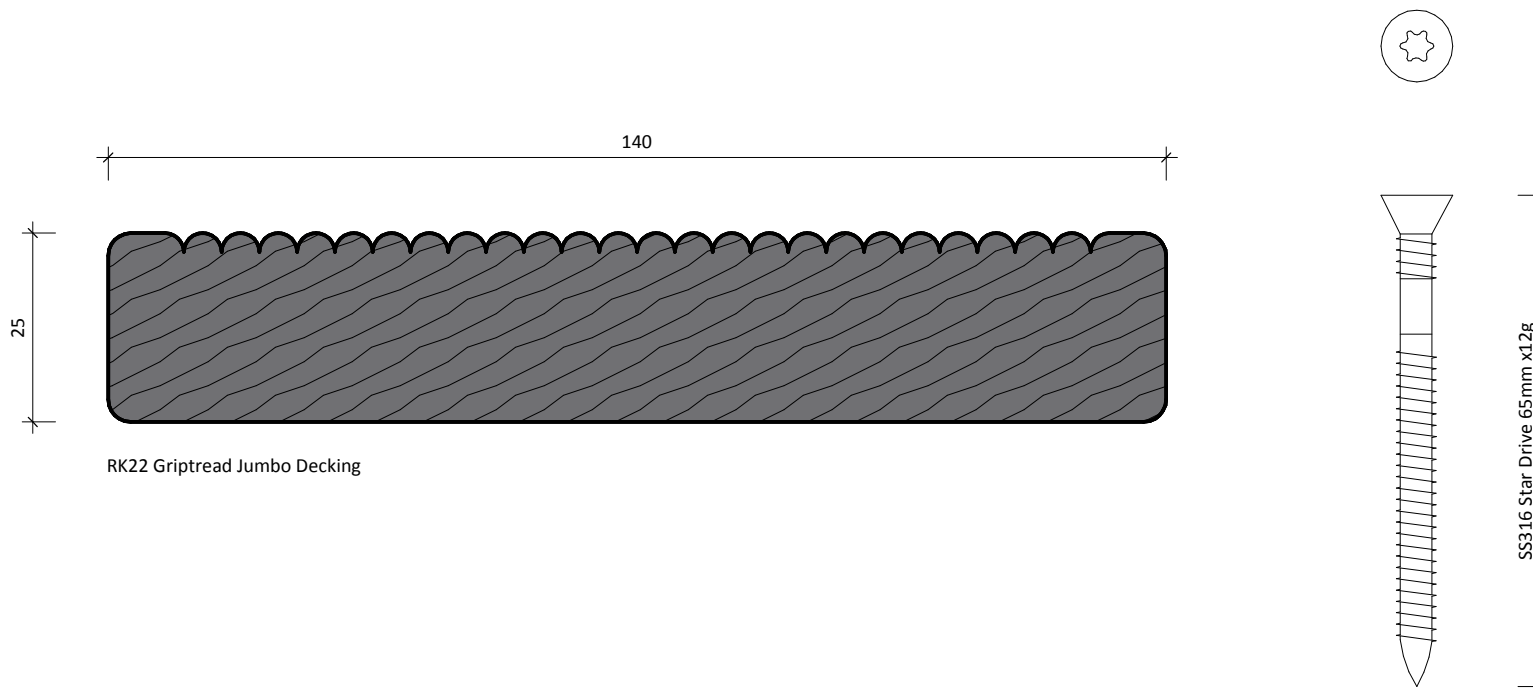


140mm hardwood decking notes:

1. 140mm wide hardwood decking
2. Minimum 6mm gap depending on degree of ventilation
3. Double fix at a maximum of 450mm centres, 15mm in from each edge at each fixing point
4. Pre-drill prior to screw fixing using SS316 12gx65mm Star drive RK decking screws
5. For adequate ventilation allow a minimum of 450mm clearance from ground level
6. Apply optional coat x 4 faces of FactoryOil prior to delivery
7. Framing to NZS 3604 and durability of decking material to NZS 3602



RK22 Griptread Jumbo Decking



[www.rosenfeldkidson.co.nz](http://www.rosenfeldkidson.co.nz)

Auckland Branch:  
513 Mt Wellington Highway  
Mt Wellington, Auckland 1060  
T. +64 9 573 0503  
F. +64 9 573 0504

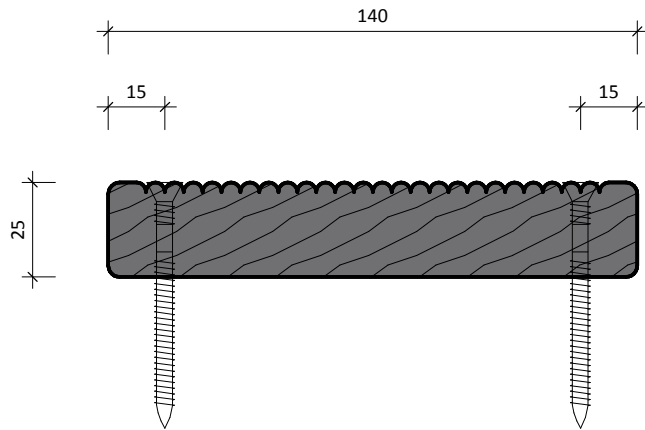
Christchurch Branch:  
15 Edmonton Road, Hornby  
Christchurch 8042  
T. +64 3 349 3316  
F. +64 3 349 3317

Postal address: PO Box 621, Shortland Street, Auckland 1140

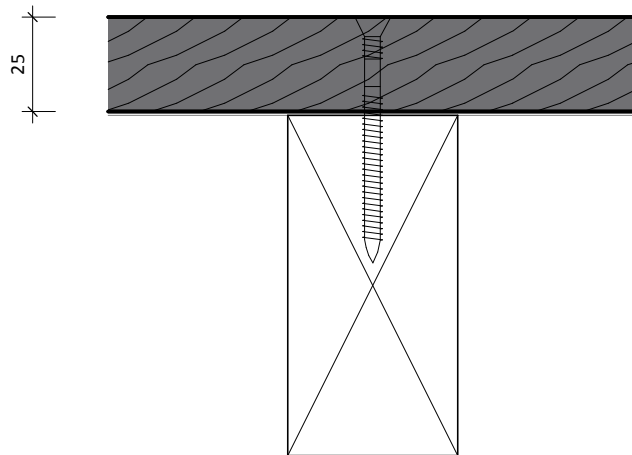
Title **Griptread Jumbo Decking**

Drawing **RK22**

Scale 1 : 1 @ A4 Date 30.10.2013



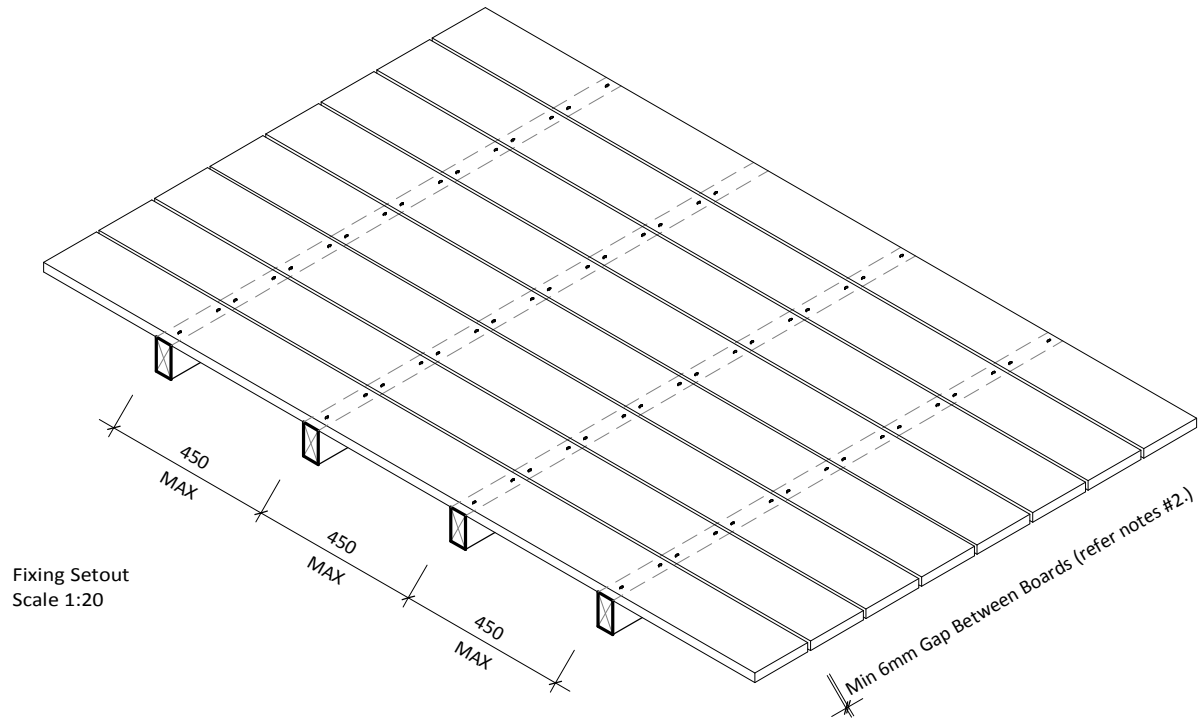
RK22 Griptread Jumbo Decking



RK22 Griptread Jumbo Decking Section

140mm hardwood decking notes:

1. 140mm wide hardwood decking
2. Minimum 6mm gap depending on degree of ventilation
3. Double fix at a maximum of 450mm centres, 15mm in from each edge at each fixing point
4. Pre-drill prior to screw fixing using SS316 12gx65mm Star drive RK decking screws
5. For adequate ventilation allow a minimum of 450mm clearance from ground level
6. Apply optional coat x 4 faces of FactoryOil prior to delivery
7. Framing to NZS 3604 and durability of decking material to NZS 3602



Fixing Setout  
Scale 1:20



[www.rosenfeldkidson.co.nz](http://www.rosenfeldkidson.co.nz)

Auckland Branch:  
513 Mt Wellington Highway  
Mt Wellington, Auckland 1060  
T. +64 9 573 0503  
F. +64 9 573 0504

Christchurch Branch:  
15 Edmonton Road, Hornby  
Christchurch 8042  
T. +64 3 349 3316  
F. +64 3 349 3317

Postal address: PO Box 621, Shortland Street, Auckland 1140

Title **Griptread Jumbo Decking**

Drawing **RK22 SETOUT**

Scale As indicated @ Date 30.10.2013  
A4