

MANROSE

HEAT 'n VENT 4
MODEL NO. FAN0995

Dear customer,

Thank you for selecting MANROSE. Please read all instructions before commencing installation.

WARNING: ALL WIRING MUST BE CARRIED OUT BY A REGISTERED ELECTRICIAN

1. Use this HEAT 'n VENT 4 unit only as described in this manual. Any other use not recommended by the manufacturer may cause fire, electric shock, or injury to persons. If you have questions, contact the manufacturer or local agent.
2. All wiring must be carried out by a Licensed Electrician in accordance with all applicable codes and standards.
3. Make sure the power is off before the installation.
4. When cutting into the ceiling, do not damage electrical wiring and other hidden utilities.
5. The HEAT 'n VENT 4 unit must be properly earthed.
6. The lamps are hot when in use. Do not touch the infrared lamps when in use.
7. For the purpose of avoiding any dangerous gas leaking into your bathroom, the ducting of the HEAT 'n VENT 4 unit must not be shared with the ducting of air-fueled water heaters or other open-fire appliances in the same flue.
8. The disconnection may be achieved by having the plug accessible or by incorporating a switch in the fixed wiring in accordance with the wiring rules. The HEAT 'n VENT 4 unit must be isolated from the power by means of a plug or a switch capable of disconnecting all poles with a contact separation of at least 3mm in each pole.
9. The power cable must be rated for a minimum 10A inductive load.
10. The appliance is not intended for use by persons (including children) with reduced physical, sensory or mental capabilities, or lack of experience and knowledge, unless they have been given supervision or instruction concerning use of the appliance by a person responsible for their safety.
11. Children should be supervised to ensure that they do not play with the appliance.

IMPORTANT CONSIDERATIONS BEFORE INSTALLING

A few minutes of planning can make a big difference to the installation time and ultimate satisfaction of the unit. Please be aware of the following caution notes:

1. This Heat Fan Light Unit must be installed in accordance with the latest electrical safety regulations, including the guidelines for the relevant Insulation Classifications listed, and also in accordance with these instructions.
2. This Heat Fan Light Unit must not be covered with insulation, but it may closely abut the sides of the Heat Fan Light Unit.
3. Do not install through beams, rafters, joists or ceiling battens. Do not install closer than 40mm from building paper or any other combustible material.
4. Ensure the material thickness of the mounting surface is at least 3mm, and does not exceed 20mm.
5. This Heat Fan Light unit must be wired directly to the mains.
6. The unit should not be installed directly above a shower or bathtub. The unit must not be installed in a position where water may splash onto the lamps.
7. The unit must not be installed beneath a fixed electrical socket.
8. The unit is designed for installation in flat ceilings only. Do not mount it on a sloping ceiling or a vertical wall.
9. The infrared lamps are most effective when you are standing directly beneath them, so generally the unit would be mounted above a place where you would stand to dry yourself.
10. For the exhaust fan to work efficiently, replacement air of a volume equivalent to what is being extracted must be able to enter the room. Generally this air would be drawn under the door. If the room is airtight, the fan will not extract air efficiently.
11. Before commencing any cutting, check in the ceiling space that there are no obstructions such as ceiling joists and that there is sufficient height clearance for the housing. Check that the electrical wiring can be routed from the wall switches to the mounting location.

INSTALLATION

1. Locating the HEAT 'n VENT 4 unit

For the purpose of obtaining the best heating effect from the lamps there should be at least 2.3m overall height from unit to ground.

2. Prepare the ceiling

Select the mounting position for the unit. Check that it is possible to route the ducting from the unit to the outside of the house. This will generally be to the soffit but can be to a wall outlet location.

Use this hole-cutting template to mark the hole on the ceiling. Make sure a distance between the edges of the unit and wall is no less than 250mm. There should be a minimum 220mm vertical distance between the ceiling and roof.

3. External Grill

Locate the position for the external grill and cut a 125mm diameter hole. Connect one end of the 120mm diameter duct to the spigot of the external grill.

Note: Since the length of each duct is 3.0m, make sure the centre of the installation hole is no more than 3m from the vent. Note: In order to get an effective ventilation, it is suggested that the duct is no more than 3.0m in length.

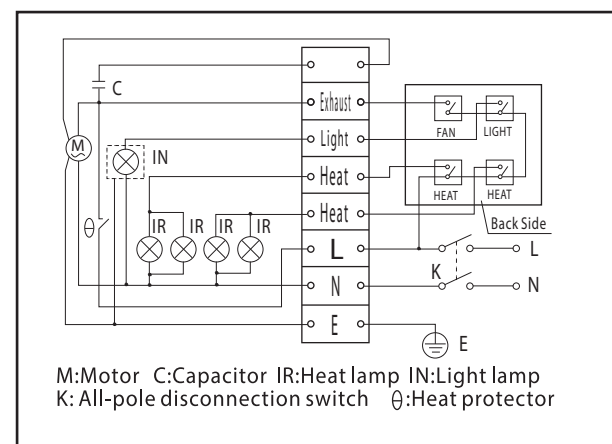
4. Remove the fascia

Remove all lamps from the HEAT 'n VENT 4. Unclip the internal fascia-retaining springs inside the housing. Remove the fascia. Note: Do not use excessive force when removing the heat lamps.

5. Wiring

Connect one end of the interconnecting wire to the wall switch, and bring the other end of the hole in the ceiling. Open the terminal block cover on the unit's housing, make the connection as per the wiring diagram instruction below, then reposition the terminal block cover. Press excess wire back into the ceiling.

Note: Ensure that the power is turned off before carrying out any work on electrical installations.



6. Fit the tie-in into the fan outlet in the housing with Ø100 mm duct clip. Fit the in-house end of the duct to the tie-in, and fix the end with Ø120mm duct clip.

Note: Keep the route as straight as possible.

7. Position the housing into the hole

Choose an optimal direction to put the housing into the hole in accordance with the position of fan outlet. Use the two spring clips to fix the housing. Ensure that the unit is held securely by the clips. Note: Try to keep the redundant wire away from the housing.

8. Final Installation

- 1) Replace the Fascia - Replace the fascia and retaining springs.
- 2) Replace the Lamps - Ensure the lamps are tightened sufficiently to make good electrical contact. Clean the lamps and fascia.
- 3) Fix the Switch Panel to the Wall - Fit the switch panel onto the wall, ensuring that in this position it is not subjected to splashed water.

INSTALLATION INSTRUCTIONS AND HOLE-CUTTING TEMPLATE

Note: The switch wiring should be routed inside the wall. If it is necessary to run the wiring on the outside of the wall, use a suitable conduit and fixings to properly locate and hold the wiring used.

USE

Our HEAT 'n VENT 4 unit uses the infrared heating lamps as a source of heat. It also combines the functions of exhaust and light.

1. Heat 'HEAT' button On/Off

This model is supplied with two groups of infrared heat lamps. You can switch them on in banks of two for an optimal heating effect. Each individual infrared lamp has been sprayed with 4°C cold water to ensure that there are no flaws in the construction. Note: Do not touch the infrared lamps when in use.

2. Exhaust 'FAN' button On/Off

This unit can exhaust odours and steam in a quick and efficient way by turning on the "FAN" button.

3. Lighting 'LIGHT' button On/Off

Note: Do not switch on/off frequently when in use. Shut off the power if in long vacancy.

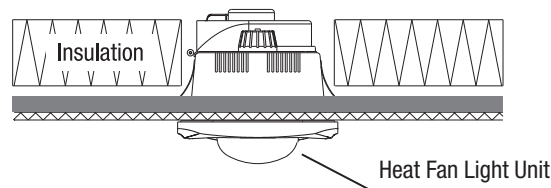
Risk of Fire

Building Insulation must not cover this Heat Fan Light Unit.

MIC = 100mm SCB = 100mm HCB = 50mm

All Heat/Fan/Light units may pose a risk of fire or damage to your property if not installed or maintained correctly.

Building insulation abutting or within 100mm horizontally of the Heat Fan Light Unit must meet the following requirements;



- Be of a type that can maintain its dimensions and structural integrity when exposed to the maximum surface temperatures of the Heat Fan Light Unit, being 150°C. Refer Specifications above for Insulation classification of the model you have purchased.
- Be of a type able to withstand a 30 second needle flame test carried out in accordance with AS/NZS 60695.11.5 with the flame applied to all surfaces of the test sample.
- Loose fill insulation as defined in NZS4246 is not permitted to abut or cover this Heat Fan Light Unit or be used anywhere near this Heat Fan Light Unit.

MAINTENANCE

1. Clean

- Shut off the power before cleaning.
- Wipe lamps and fascia with care using a soft cloth soaked with a neutral detergent.

Note: Ensure the lamps are cool to touch before handling.

2. Lamp Replacement

- Check and tighten lamps regularly.
- Shut off power before replacement.
- Use a GU10 50W light lamp for lighting.
- Use ES27 275W infrared lamps for heating.

Note: It may affect operation (even cause danger) if lamps other than the designated ones are used.

MAIN TECHNICAL PARAMETERS

Model Number	FAN0995
Rated Voltage	230V-240V
Rated Frequency	50Hz
Rated Power	1080W-1180W

LIST OF ACCESSORIES

Operation unit	1 piece
Infrared lamp (ES27)	4 pieces
Light lamp (GU10)	1 piece
Installation instruction & hole-cutting template	1 piece
Aluminium Ducting(3 meters, Ø120mm)	1 piece
Grill(Ø 120mm)	1 piece
Duct clip(Ø 120mm)	2 pieces
Duct clip(Ø 100mm)	1 piece
Switch	1 piece
tie-in(Ø100mm- Ø120mm)	1 piece

WARRANTY – 5 YEARS – INFRARED LAMP 2 YEARS

The main unit and fan motor is warranted against factory fault for a period of 5 years and the original supplied MANROSE Infrared lamps 2 Years. Labor costs are not covered. Please keep and bring the original invoice to your place of purchase for warranty services.

This warranty does not cover damage or loss caused by:

- Light lamp or failure of Light lamp.
- Any consequential losses arising from incorrect installation or operation or maintenance of this product.
- Any consequential losses arising from incorrect wiring of this product.
- Any consequential losses arising from repairing of any part of this product by unauthorized persons.

Fill out the following details and file with the purchase invoice for warranty service.

MANROSE HEAT 'n VENT 4

MODEL NO. FAN0995

Purchased from: _____

Date of purchase: _____

We reserve the rights to revise this instruction without any prior notice.