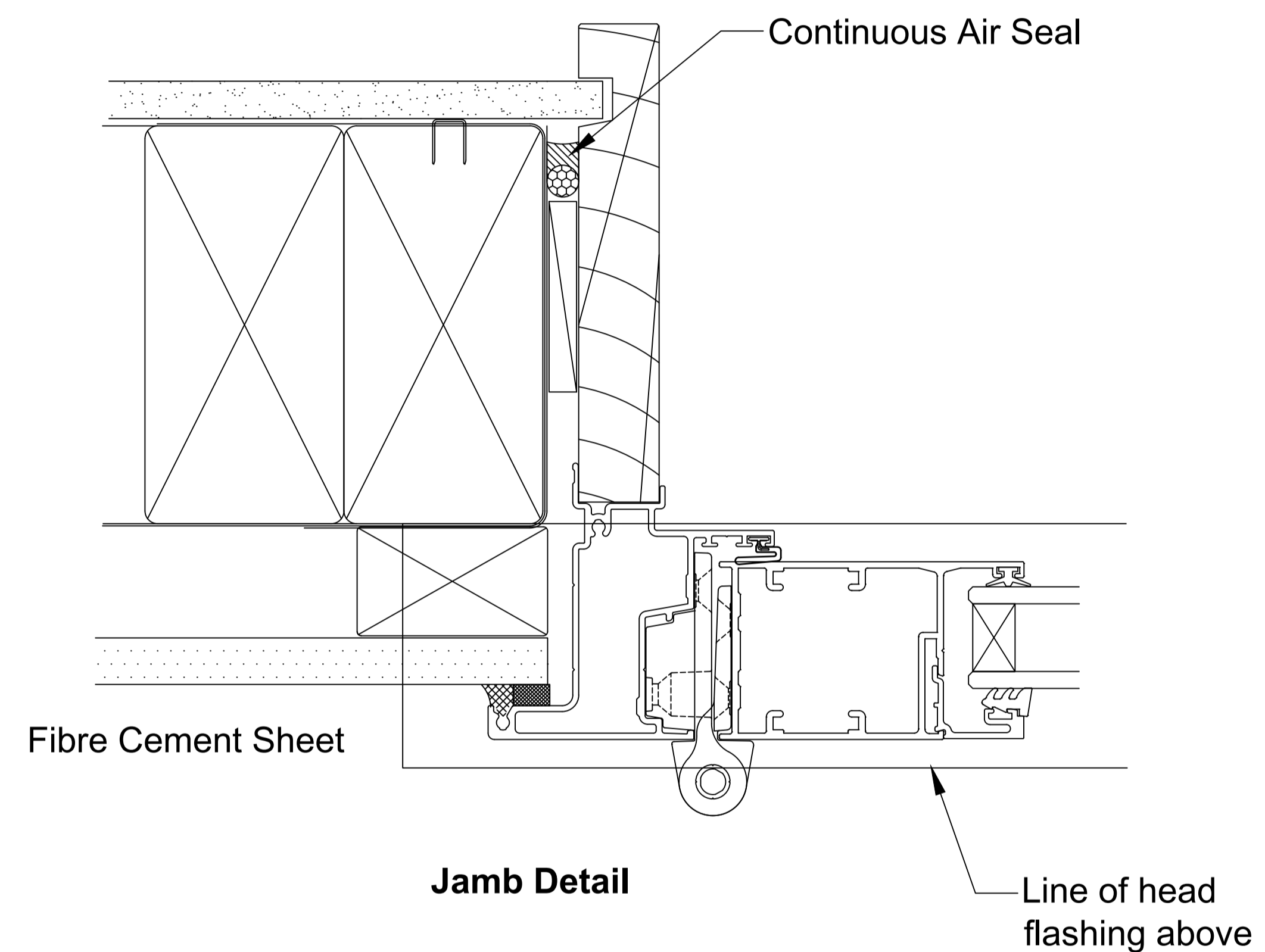
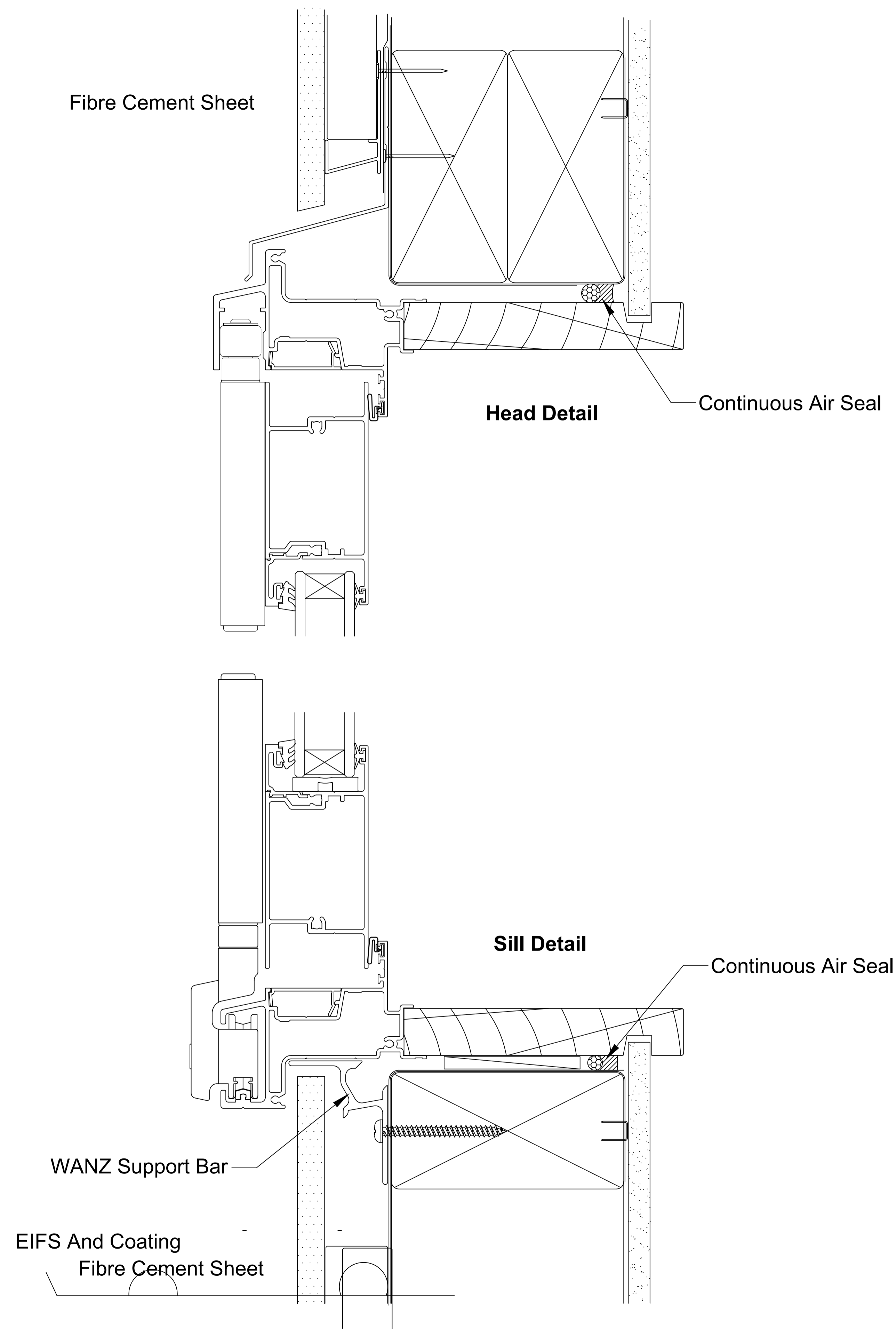
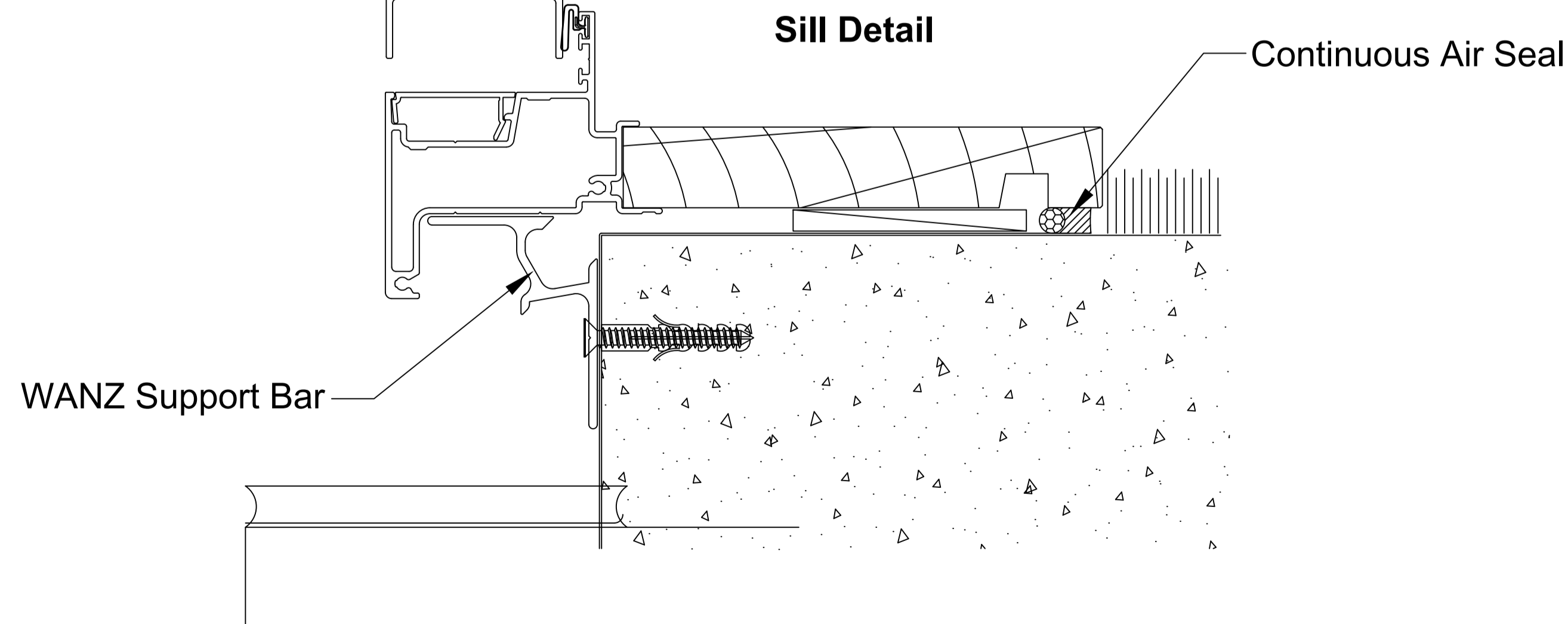
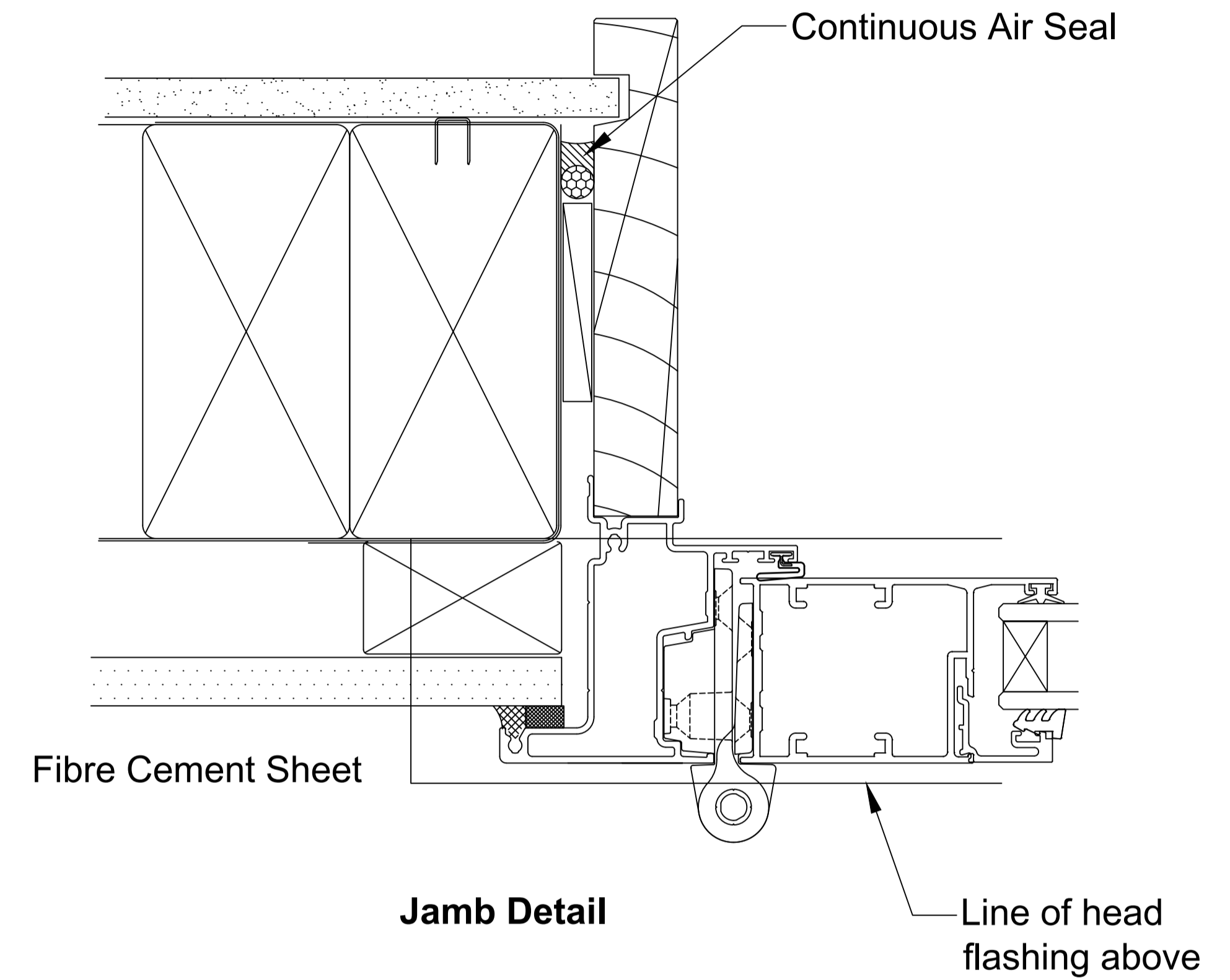
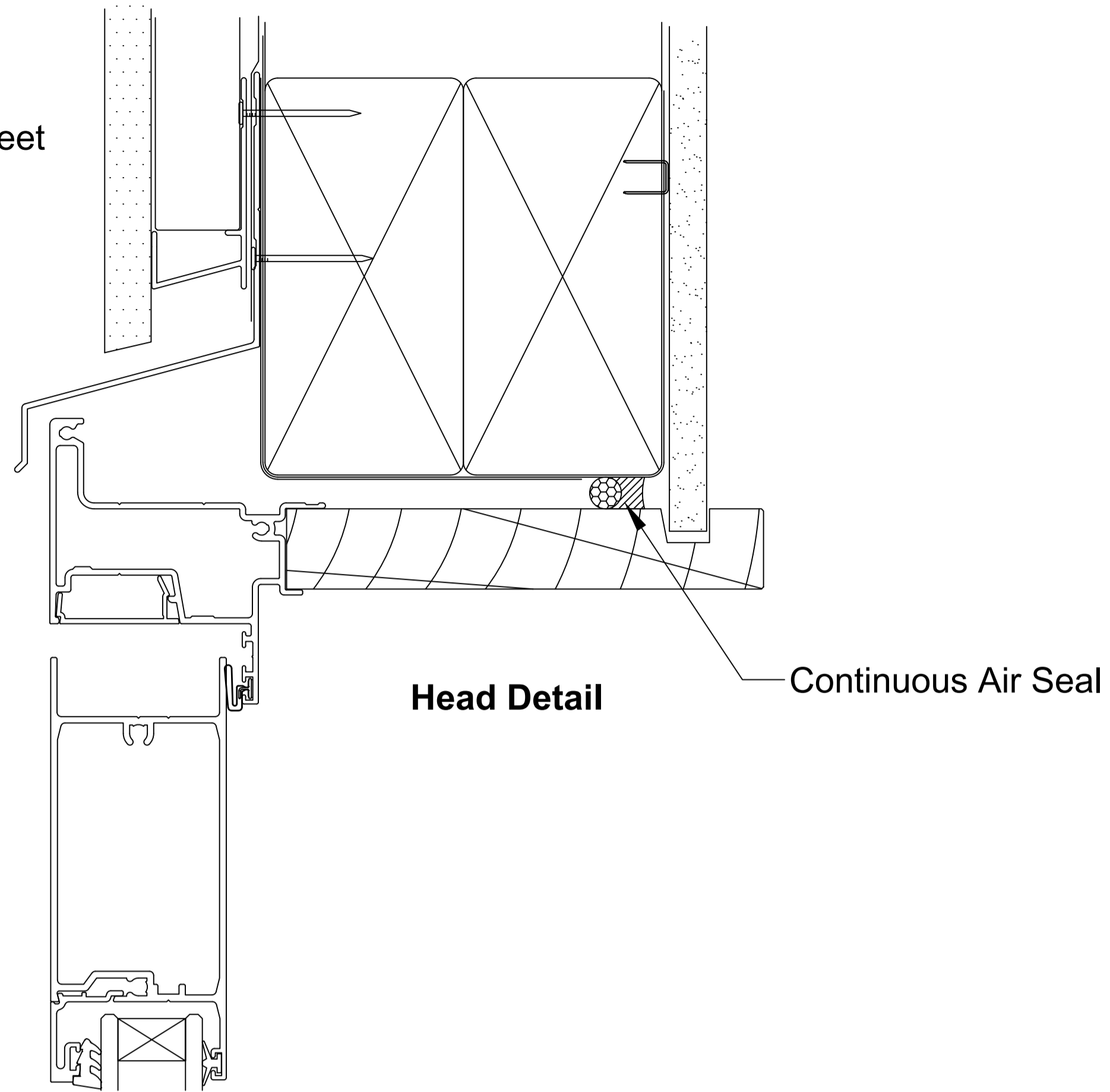


Note:
 Sill support bar may be up to 100mm short of the Trim Opening at either end.
 It is recommended that the bar is installed the full Width of the opening to ensure it picks up the window or door frame support blocks.



Note:
 Sill support bar may be up to 100mm short of the Trim Opening at either end.
 It is recommended that the bar is installed the full Width of the opening to ensure it picks up the window or door frame support blocks.

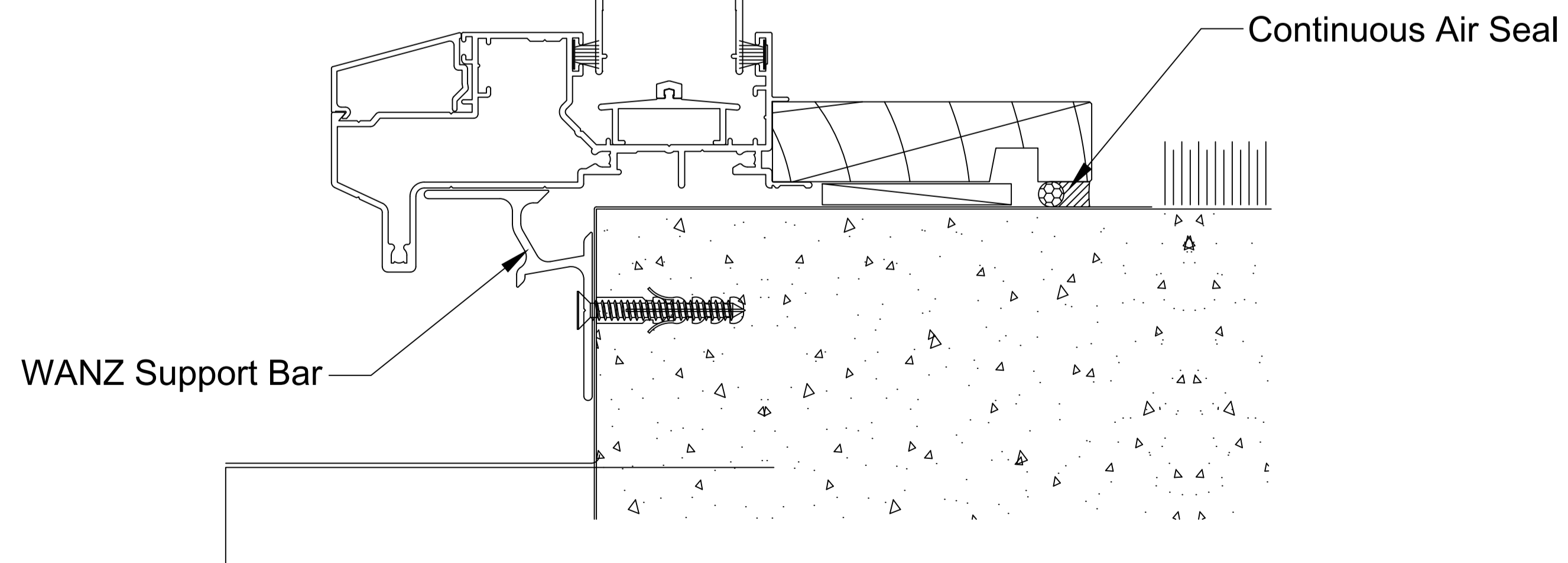
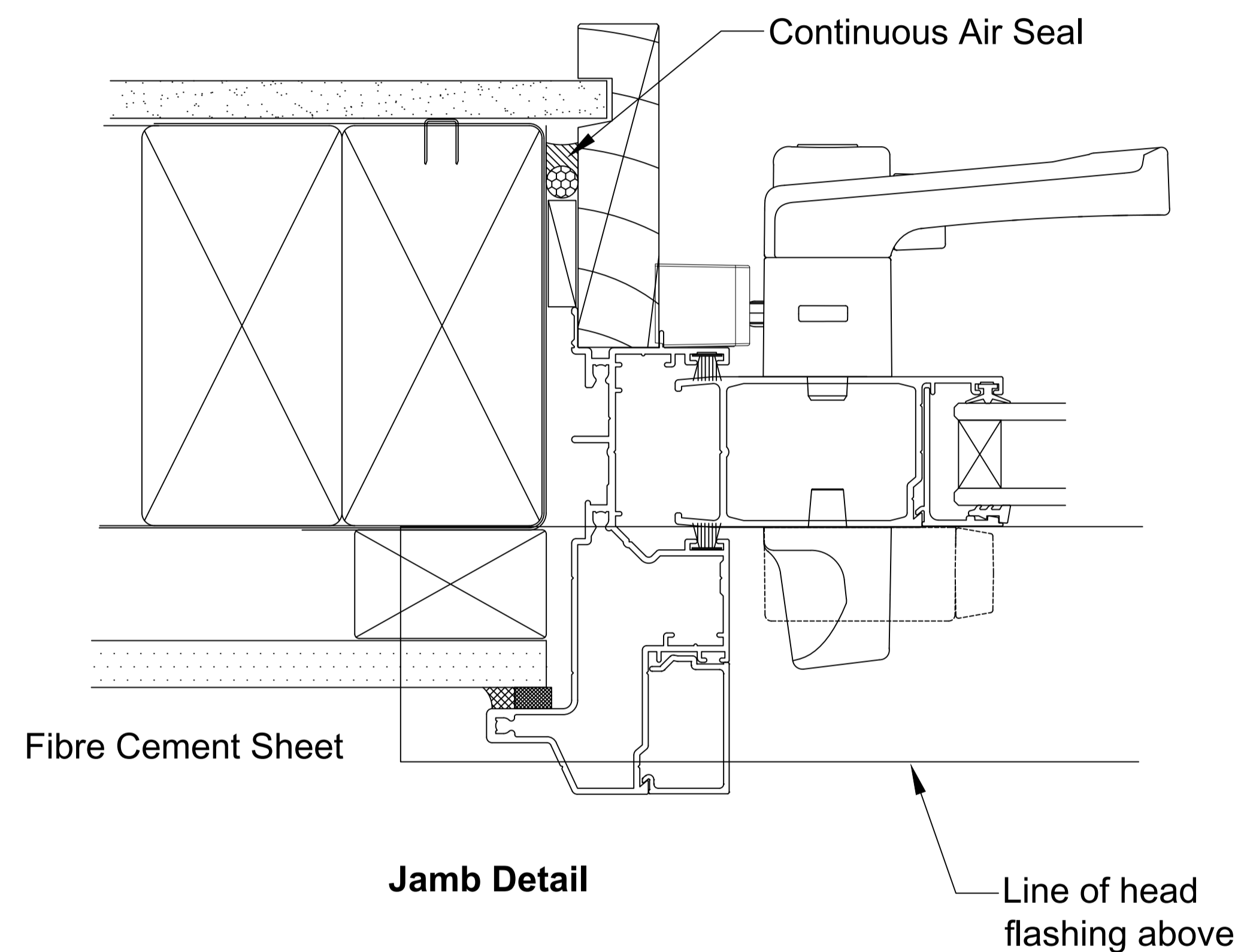
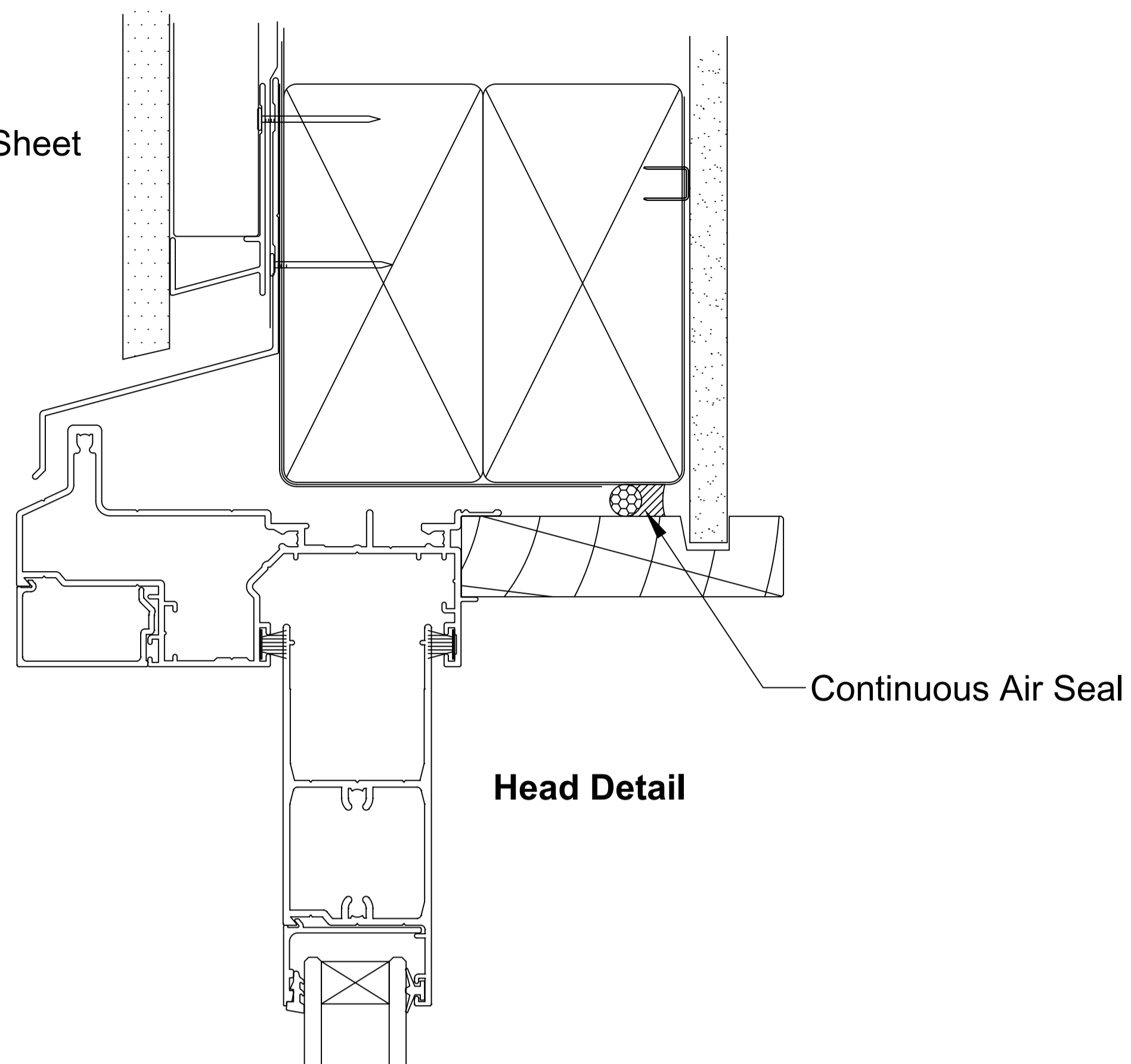
Fibre Cement Sheet



Note:

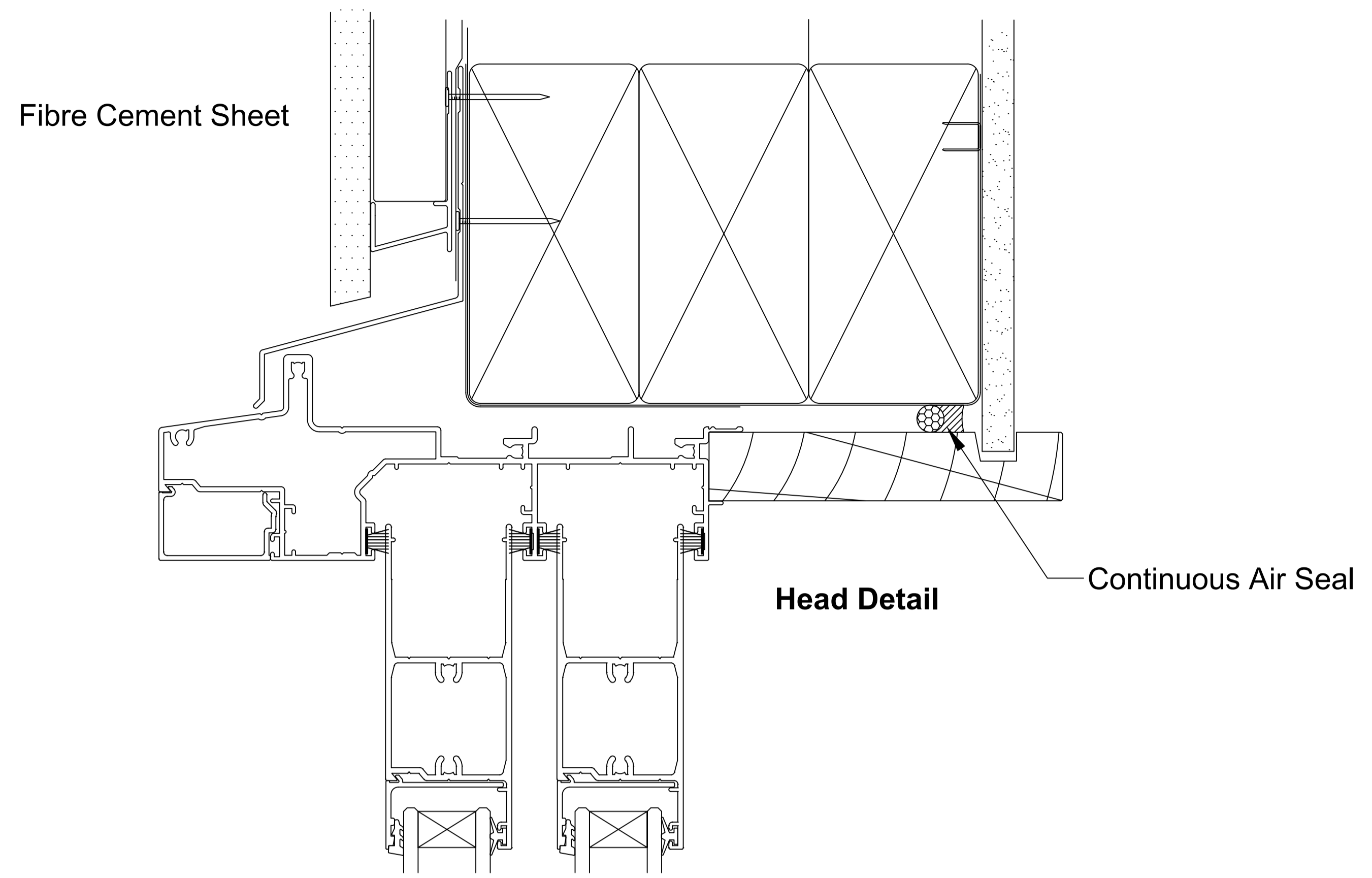
Sill support bar may be up to 100mm short of the Trim Opening at either end. It is recommended that the bar is installed the full Width of the opening to ensure it picks up the window or door frame support blocks.

Fibre Cement Sheet



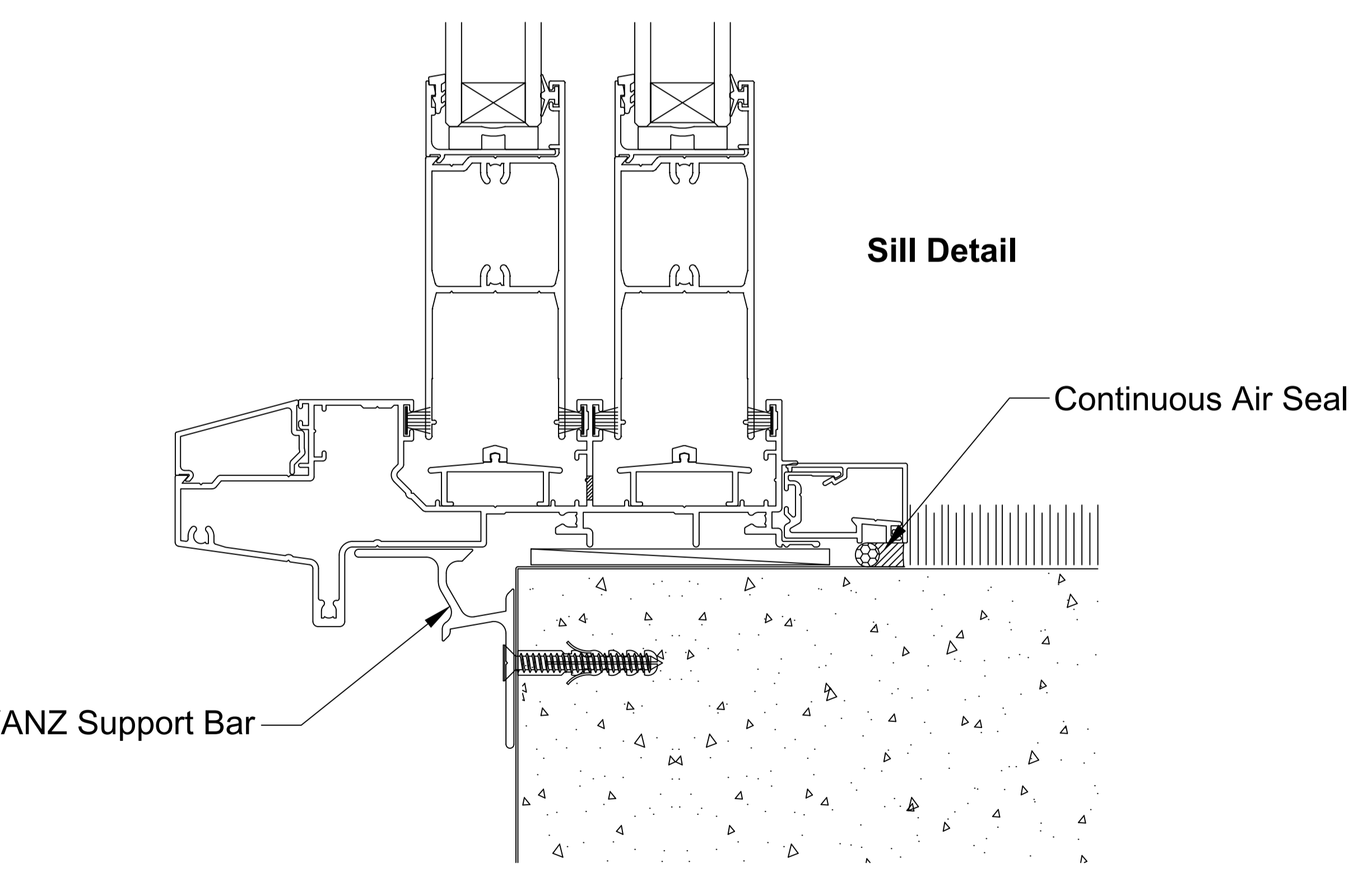
Note:

Sill support bar may be up to 100mm short of the Trim Opening at either end. It is recommended that the bar is installed the full Width of the opening to ensure it picks up the window or door frame support blocks.



Head Detail

Continuous Air Seal

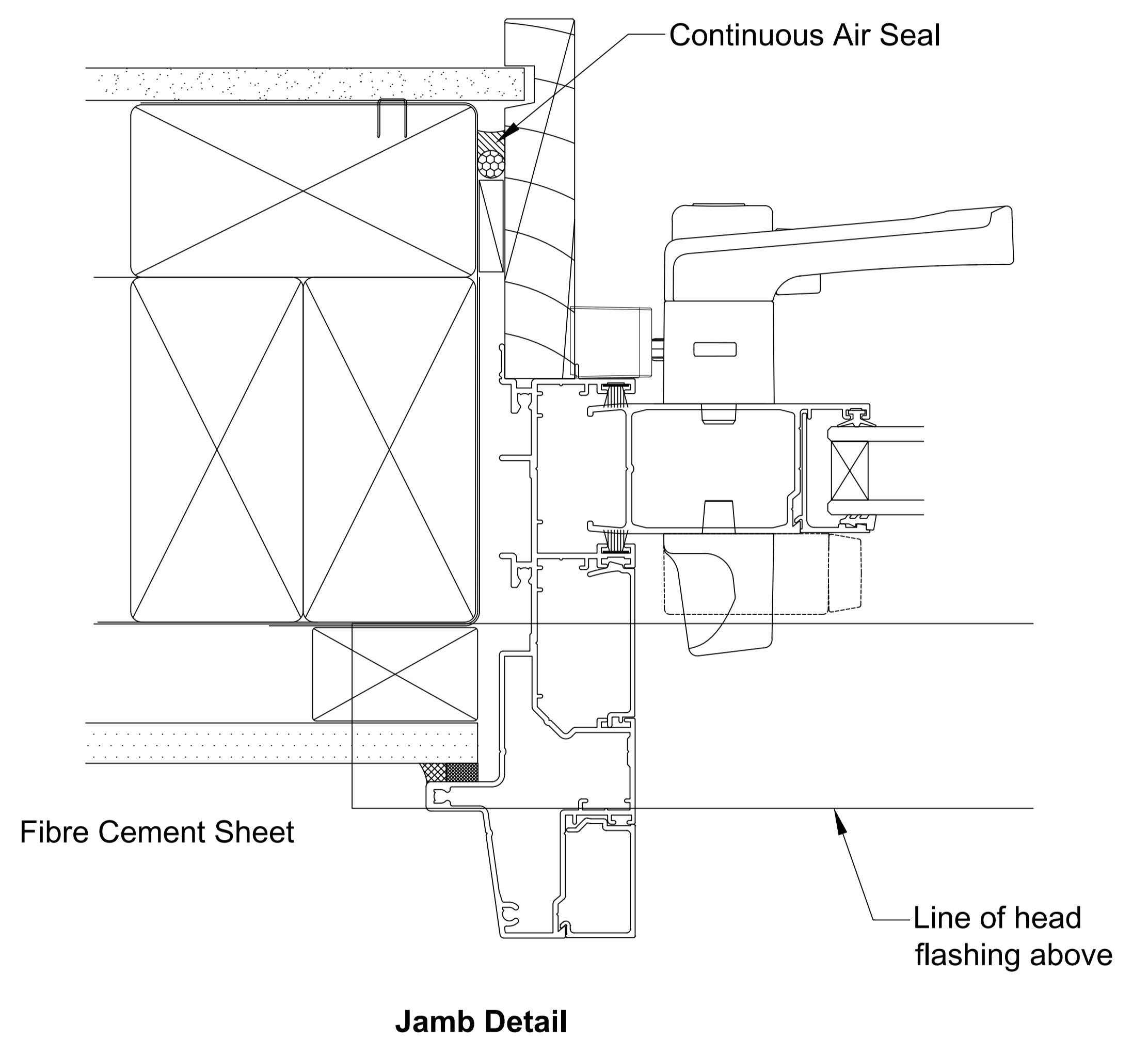


Sill Detail

Continuous Air Seal

Wanz Support Bar

Approved Waterproofing System



Jamb Detail

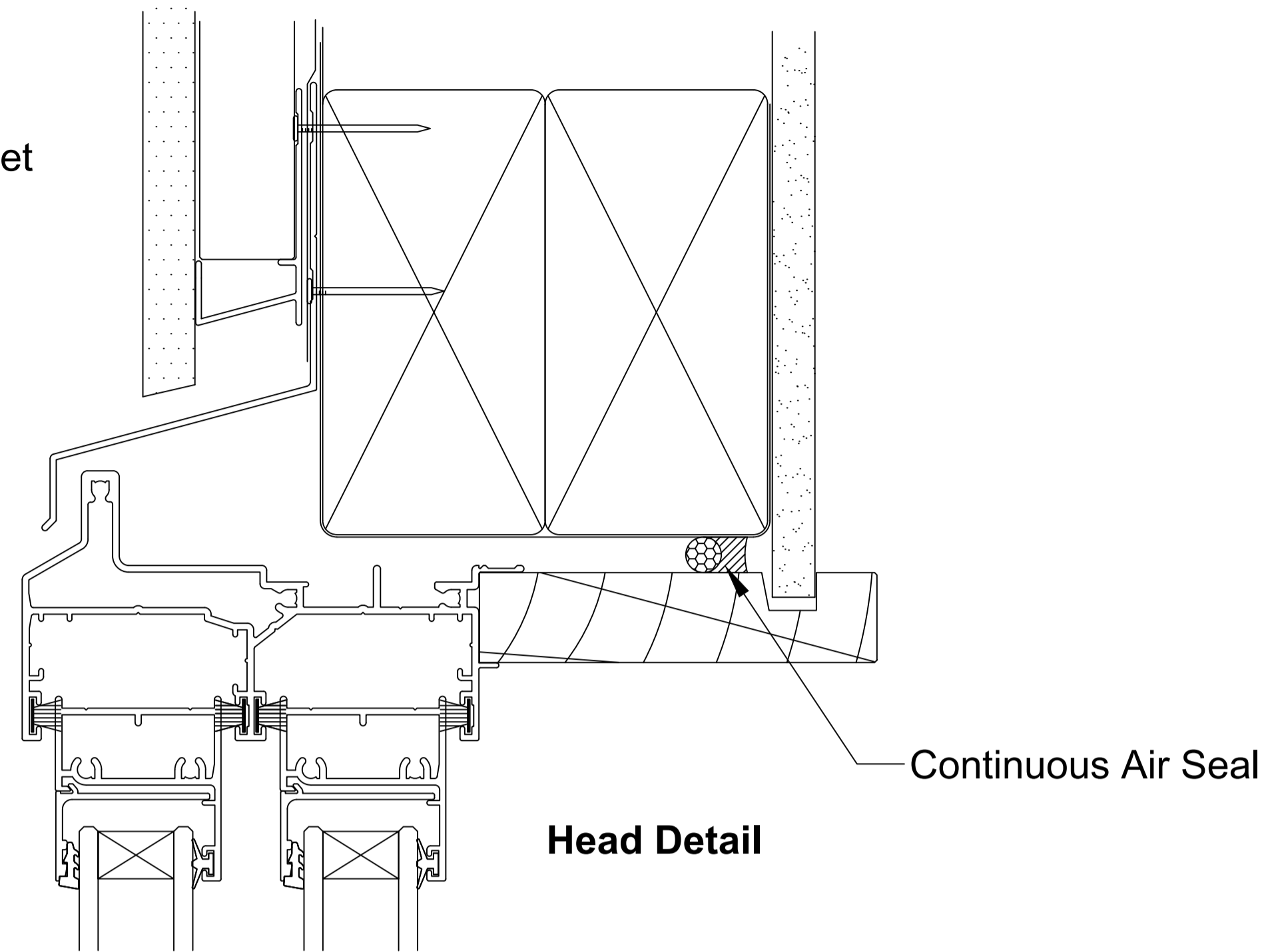
Continuous Air Seal

Fibre Cement Sheet

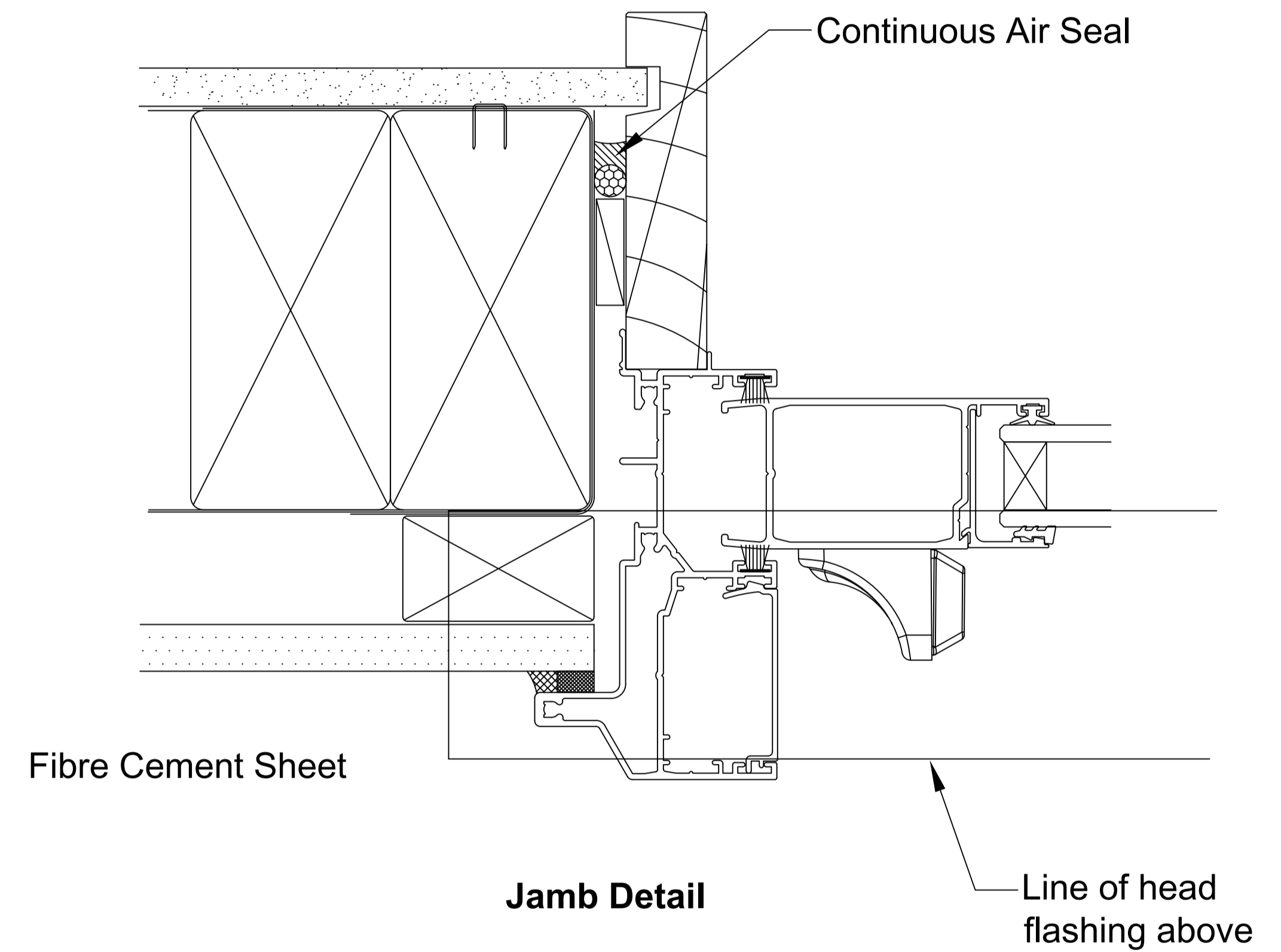
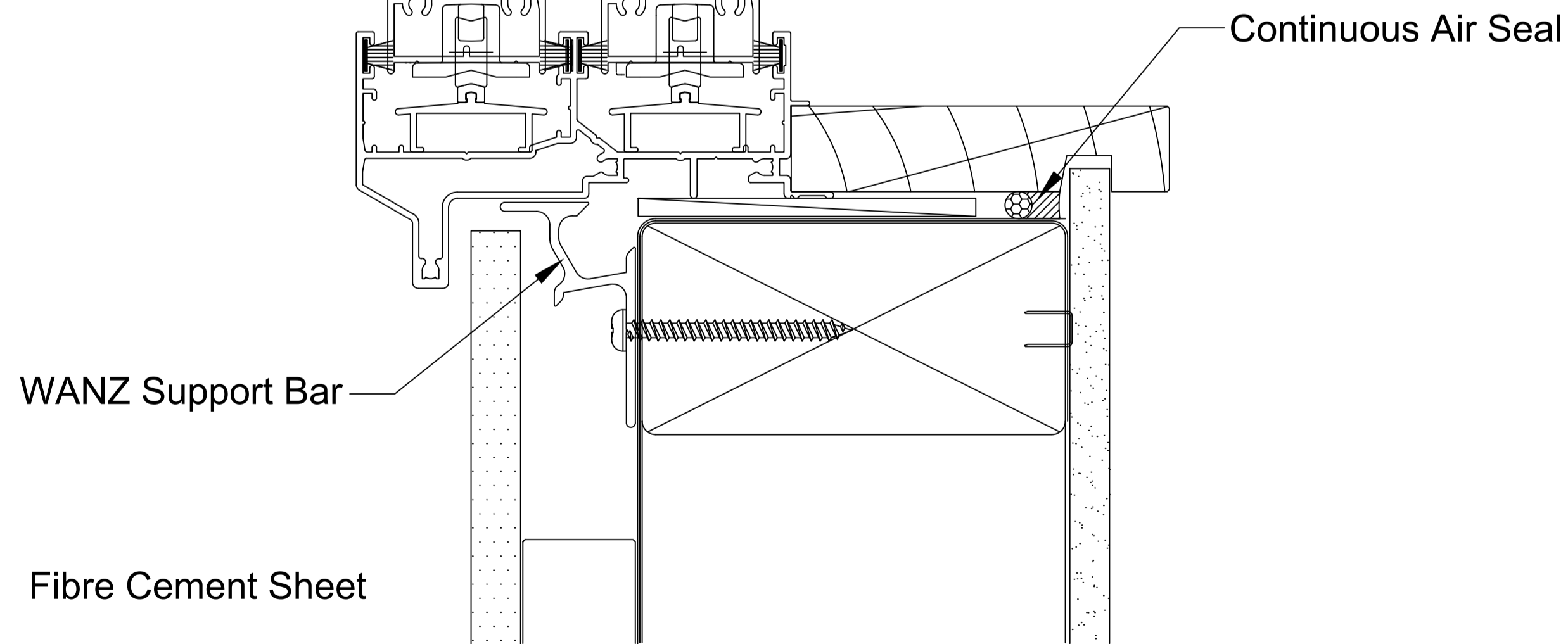
Line of head flashing above

Note:
 Sill support bar may be up to 100mm short of the Trim Opening at either end.
 It is recommended that the bar is installed the full Width of the opening to ensure it picks up the window or door frame support blocks.

Fibre Cement Sheet



Sill Detail



Note:

Sill support bar may be up to 100mm short of the Trim Opening at either end. It is recommended that the bar is installed the full Width of the opening to ensure it picks up the window or door frame support blocks.