

BBS Vertical Shiplap Weatherboard

Cavity Wrap System

Installation Specifications

1.0 General Information

Introduction

BBS Timbers Vertical Shiplap Cavity System is a cavity-based external wall cladding system for residential and light commercial type buildings where domestic construction techniques are used. The cladding system consists of vertically fixed BBS Vertical Shiplap weatherboards installed over ventilated cavity battens, flashings and accessories and is finished with a premium penetrating oil stain or paint finish to BBS recommendations. The system incorporates a primary and secondary means of weather resistance (first and second line of defence) against water penetration by separating the cladding from the external wall frame with an 18-45mm drained cavity.

BBS Vertical Shiplap Weatherboards

BBS Timbers Vertical Shiplap weatherboards are manufactured from Western Red Cedar. Selected Vertical Shiplap weatherboard profiles are manufactured from Euro-larch (oil/stain or paint finish). The weatherboard profiles are in accordance with NZS 3617 and BRANZ Bulletin 411. The Weatherboards are minimum 19mm thick and are available in a range of widths. Weatherboards are supplied as a random length supply. Select lengths are outside of the general specification and available by special request.

Cavity Battens

The Vertical Shiplap Cavity System uses 20, 40 or 45mm thick timber cavity battens, or 18mm thick Cavibat polypropylene cavity battens to separate the weatherboards from the wall frame and form the cavity. The 20, 40 and 45 mm timber batten and Cavibat batten are installed horizontally over nogs/dwangs to provide support for the weatherboards at fixings points. The 40 or 45 mm thick Timber batten can be installed horizontally across the studs and the weatherboards are fixed into the batten only. Timber cavity battens are 45 x 20mm, 45 x 40mm, 45 x 45mm, 70 x 20mm, 70 x 40mm, 70 x 45mm thick Radiata pine treated to minimum Hazard Class H3.1. The top and bottom edges are bevelled with a slope. The front and back face of the batten is grooved with 20mm wide x 5mm deep rebates at 95mm centres. The grooves are offset on each face. Refer to www.cavibat.co.nz and BRANZ Appraisal No. 524 (2012) for full specifications for the Cavibat Cavity Battens.

Accessories

Accessories supplied by BBS Timbers for use with our Vertical Shiplap Cavity System include:

- BBS External corner moulding – BBS40 (40x40) & BBS42 (40x40)
- BBS Cover Battens – BBS201 (69x18) & BBS202 (90x18)
- BBS cover batten fixings – 50 x 2.8mm silicon bronze, Grade 316 stainless steel annular grooved Crown Head, Rose Head or Flat Head nails.
- BBS eaves moulding – BBS32 (40 x 27mm)
- Screw fixings for 40-45mm thick Timber cavity batten fixed to studs only – 12gauge x 65-75mm long Grade 304 stainless steel screws. Minimum 25mm penetration into frame required.
- Nail fixings for weatherboards - selection options:
- For oil/stain finish for 18-20mm Cavibat or Timber battens fixed to nogs/dwangs) – silicon bronze or Grade 316 stainless steel annular grooved Crown Head, Rose Head or Flat Head nails. Nail shank minimum 3.25mm diameter and length to allow 30mm minimum penetration of the wall frame.
- For paint finish for 18-20mm Cavibat or Timber battens fixed to nogs/dwangs – Grade 316 stainless steel annular grooved Jolt Head nails. Nail shank must be minimum 3.25mm diameter and the length to allow 35mm minimum penetration of the wall frame.
- For oil/stain finish for 40-45mm Timber battens fixed to nogs/dwangs only – silicon bronze or Grade 316 stainless steel annular grooved Crown Head, Rose Head or Flat Head nails. Nail shank must be minimum 3.25mm diameter and the length to allow 30mm minimum penetration of the wall frame.
- For paint finish for 40-45mm Timber battens fixed to nogs/dwangs only – Grade 316 stainless steel annular grooved Jolt Head nails. Nail shank must be minimum 3.25mm diameter and the length must allow 35mm minimum penetration of the wall frame
- For oil/stain for structurally fixed 40-45mm Timber battens fixed to studs only – silicon bronze or Grade 316 stainless steel annular grooved Crown Head, Rose Head or Flat Head nails. Nail shank must be minimum 2.8mm diameter and the length must allow 30mm minimum penetration of the Timber cavity batten.
- For paint finish for structurally fixed 40 or 45mm Timber battens fixed to studs only:
Grade 316 stainless steel annular grooved Jolt Head nails. Nail shank must be minimum 3.25mm diameter and the length must allow 35mm minimum penetration of the Timber cavity batten.
- aluminium flashings – widths to suit specified corners – 2.4m or 3.0m lengths.
- aluminium Cavity Closure – 20mm or 40mm, 2.4m or 3.0m lengths.

Handling and Storage

BBS Timber Vertical Shiplap weatherboards must be stacked flat and true, clear of the ground by a minimum of 150mm and supported on dry and clean timber bearers at maximum 900mm centres.

The weatherboards must be kept dry at all times either by storing within an enclosed building or when stored externally an additional secondary cover to the plastic wrapping is required. Care must be taken to avoid damage to edges, ends and the weatherboard surfaces. Water must not be allowed to enter the stack.

2.0 Design Information

Design Responsibility

The Specifier for the project must ensure that the details in this literature are suitable for the intended application and that additional detailing is provided for specific design or any areas that fall outside the scope and specifications of this literature.

Scope

The use of the Vertical Shiplap Cavity System as an external vertically fixed wall cladding system for buildings within the following scope:

Stain finished weatherboards with crown/rose/flat head nails. Paint finished Euro-Larch weatherboards fixed with annular grooved jolt/crown/rose/flat head nails. Paint finished Western Red Cedar weatherboards fixed with annular grooved crown/rose/flat head nails:

- the scope limitations of NZBC Acceptable System E2/AS1, Paragraph 1.1; and,
- constructed with timber framing complying with the NZBC; and,
- with a risk score of 0-20, calculated in accordance with NZBC Acceptable Solution E2/AS1, Table 2; and,
- situated in NZS 3604 Wind Zones up to, and including 'Extra High'. Any stain or paint finished weatherboards, if fixed with annular grooved flat/crown/rose head nails only, for weathertightness and structural wind loading for buildings within the following scope:
- the scope limitations of NZBC Acceptable Solution E2/AS1, Paragraph 1.1 with regards to building height and floor plan area; and,
- constructed with timber framing complying with the NZBC; and,
- situated in specific design wind pressures up to a maximum design differential ultimate limit state (ULS) of 2.5 kPa.

Paint finished Western Red Cedar weatherboards if fixed with annular grooved jolt head nails:

- the scope limitations of NZBC Acceptable System E2/AS1, Paragraph 1.1; and,
- constructed with timber framing complying with the NZBC; and,
- with a risk score of 0-20, calculated in accordance with NZBC Acceptable Solution E2/AS1, Table 2; and,
- situated in NZS 3604 Wind Zones up to, and including Medium when dwangs or structural Timber cavity battens are at maximum 480mm centres, and NZS 3604 Wind Zones up to, and including Very High when dwangs or structural Timber cavity battens are at maximum 400mm centres. For applications which are outside the scope of this literature and details which are not in this literature the specifier must ensure that the design meets the relevant performance requirements of the NZBC. BBS Timbers recommend that professional design advice is sought in these circumstances.

Installation Specifications

Building Regulations

BBS Timber Vertical Shiplap Cavity System if designed, used and installed in accordance with the statements and conditions of this literature, will meet the following provisions of the New Zealand Building Code:

- Clause B1 Structure
- Clause B2 Durability
- Clause E2 External Moisture
- Clause F2 Hazardous Building Materials

Ground Clearances

The finished floor level must have a minimum clearance to paved or unprotected ground as required by NZS 3604:2011.

BBS weatherboards must overhang the bottom plate on a concrete slab by a minimum of 50 mm as required by NZBC Acceptable Solution E2/AS1, Table 18.

The bottom edge of the BBS Vertical Shiplap Weatherboard Cavity System must finish a minimum of 100 mm above paved surfaces or 175 mm above unprotected ground.

At deck or low pitch roof/wall junctions, the bottom edge of the BBS weatherboards must be kept clear of any adjacent surface, or above the top surface of any adjacent roof flashing by a minimum of 35mm.

Structure & Framing

Timber wall framing behind the BBS Vertical Shiplap Cavity System must be treated as required by NZBC Acceptable Solution B2/AS1. Timber framing must comply with NZS 3604 for buildings or parts of buildings within the scope limitations of NZS 3604. Buildings or parts of buildings outside the scope of NZS 3604 must be to a specific design in accordance with NZS 3603 and AS/NZS 1170. Where specific design is required, the framing must be of at least equivalent stiffness to the framing provisions of NZS 3604. Use of timber framing must be in accordance with framing manufacturer's specifications. In all cases studs must be at maximum 600mm centres. Where Timber or Cavitat cavity battens are fixed to nogs/dwangs, the nogs/dwangs must be fitted flush between the studs at maximum 480mm centres. Where 40-45mm thick Timber cavity battens are fixed to studs only, nogs/dwangs must be fitted flush between the studs at maximum 800mm centres.

Note: For painted weatherboards fixed with annular grooved Grade 316 stainless steel Jolt Head nails, nogs/dwangs must be at a maximum 480mm centres for NZS 3604 Wind Zones up to, and including Medium and at a maximum 400mm centres for NZS 3604 Wind Zones High and Very High.

Framing Tolerances

In order to achieve an acceptable wall finish, it is imperative that framing is straight and true. Framing tolerances must comply with the requirements of NZS 3604:2011.

Cavity Closure Strip

BBS Timber Vertical Shiplap Cavity System must incorporate a cavity closure strip to close off the bottom of the cavity and provide resistance against the penetration of vermin. The closure strip must be in accordance with NZBC Acceptable Solution E2/AS1 Paragraph 9.1.8.3. The closure strip must be manufactured from uPVC, aluminium or stainless steel, and be punched with 3-5mm holes or slots which provide a minimum ventilation opening area of 1000mm² per lineal metre of wall.

Wall Underlay

BBS Timber Vertical Shiplap Cavity System must be installed over wall underlay complying with NZBC Acceptable Solution E2/AS1, Table 23, or wall underlays covered by a valid BRANZ Appraisal. All external walls of buildings must have barriers to airflow in the form of interior linings with all joints stopped for wind zones up to and including Very High, and rigid underlays for buildings in the Extra High wind zone and specifically designed buildings up to 2.5 kPa design differential ULS wind pressure. Unlined gables and walls must incorporate a rigid sheathing or an air barrier which meets the requirements of NZBC Acceptable Solution E2/ AS1, Table 23. For attached garages, wall underlays must be selected in accordance with

NZBC Acceptable Solution E2/AS1, Paragraph 9.1.3.4. Where rigid underlays are used, the weatherboard fixing lengths must be increased by a minimum of the thickness of the underlay.

Inter-storey JUNCTIONS

Inter-storey drained joints must be constructed in accordance with the Technical Literature. Inter-storey drained joints must be provided to limit continuous cavities to the lesser of 2-storeys or 7 metres in height, in accordance with the requirements of NZBC Acceptable Solution E2/AS1, Paragraph 9.1.9.4(b).

BBS Vertical Shiplap Weatherboards

BBS Timber Vertical Shiplap weatherboards shall be fixed with an approximate 2mm vertical expansion gap at the overlap between boards. BBS Vertical Shiplap profiles are all manufactured in accordance with BRANZ Bulletin 411 and NZS 3617 (1979). The weatherboards shall be pre-coated with the selected coating (prior to site delivery and installation) by BBS or client.

Pre-finished Vertical Shiplap weatherboards shall be over-coated and maintained in accordance with the coating manufacturer's specification. All cut ends and/ or uncoated surfaces shall be double coated during installation to protect against the penetration of moisture, post installation. The weatherboards and battens shall be fixed to nogs/ dwangs or structurally fixed 40 or 45mm Timber cavity battens at 400mm to 480mm centres using Vertical Shiplap weatherboard and batten fixings.

External corners shall be weatherproofed by the use of corrosion resistant corner flashings behind the weatherboards and corner facings, e.g. BBS proprietary cover batten profiles BBS201 and BBS202. Internal corners shall be weatherproofed by the use of corrosion resistant internal corner flashings along with internal mouldings eg. BBS41 or BBS201 and BBS202.

3.0 Installation Information

System Installation

This section of the literature should be read in conjunction with the installation details. The selected wall underlay and flexible sill and jamb tape system must be installed by the building contractor in accordance with the underlay and tape manufacturer's instructions prior to the installation of the cavity battens and the rest of the Vertical Shiplap Cavity System.

Flexible building underlay must be installed horizontally and be continuous around corners. Underlay must be lapped 75mm minimum at horizontal joints and 150mm minimum over studs at vertical joints.

Generic rigid sheathing materials must be installed in accordance with NZBC Acceptable Solution E2/AS1 and be overlaid with a flexible wall underlay. Proprietary systems shall be installed in accordance with the manufacturer's instructions. Particular attention must be paid to the installation of the building underlay and sill and jamb tapes around window and door openings to ensure a continuous seal is achieved and all exposed wall framing in the opening is protected. The selected cavity closure strip must be installed so a minimum 15mm drip edge to the bottom of the weatherboards is maintained at all times.

There are several options available for the installation of cavity battens as outlined below.

Timber Cavity Battens to Nogs/Dwangs

Timber cavity battens must be installed horizontally over the building underlay to the wall framing (nogs/dwangs) at 400-480mm maximum centres. The battens must be installed with the top edge sloping away from the wall underlay towards the back of the weatherboards. The cavity battens must be fixed in place with 40 x 2.5mm flat head hot-dipped galvanised nails or 50 x 2.8mm hot-dipped galvanised gun nails (for 20mm thick battens), or 60 x 2.8mm flat head hot-dipped galvanised nails or 60 x 2.8mm hot-dipped galvanised gun nails (for 40 or 45mm thick battens) to temporarily fix the battens in place prior to installation of the cladding.

Cavibat Cavity Battens to Nogs/Dwangs

Cavibat cavity battens must be installed horizontally over the building underlay to the wall framing (nogs/ dwangs) at 400-480mm maximum centres. The cavity battens must be fixed in place with 40 x 2.5mm hot-dipped galvanised flat head nails or galvanised or stainless steel finishing brads at 400mm centres. Refer to BRANZ Appraisal Number 524 (2012) for further information.

40 or 45mm thick structurally fixed Timber Cavity Battens to Studs

40 or 45mm thick Timber cavity battens must be installed horizontally over the building underlay to the wall framing (studs) at maximum 400-480mm maximum centres. The battens must be installed with the top edge sloping away from the wall underlay towards the back of the weatherboards. The cavity battens must be fixed in place with one 12gauge x 65mm long (for 40mm thick batten) or 12gauge x 75mm long (for 45mm thick batten)

Grade 316 stainless steel screw at each stud crossing (maximum 600mm centres). A 25mm minimum penetration of the framing is required.

Aluminium Joinery Installation

Aluminium joinery and associated head flashings must be installed in accordance with the window manufacturer's instructions. A 7.5 - 10mm nominal gap must be left between the joinery reveal and the wall framing so a PEF rod and air seal can be installed in accordance with NZBC Acceptable Solution E2/AS1, Paragraph 9.1.6 after the joinery has been secured in place.

BBS Timber Vertical Shiplap Weatherboard Installation

BBS Timber Vertical Shiplap weatherboards must not be wet prior to installation.

Prior to installation, all faces and edges of the BBS Vertical Shiplap weatherboards must be sealed with an exterior grade oil-based penetrating oil stain or paint.

During installation, cut ends and edges and all fresh cuts or exposed timber must be double sealed with an exterior grade oil-based penetrating oil stain or paint.

BBS Timber Vertical Shiplap weatherboards must be installed starting at the corner of the wall section being clad. The first weatherboard must be installed plumb to assist with the installation of subsequent weatherboards. The weatherboards must overhang the bottom plate by a minimum of 50mm. The weatherboards should be installed with the lap facing away from the prevailing winds.

Immediately prior to installing the weatherboards over the internal and external corner flashings, a continuous bead of sealant must be applied to the face of the flashing along the fixing line.

BBS Vertical Shiplap weatherboards must be overlapped a minimum of 25mm with 2mm expansion gap at the overlap.

BBS Timber Vertical Shiplap weatherboards and battens must be pre-drilled on a slight up-slope with a hole slightly smaller than that of the nail to reduce the risk of moisture entry. Fixings must be located 30-35mm in from the weatherboard lap and must finish flush onto the surface of the weatherboard not into or below the surface. Fix weatherboards in full lengths where possible.

For oil/stain finished weatherboards:

Weatherboard fixing must be carried out using silicon bronze or Grade 316 stainless steel annular grooved Crown Head, Rose Head or Flat Head nails.

For 18mm Cavibat or 20, 40 or 45mm Timber battens fixed to nogs/dwangs, the nail shank must be minimum 3.25mm diameter and the length must allow minimum 30mm penetration of the wall frame.

For structurally fixed 40-45mm Timber battens fixed to studs only, the nail shank must be minimum 2.8mm diameter and the length must allow minimum 30mm penetration of the batten.

For paint finished weatherboards:

Weatherboard fixing must be carried out using Grade 316 stainless steel annular grooved Jolt Head nails. Punch nails 2mm below the weatherboard surface, prime nail holes and fill prior to sanding and finishing.

For 18mm Cavibat or 20, 40 or 45mm Timber batten fixed to nogs/dwangs, the nail shank must be minimum 3.25mm diameter and the length must allow minimum 35mm penetration of the wall frame.

For structurally fixed 40-45mm Timber battens fixed to studs only, the nail shank must be minimum 3.25mm diameter and the length must allow minimum 35mm penetration of the batten.

Boxed Corners and Mouldings

External and internal corners must be finished in accordance with the installation detailing.

Finishing

At least two coats of an exterior grade quality oil-based penetrating stain must be used over the front face of the BBS Vertical Shiplap weatherboards to protect the weatherboards and battens and give the desired finish colour to the exterior walls. The stain must be recommended for use as a wall cladding stain by the manufacturer and must be brush or BBS Factory applied. BBS Timbers recommend the use of oil based stains manufactured by Dryden.

Follow the stain manufacturer's instructions at all times for application of the stain finish.

To ensure a top quality paint finish:

1. Any sharp edges should be removed to provide a radius to aid in uniform paint film coverage.
 2. Use a premium alkyd oil or acrylic based primer to envelope prime all cut ends and bare timber surfaces twice.
 3. Punch nail holes and prime promptly after punching.
 4. Fill holes with a suitable filler and allow to dry.
 5. When filler is fully dry and cured, sand area smooth.
 6. Apply one coat of an alkyd oil or acrylic based primer to sanded area and allow to fully dry before sanding lightly.
 7. Ensure surface is clean and free from any chalking, dirt, dust, mould or other contaminants prior to painting top coats.
 8. Apply two coats of premium high quality 100% exterior grade acrylic to surface allowing adequate time for drying between coats.
- Follow the paint manufacturer's instructions at all times for application of the paint finish.

4.0 Maintenance

Building owners are responsible for the maintenance of their Weather boards cladding.

Notes:

- All nail fixings pre-drilled minimum 1mm diameter smaller than nail gauge
- All products to be pre-coated & cut edges to be sealed as per Branz Bulletin 411
- All materials and fixtures are to comply with E2/AS1 clause 2.2
- Provide PVC tape bond break between H3.2 battens and any flashing
- Vertical Shiplap profiles to be fixed with a minimum 2mm gap at the overlap between boards
- Rigid & Flexible underlay as per table 23 and clauses 9.1.5 to 9.1.7
- Timber to NZBC B2 durability B2.3.1 (b), Western Red Cedar, Larch

80mm PBS Butyl tape lapped evenly to corner over a 100mm strip PBS Butyl primer

Internal corner "W" mould extrusion 50x20x20x50mm hem edge folds compatibility to comply with NZBC E2/AS1

CCA treated H3.2 45x20mm BBS "V" timber cavity batten

Framing

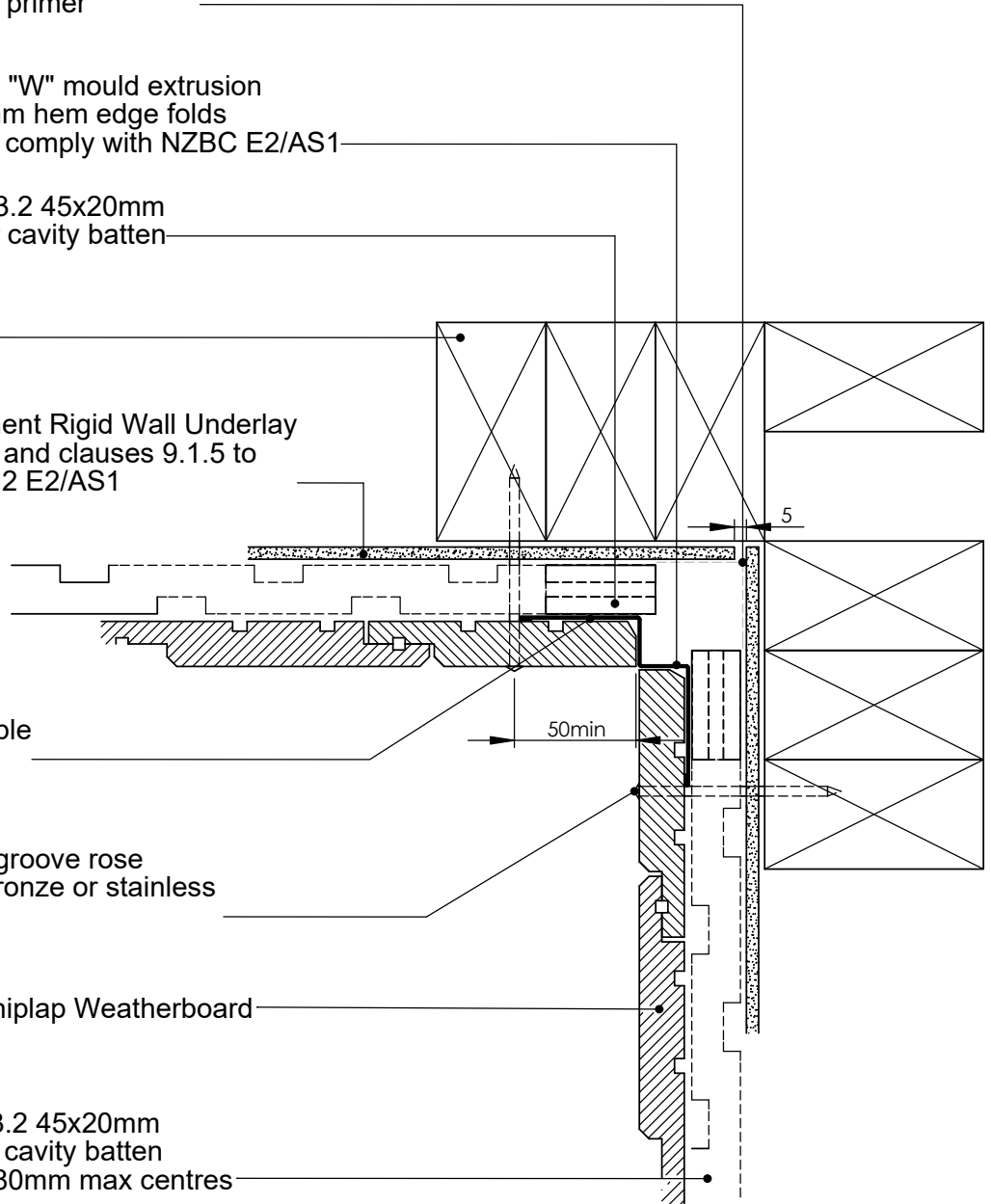
6mm Fibre cement Rigid Wall Underlay As per table 23 and clauses 9.1.5 to 9.1.7 and 9.1.7.2 E2/AS1

9x9 Compressible foam strip

75mm annular groove rose head silicone bronze or stainless steel nail

BBS Vertical Shiplap Weatherboard

CCA treated H3.2 45x20mm BBS "H" timber cavity batten Horizontal @ 480mm max centres



TITLE:					copyright BBS Timbers LTD ©		Internal Corner Detail	
	NAME	SIGNATURE	DATE	Rev		27 Kioreroa road PO Box 1407 Whangarei 09 438 9358	DWG NO.	A4
DRAWN							VC-RB-01	
CHK'D								
APP'VD							SCALE:1:10 DNS	SHEET 1 OF 1

Notes:

- All nail fixings pre-drilled minimum 1mm diameter smaller than nail gauge
- All products to be pre-coated & cut edges to be sealed as per Branz Bulletin 411
- All materials and fixtures are to comply with E2/AS1 clause 2.2
- Provide PVC tape bond break between H3.2 battens and any flashing
- Vertical Shiplap profiles to be fixed with a minimum 2mm gap at the overlap between boards
- Rigid & Flexible underlay as per table 23 and clauses 9.1.5 to 9.1.7
- Timber to NZBC B2 durability B2.3.1 (b), Western Red Cedar, Larch

80mm PBS Butyl tape lapped evenly to corner over a 100mm strip PBS Butyl primer

CCA treated H3.2 45x20mm BBS "V" timber cavity batten

BBS41 (19X19mm) internal timber corner moulding

9x9 compressible foam strip

Framing

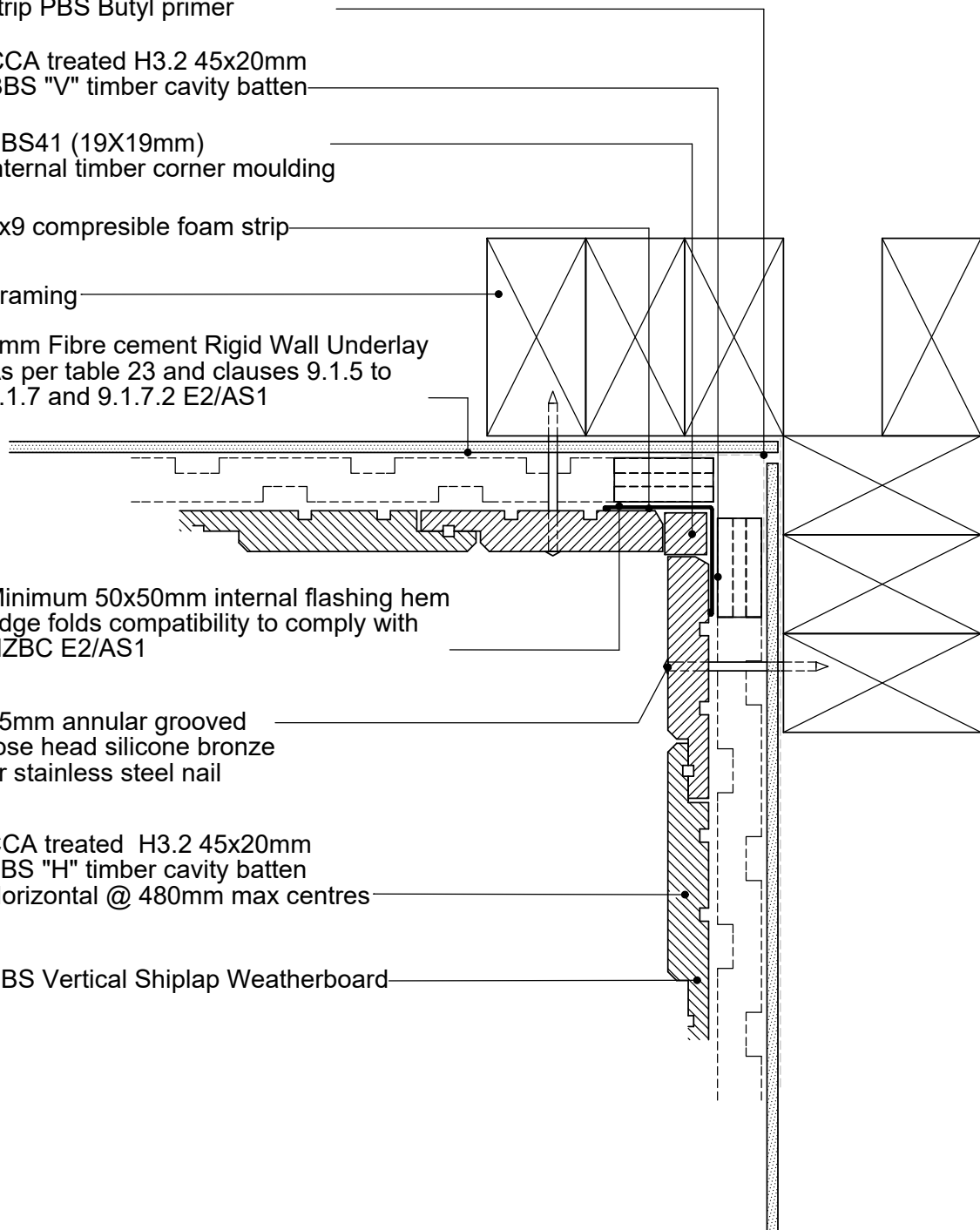
6mm Fibre cement Rigid Wall Underlay
As per table 23 and clauses 9.1.5 to 9.1.7 and 9.1.7.2 E2/AS1

Minimum 50x50mm internal flashing hem edge folds compatibility to comply with NZBC E2/AS1

75mm annular grooved rose head silicone bronze or stainless steel nail

CCA treated H3.2 45x20mm BBS "H" timber cavity batten
Horizontal @ 480mm max centres

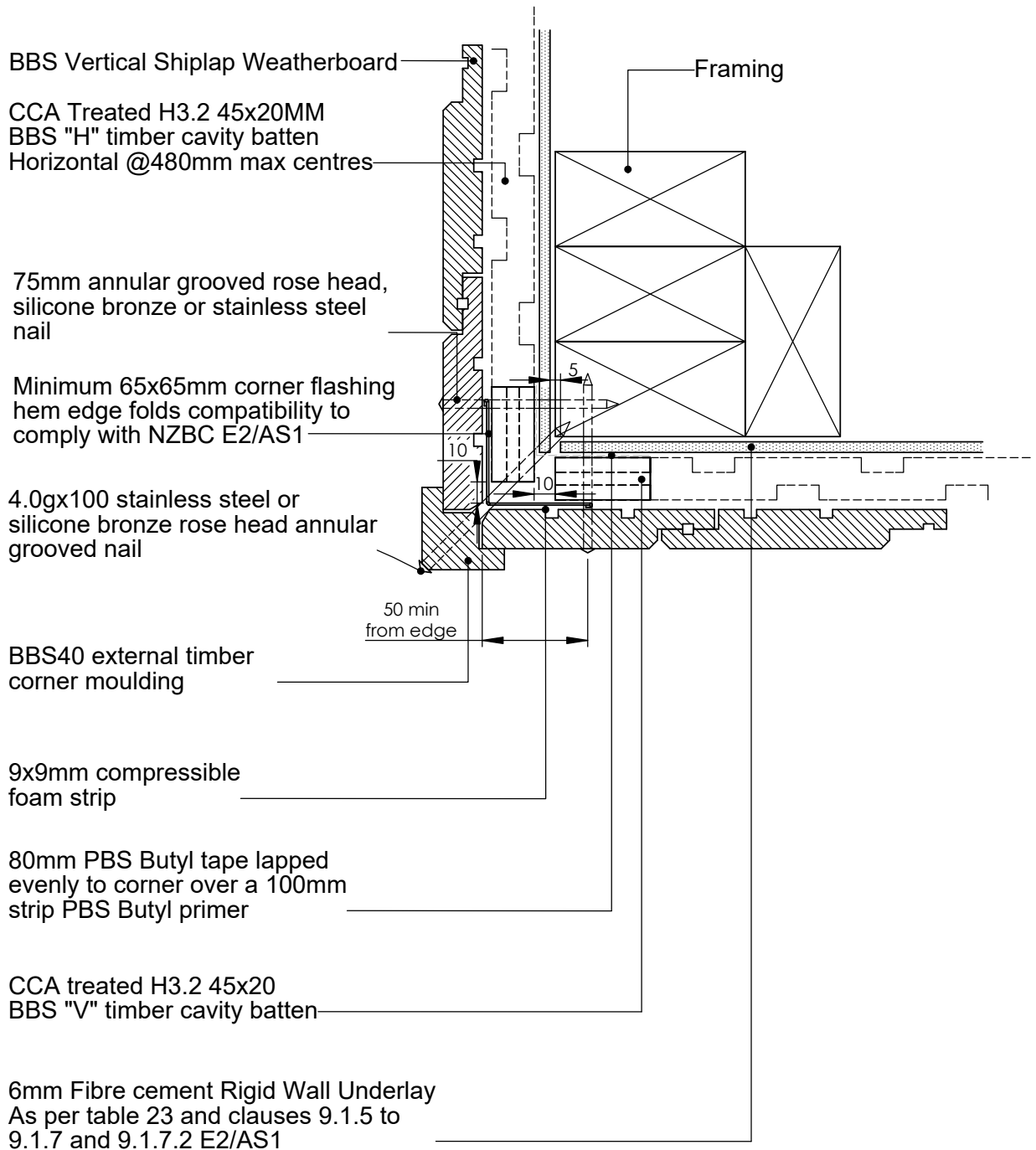
BBS Vertical Shiplap Weatherboard



TITLE:					copyright BBS Timbers LTD ©		Internal Corner Detail		
	NAME	SIGNATURE	DATE	Rev	 27 Kioreroa road PO Box 1407 Whangarei 09 438 9358	DWG NO.	VC-RB-02	A4	
DRAWN						SCALE:1:1			DNS
CHK'D									
APPVD									

Notes:

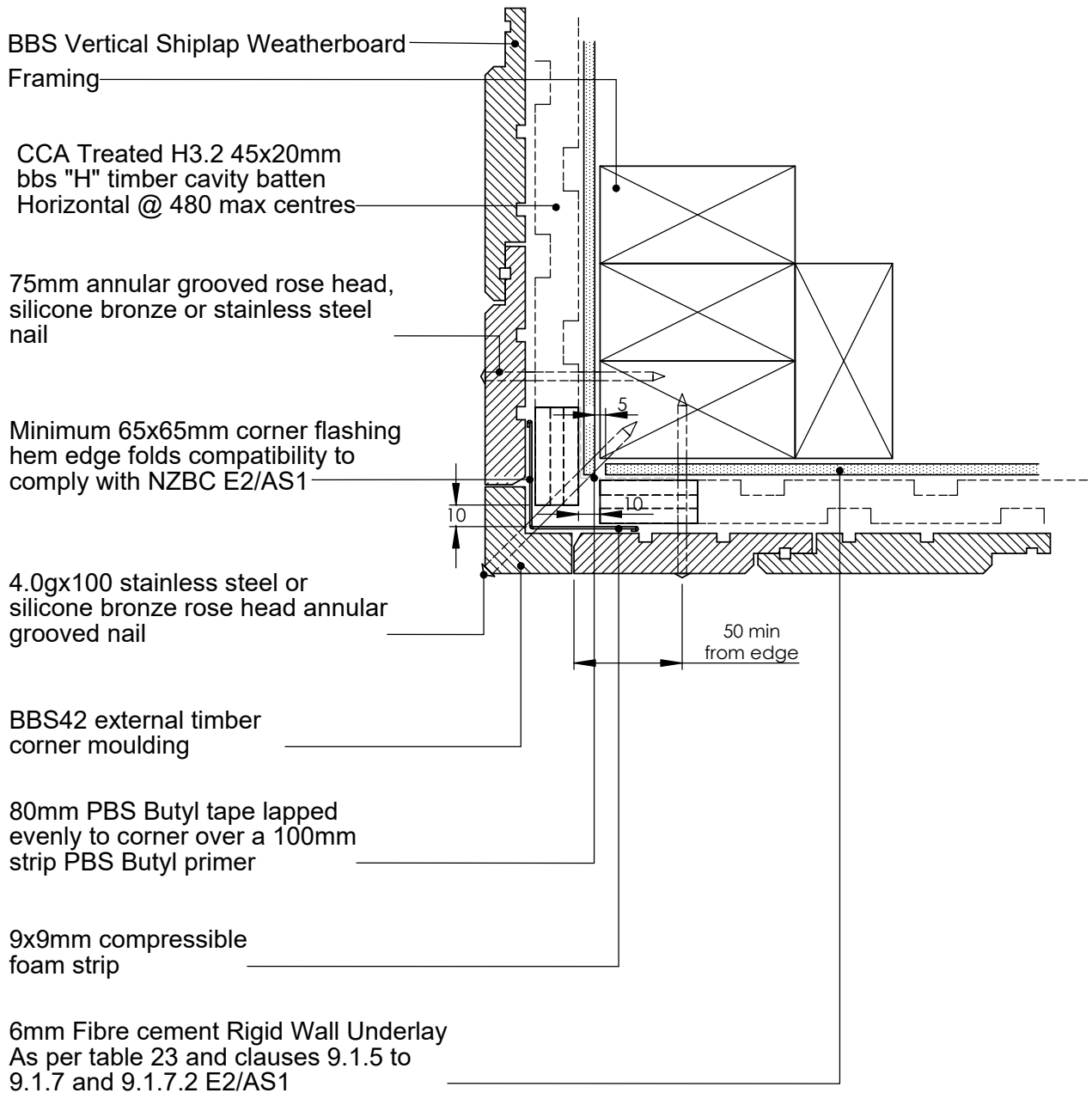
- All nail fixings pre-drilled minimum 1mm diameter smaller than nail gauge
- All products to be pre-coated & cut edges to be sealed as per Branz Bulletin 411
- All materials and fixtures are to comply with E2/AS1 clause 2.2
- Provide PVC tape bond break between H3.2 battens and any flashing
- Vertical Shiplap profiles to be fixed with a minimum 2mm gap at the overlap between boards
- Rigid & Flexible underlay as per table 23 and clauses 9.1.5 to 9.1.7
- Timber to NZBC B2 durability B2.3.1 (b), Western Red Cedar, Larch



TITLE:					copyright BBS Timbers LTD ©		External corner detail		
	NAME	SIGNATURE	DATE	Rev	 27 Kioreroa road PO Box 1407 Whangarei 09 438 9358	DWG NO.	VC-RB-03	A4	
DRAWN						SCALE:1:5			DNS
CHK'D									
APPVD									

Notes:

- All nail fixings pre-drilled minimum 1mm diameter smaller than nail gauge
- All products to be pre-coated & cut edges to be sealed as per Branz Bulletin 411
- All materials and fixtures are to comply with E2/AS1 clause 2.2
- Provide PVC tape bond break between H3.2 battens and any flashing
- Vertical Shiplap profiles to be fixed with a minimum 2mm gap at the overlap between boards
- Rigid & Flexible underlay as per table 23 and clauses 9.1.5 to 9.1.7
- Timber to NZBC B2 durability B2.3.1 (b), Western Red Cedar, Larch



TITLE:					copyright BBS Timbers LTD ©		External corner detail		
	NAME	SIGNATURE	DATE	Rev	 27 Kioreroa road PO Box 1407 Whangarei 09 438 9358	DWG NO.	VC-RB-04	A4	
DRAWN						SCALE:1:5			DNS
CHK'D									
APP'VD									

Notes:

- All nail fixings pre-drilled minimum 1mm diameter smaller than nail gauge
- All products to be pre-coated & cut edges to be sealed as per Branz Bulletin 411
- All materials and fixtures are to comply with E2/AS1 clause 2.2
- Provide PVC tape bond break between H3.2 battens and any flashing
- Vertical Shiplap profiles to be fixed with a minimum 2mm gap at the overlap between boards
- Rigid & Flexible underlay as per table 23 and clauses 9.1.5 to 9.1.7
- Timber to NZBC B2 durability B2.3.1 (b), Western Red Cedar, Larch

6mm Fibre cement Rigid Wall Underlay
As per table 23 and clauses 9.1.5 to 9.1.7 and 9.1.7.2 E2/AS1

CCA treated H3.2 45x20mm
BBS "H" timber cavity batten.
Horizontal @ 480mm max centres

Framing

75mm annular grooved
rose head, silicone bronze
or stainless steel nail

CCA treated H3.2 45x20mm
BBS "V" timber cavity batten

90x19mm
BBS202 Box corner

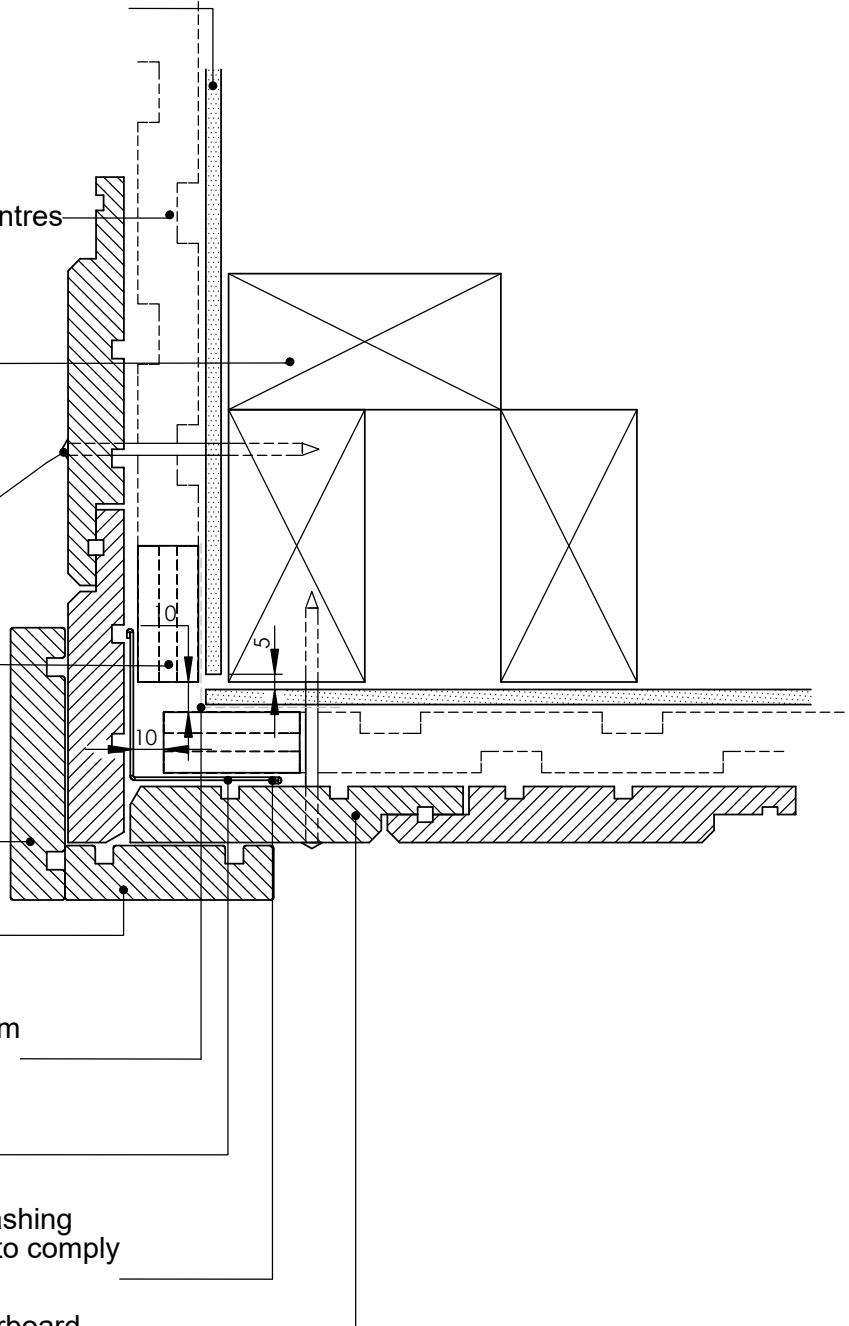
69x19mm
BBS201 Box corner

80mm PBS Butyl tape lapped
evenly to corner over a 100mm
strip PBS Butyl primer

9x9mm compressible
foam strip

Minimum 50x50mm corner flashing
hem edge folds compatibility to comply
with NZBC E2/AS1

BBS Vertical Shiplap Weatherboard



TITLE:					copyright BBS Timbers LTD ©		External corner detail		
	NAME	SIGNATURE	DATE	Rev	 27 Kioreroa road PO Box 1407 Whangarei 09 438 9358	DWG NO.	VC-RB-05	A4	
DRAWN						SCALE:1:5			DNS
CHK'D									
APP'VD									

Notes:

- All nail fixings pre-drilled minimum 1mm diameter smaller than nail gauge
- All products to be pre-coated & cut edges to be sealed as per Branz Bulletin 411
- All materials and fixtures are to comply with E2/AS1 clause 2.2
- Provide PVC tape bond break between H3.2 battens and any flashing
- Vertical Shiplap profiles to be fixed with a minimum 2mm gap at the overlap between boards
- Rigid & Flexible underlay as per table 23 and clauses 9.1.5 to 9.1.7
- Timber to NZBC B2 durability B2.3.1 (b), Western Red Cedar, Larch

6mm Fibre cement Rigid Wall Underlay
As per table 23 and clauses 9.1.5 to 9.1.7 and 9.1.7.2 E2/AS1

Framing

CCA treated H3.2 45x20mm
BBS "V" timber cavity batten

75mm annular grooved
rose head, silicone bronze
or stainless steel nail

9x9mm compressible
foam strip

Powder coated external corner
extrusion hem edge, folds
compatibility to comply with
NZBC E2/AS1

50 min
from edge

80mm PBS Butyl tape lapped
evenly to corner over a 100mm
strip PBS Butyl primer

BBS Vertical Shiplap Weatherboard

CCA treated H3.2 45x20mm
BBS "H" timber cavity batten.
Horizontal @ 480mm max centres

copyright BBS Timbers LTD ©

External corner detail

TITLE:

	NAME	SIGNATURE	DATE	Rev
DRAWN				
CHK'D				
APP'VD				



27 Kioreroa road
PO Box 1407
Whangarei
09 438 9358

DWG NO.

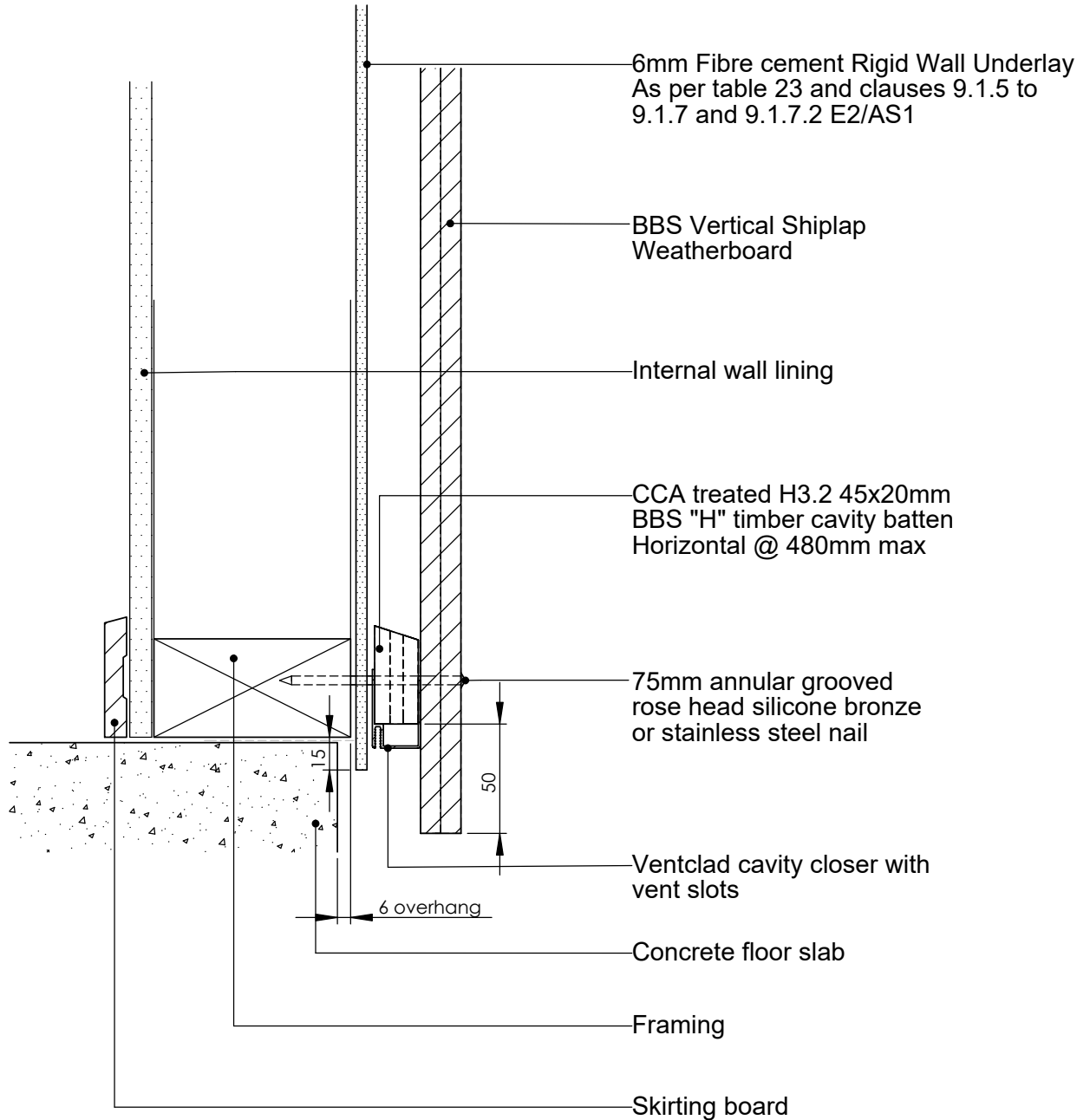
VC-RB-06

A4

SCALE:1:5 DNS SHEET 1 OF 1

Notes:

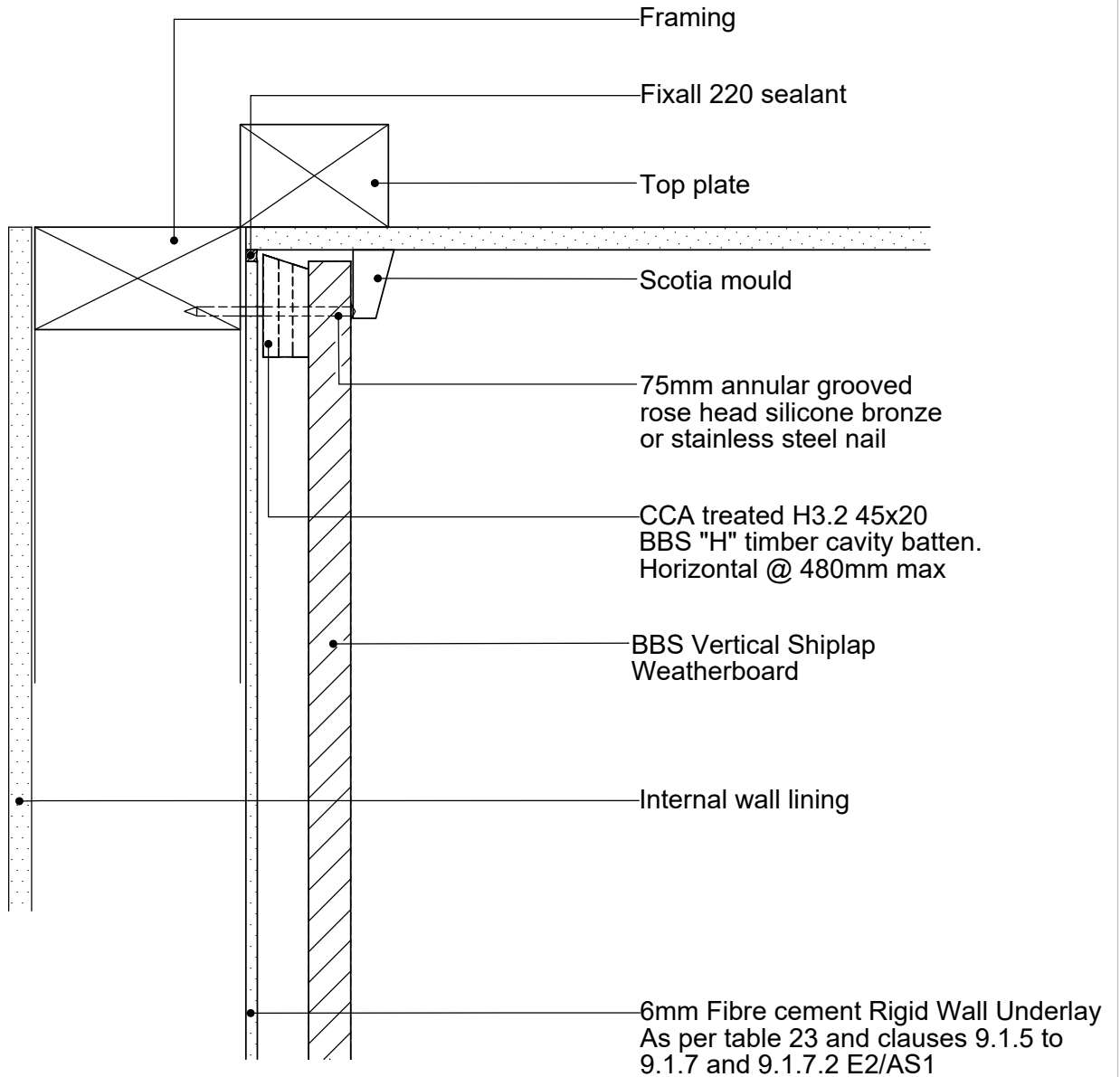
- All nail fixings pre-drilled minimum 1mm diameter smaller than nail gauge
- All products to be pre-coated & cut edges to be sealed as per Brnz Bulletin 411
- All materials and fixtures are to comply with E2/AS1 clause 2.2
- Provide PVC tape bond break between H3.2 battens and any flashing
- Vertical Shiplap profiles to be fixed with a minimum 2mm gap at the overlap between boards
- Rigid & Flexible underlay as per table 23 and clauses 9.1.5 to 9.1.7
- Timber to NZBC B2 durability B2.3.1 (b), Western Red Cedar, Larch



TITLE:					copyright BBS Timbers LTD ©		Bottom plate detail		
	NAME	SIGNATURE	DATE	Rev	 27 Kioreroa road PO Box 1407 Whangarei 09 438 9358	DWG NO.	VC-RB-07	A4	
DRAWN						SCALE:1:10			DNS
CHK'D									
APP'VD									

Notes:

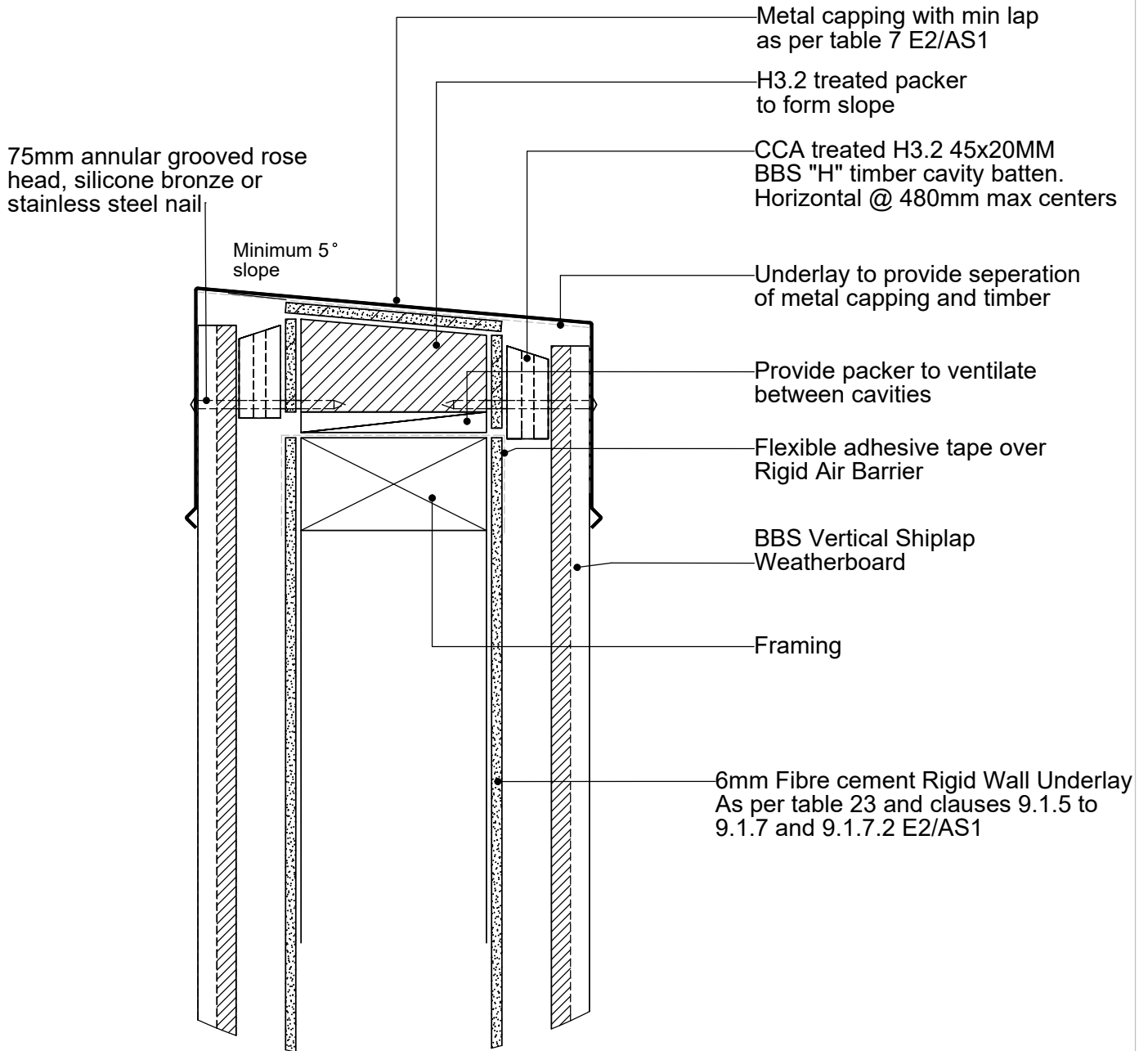
- All nail fixings pre-drilled minimum 1mm diameter smaller than nail gauge
- All products to be pre-coated & cut edges to be sealed as per Branz Bulletin 411
- All materials and fixtures are to comply with E2/AS1 clause 2.2
- Provide PVC tape bond break between H3.2 battens and any flashing
- Vertical Shiplap profiles to be fixed with a minimum 2mm gap at the overlap between boards
- Rigid & Flexible underlay as per table 23 and clauses 9.1.5 to 9.1.7
- Timber to NZBC B2 durability B2.3.1 (b), Western Red Cedar, Larch



TITLE:					copyright BBS Timbers LTD ©		Top Plate to Soffit Detail	
	NAME	SIGNATURE	DATE	Rev	 27 Kioreroa road PO Box 1407 Whangarei 09 438 9358	DWG NO.	A4	
DRAWN						VC-RB-08		
CHK'D								
APP'VD						SCALE:1:10 DNS	SHEET 1 OF 1	

Notes:

- All nail fixings pre-drilled minimum 1mm diameter smaller than nail gauge
- All products to be pre-coated & cut edges to be sealed as per Branz Bulletin 411
- All materials and fixtures are to comply with E2/AS1 clause 2.2
- Provide PVC tape bond break between H3.2 battens and any flashing
- Vertical Shiplap profiles to be fixed with a minimum 2mm gap at the overlap between boards
- Rigid & Flexible underlay as per table 23 and clauses 9.1.5 to 9.1.7
- Timber to NZBC B2 durability B2.3.1 (b), Western Red Cedar, Larch



TITLE:					copyright BBS Timbers LTD ©		Parapet Detail	
	NAME	SIGNATURE	DATE	Rev	 27 Kioreroa road PO Box 1407 Whangarei 09 438 9358	DWG NO.	VC-RB-09	A4
DRAWN								
CHK'D								
APP'VD								
						SCALE:1:10	DNS	SHEET 1 OF 1

Notes:

- All nail fixings pre-drilled minimum 1mm diameter smaller than nail gauge
- All products to be pre-coated & cut edges to be sealed as per Branz Bulletin 411
- All materials and fixtures are to comply with E2/AS1 clause 2.2
- Provide PVC tape bond break between H3.2 battens and any flashing
- Vertical Shiplap profiles to be fixed with a minimum 2mm gap at the overlap between boards
- Rigid & Flexible underlay as per table 23 and clauses 9.1.5 to 9.1.7
- Timber to NZBC B2 durability B2.3.1 (b), Western Red Cedar, Larch

80mm PBS Butyl tape wrapped evenly to corner over a 100mm strip PBS Butyl primer

CCA treated BBS 20x45-V H3.2 timber cavity batten

9x9 compressible foam strip

Framing

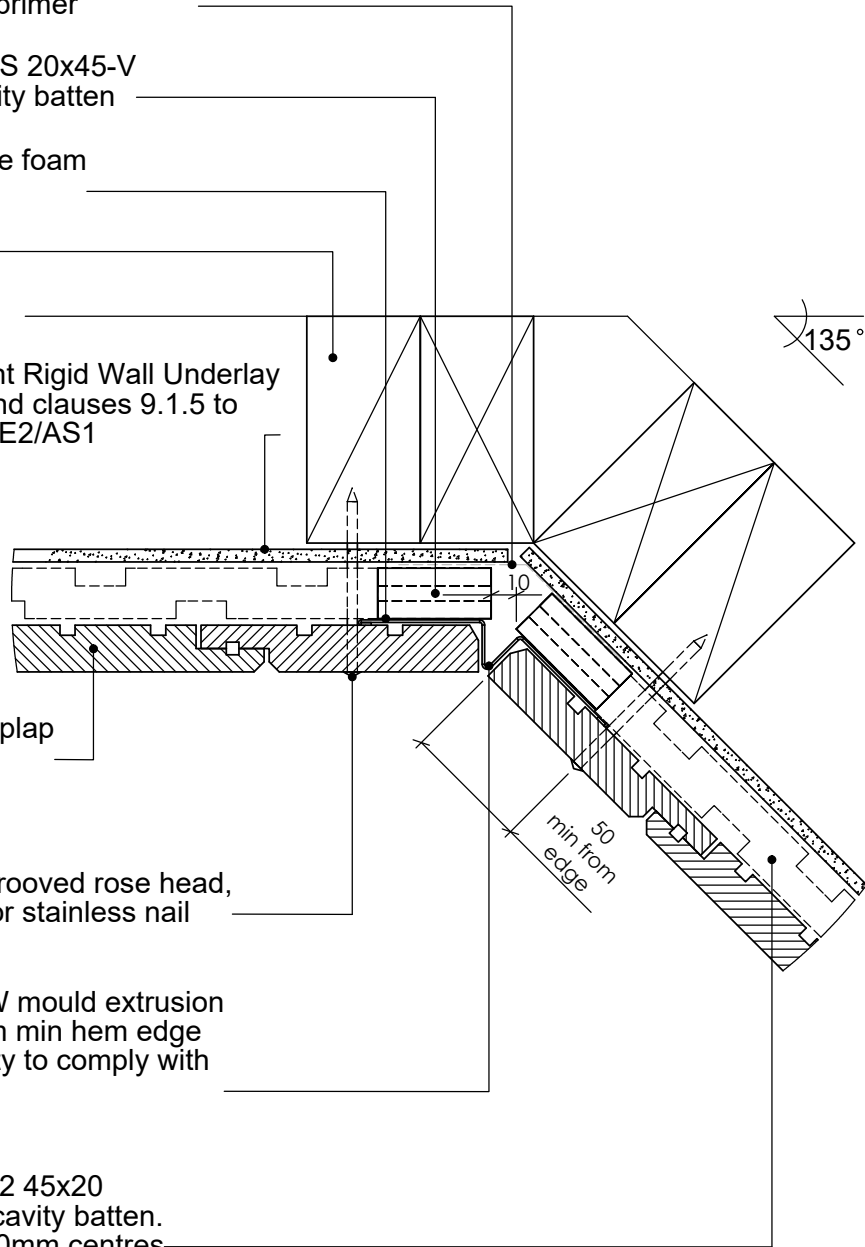
6mm Fibre cement Rigid Wall Underlay
As per table 23 and clauses 9.1.5 to 9.1.7 and 9.1.7.2 E2/AS1

BBS Vertical Shiplap Weatherboard

75mm annular grooved rose head, silicone bronze or stainless nail

Internal corner W mould extrusion
50x20x20x50mm min hem edge folds compatibility to comply with NZBC E2/AS1

CCA treated H3.2 45x20 BBS "H" timber cavity batten.
Horizontal @ 480mm centres



TITLE:					copyright BBS Timbers LTD ©		Internal Corner Detail	
	NAME	SIGNATURE	DATE	Rev		27 Kioreroa road PO Box 1407 Whangarei 09 438 9358	DWG NO.	A4
DRAWN							VC-RB-10	
CHK'D								
APP'VD							SCALE:1:10 DNS	SHEET 1 OF 1

Notes:

- All nail fixings pre-drilled minimum 1mm diameter smaller than nail gauge
 - All products to be pre-coated & cut edges to be sealed as per Branz Bulletin 411
 - All materials and fixtures are to comply with E2/AS1 clause 2.2
 - Provide PVC tape bond break between H3.2 battens and any flashing
 - Vertical Shiplap profiles to be fixed with a minimum 2mm gap at the overlap between boards
 - Rigid & Flexible underlay as per table 23 and clauses 9.1.5 to 9.1.7
- Timber to NZBC B2 durability B2.3.1 (b), Western Red Cedar, Larch

80mm PBS Butyl tape lapped evenly to corner over a 100mm strip PBS Butyl primer

Framing

CCA treated BBS 20x45-V H3.2 timber cavity batten

6mm Fibre cement Rigid Wall Underlay
As per table 23 and clauses 9.1.5 to 9.1.7 and 9.1.7.2 E2/AS1

BBS Vertical Shiplap Weatherboard

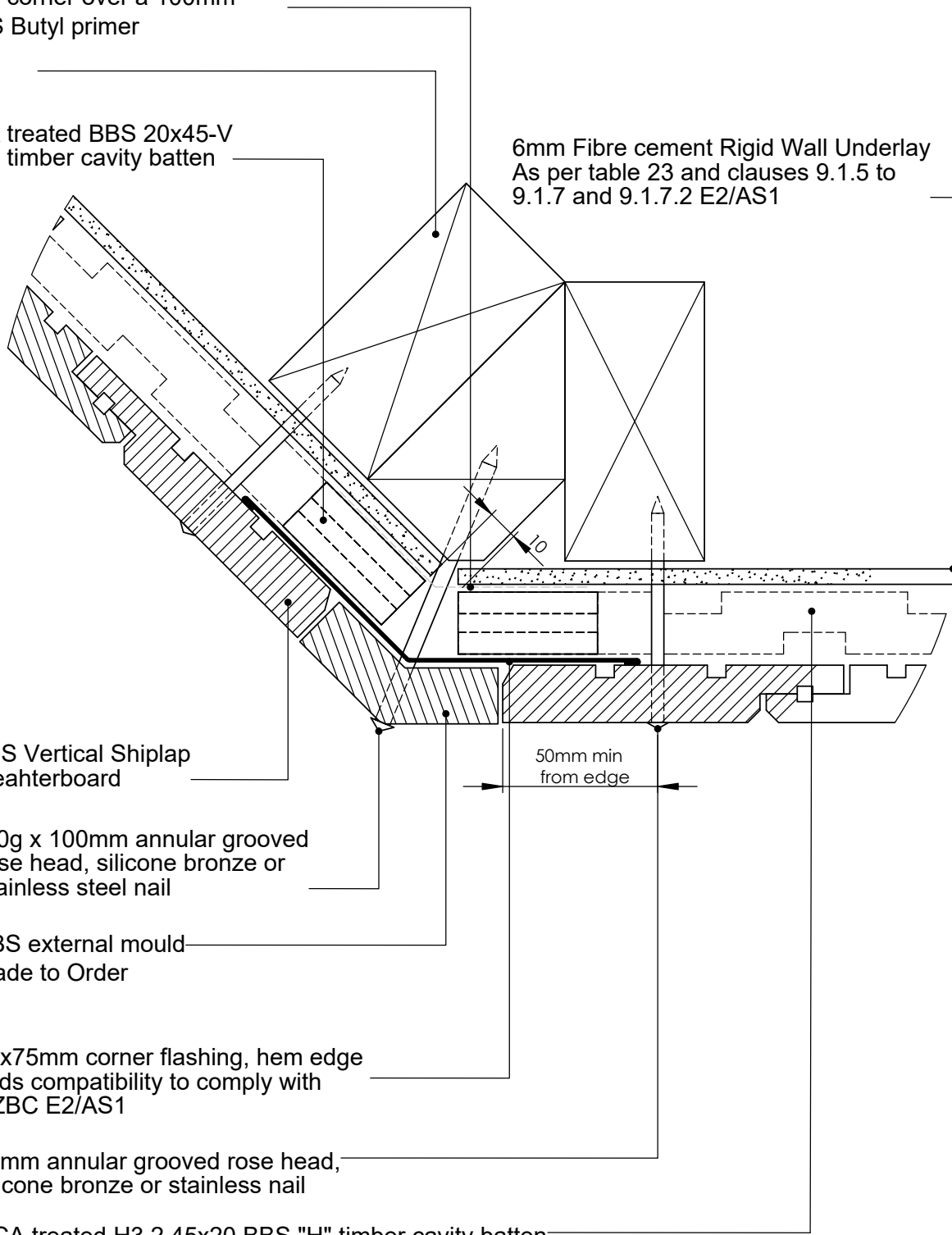
4.0g x 100mm annular grooved rose head, silicone bronze or stainless steel nail

BBS external mould
Made to Order

75x75mm corner flashing, hem edge folds compatibility to comply with NZBC E2/AS1

75mm annular grooved rose head, silicone bronze or stainless steel nail

CCA treated H3.2 45x20 BBS "H" timber cavity batten
Horizontal @480mm max centres



TITLE:					copyright BBS Timbers LTD ©		External Corner Detail	
	NAME	SIGNATURE	DATE	Rev		27 Kioreroa road PO Box 1407 Whangarei 09 438 9358	DWG NO.	A4
DRAWN							VC-RB-11	
CHK'D								
APP'VD							SCALE:1:10 DNS	SHEET 1 OF 1

Notes:

- All nail fixings pre-drilled minimum 1mm diameter smaller than nail gauge
- All products to be pre-coated & cut edges to be sealed as per Branz Bulletin 411
- All materials and fixtures are to comply with E2/AS1 clause 2.2
- Provide PVC tape bond break between H3.2 battens and any flashing
- Vertical Shiplap profiles to be fixed with a minimum 2mm gap at the overlap between boards
- Rigid & Flexible underlay as per table 23 and clauses 9.1.5 to 9.1.7
- Timber to NZBC B2 durability B2.3.1 (b), Western Red Cedar, Larch

6mm Fibre cement Rigid Wall Underlay
As per table 23 and clauses 9.1.5 to 9.1.7 and 9.1.7.2 E2/AS1

Support pipe with a nog under & screw fixed strap over

Flexible flashing tape

Internal wall lining

Framing

Fixall 220

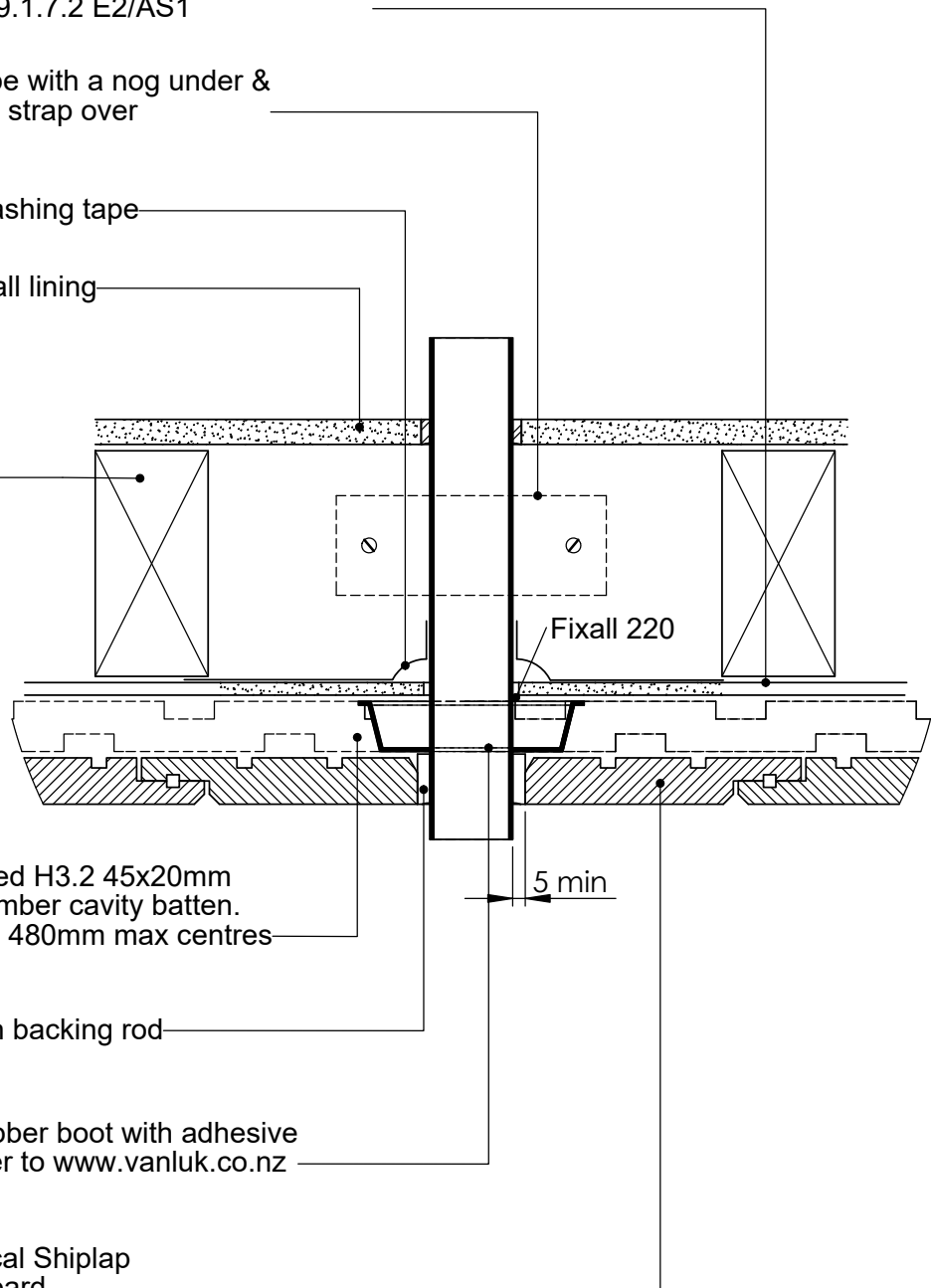
CCA treated H3.2 45x20mm
BBS "V" timber cavity batten.
Vertical @ 480mm max centres

5 min

Sealant on backing rod

Vanluk rubber boot with adhesive collar, refer to www.vanluk.co.nz

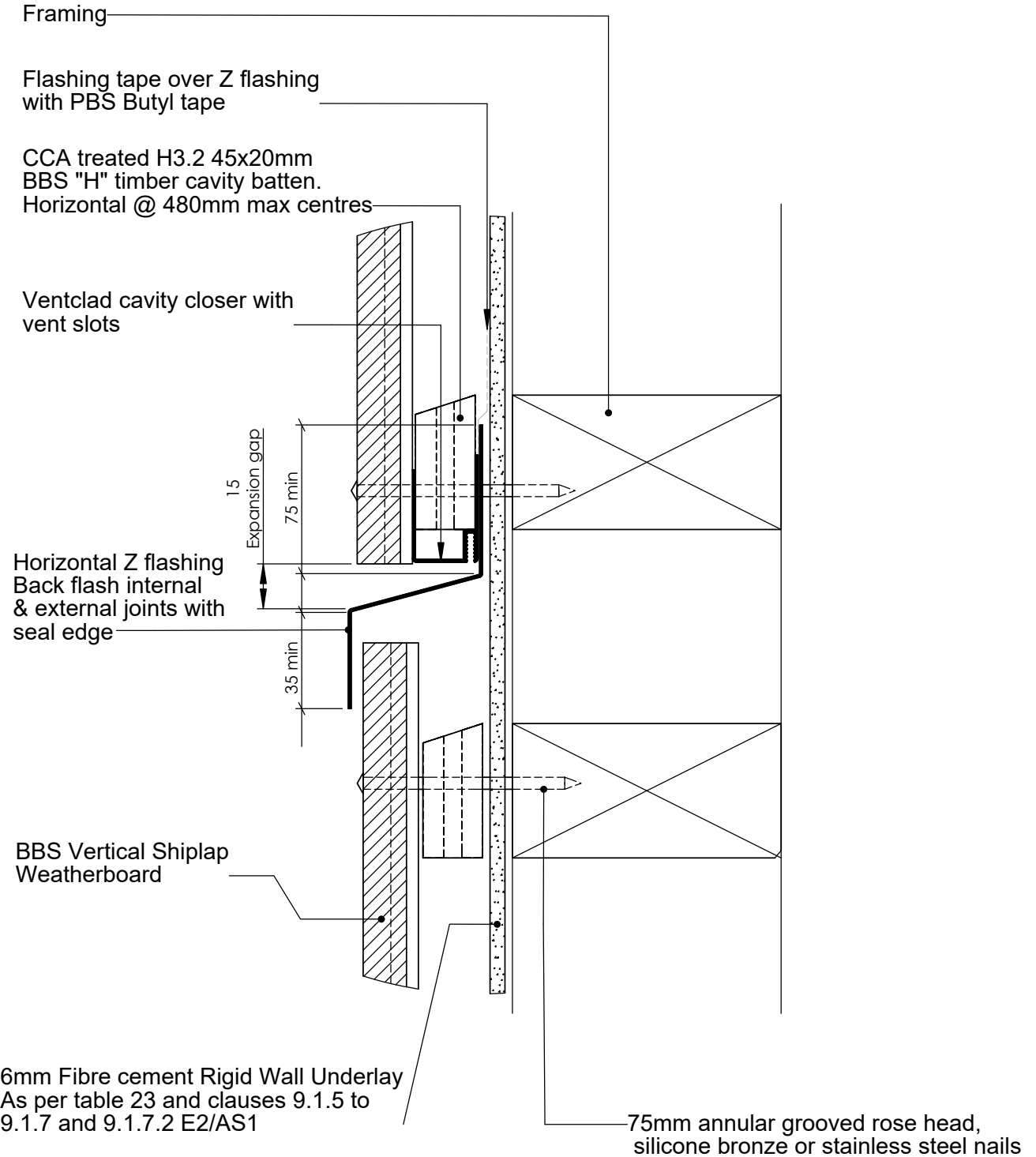
BBS Vertical Shiplap
Weatherboard



TITLE:					copyright BBS Timbers LTD ©		Pipe Penetration Detail	
	NAME	SIGNATURE	DATE	Rev		27 Kioreroa road PO Box 1407 Whangarei 09 438 9358	DWG NO.	A4
DRAWN							VC-RB-12	
CHK'D								
APP'VD							SCALE:1:20 DNS	SHEET 1 OF 1

Notes:

- All nail fixings pre-drilled minimum 1mm diameter smaller than nail gauge
- All products to be pre-coated & cut edges to be sealed as per Branz Bulletin 411
- All materials and fixtures are to comply with E2/AS1 clause 2.2
- Provide PVC tape bond break between H3.2 battens and any flashing
- Vertical Shiplap profiles to be fixed with a minimum 2mm gap at the overlap between boards
- Rigid & Flexible underlay as per table 23 and clauses 9.1.5 to 9.1.7
- Timber to NZBC B2 durability B2.3.1 (b), Western Red Cedar, Larch



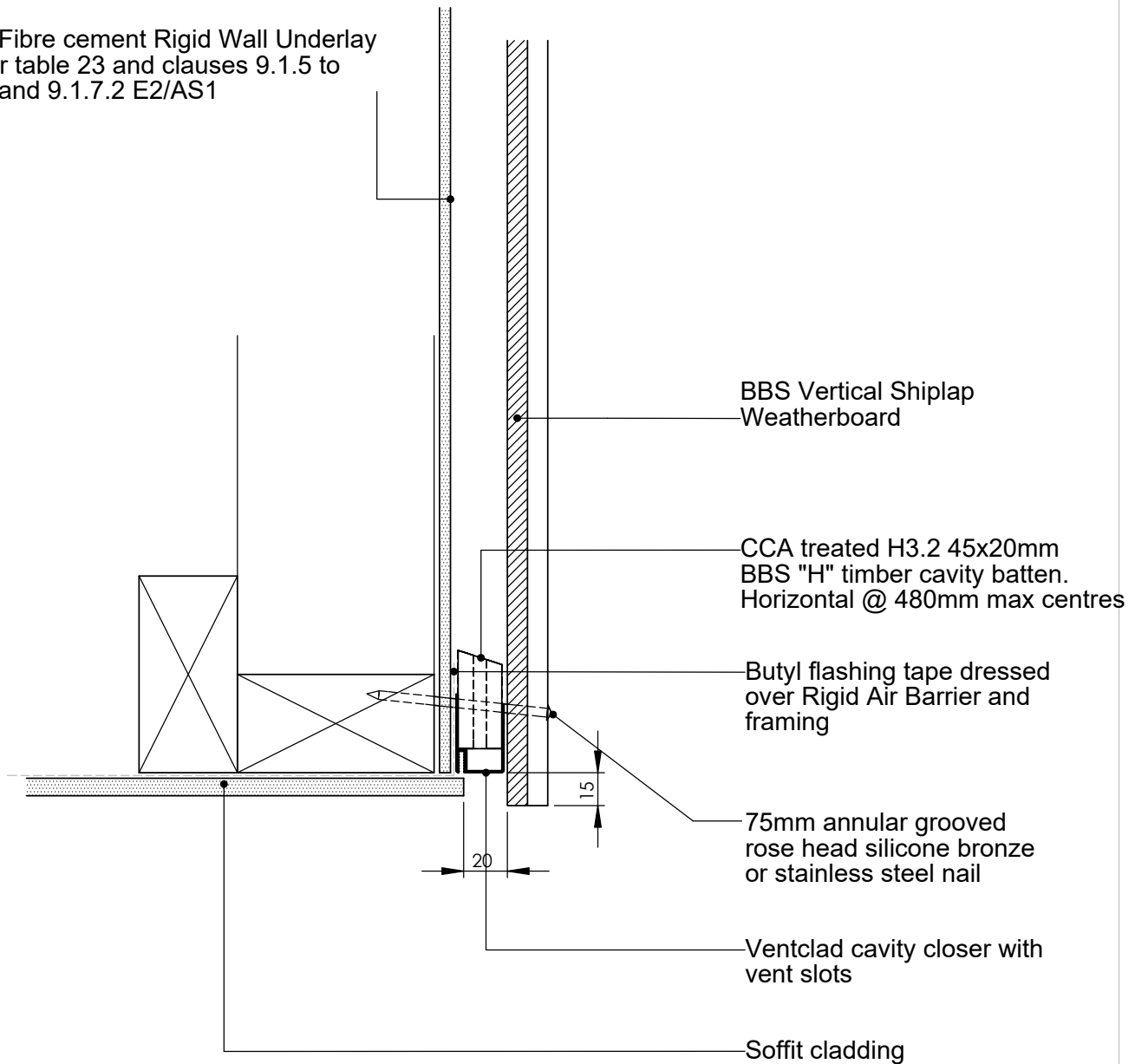
TITLE:				Horizontal Joint Detail	
NAME	SIGNATURE	DATE		DWG NO.	A4
DRAWN				VC-RB-13	
CHK'D					
APPV'D				SCALE:1:10 DNS	SHEET 1 OF 1



Notes:

- All nail fixings pre-drilled minimum 1mm diameter smaller than nail gauge
- All products to be pre-coated & cut edges to be sealed as per Branz Bulletin 411
- All materials and fixtures are to comply with E2/AS1 clause 2.2
- Provide PVC tape bond break between H3.2 battens and any flashing
- Vertical Shiplap profiles to be fixed with a minimum 2mm gap at the overlap between boards
- Rigid & Flexible underlay as per table 23 and clauses 9.1.5 to 9.1.7
- Timber to NZBC B2 durability B2.3.1 (b), Western Red Cedar, Larch

6mm Fibre cement Rigid Wall Underlay
As per table 23 and clauses 9.1.5 to 9.1.7 and 9.1.7.2 E2/AS1

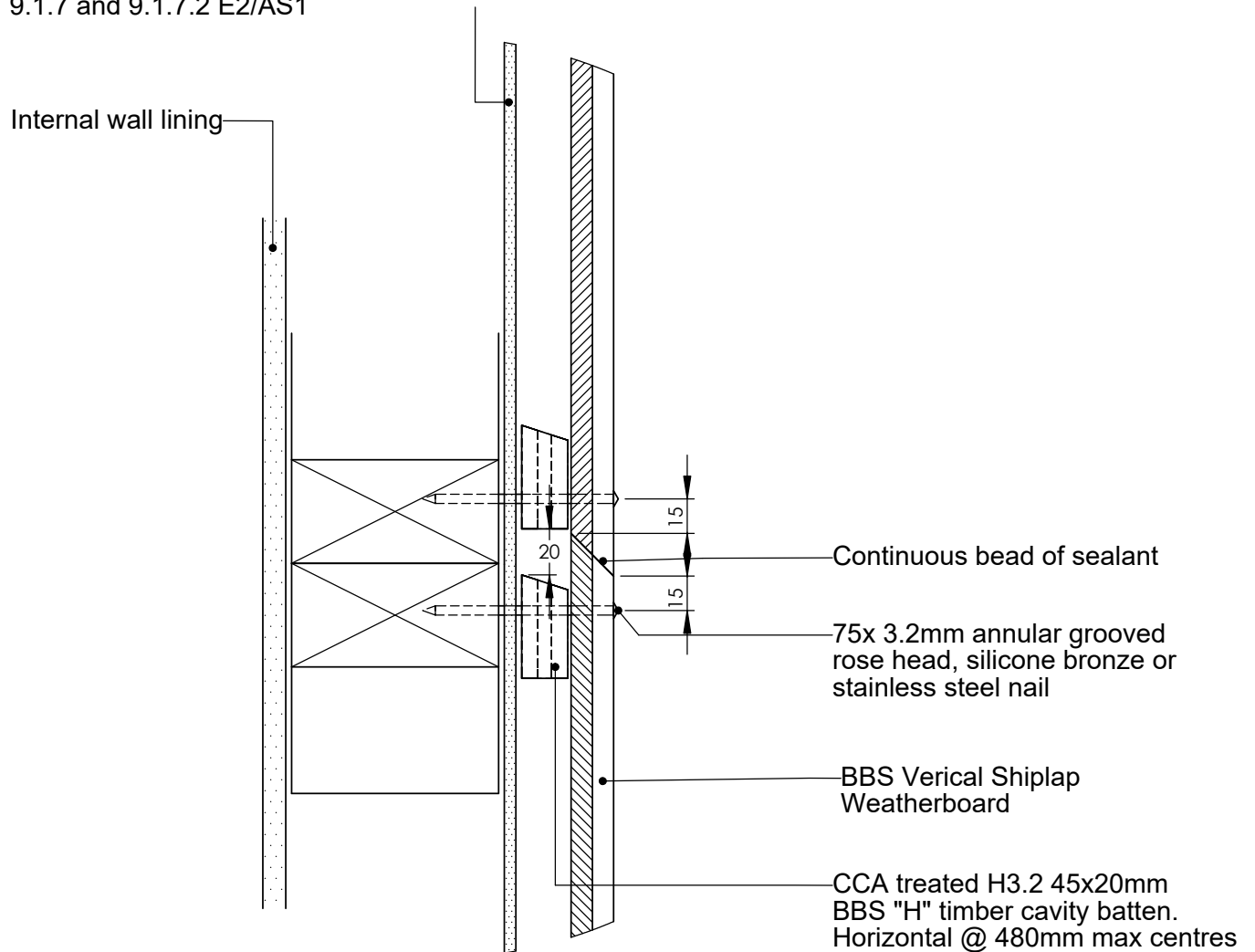


TITLE:					copyright BBS Timbers LTD ©		Soffit detail	
	NAME	SIGNATURE	DATE	Rev	 27 Kioreroa road PO Box 1407 Whangarei 09 438 9358	DWG NO.	VC-RB-14	A4
DRAWN						SCALE:1:10		
CHK'D								
APP'VD								

Notes:

- All nail fixings pre-drilled minimum 1mm diameter smaller than nail gauge
- All products to be pre-coated & cut edges to be sealed as per Branz Bulletin 411
- All materials and fixtures are to comply with E2/AS1 clause 2.2
- Provide PVC tape bond break between H3.2 battens and any flashing
- Vertical Shiplap profiles to be fixed with a minimum 2mm gap at the overlap between boards
- Rigid & Flexible underlay as per table 23 and clauses 9.1.5 to 9.1.7
- Timber to NZBC B2 durability B2.3.1 (b), Western Red Cedar, Larch

6mm Fibre cement Rigid Wall Underlay
 As per table 23 and clauses 9.1.5 to
 9.1.7 and 9.1.7.2 E2/AS1



TITLE:					copyright BBS Timbers LTD ©		Scarf jointing detail	
	NAME	SIGNATURE	DATE	Rev		27 Kioreroa road PO Box 1407 Whangarei 09 438 9358	DWG NO.	A4
DRAWN							VC-RB-15	
CHK'D								
APPVD							SCALE:1:10 DNS	SHEET 1 OF 1

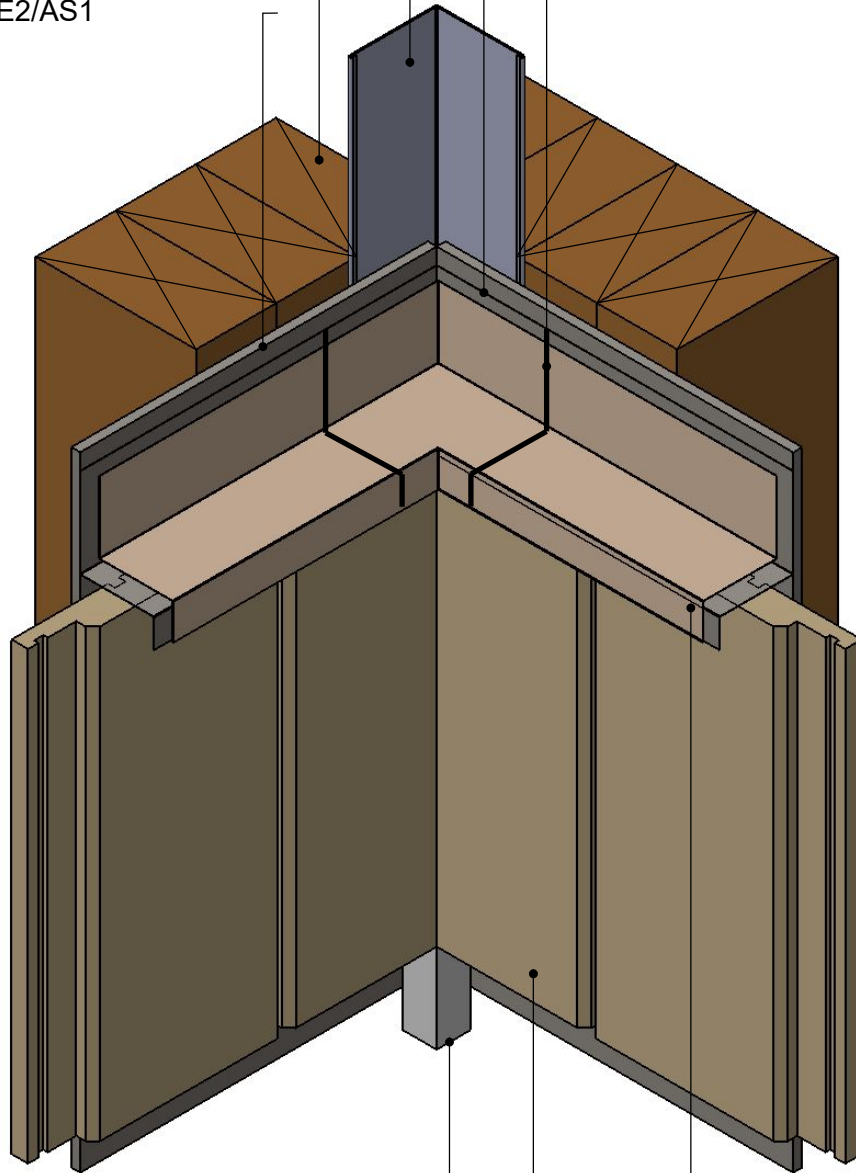
Minimum 50x50 internal flashing
hem folds compatibility to comply
with NZBC E2/AS1

Framing

6mm Fibre cement Rigid Wall Underlay
As per table 23 and clauses 9.1.5 to
9.1.7 and 9.1.7.2 E2/AS1

150x150 under flashing

Continuous bead of
flexible sealant

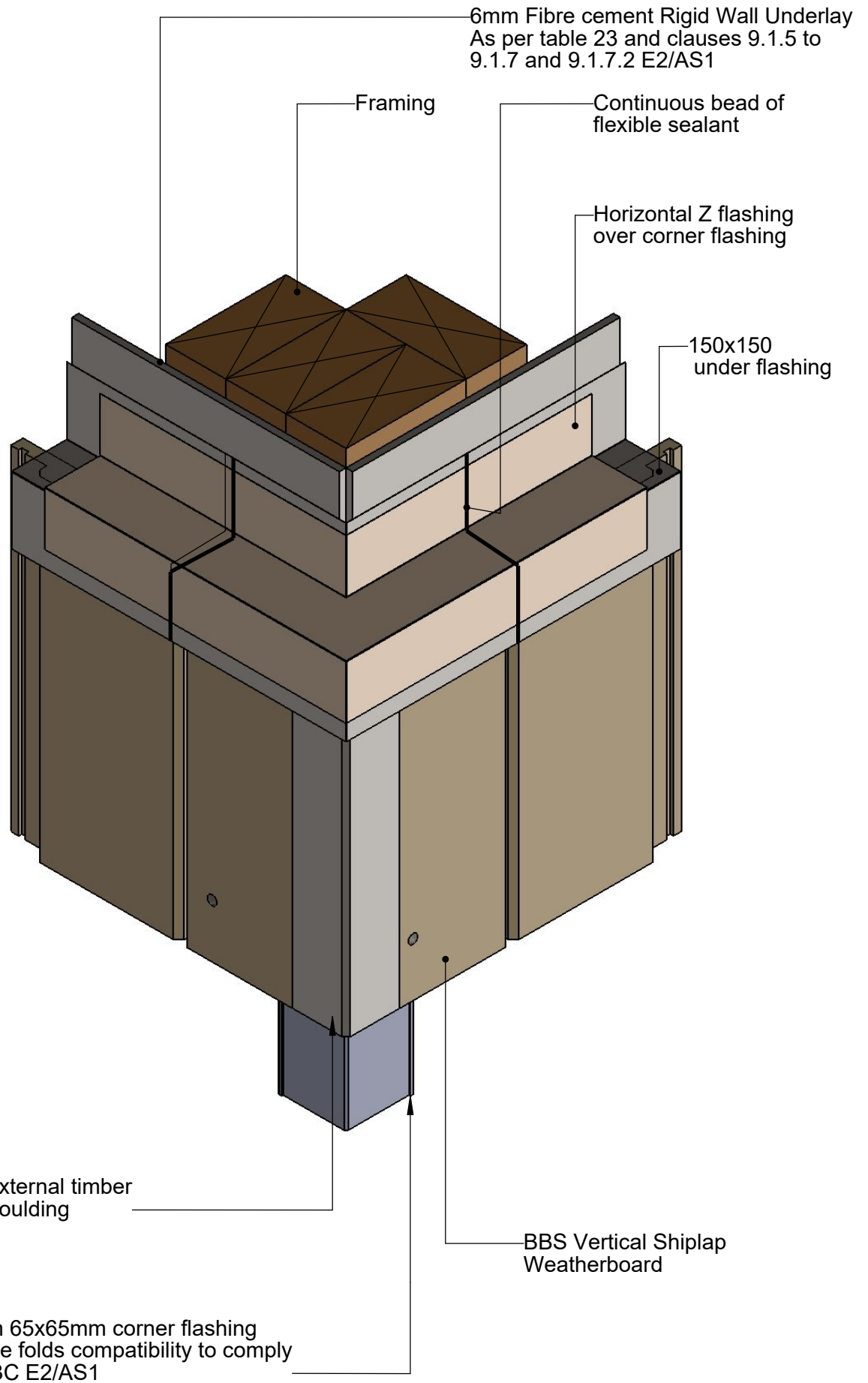


BBS41 19x19mm
internal timber corner
mould

BBS Vertical Shiplap Weatherboard

Horizontal Z flashing over corner
flashing

TITLE:					copyright BBS Timbers LTD ©		Internal Corner Detail	
	NAME	SIGNATURE	DATE	Rev	 27 Kioreroa road PO Box 1407 Whangarei 09 438 9358	DWG NO.	A4	
DRAWN						VC-RB-16		
CHK'D								
APP'VD						SCALE:1:10 DNS	SHEET 1 OF 1	



TITLE:					copyright BBS Timbers LTD ©		External corner detail	
	NAME	SIGNATURE	DATE	Rev	 27 Kioreroa road PO Box 1407 Whangarei 09 438 9358	DWG NO.	A4	
DRAWN						VC-RB-17		
CHK'D								
APPVD						SCALE:1:5 DNS	SHEET 1 OF 1	

Notes:

- All nail fixings pre-drilled minimum 1mm diameter smaller than nail gauge
- All products to be pre-coated & cut edges to be sealed as per Branz Bulletin 411
- All materials and fixtures are to comply with E2/AS1 clause 2.2
- Provide PVC tape bond break between H3.2 battens and any flashing
- Vertical Shiplap profiles to be fixed with a minimum 2mm gap at the overlap between boards
- Rigid & Flexible underlay as per table 23 and clauses 9.1.5 to 9.1.7
- Timber to NZBC B2 durability B2.3.1 (b), Western Red Cedar, Larch

80mm PBS Butyl tape lapped evenly to corner over a 100mm strip PBS Butyl primer

CCA treated H3.2 45x20mm BBS "V" timber cavity batten

9x9 compressible foam strip

Minimum 50x50mm internal flashing hem edge folds compatibility to comply with NZBC E2/AS1

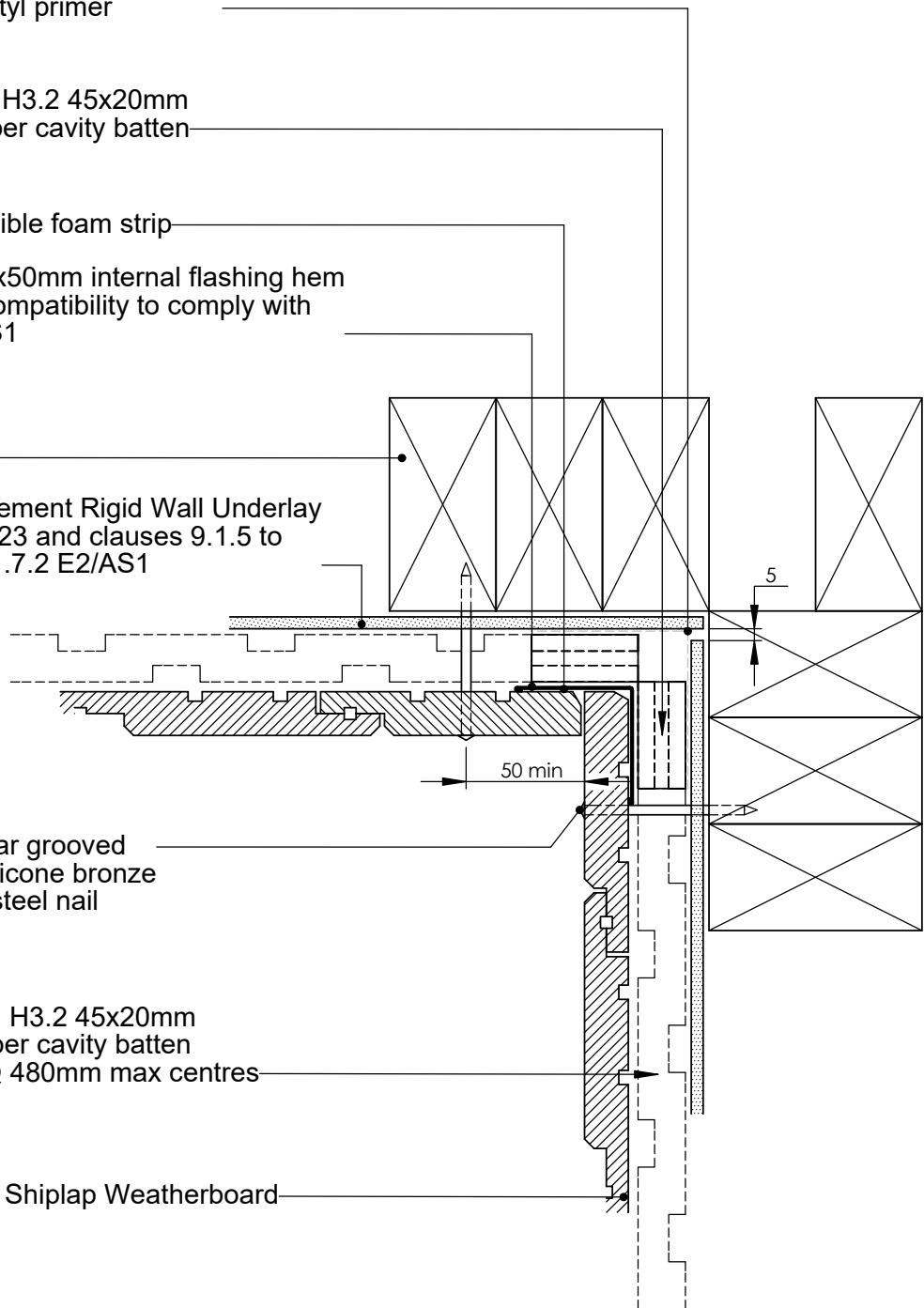
Framing

6mm Fibre cement Rigid Wall Underlay As per table 23 and clauses 9.1.5 to 9.1.7 and 9.1.7.2 E2/AS1

75mm annular grooved rose head silicone bronze or stainless steel nail

CCA treated H3.2 45x20mm BBS "H" timber cavity batten Horizontal @ 480mm max centres

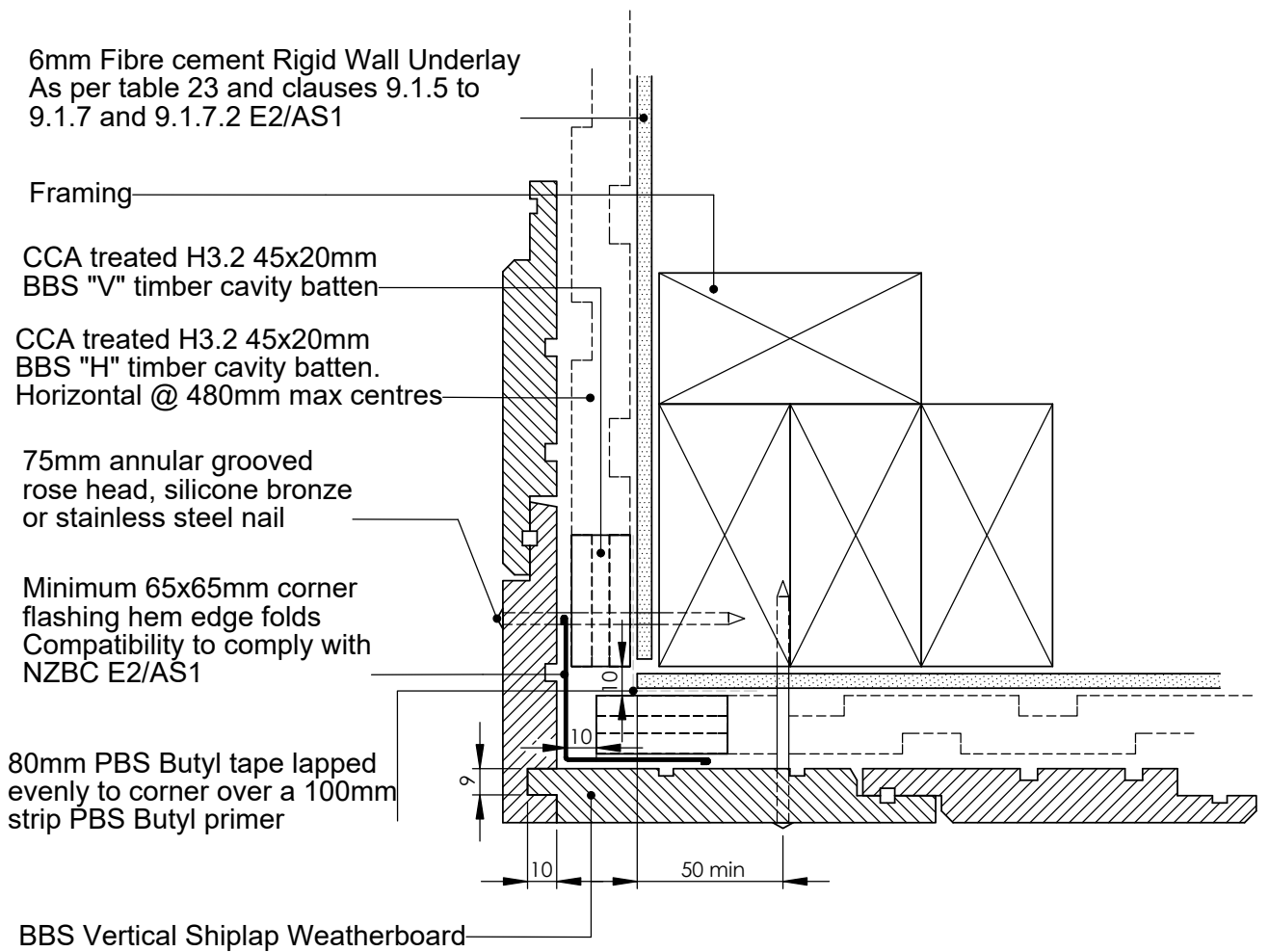
BBS Vertical Shiplap Weatherboard



TITLE:					copyright BBS Timbers LTD ©		Internal Corner Detail	
	NAME	SIGNATURE	DATE	Rev		27 Kioreroa road PO Box 1407 Whangarei 09 438 9358	DWG NO.	A4
DRAWN							VC-RB-19	
CHK'D								
APP'VD							SCALE:1:1 DNS	SHEET 1 OF 1

Notes:

- All nail fixings pre-drilled minimum 1mm diameter smaller than nail gauge
- All products to be pre-coated & cut edges to be sealed as per Branz Bulletin 411
- All materials and fixtures are to comply with E2/AS1 clause 2.2
- Provide PVC tape bond break between H3.2 battens and any flashing
- Vertical Shiplap profiles to be fixed with a minimum 2mm gap at the overlap between boards
- Rigid & Flexible underlay as per table 23 and clauses 9.1.5 to 9.1.7
- Timber to NZBC B2 durability B2.3.1 (b), Western Red Cedar, Larch

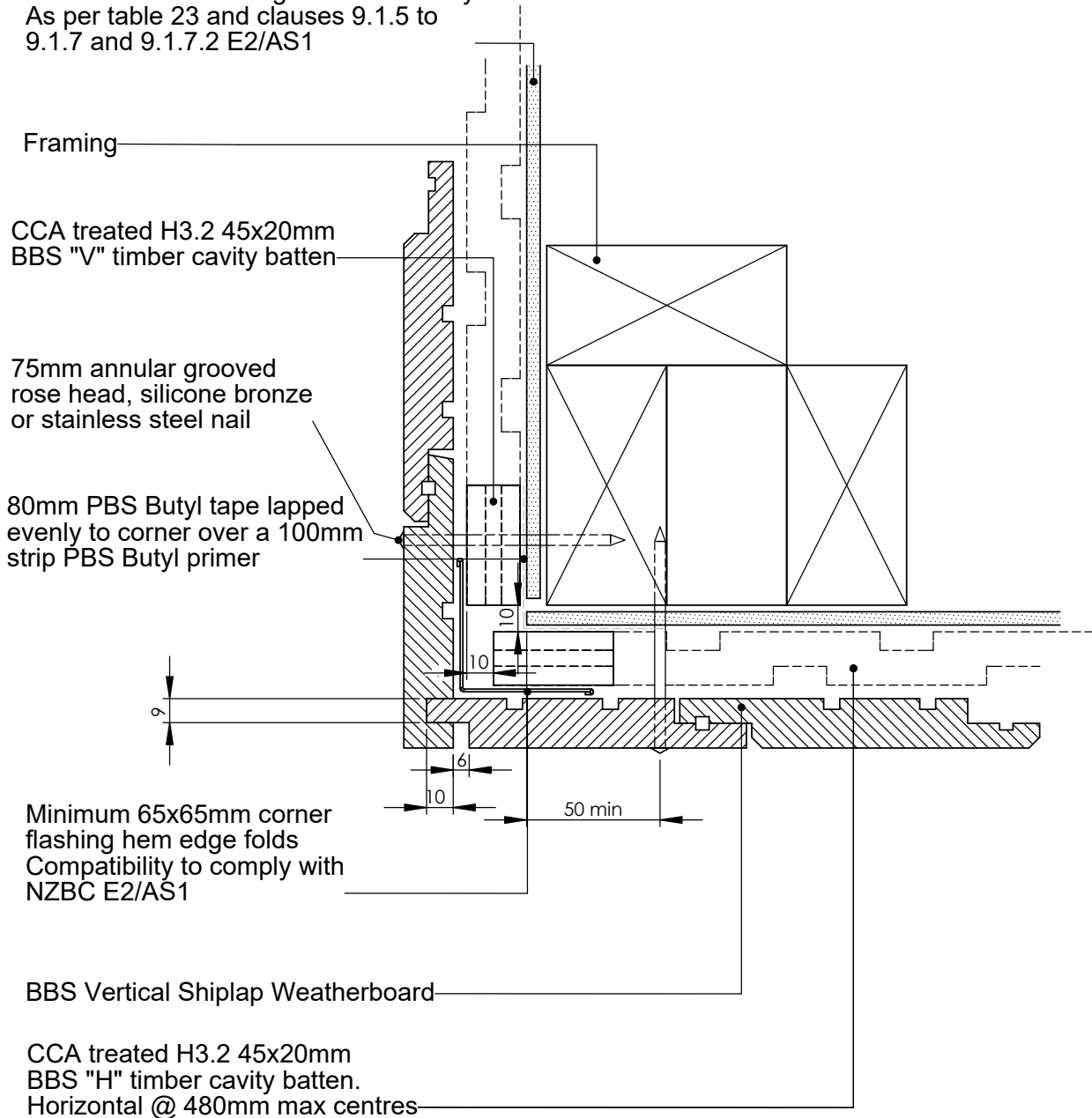


TITLE:					copyright BBS Timbers LTD ©		External corner detail		
	NAME	SIGNATURE	DATE	Rev	 27 Kioreroa road PO Box 1407 Whangarei 09 438 9358	DWG NO.	VC-RB-20	A4	
DRAWN						SCALE:1:5			DNS
CHK'D									
APP'VD									

Notes:

- All nail fixings pre-drilled minimum 1mm diameter smaller than nail gauge
- All products to be pre-coated & cut edges to be sealed as per Branz Bulletin 411
- All materials and fixtures are to comply with E2/AS1 clause 2.2
- Provide PVC tape bond break between H3.2 battens and any flashing
- Vertical Shiplap profiles to be fixed with a minimum 2mm gap at the overlap between boards
- Rigid & Flexible underlay as per table 23 and clauses 9.1.5 to 9.1.7
- Timber to NZBC B2 durability B2.3.1 (b), Western Red Cedar, Larch

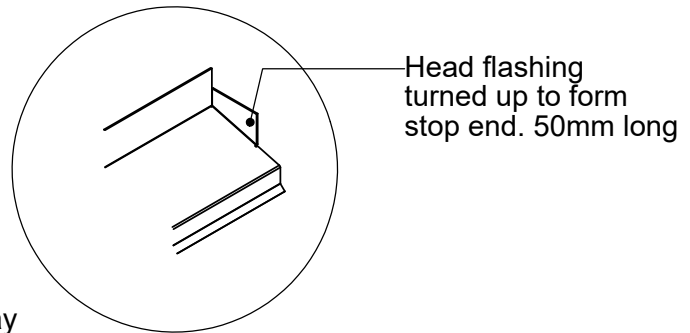
6mm Fibre cement Rigid Wall Underlay
As per table 23 and clauses 9.1.5 to 9.1.7 and 9.1.7.2 E2/AS1



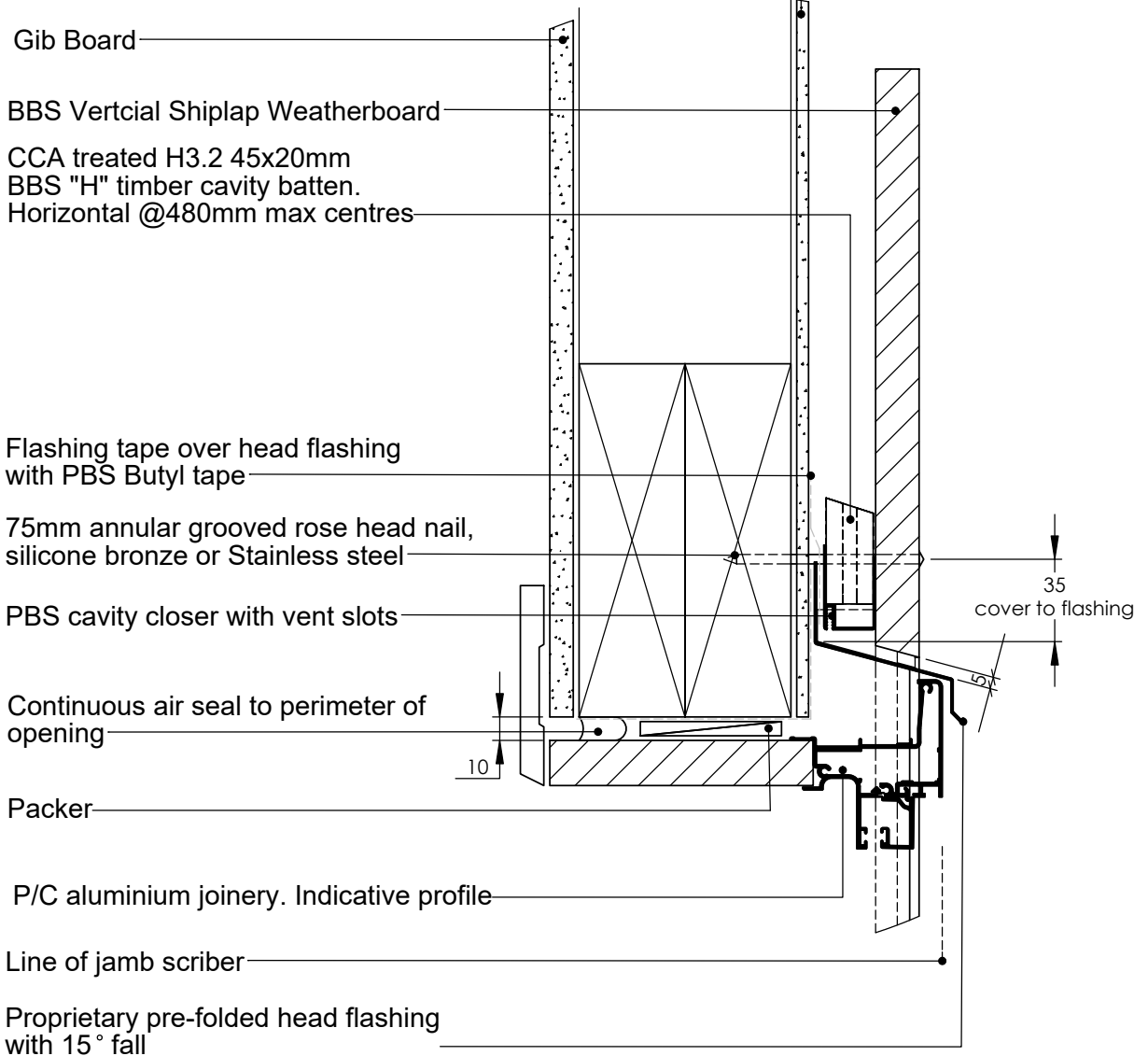
TITLE:					copyright BBS Timbers LTD ©		External corner detail	
DRAWN	NAME	SIGNATURE	DATE	Rev	 27 Kioreroa road PO Box 1407 Whangarei 09 438 9358	DWG NO.	VC-RB-21	A4
CHK'D						SCALE:1:5		
APP'VD								

Notes:

- All nail fixings pre-drilled minimum 1mm diameter smaller than nail gauge
- All products to be pre-coated & cut edges to be sealed as per Branz Bulletin 411
- All materials and fixtures are to comply with E2/AS1 clause 2.2
- Provide PVC tape bond break between H3.2 battens and any flashing
- Vertical Shiplap profiles to be fixed with a minimum 2mm gap at the overlap between boards
- Rigid & Flexible underlay as per table 23 and clauses 9.1.5 to 9.1.7
- Timber to NZBC B2 durability B2.3.1 (b), Western Red Cedar, Larch



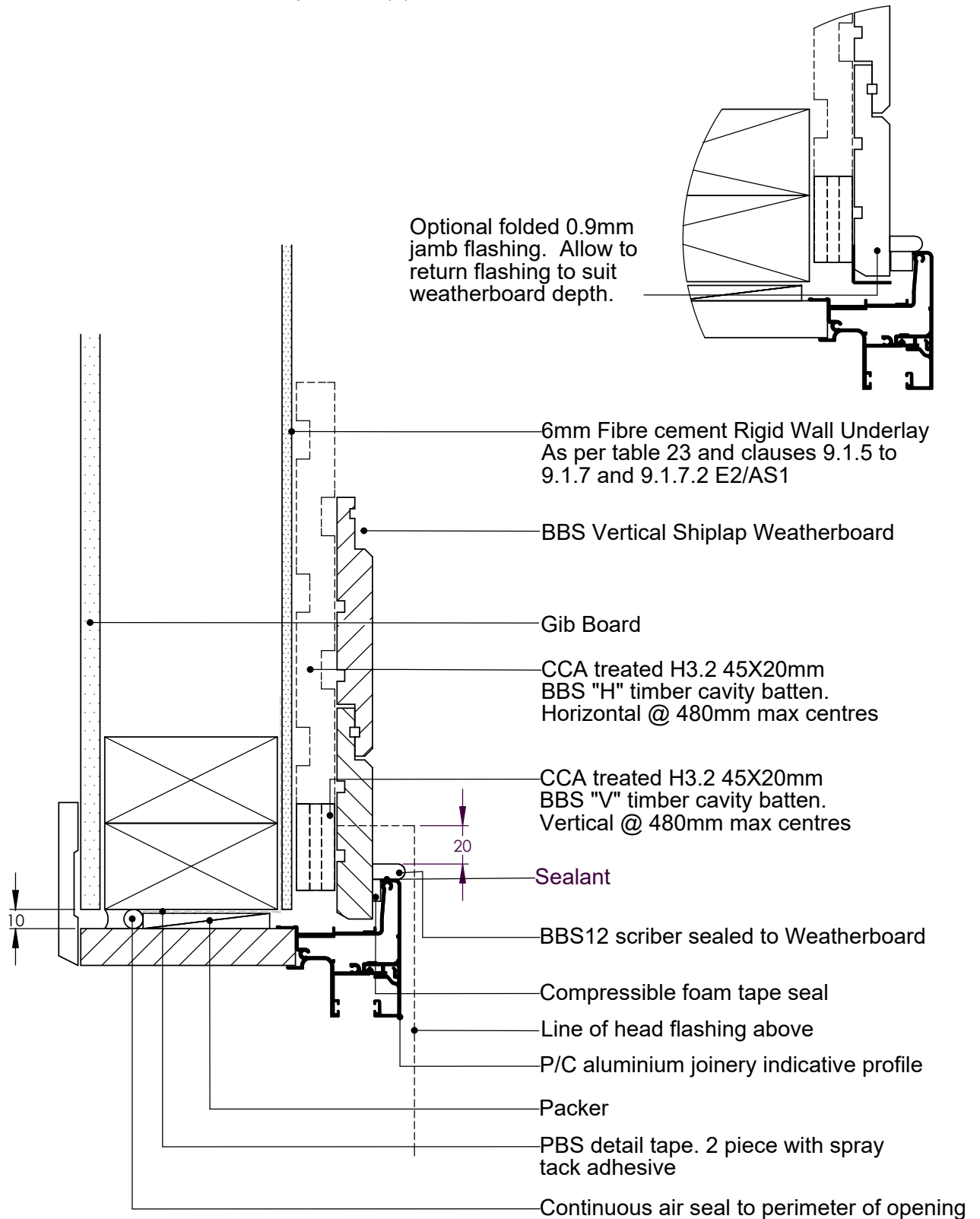
6mm Fibre cement Rigid Wall Underlay
As per table 23 and clauses 9.1.5 to 9.1.7 and 9.1.7.2 E2/AS1



TITLE:					copyright BBS Timbers LTD ©		Aluminium Head Detail	
DRAWN	NAME	SIGNATURE	DATE	Rev		27 Kioreroa road PO Box 1407 Whangarei 09 438 9358	DWG NO.	A4
CHK'D							VC-RB-30-H	
APP'VD							SCALE:1:10 DNS	SHEET 1 OF 1

Notes:

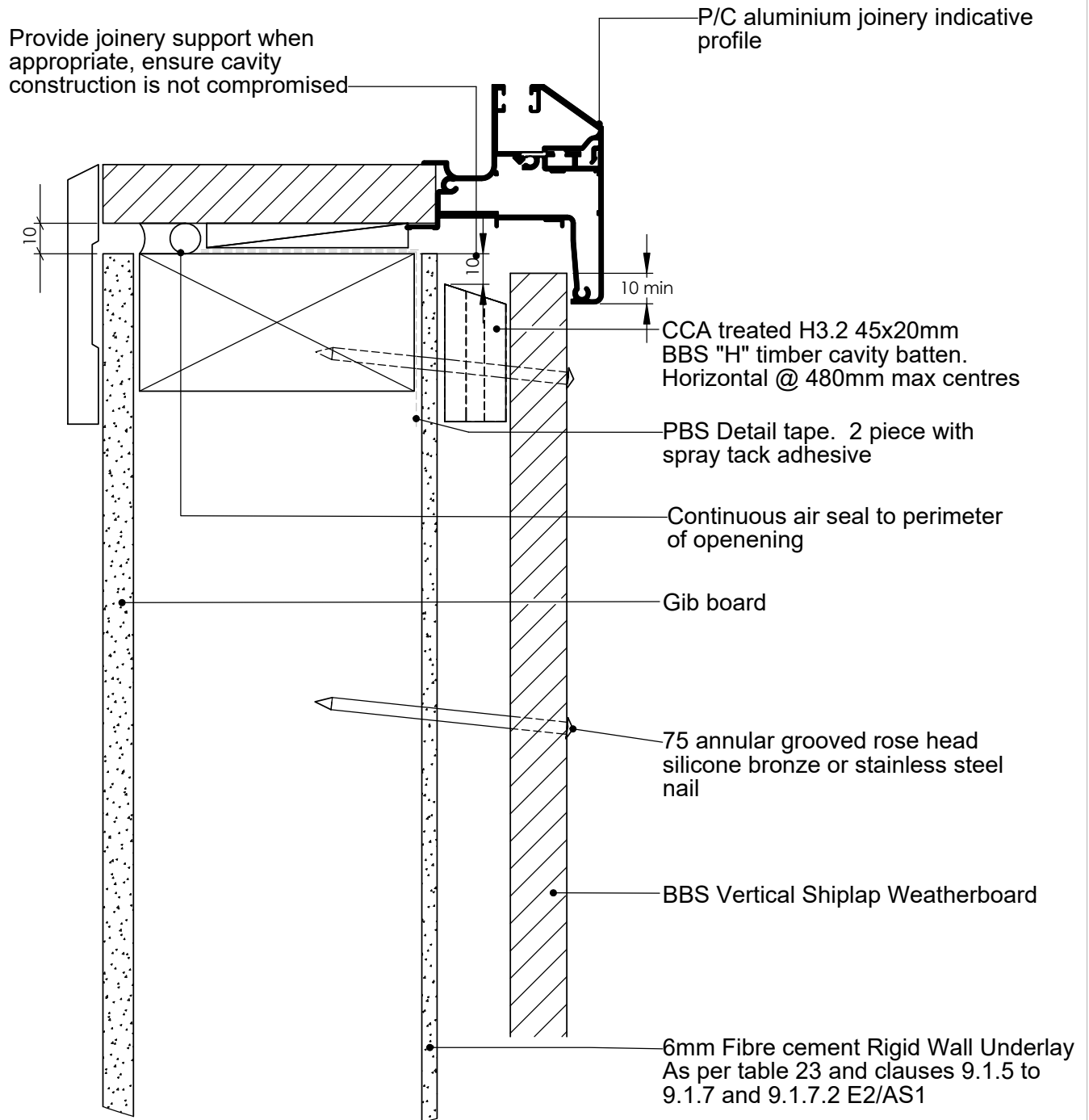
- All nail fixings pre-drilled minimum 1mm diameter smaller than nail gauge
- All products to be pre-coated & cut edges to be sealed as per Branz Bulletin 411
- All materials and fixtures are to comply with E2/AS1 clause 2.2
- Provide PVC tape bond break between H3.2 battens and any flashing
- Vertical Shiplap profiles to be fixed with a minimum 2mm gap at the overlap between boards
- Rigid & Flexible underlay as per table 23 and clauses 9.1.5 to 9.1.7
- Timber to NZBC B2 durability B2.3.1 (b), Western Red Cedar, Larch



TITLE:					copyright BBS Timbers LTD ©		Aluminium Jamb Detail	
	NAME	SIGNATURE	DATE	Rev		27 Kioreroa road PO Box 1407 Whangarei 09 438 9358	DWG NO.	A4
DRAWN							VC-RB-31-J	
CHK'D								
APP'VD								
						SCALE:1:10	DNS	SHEET 1 OF 1

Notes:

- All nail fixings pre-drilled minimum 1mm diameter smaller than nail gauge
- All products to be pre-coated & cut edges to be sealed as per Branz Bulletin 411
- All materials and fixtures are to comply with E2/AS1 clause 2.2
- Provide PVC tape bond break between H3.2 battens and any flashing
- Vertical Shiplap profiles to be fixed with a minimum 2mm gap at the overlap between boards
- Rigid & Flexible underlay as per table 23 and clauses 9.1.5 to 9.1.7
- Timber to NZBC B2 durability B2.3.1 (b), Western Red Cedar, Larch



TITLE:					copyright BBS Timbers LTD ©		Aluminium Sill Detail	
	NAME	SIGNATURE	DATE	Rev		27 Kioreroa road PO Box 1407 Whangarei 09 438 9358	DWG NO.	A4
DRAWN							VC-RB-32-S	
CHK'D								
APPVD								
						SCALE:1:10 DNS		SHEET 1 OF 1