



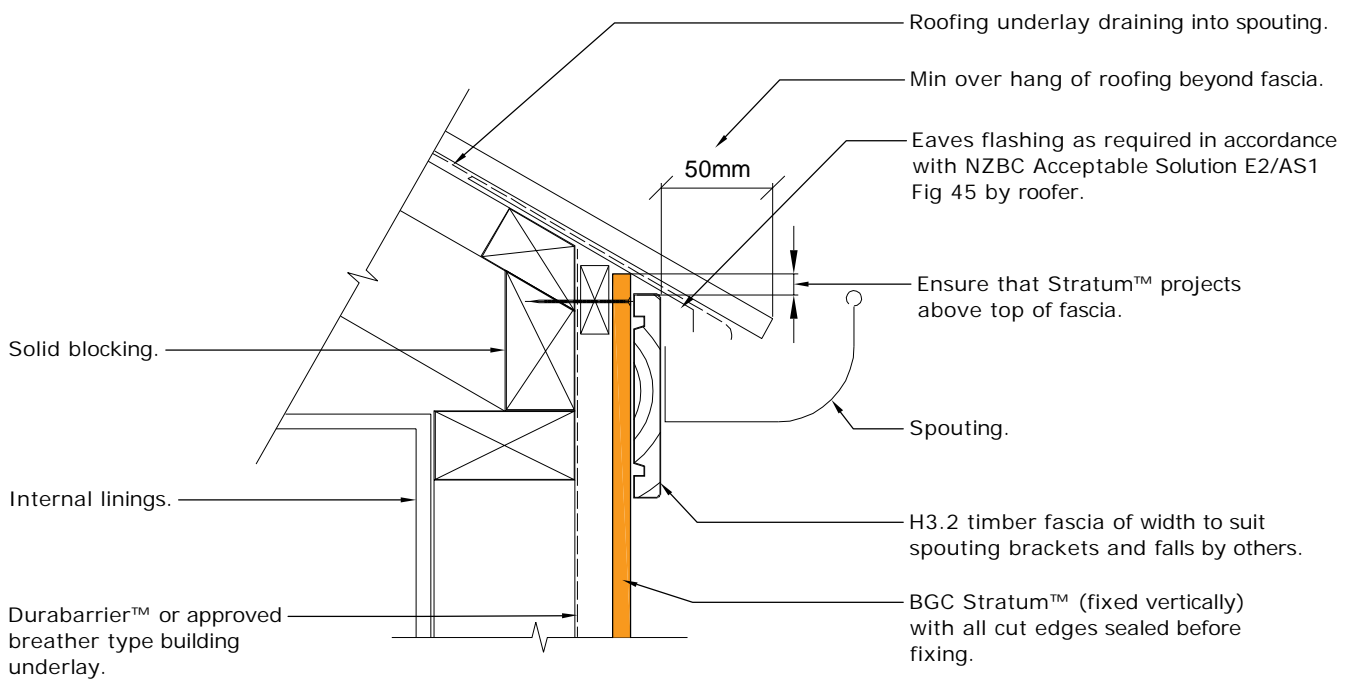
Fibre Cement

Cavity Batten Note:

Refer to cavity batten layout for batten sizes, types, spacing's & fixings

Cladding fixing note:

Refer to cladding fixing layout for all fixing types & spacing's



PROFILE **BGC Stratum™ and Stratum™ Duo**
(Vertical Installation)
DETAIL **Eaves With No Soffit Detail**
Cavity Construction

DATE **May 2019**
SCALE **1:5 @ A4**
DETAIL NO. **SV-15**