

# Zenith Soap Dispenser

Automatic Soap Dispenser



29013NZ - Zenith Liquid Soap Dispenser Stainless Steel

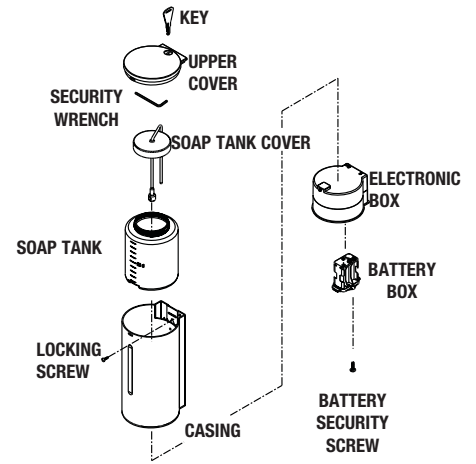
zenith<sup>o</sup>  
instant boiling water

### 1. SPECIFICATIONS :

Dimensions W x H x D	115 x 240 x 125 mm (4.5" x 9.4" x 4.9")
Soap Tank Capacity	1000ml
Battery	6pcs of Alkaline AA (1.5V) (Not Included)
Detection Range	Automatic Adjustment
Room Temperature	5°C~40°C
Sensing Delay Time	0.5 ~ 1 sec
Dispensing Time	Period Max 5 sec (Default 1 sec) Adjustable
Dispensed Soap Quantity	about 1.0 ml
Applicable Liquid Soap Viscosity	1 ~ 3500 mPa*s (cP)

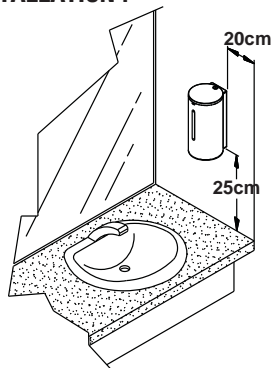
### 2. PACKING LIST :

	Illustration	Description	Qty
1		Soap Dispenser	1 Set
2		Installation Instruction	1 Pc
3		Installation Template	1 Pc
4		Key	2 Pcs
5		Plastic Dowel	3 Pcs
6		Fixing Screw	2 Pcs
7		Locking Screw	1 Pc
8		Battery AA 1.5V (Not Included)	6 Pcs
9		Battery Security Screw	1 Pc



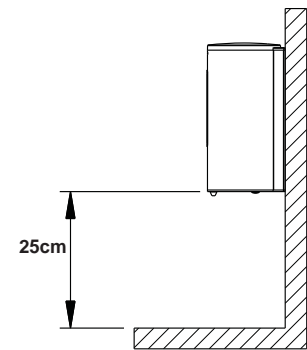
ITEM	DESCRIPTION	KIT NO.
1	ELECTRONIC BOX W/ BATTERY COVER KIT	99157
2	UPPER COVER ASSY W/ SECURITY KEY KIT	99158
3	SOAP TANK KIT	99159
4	BATTERY BOX ASSEMBLY KIT	99160
5	KEY (METAL) KIT	99161

### 3. RECOMMENDED INSTALLATION :



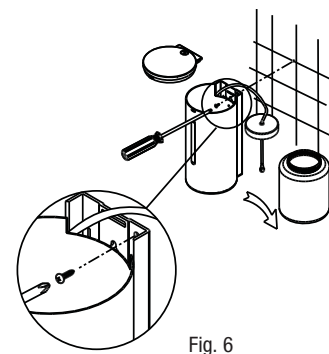
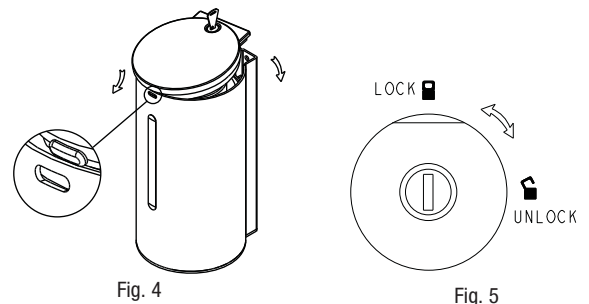
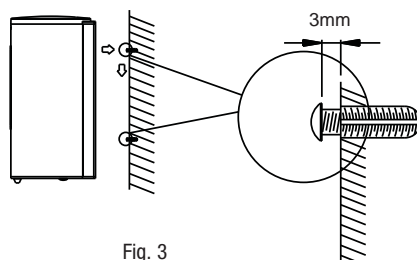
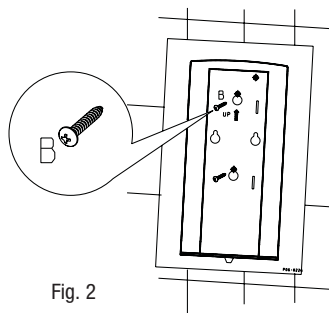
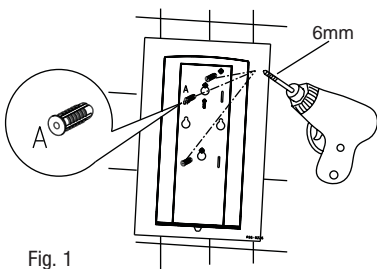
### 4. BEFORE INSTALLATION :

1. Check if surface of wall is smooth and clean.
2. Distance between sensor and bench-top should be more than or equal to 25cm.



### 5. INSTALLATION STEPS:

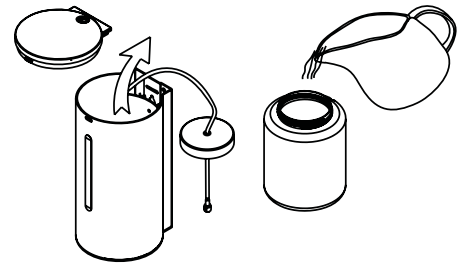
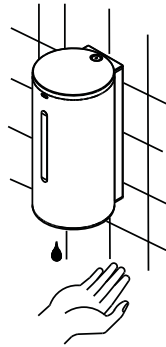
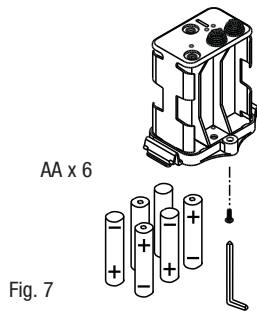
1. Paste the Installation Template at the appropriate location on the wall.
2. Drill three  $\phi 6$ mm holes and insert plastic dowels. (Fig. 1)
3. Insert two screws into dowels and tighten. Leave about 3mm gap between the screw and the wall to hang the soap dispenser. (Fig. 2 and Fig.3)
4. Hang the dispenser on two fixing screws by the back plate holes of the dispenser.
5. Remove the soap dispenser lid using the key to unlock. (Fig. 4 and Fig. 5)
6. Remove soap tank, then lock dispenser to wall with locking screw provided. (Fig 6.)



## 6. OPERATION INSTRUCTIONS :

### A. Service Instructions

1. Open the upper cover using the key provided. (The security wrench for battery box is attached in the upper cover.)
2. Remove cover from battery box, put 6 pcs of Alkaline AA 1.5V batteries into the battery box, put box back into original casing and close with cover. (Fig. 7)
3. Remove soap tank, open it and pour liquid soap into the container. Close properly. Should any soap spill over the outside of the container, it must be cleaned thoroughly. Replace clean soap container in its original position. Close the casing and lock it.
4. Place your hands under the dispenser. The LED will turn on and the dispenser will release a portion of liquid soap.
5. When using for the first time, repeat that process a few times to order to fill the system.
6. A flashing LED will indicate low battery. Replace batteries with new ones. If problem persists, contact your dealer.



### B. Users Instructions

1. Put palm of your hand under the dispenser. The sensor will activate and the motor will release 1ml of liquid soap. If you need more soap, repeat the movement a few times, waiting at least 1 second before you replace your hand under the unit. Do not scoop soap from the nozzle as this may lead to damage. (Fig. 8)
2. To safeguard the sensitive electrical components inside the dispenser, always remove the soap tank completely from housing during re-fill. **NEVER** attempt to fill when the soap tank is still in the dispenser housing unit. (Fig. 9)

Notice: Should the dispenser be out of order and batteries have been replaced, do not attempt any repair work. Call your dealer for professional assistance.

## 7. INSTALLATION CHECK :

1. Check if soap dispenser is firmly fixed to the wall.
2. Check if soap container cover is closed properly and no soap is leaking.
3. Use 6 pieces of new Alkaline AA (1.5V) batteries. Ensure that the batteries are installed properly and in the right direction (observe +/- indication).
4. Once batteries are installed and casing is closed, a red light will flash 4 times to indicate normal function.
5. Make sure soap dispenser is locked properly using the key provided.
6. Ensure that the battery cover is secured with battery security screw.

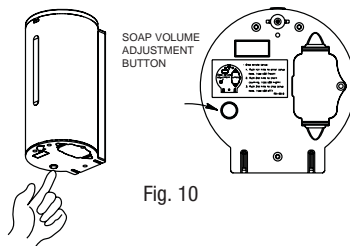


**Caution:** Placing of the batteries in an incorrect Position may cause a malfunction.

## 8. SENSING RANGE AND SOAP VOLUME ADJUSTMENT:

- The sensing range is automatically self-adjusting.
- Dispenser will detect the incoming object and adjust the sensing range dynamically.
- Drop volume setup: (Fig. 10)

1. Push 1st time to enter setup mode (See LED flash)
2. Push 2nd time to start counting (See LED light)
3. Push 3rd time to stop setup mode (See LED <sup>off</sup>)



## 9. IMPORTANT NOTICE :

1. Ensure no light source is aimed at the sensor from below.
2. Use a pure liquid soap only and clean the soap container properly before each re-fill. Deposits of old soap will lead to malfunction and jamming.
3. Do not dilute liquid soap and do not use grain containing soap. Observe specified viscosity factor of liquid soap.
4. Do not immerse the soap dispenser in water or clean it under running water. This will lead to short circuit.
5. Should the dispenser be out of order and batteries have been replaced, do not attempt any repair work. Call your dealer for professional assistance.

## 10. BATTERY LOW INDICATION :

- Stage 1: LED flashing indicate battery is low and sensing function is still working.
- Stage 2: LED always lights up and without sensing function. Battery is nearly exhausted.

## 11. TROUBLE SHOOTING (FOR QUALIFIED ELECTRICIAN USE ONLY) :

Problem	Solution
LED does not indicate	- Check batteries and ensure that they are new and properly inserted. - Check sensor cover for stain. Clean unit properly.
LED flashes when unit is not used	- Low voltage: Change batteries (Fig. 7) - Sensor is activated constantly. Remove the object below the sensor. - If above does not help, contact your dealer for professional assistance.
No soap discharges when motor works	- Obstructed soap dispenser nozzle. Clean soap container or change it. - Check if soap is not liquid enough (viscosity as per specification).
Insufficient soap is released	- Soap has hardened: use unit fro several times or remove soap container and wash it thoroughly. - Soap nozzle is obstructed: wash soap container and use unit continuously until normal soap quantity is dispensed.

For all other enquiries call you local deal for technical assistance.

## Contact Details

### Registering your product:

Registering your installation on the HydroTap Company website may help to establish date of installation, should it become necessary to service the appliance, under the terms of the Hydrotap Company warranty. To register your installation go to [www.thehydrotapcompany.com](http://www.thehydrotapcompany.com) and look under the heading "Warranty".

### Head Office

The HydroTap Company Limited,  
Unit 2/15 Moselle Avenue,  
Henderson.  
Auckland. 0610  
New Zealand.

[www.thehydrotapcompany.com](http://www.thehydrotapcompany.com)

Telephone: 0800 558055  
Facsimile: 0800 559055

In order to help preserve our environment we ask that you dispose of this product correctly. Please contact your local city council for collection centre details

**zenith<sup>o</sup>**  
instant boiling water

As The HydroTap Company policy is one of continuous product improvement, changes to specifications may be made without prior notice. Images in this booklet have been modified and may not be true representations of the finished goods.