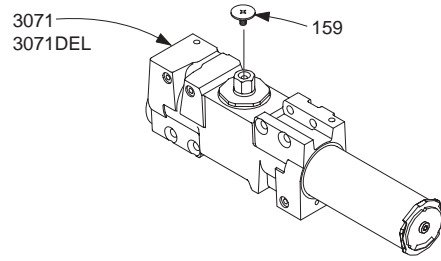


LCN 4040 SERIES "SUPER SMOOTHIE"

Cylinder Assemblies

4041-3071	Cylinder Assembly	F
	<i>Includes screw pack (SRT standard – please specify other)</i>	
	<i>Size '1' cylinder is adjustable from size 1-6</i>	
4041-3071DEL	Cylinder Assembly w/Delay	F
	<i>Includes screw pack (SRT standard – please specify other)</i>	
	<i>Size '1' cylinder is adjustable from size 1-6</i>	



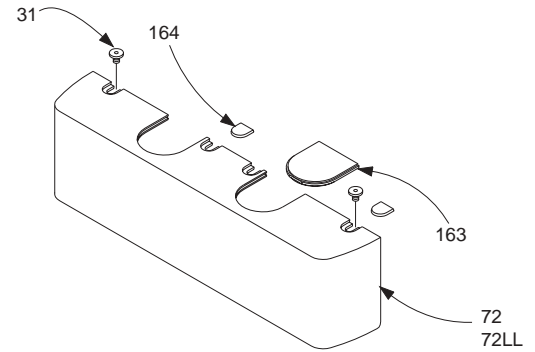
Individual Cylinder Parts

Individual cylinder parts for 4040-3071

4040-159	Arm Screw	F
----------	-----------	---

Covers

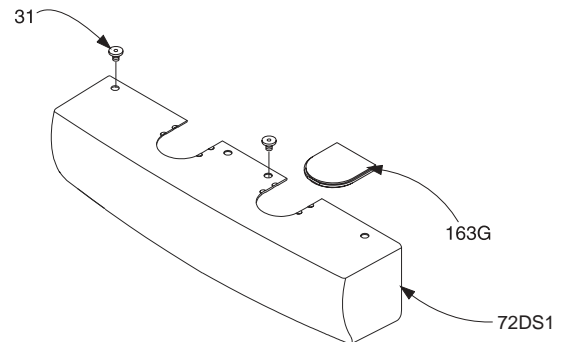
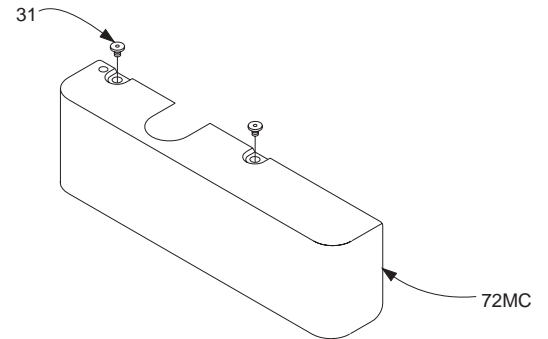
4040-72	Standard Cover	F
	<i>Includes 4040-31 (2), -163, & -164 (2)</i>	
4040-72LL	Lead Lined Cover	F
	<i>Includes 4040-31 (2), -163, & -164 (2)</i>	
4040-72MC	Metal Cover	F, H
	<i>Includes 4040-31 (2)</i>	
4040-72DS1	Designer Series Metal Cover	F
	<i>Includes 4040-31 (2), -163G</i>	



Individual Cover Parts

Individual cover parts for 4040-72, -72DS1, -72LL, & -72MC

4040-31	Cover Screw	F
4040-163	Arm Insert	F
4040-163G	Arm Insert (DS1)	F
4040-164	Screw Insert	F



Please specify finish (F), size (S), hand (H), & voltage (V) where indicated. See the latest edition of the LCN Catalog for part descriptions and specifications on many of the items shown above. List prices for items shown above can be located in the current LCN Price List.

LCN 4040 SERIES "SUPER SMOOTHIE"

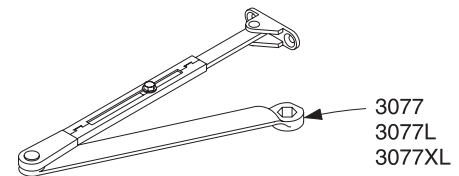
Complete Arm Assemblies

4040-3077	Regular Arm	F
	<i>Includes 4040-77, -79, -83, & -159</i>	
4040-3077L	Long Arm	F
	<i>Includes 4040-77, -79LR, -83, & -159</i>	
4040-3077XL	XL Long Arm	F
	<i>Includes 4040-77, -79ELR, -83, & -159</i>	
4040-3077/PA	Regular Arm w/PA	F
	<i>Includes 4040-62PA, -77, -79, -83, -159, & -201</i>	
4040-3077/62A	Regular Arm w/62A Shoe	F
	<i>Includes 4040-62A, -77, -79, -83, & -159</i>	

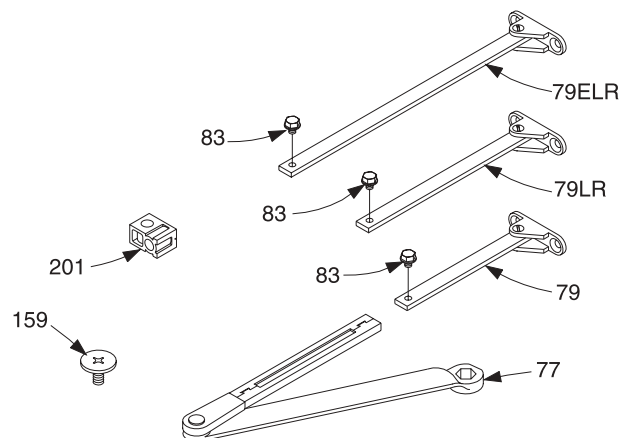
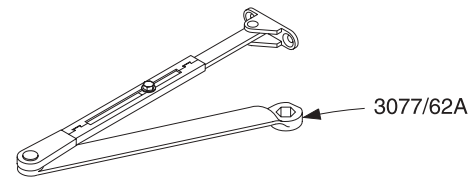
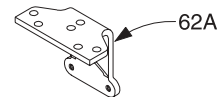
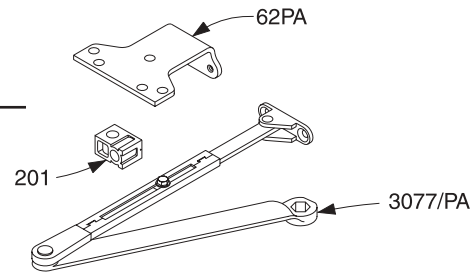
Individual Arm Parts

Individual arm parts for 4040-3077, -3077L, -3077XL, -3077/PA, & -3077/62A

4040-62A	Auxiliary Parallel Arm Shoe	F
4040-62PA	Parallel Arm Shoe	F
	<i>Includes 4040-201</i>	
4040-77	Main Arm & Forearm	F
	<i>Includes 4040-159</i>	
4040-79	Rod & Shoe	F
	<i>Includes 4040-83 / Length is 6 3/8" (162 mm)</i>	
4040-79LR	Long Rod & Shoe	F
	<i>Includes 4040-83 / Length is 8 3/8" (213 mm)</i>	
4040-79ELR	XL Rod & Shoe	F
	<i>Includes 4040-83 / Length is 12 3/8" (314 mm)</i>	
4040-83	Arm Screw	F
4040-159	Arm Screw	F
4040-201	Fifth Screw Spacer	



3077
3077L
3077XL



Please specify finish (F), size (S), hand (H), & voltage (V) where indicated. See the latest edition of the LCN Catalog for part descriptions and specifications on many of the items shown above. List prices for items shown above can be located in the current LCN Price List.

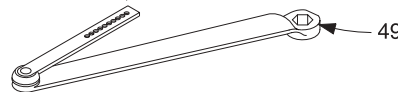
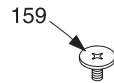
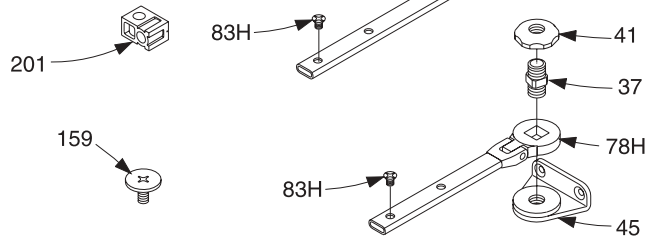
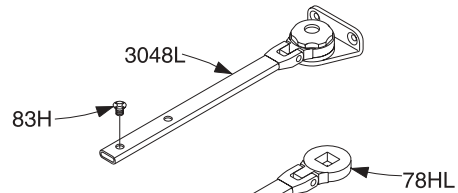
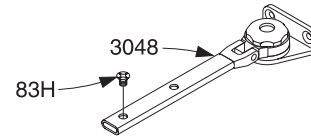
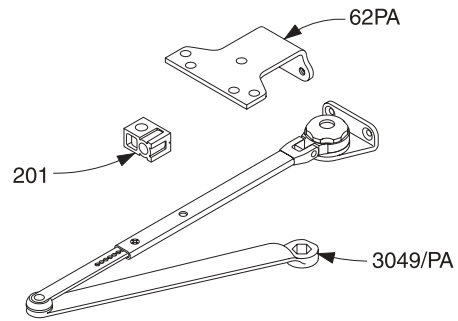
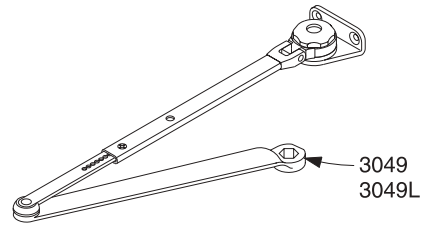
LCN 4040 SERIES "SUPER SMOOTHIE"

Complete Arm Assemblies

4040-3049	Hold-Open Arm	F
	<i>Includes 4040-49, -83H, -159, & -3048</i>	
4040-3049L	Hold-Open Long Arm	F
	<i>Includes 4040-49, -83H, -159, & -3048L</i>	
4040-3049/PA	Hold-Open Arm w/PA	F
	<i>Includes 4040-49, -62PA, -83H, -159, -201, & -3048</i>	

Individual Arm Parts

Individual arm parts for 4040-3049, -3049L, & -3049/PA		
4040-37	Hold-Open Stud	F
4040-41	Hold-Open Nut	F
4040-45	Hold-Open Shoe	F
4040-49	Hold-Open Main Arm & Rod	F
	<i>Includes 4040-159</i>	
4040-62A	Auxiliary Parallel Arm Shoe	F
4040-62PA	Parallel Arm Shoe	F
	<i>Includes 4040-201</i>	
4040-78H	HO Head & Tube	F
	<i>Includes 4040-83 / Length is 5 3/4" (146mm)</i>	
4040-78HL	HO Head & Long Tube	F
	<i>Includes 4040-83 / Length is 8 5/8" (219mm)</i>	
4040-83H	H Arm Screw	F
4040-159	Arm Screw	F
4040-201	Fifth Screw Spacer	
4040-3048	HO Head & Tube Assembly	F
	<i>Includes 4040-37, -41, -45, -78H, & -83H</i>	
	<i>Length is 5 3/4" (146mm)</i>	
4040-3048L	HO Head & Long Tube Assy	F
	<i>Includes 4040-37, -41, -45, -78HL, & -83H</i>	
	<i>Length is 8 5/8" (219mm)</i>	



Please specify finish (F), size (S), hand (H), & voltage (V) where indicated. See the latest edition of the LCN Catalog for part descriptions and specifications on many of the items shown above. List prices for items shown above can be located in the current LCN Price List.

LCN 4040 SERIES "SUPER SMOOTHIE"

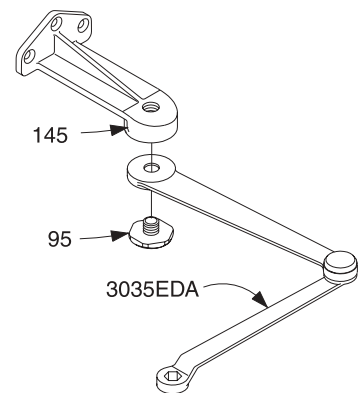
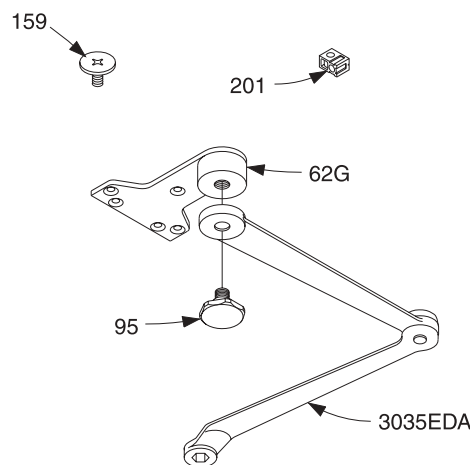
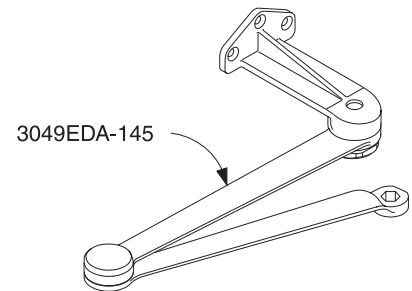
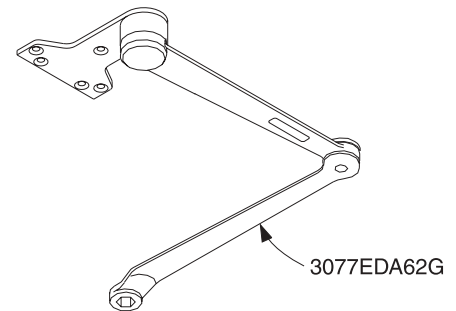
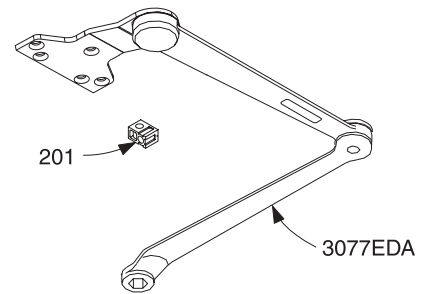
Complete Arm Assemblies

4040-3077EDA	Extra Duty Arm	F
	<i>Includes 4040-159 & -201</i>	
4040-3077EDA/62G	Extra Duty Arm w/62G	F
	<i>Includes 4040-62G, -95, -159, -201 & -3035EDA</i>	
4040-3077EDA/145	Extra Duty Arm w/145	F
	<i>Includes 4040-95, -145, -159, & -3035EDA</i>	

Individual Arm Parts

Individual arm parts for 4040-3077EDA, -3077EDA/G & -3077EDA/145

4040-62G	Thick Hub Shoe	F
	<i>Includes 4040 -201</i>	
4040-95	Arm Stud	F
4040-145	Flush Transom Shoe	F
4040-159	Arm Screw	F
4040-201	Fifth Screw Spacer	
4040-3035EDA	EDA Main Arm & Forearm	F
	<i>Includes 4040 -159</i>	



Please specify finish (F), size (S), hand (H), & voltage (V) where indicated. See the latest edition of the LCN Catalog for part descriptions and specifications on many of the items shown above. List prices for items shown above can be located in the current LCN Price List.

LCN 4040 SERIES "SUPER SMOOTHIE"

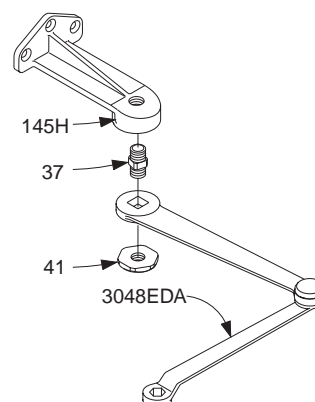
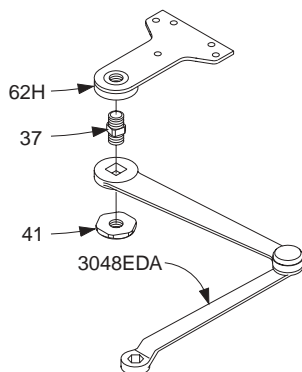
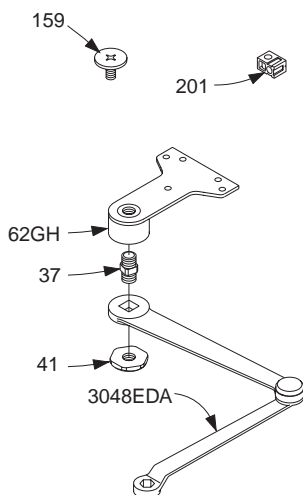
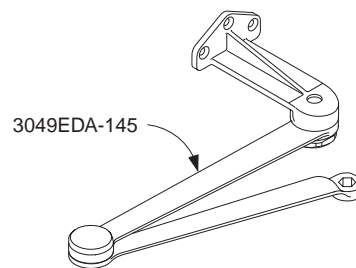
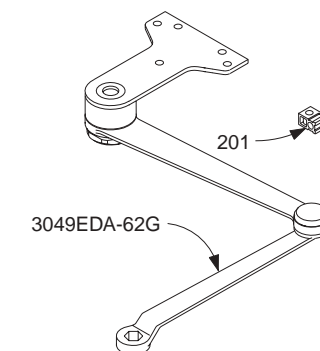
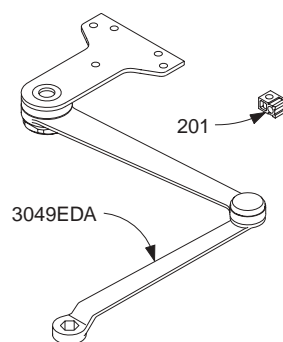
Complete Arm Assemblies

4040-3049EDA	Hold-Open Extra Duty Arm	F, H
	<i>Includes 4040-37, -41, -62H, -159, -201, & -3048EDA</i>	
4040-3049EDA/62G	HO Extra Duty Arm w/62G	F, H
	<i>Includes 4040-37, -41, -62GH, -159, -201, & -3048EDA</i>	
4040-3049EDA/145	HO Extra Duty Arm w/145	F, H
	<i>Includes 4040-37, -41, -145H, -159, & -3048EDA</i>	

Individual Arm Parts

Individual arm parts for 4040-3049EDA, -3049EDA/G, & -3049EDA/145

4040-37	Hold-Open Stud	F, H
4040-41	Hold-Open Nut	F
4040-62H	Hold-Open Shoe	F, H
	<i>Includes 4040-201</i>	
4040-62GH	Hold-Open Thick Hub Shoe	F, H
	<i>Includes 4040-201</i>	
4040-145H	HO Flush Transom Shoe	F, H
4040-159	Arm Screw	F
4040-201	Fifth Screw Spacer	
4040-3048EDA	HEDA Main Arm & Forearm	F
	<i>Includes 4040-159</i>	



Please specify finish (F), size (S), hand (H), & voltage (V) where indicated. See the latest edition of the LCN Catalog for part descriptions and specifications on many of the items shown above. List prices for items shown above can be located in the current LCN Price List.

LCN 4040 SERIES "SUPER SMOOTHIE"

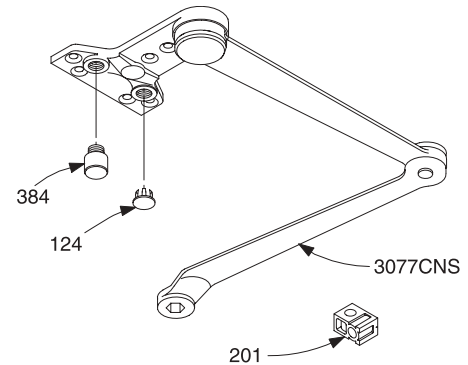
Complete Arm Assemblies

4040-3077CNS	Cush-n-Stop Arm	F
	<i>Includes 4040-124, -159, -201, & -384</i>	
4040-3049CNS	Hold-Open Cush-n-Stop Arm	F
	<i>Includes 4040-124, -159, -201, & -384</i>	

Individual Arm Parts

Individual arm parts for 4040-3077CNS & -3049CNS

4040-124	Plug	F
4040-159	Arm Screw	F
4040-201	Fifth Screw Spacer	F
4040-384	Stop	F



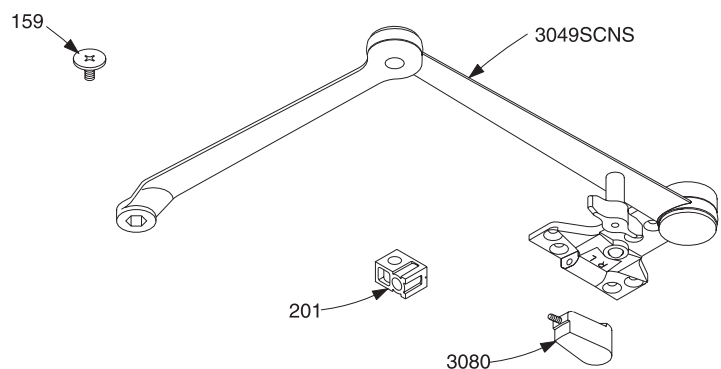
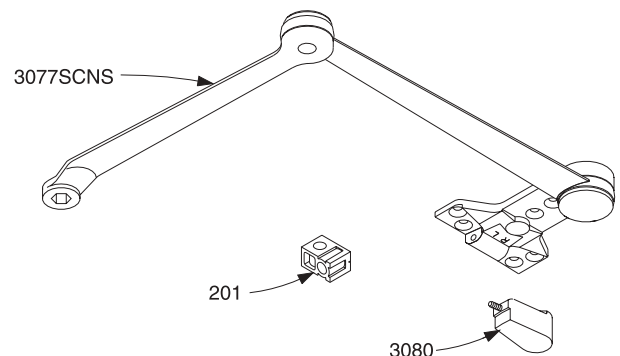
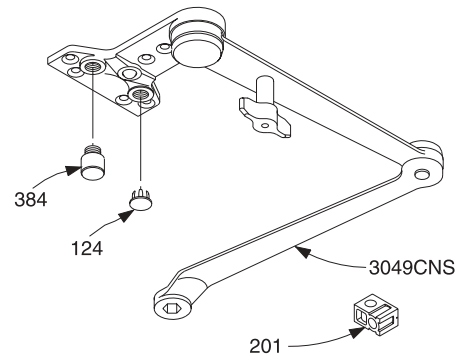
Complete Arm Assemblies

4040-3077SCNS	Spring Cush-n-Stop Arm	F
	<i>Includes 4040 -159, -201, & -3080</i>	
4040-3049SCNS	HO Spring Cush-n-Stop Arm	F
	<i>Includes 4040-159, -201, & -3080</i>	

Individual Arm Parts

Individual arm parts for 4040-3077SCNS, & -3049SCNS

4040-159	Arm Screw	F
4040-201	Fifth Screw Spacer	F
4040-3080	Spring Cush Block	F
	<i>Includes 5/32" hex installation wrench</i>	

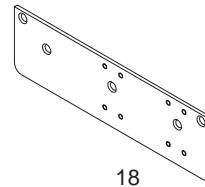


Please specify finish (F), size (S), hand (H), & voltage (V) where indicated. See the latest edition of the LCN Catalog for part descriptions and specifications on many of the items shown above. List prices for items shown above can be located in the current LCN Price List.

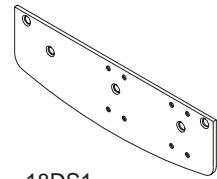
LCN 4040 SERIES "SUPER SMOOTHIE"

Mounting Plates

4040-18	Mounting Plate	F
4040-18DS1	Mounting Plate	F
4040-18G	Mounting Plate	F
4040-18PA	Mounting Plate	F
4040-18PADS1	Mounting Plate	F
4040-18TJ	Mounting Plate	F
4040-18TJDS1	Mounting Plate	F



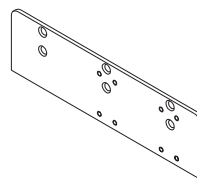
18



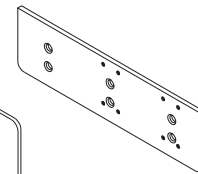
18DS1

Installation Accessories

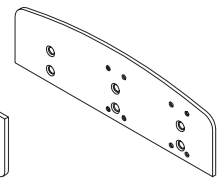
4040-30	Cush Shoe Support	F
4040-61	Blade Stop Spacer	F
4040-65	Soffit Shoe	F
4040-418	Parallel Arm Shoe Adapter	F
4040-419	Flush Panel Adapter	F



18G



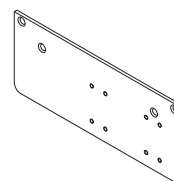
18TJ



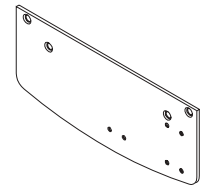
18TJDS1

Corner Brackets

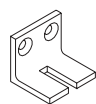
4040-16	Corner Bracket	F
4040-17	Corner Bracket	F



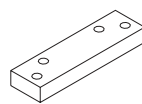
18PA



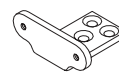
18PADS1



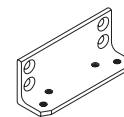
30



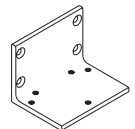
61



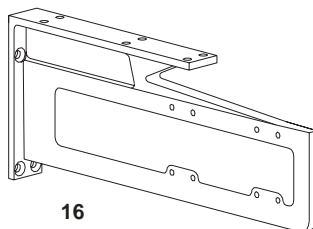
65



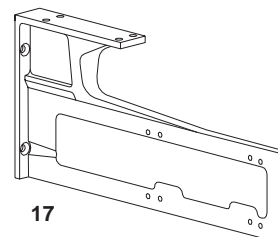
418



419



16



17

Please specify finish (F), size (S), hand (H), & voltage (V) where indicated. See the latest edition of the LCN Catalog for part descriptions and specifications on many of the items shown above. List prices for items shown above can be located in the current LCN Price List.

LCN 4040 SERIES "SUPER SMOOTHIE"

Please specify finish **(F)**, size **(S)**, hand **(H)**, & voltage **(V)** where indicated. See the latest edition of the LCN Catalog for part descriptions and specifications on many of the items shown above. List prices for items shown above can be located in the current LCN Price List.