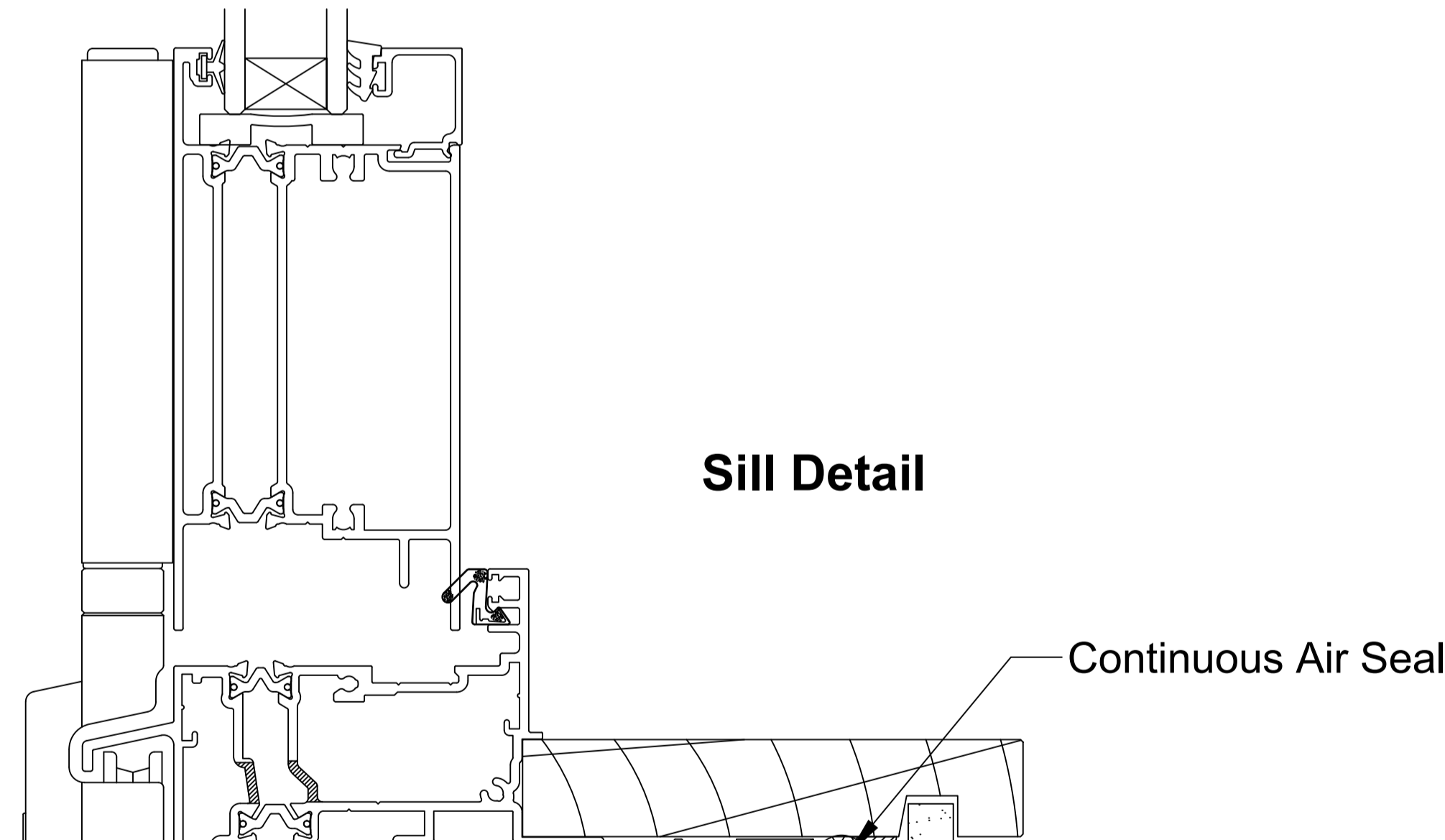
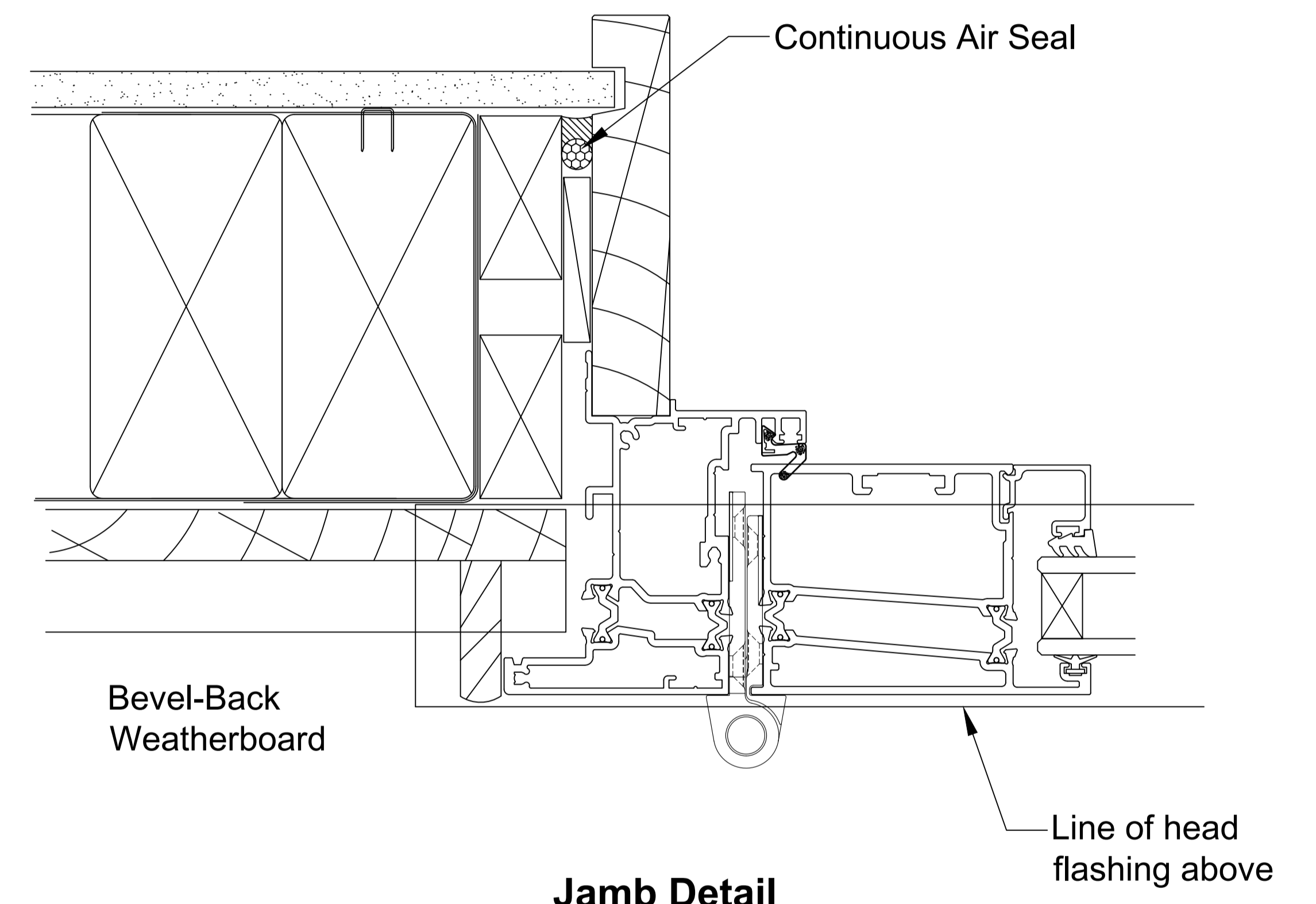


**Head Detail**



**Sill Detail**

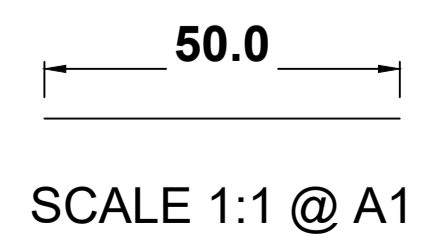


**Jamb Detail**

This document is intended as a guide only and is to be used in conjunction with The WANZ Guide to Window Installation as described in E2/AS1 Amendment 5 (see link below) <http://www.wanz.org.nz/download/WANZ%20Guide%20to%20E2%20AS1%20Amd%206%20V1.3%20Dec%202014.pdf>

**OMEGA WINDOWS AND DOORS  
BIFOLD DOOR  
400 SERIES THERMAL**

**BEVEL BACK  
WEATHERBOARD**



Head flashing

Head seal  
For Very High  
Wind Zone

Continuous Air Seal

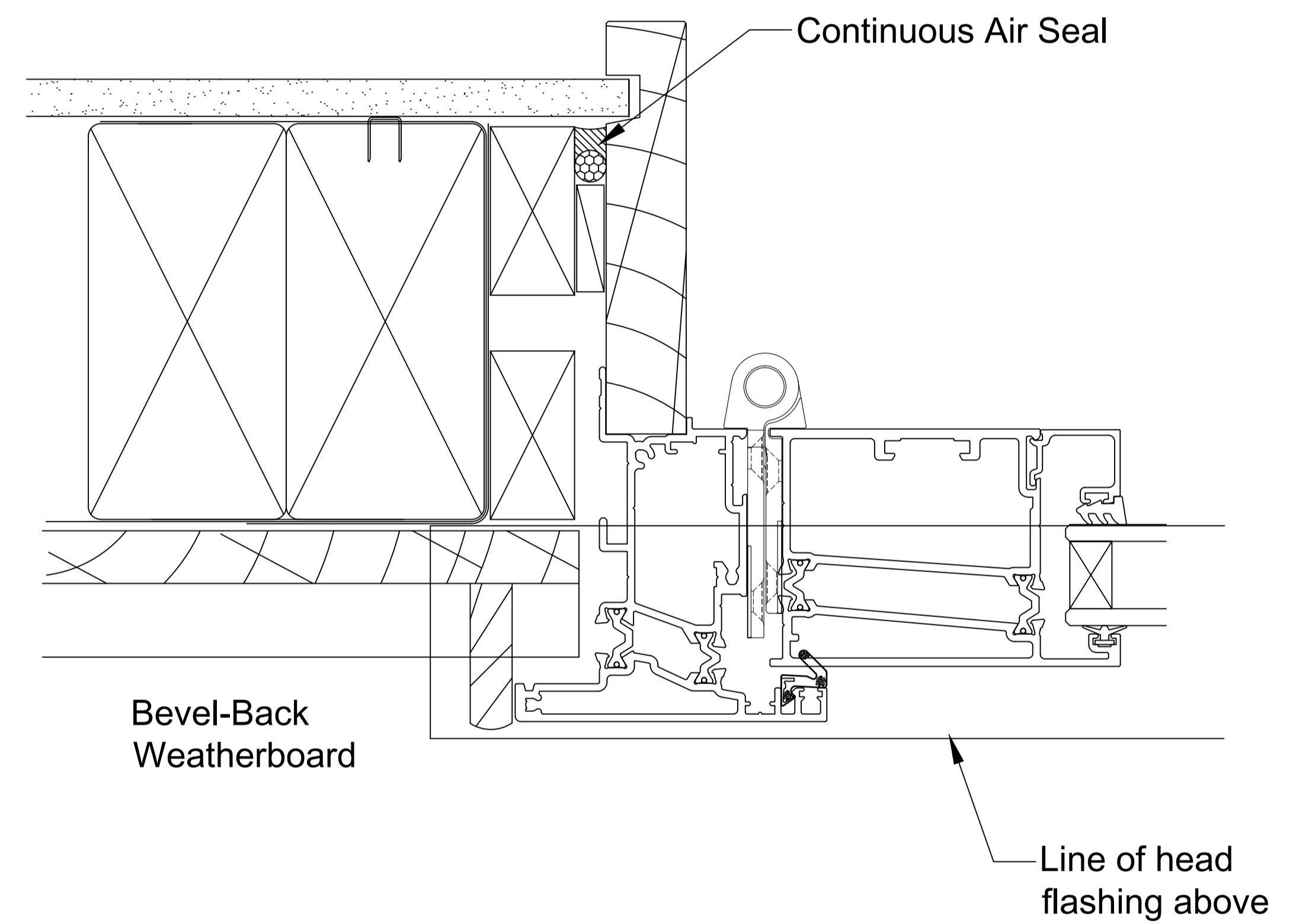
### Head Detail

### Sill Detail

Continuous Air Seal

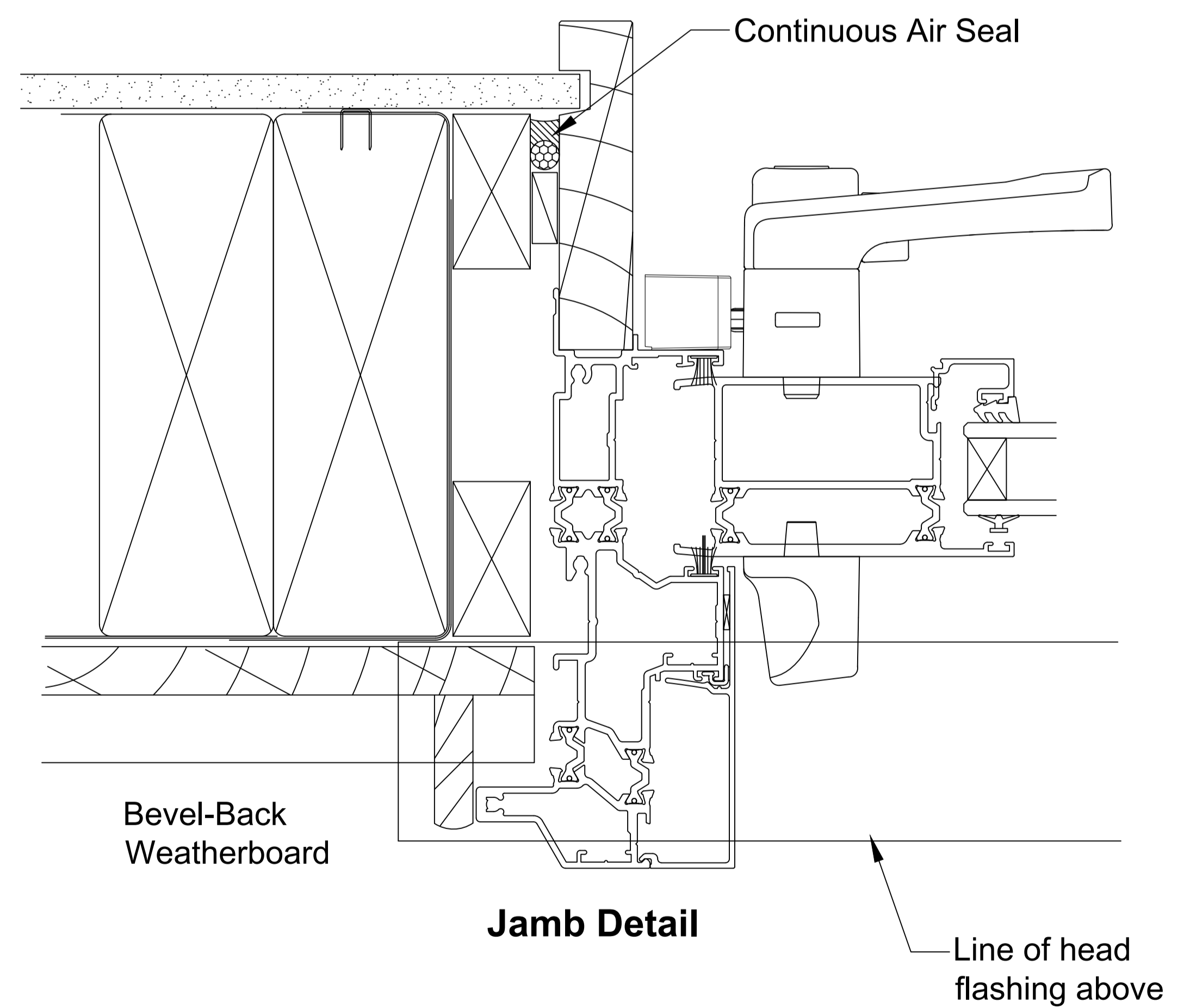
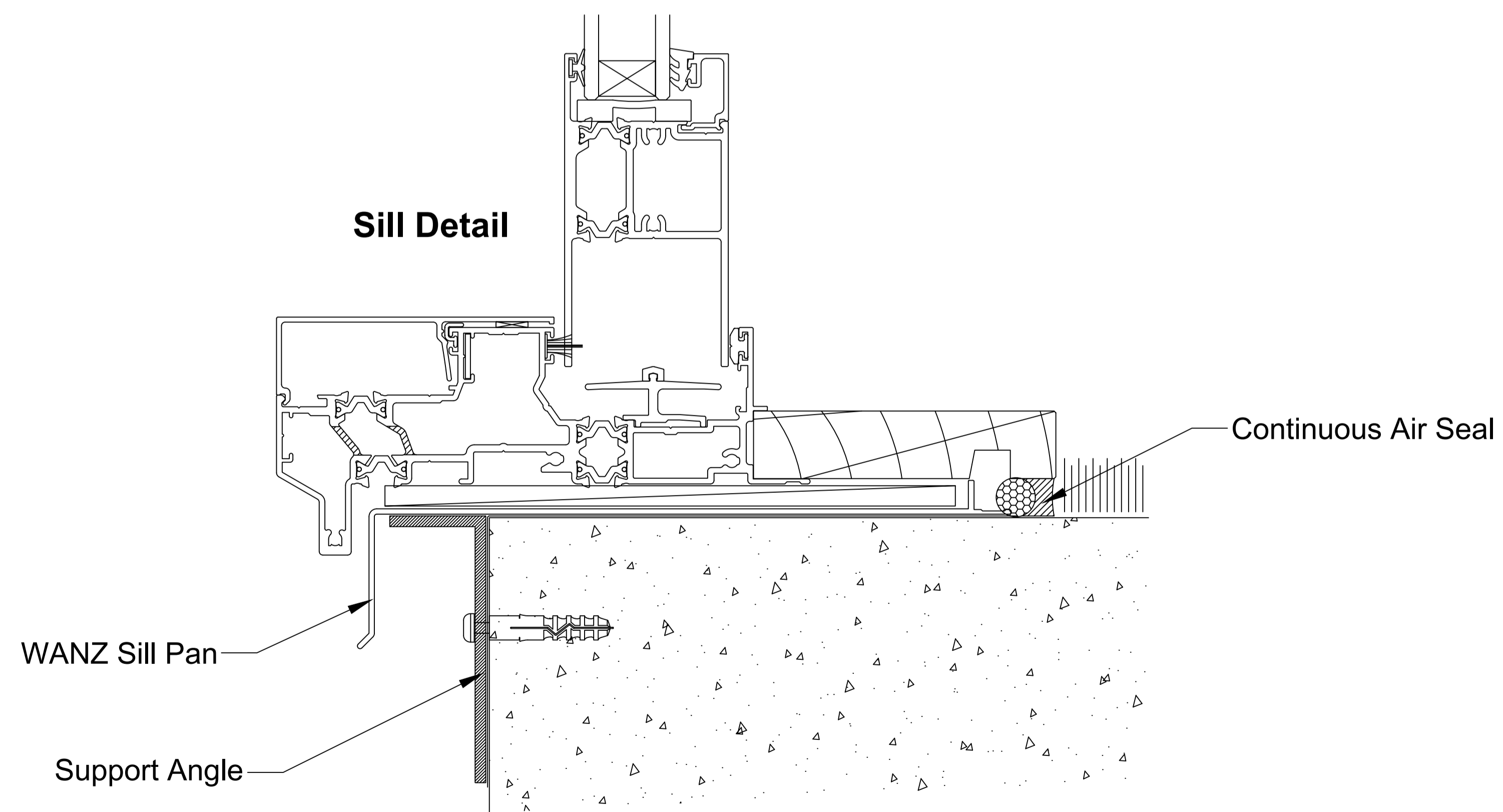
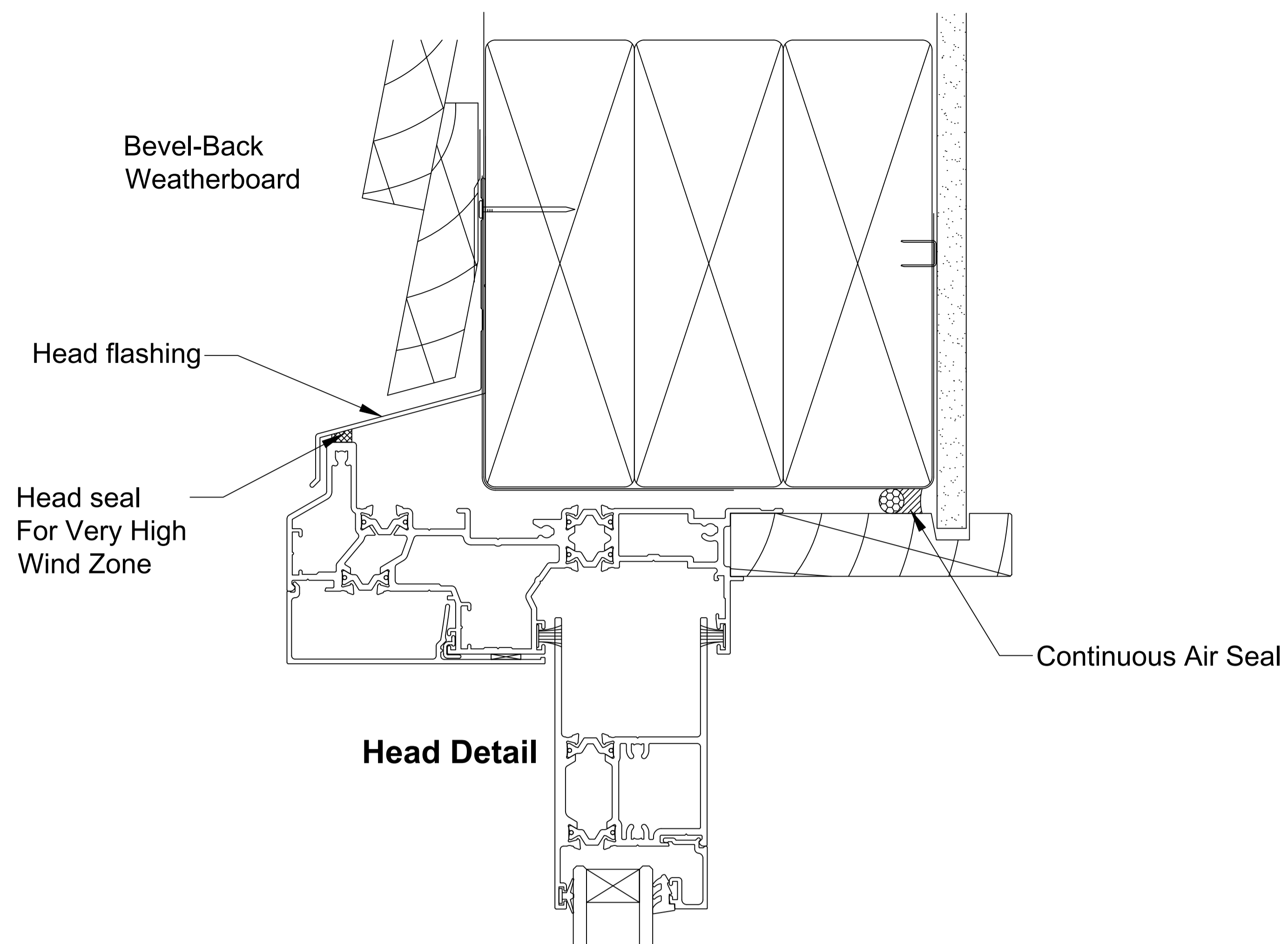
WANZ Sill Pan

Support Angle



### Jamb Detail



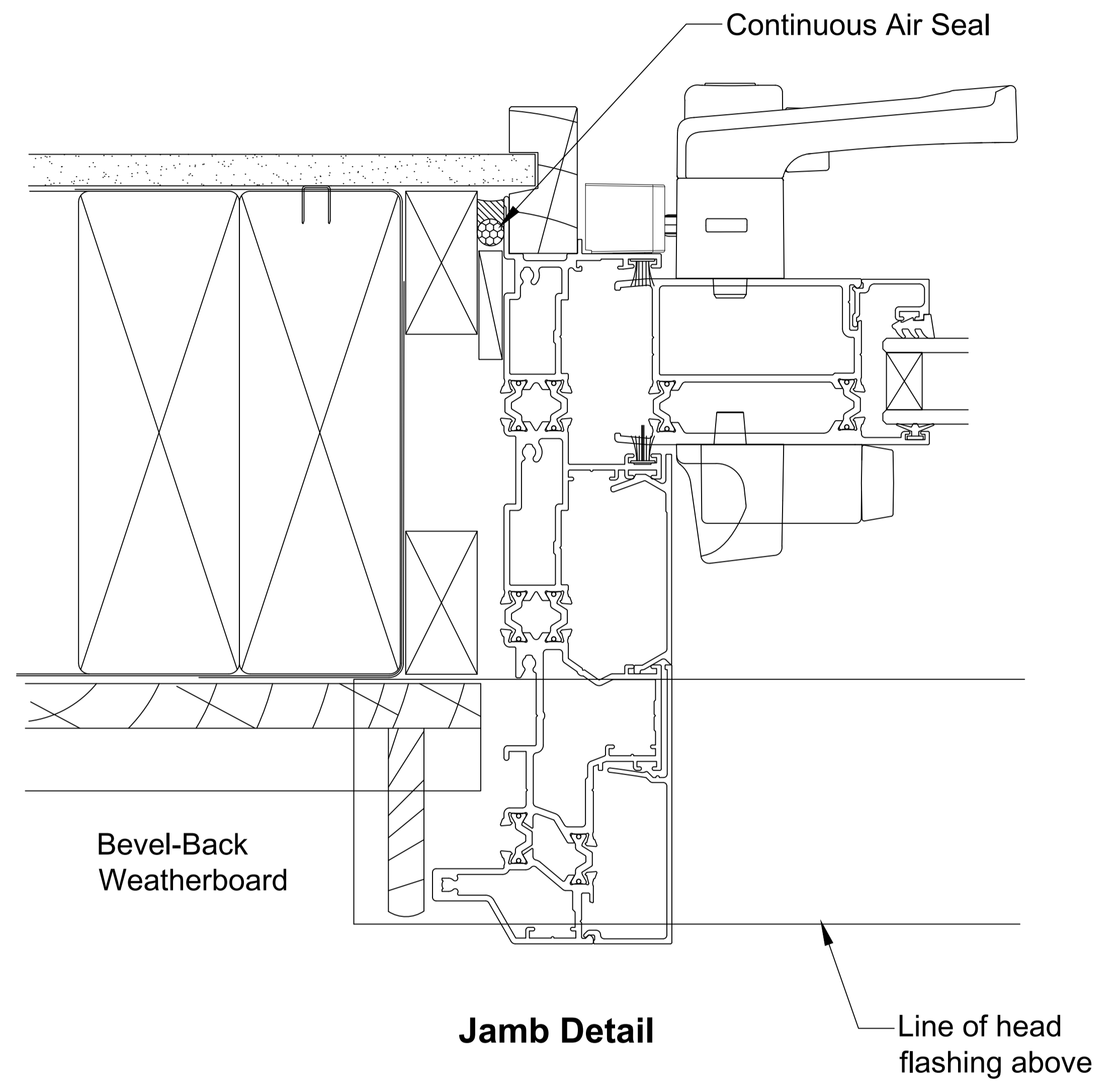
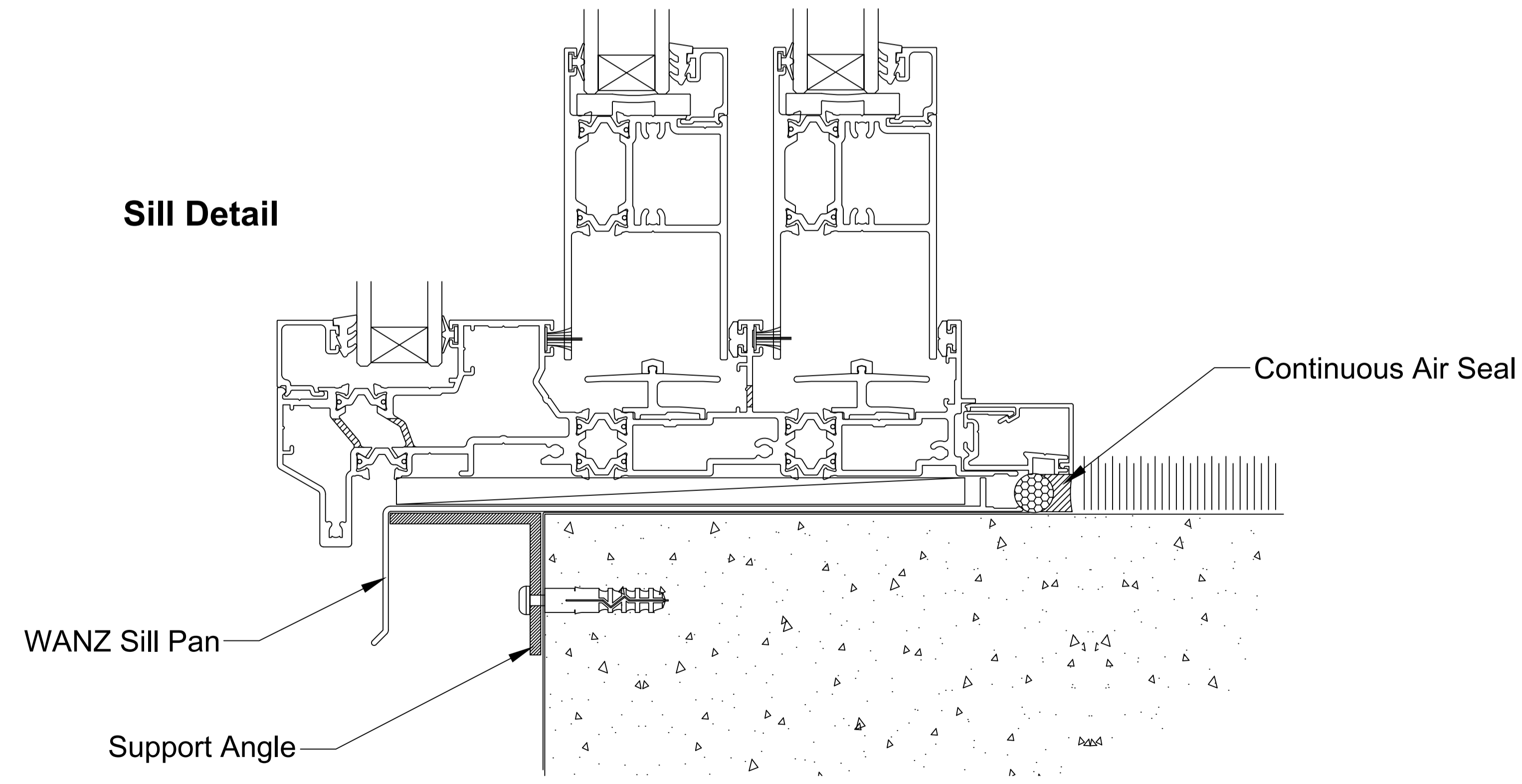
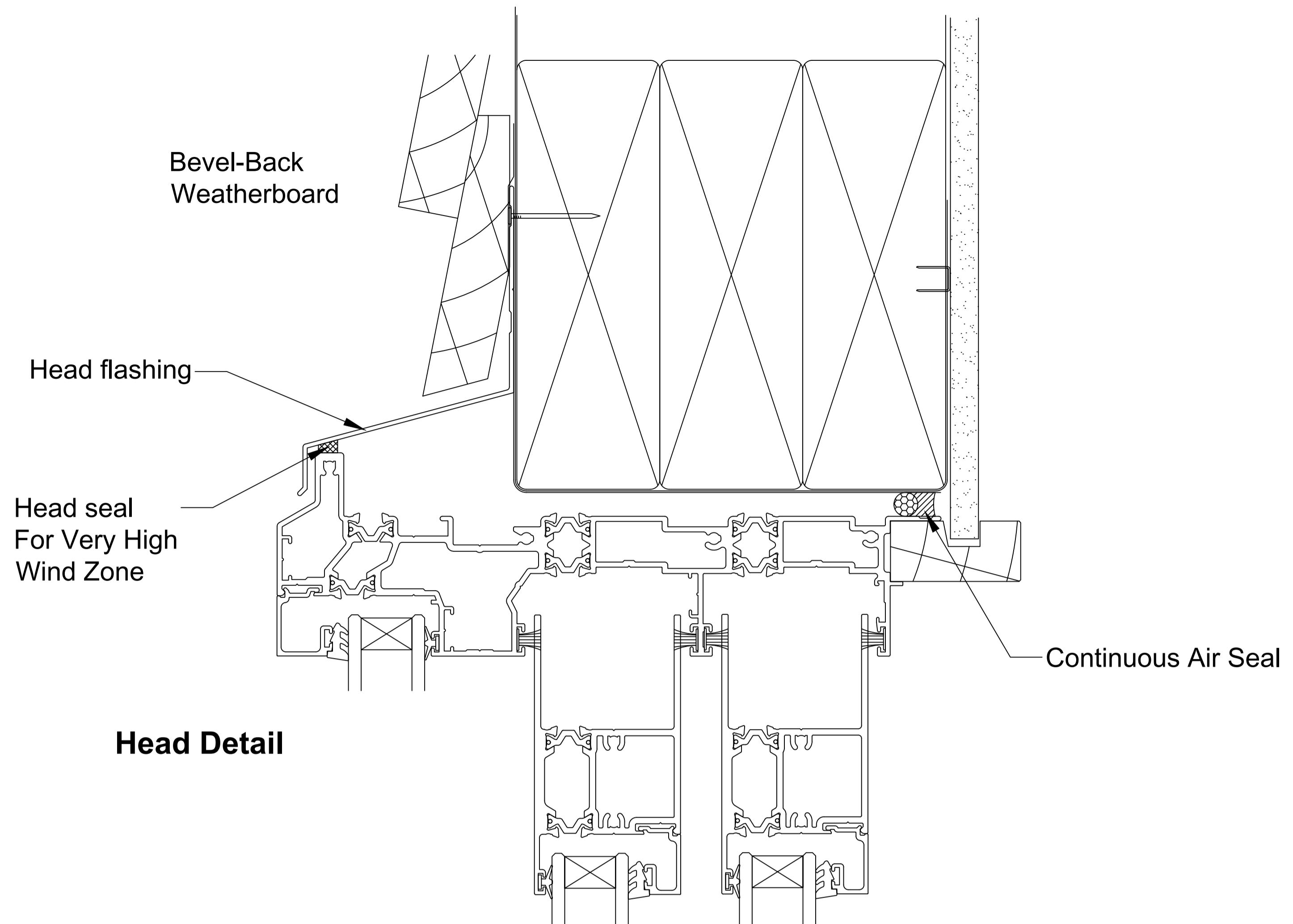


This document is intended as a guide only and is to be used in conjunction with  
 The Wanz Guide to Window Installation as described in E2/AS1 Amendment 5 (see link below)  
<http://www.wanz.org.nz/download/WANZ%20Guide%20to%20E2%20AS1%20Amd%206%20V1.3%20Dec%202014.pdf>

OMEGA WINDOWS AND DOORS  
 SLIDING DOOR  
 400 SERIES THERMAL

BEVEL BACK  
 WEATHERBOARD

50.0  
 SCALE 1:1 @ A1



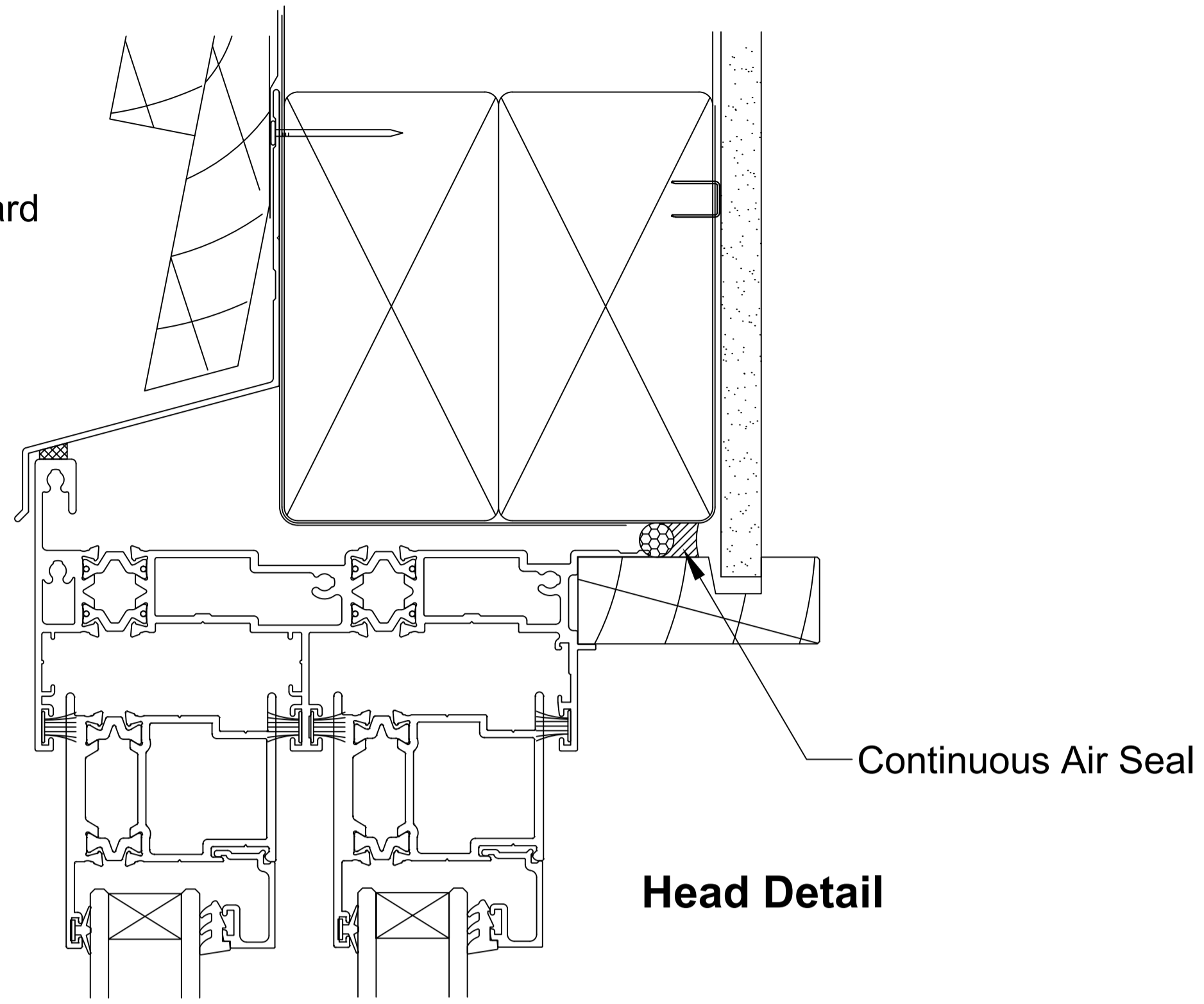
This document is intended as a guide only and is to be used in conjunction with The Wanz Guide to Window Installation as described in E2/AS1 Amendment 5 (see link below) <http://www.wanz.org.nz/download/WANZ%20Guide%20to%20E2%20AS1%20Amd%206%20V1.3%20Dec%202014.pdf>

OMEGA WINDOWS AND DOORS  
 STACKING DOOR  
 400 SERIES THERMAL

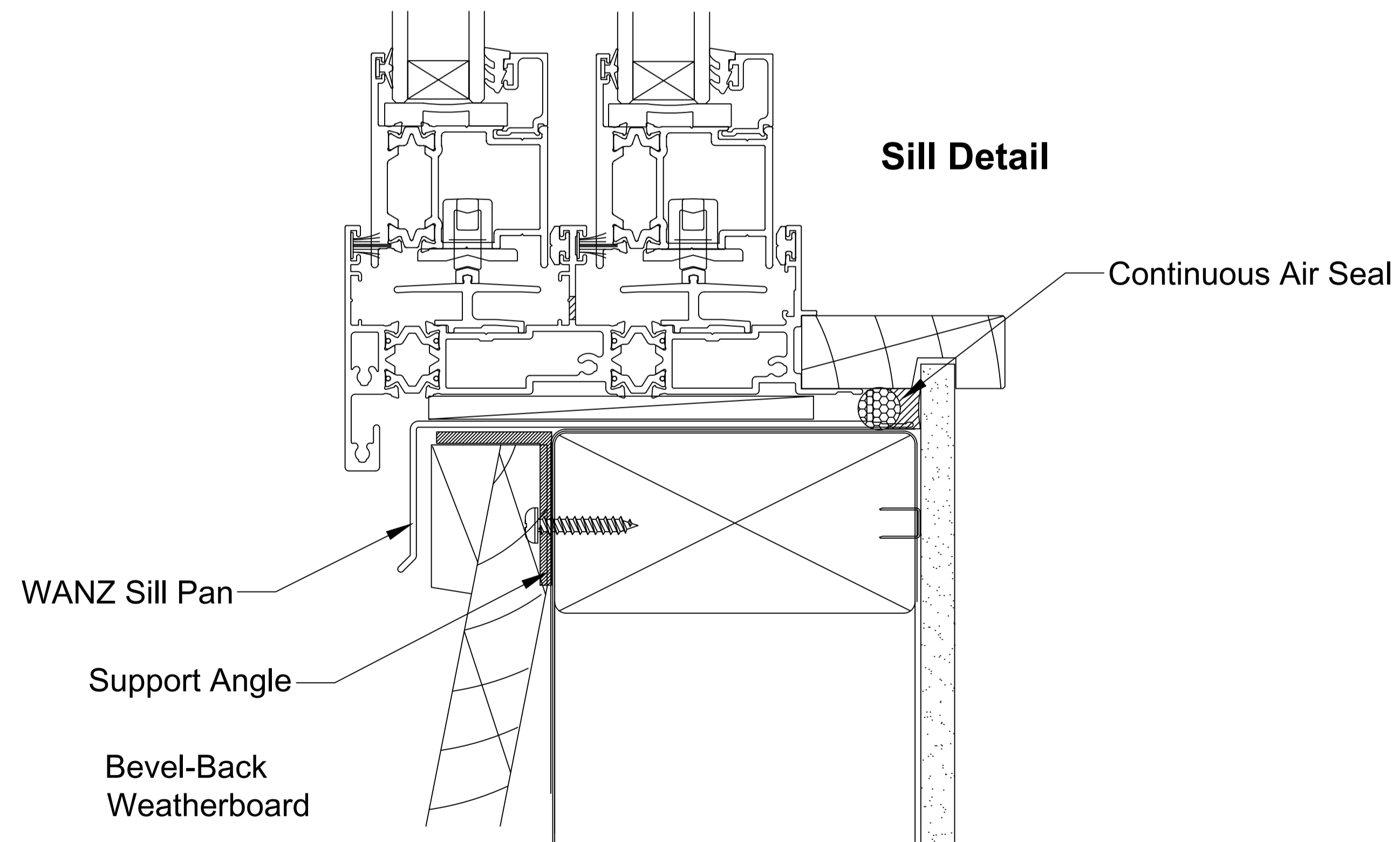
BEVEL BACK  
 WEATHERBOARD

50.0  
 SCALE 1:1 @ A1

Bevel-Back  
Weatherboard



**Sill Detail**



Continuous Air Seal

