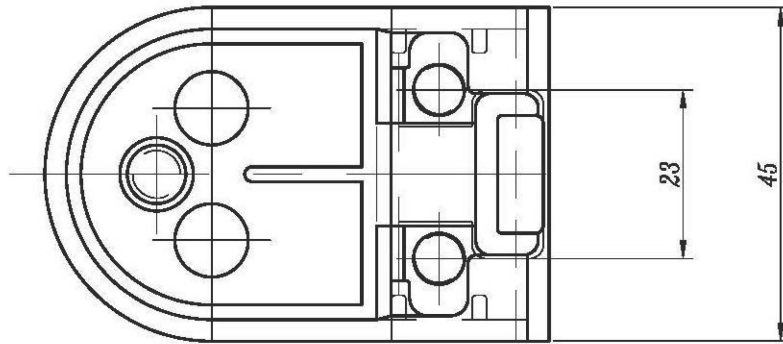
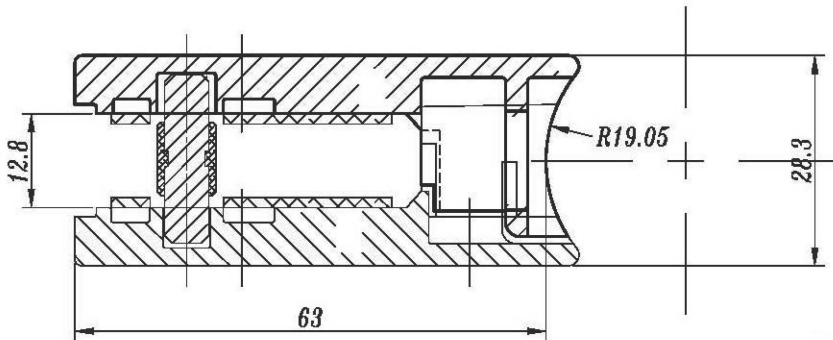


## Product Code GC63



'D' shaped Glass Clamp 63mm long  
Complete with bushes and packers  
To suit 6mm to 10mm glass

Can be used in conjunction with IntTa50  
Internal Tube Anchor for an easy and secure  
fit inside tube



### IntTa50

