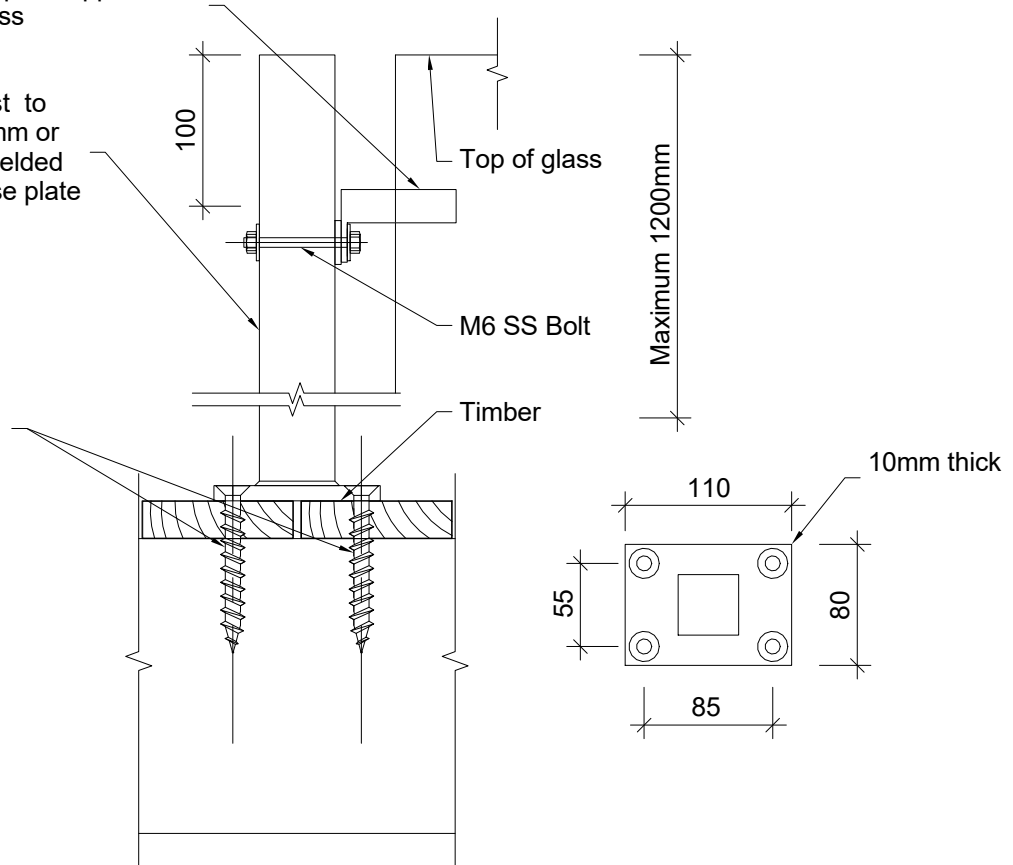


Side Mount H Clamp to support 15.5 Laminated S6P glass

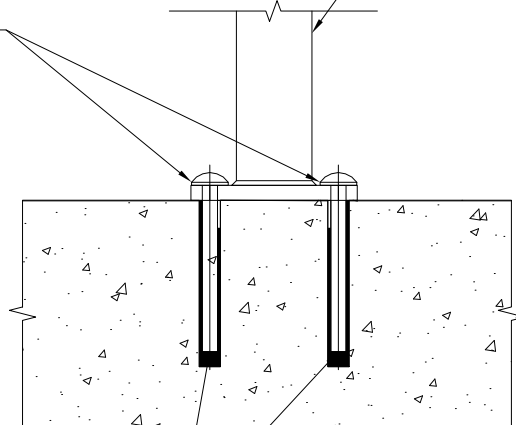
Stainless Steel Post to be either 40x40x2mm or 50x50x2mm with welded 10mm thick SS base plate

M10 100mm Countersunk screw 90mm penetration into timber



Stainless Steel Post to be either 40x40x2mm or 50x50x2mm with welded 10mm thick SS base plate

Dome nut



M10 90mm threaded rod epoxied 90mm penetration into concrete

Stainless Steel Post for Nanorail® fixing applies to 40x40x2mm and 50x50x2mm posts