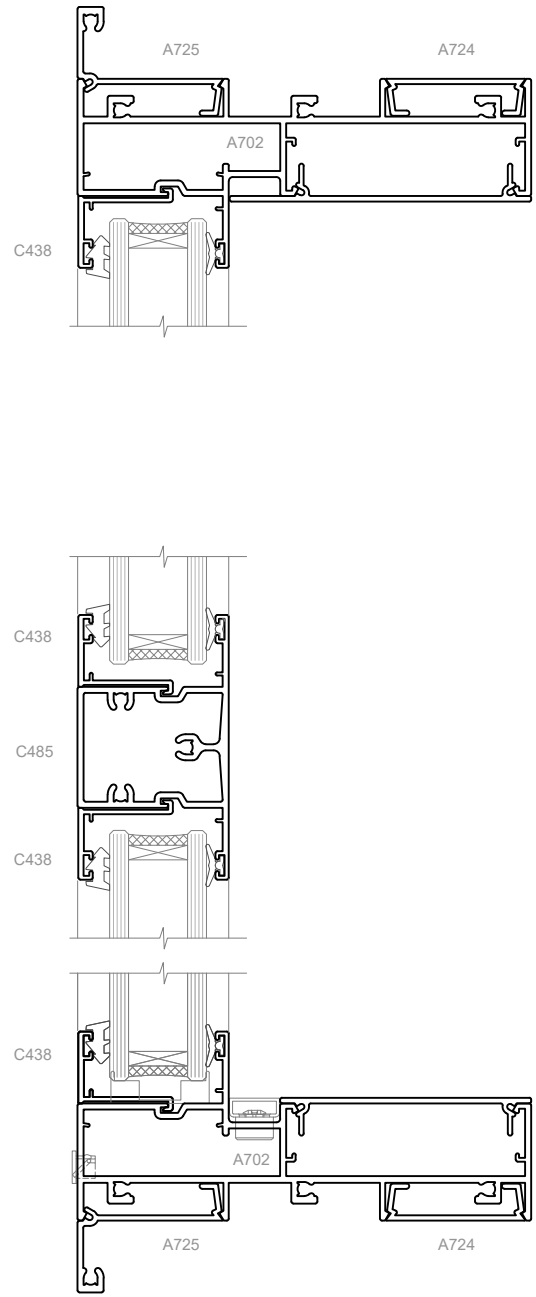


SECTION A-A



SECTION B-B

AWNING / CASEMENT WINDOW

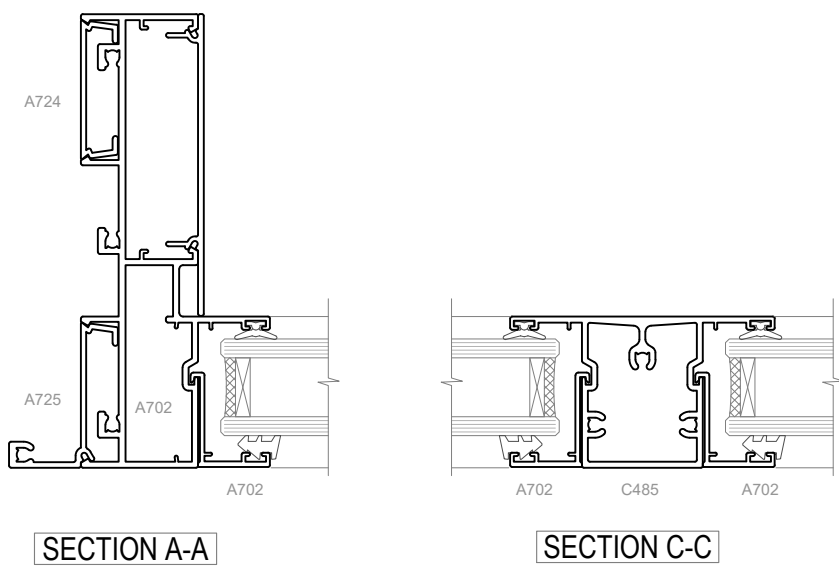
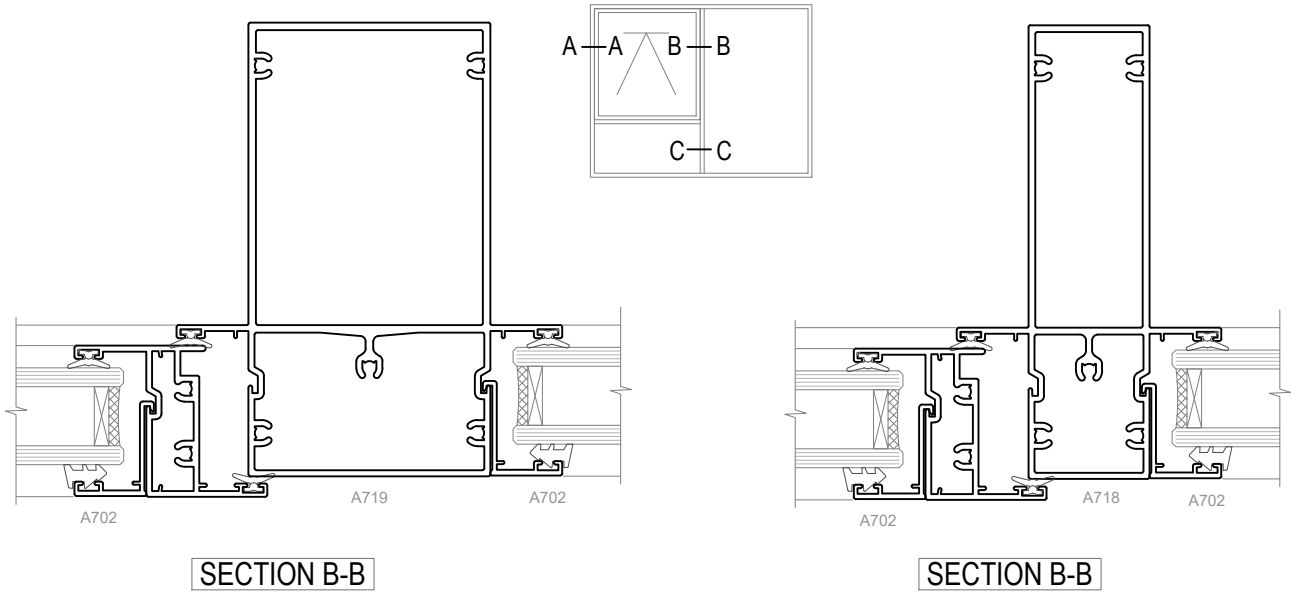
Rev 0



# Architectural Cubic 40

Cross Sectional

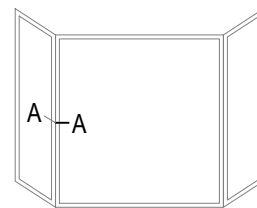
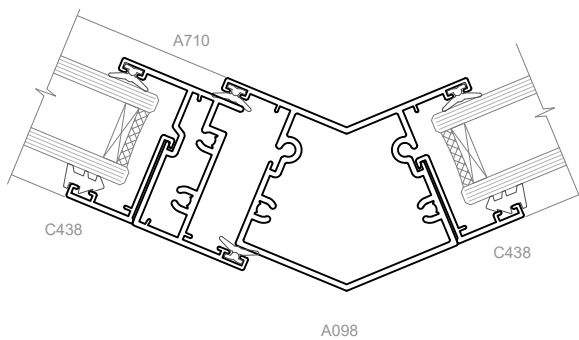
CAD Details



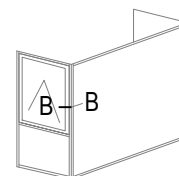
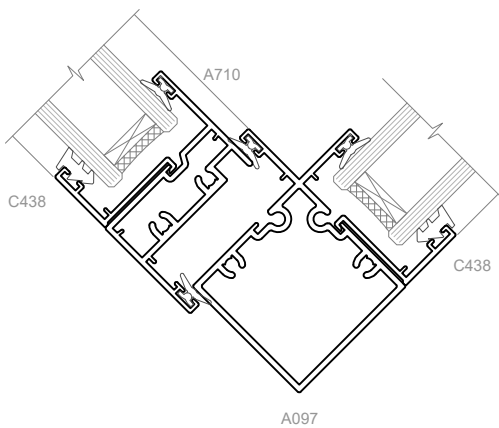
AWNING / CASEMENT WINDOW

Rev 0





SECTION A-A

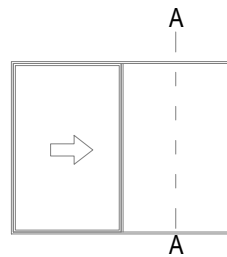
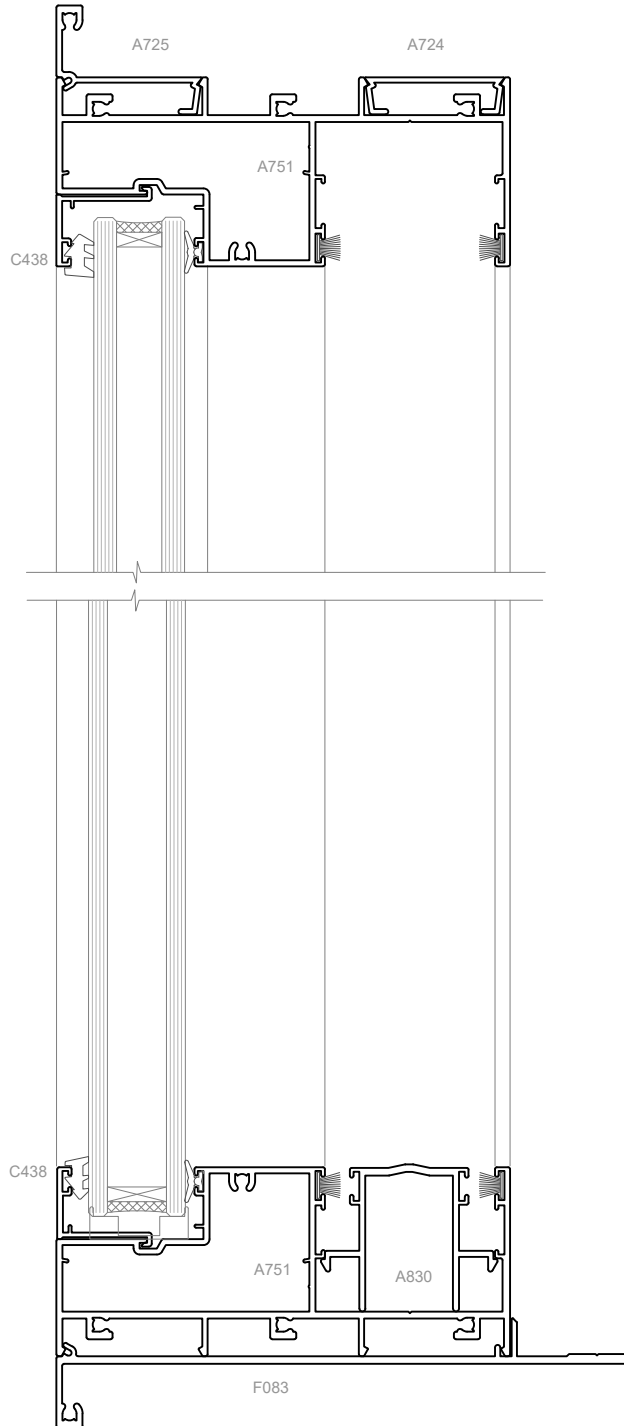


SECTION B-B

BOX & BAY WINDOW

Rev 0



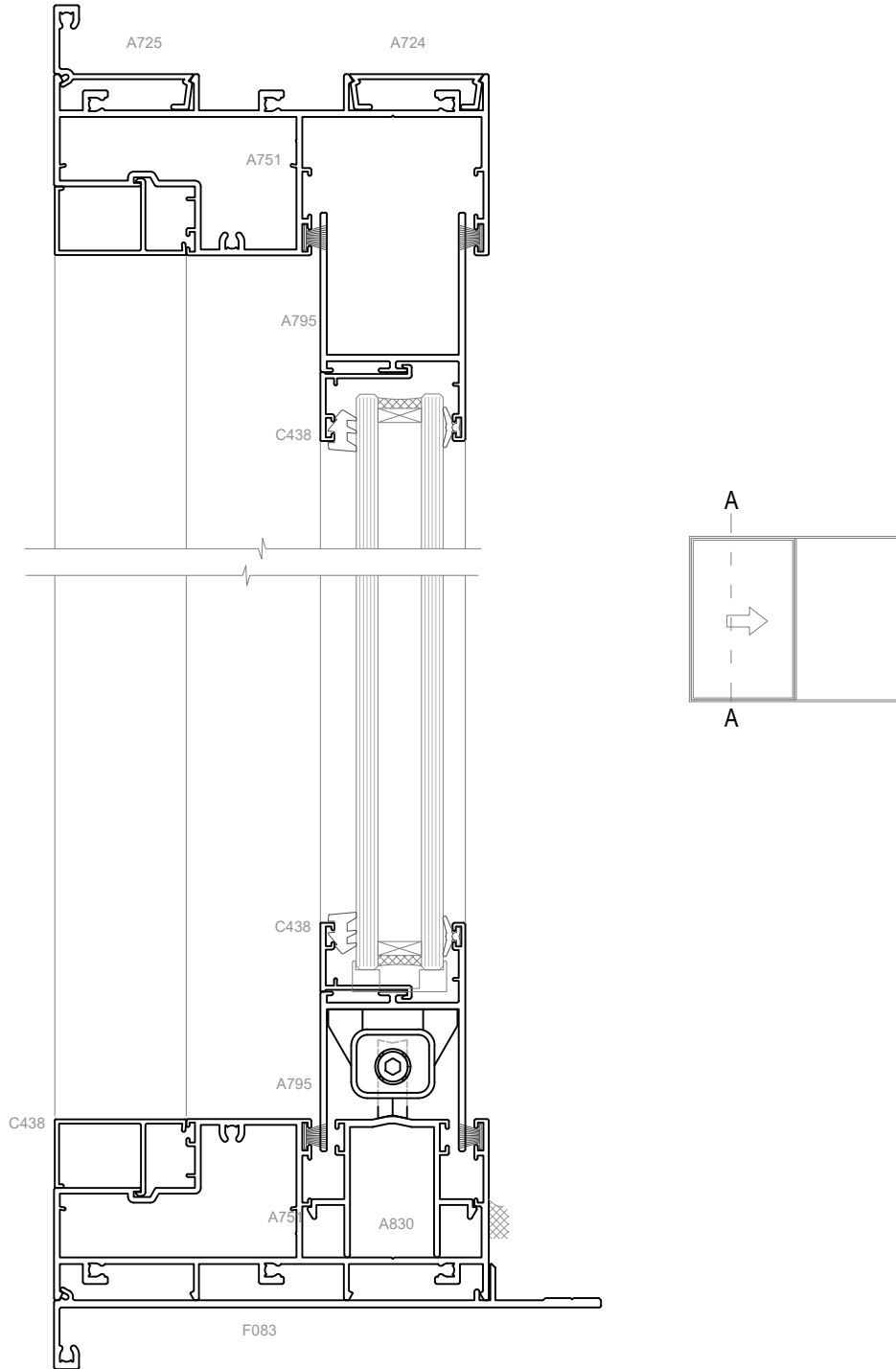


SECTION A-A

SLIDING WINDOW

Rev 0



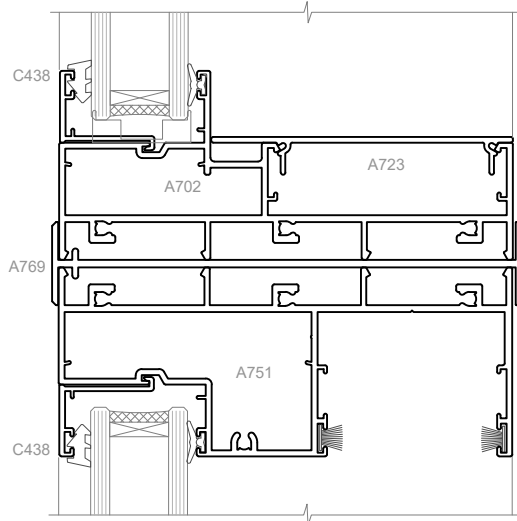
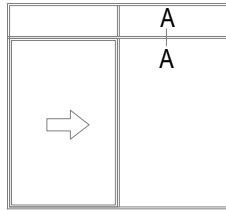


SECTION A-A

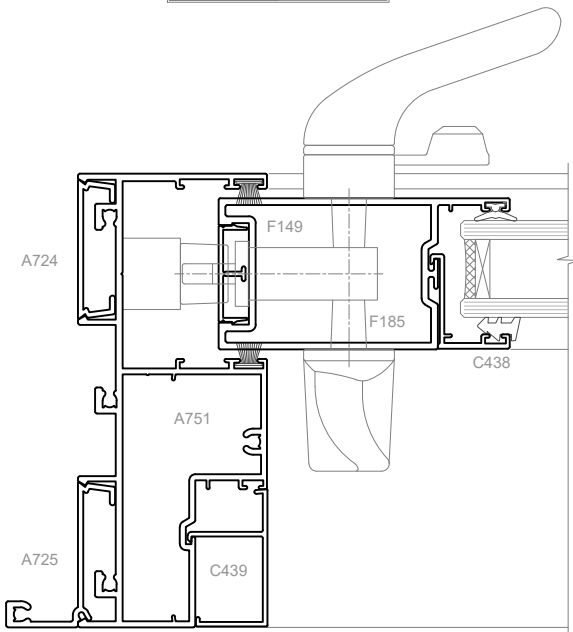
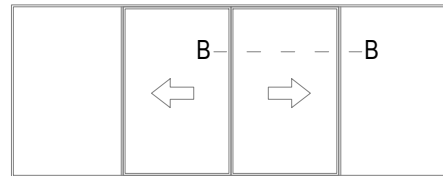
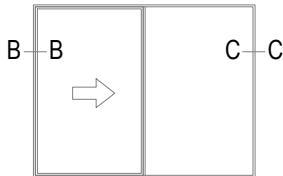
SLIDING WINDOW

Rev 0

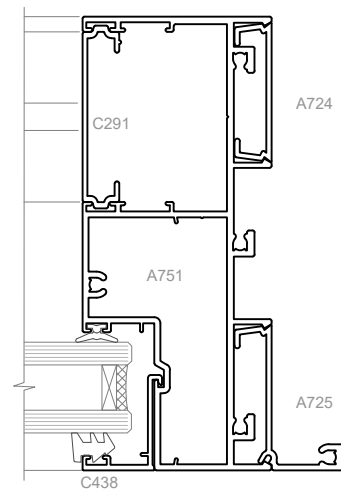




SECTION A-A



SECTION B-B



SLIDING WINDOW

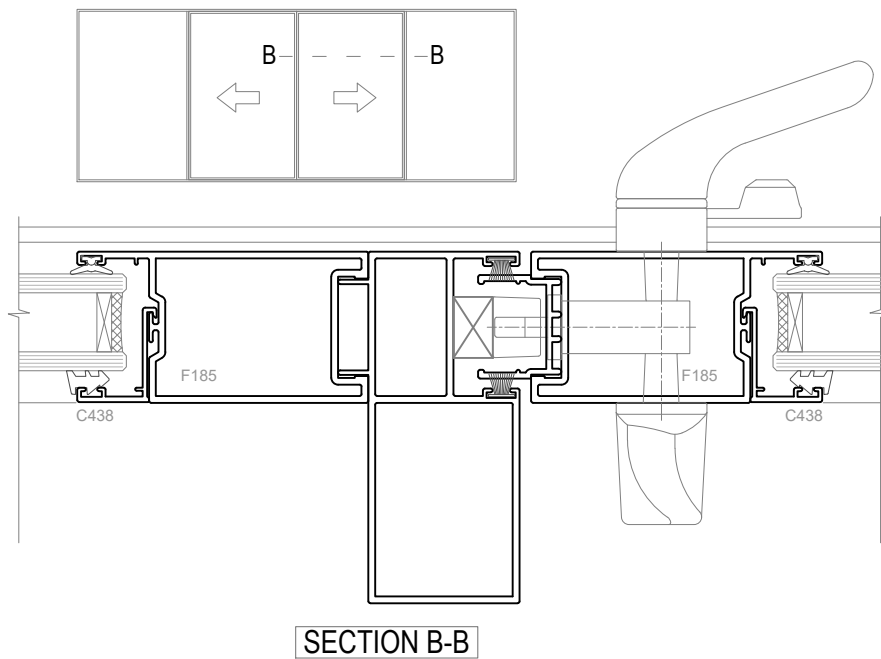
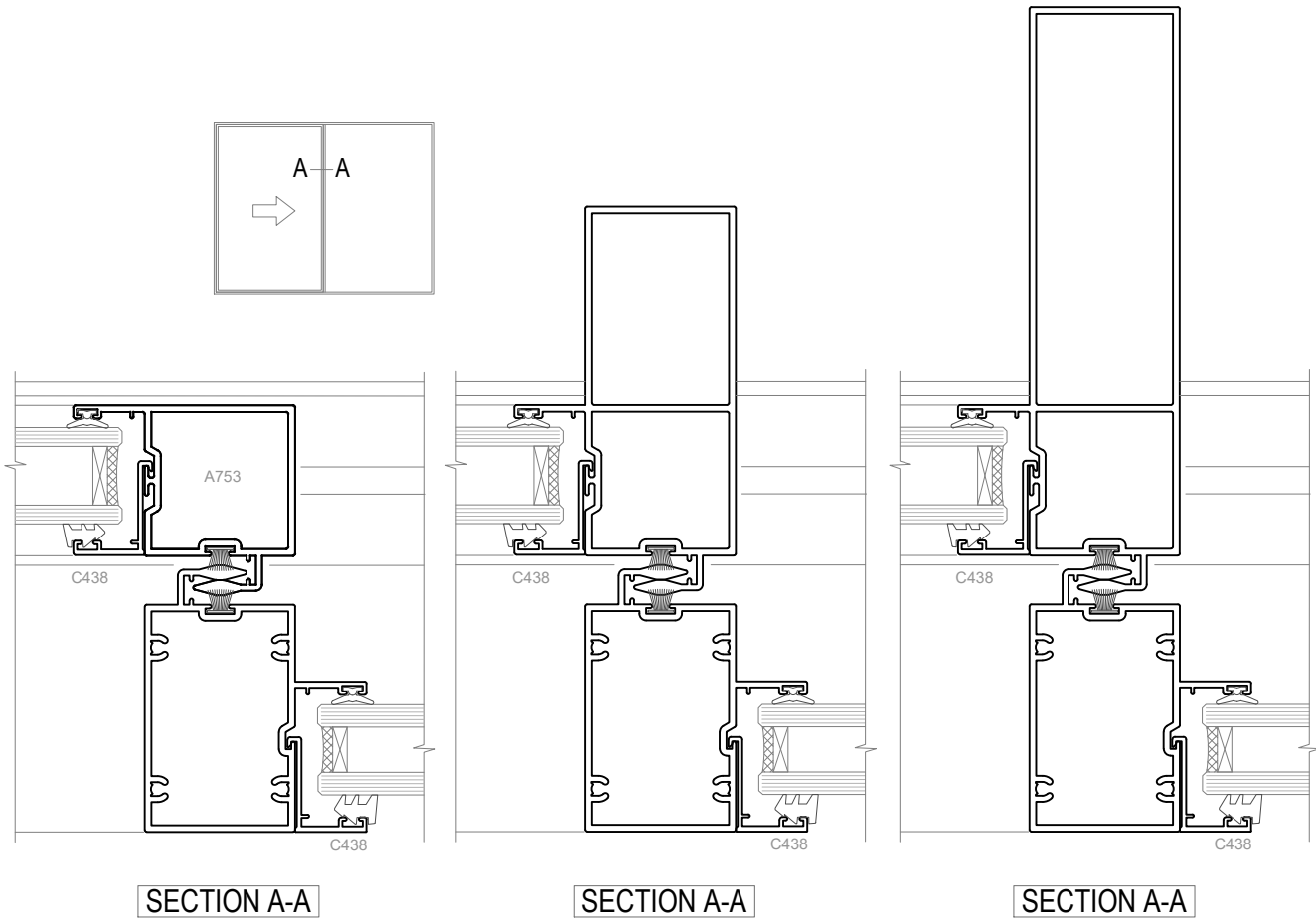
Rev 0



# Architectural Cubic 40

Cross Sectional

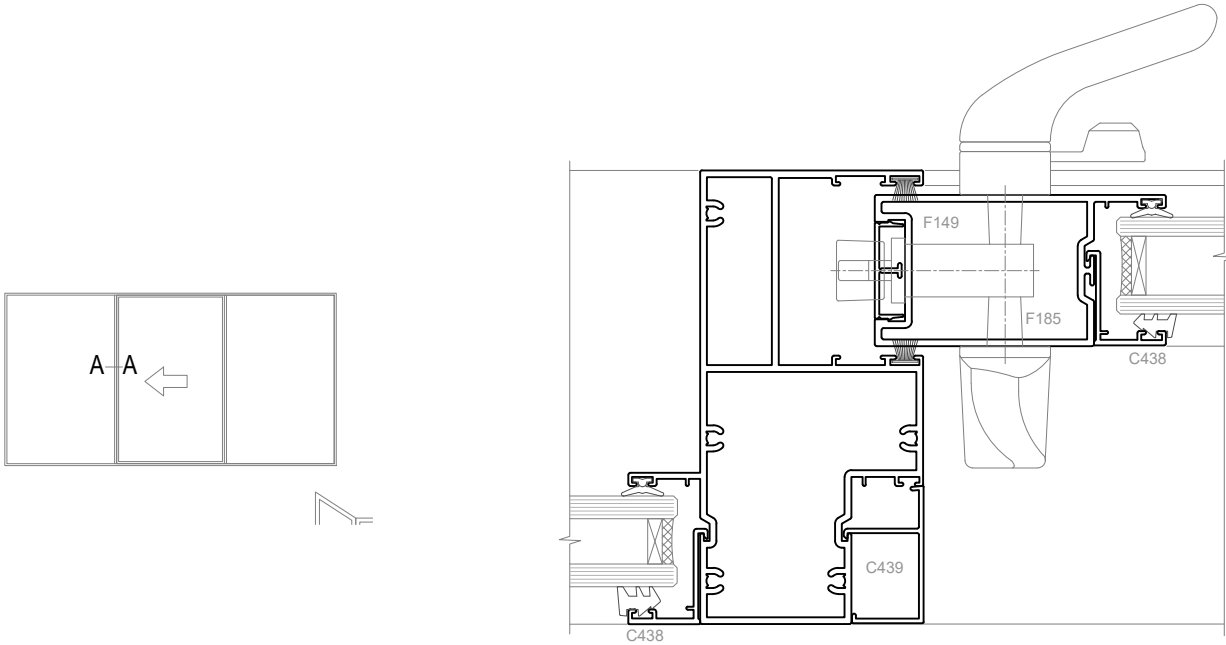
CAD Details



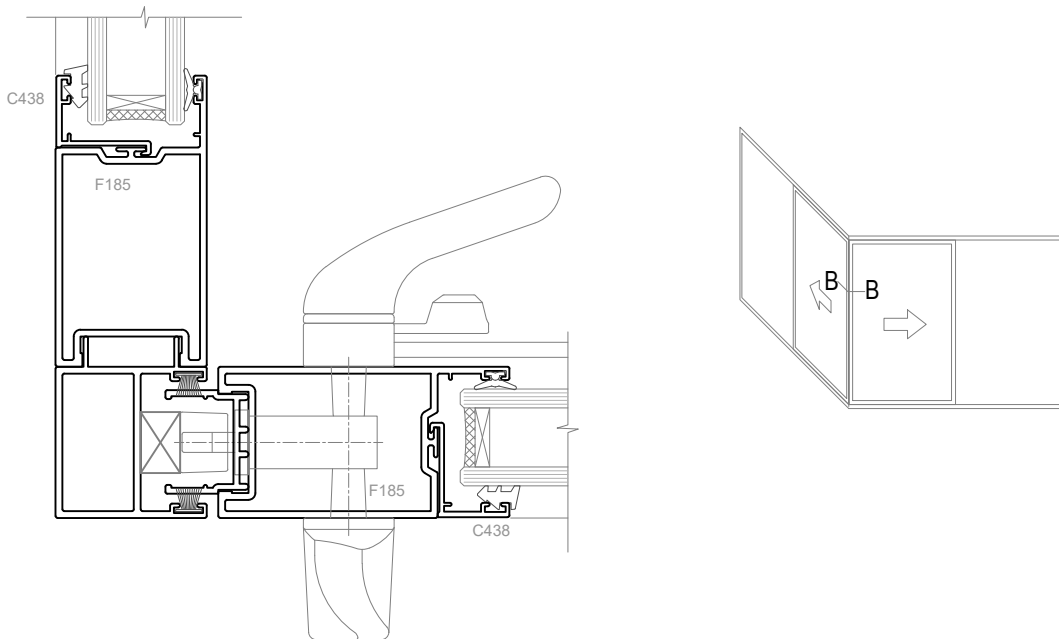
SLIDING WINDOW

Rev 0





SECTION A-A



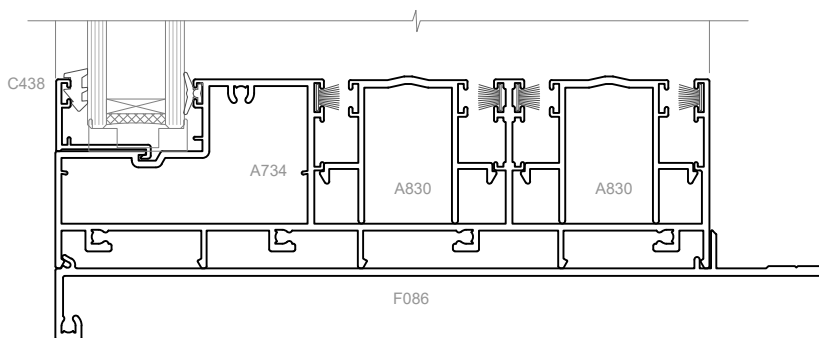
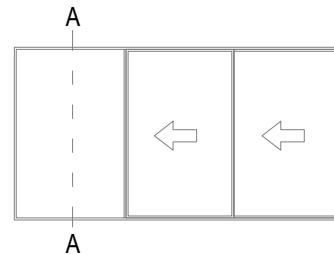
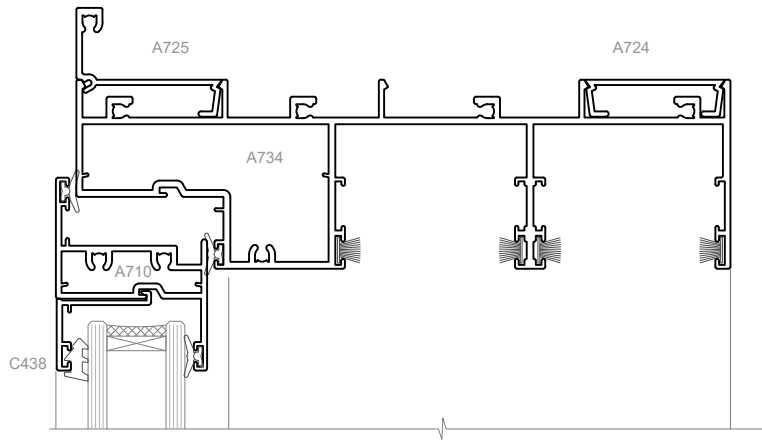
SECTION B-B

SLIDING WINDOW

Rev 0

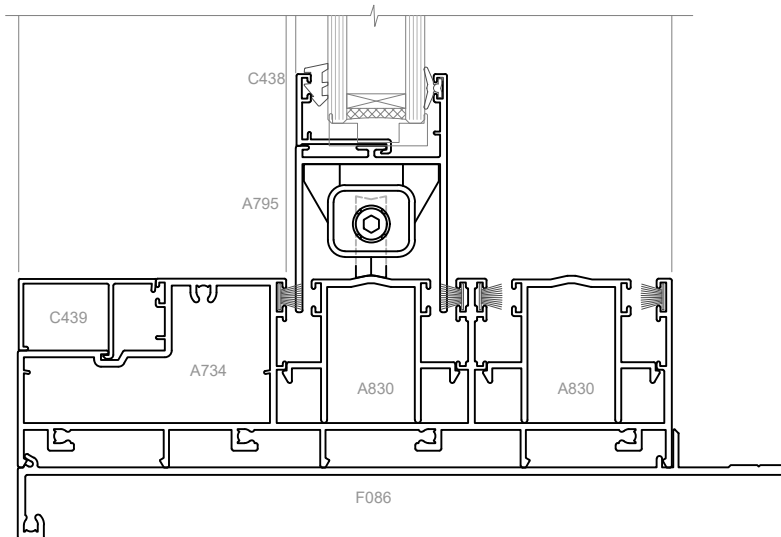
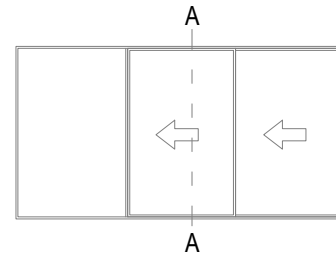
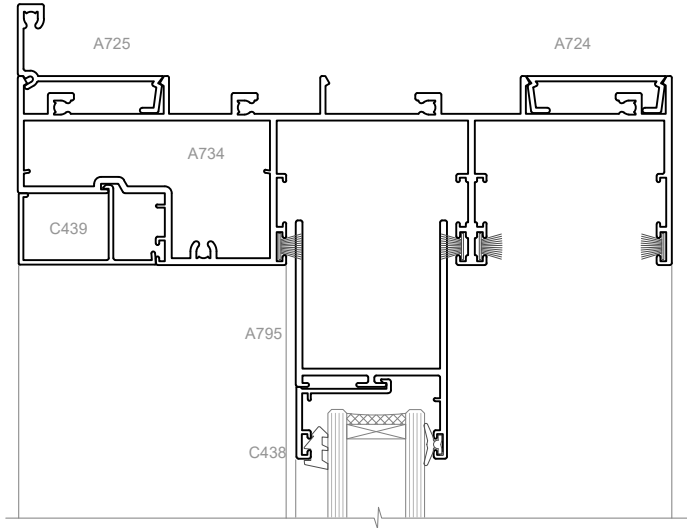






SECTION A-A

STACKING WINDOW



SECTION A-A

STACKING WINDOW

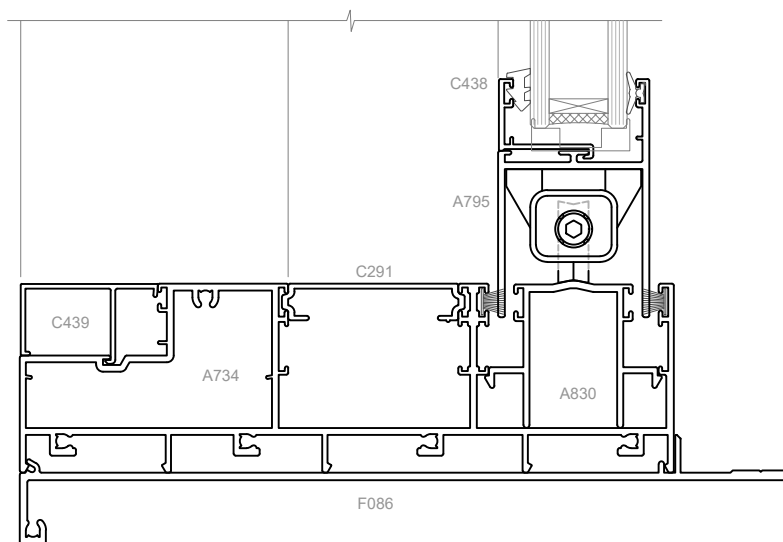
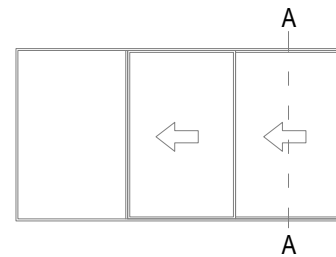
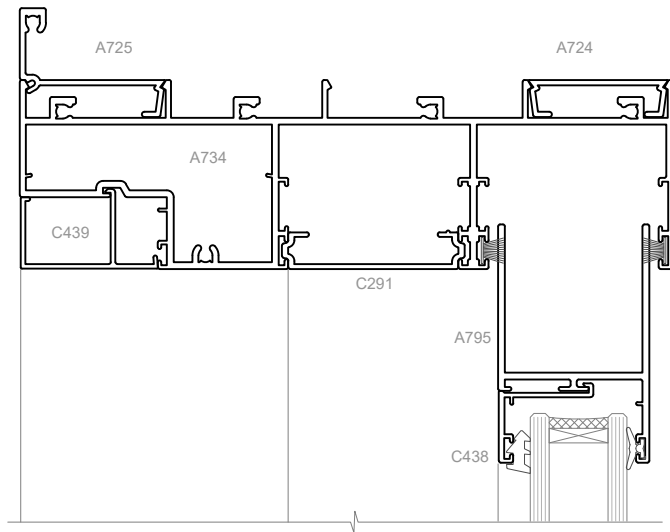
Rev 0



# Architectural Cubic 40

Cross Sectional

CAD Details

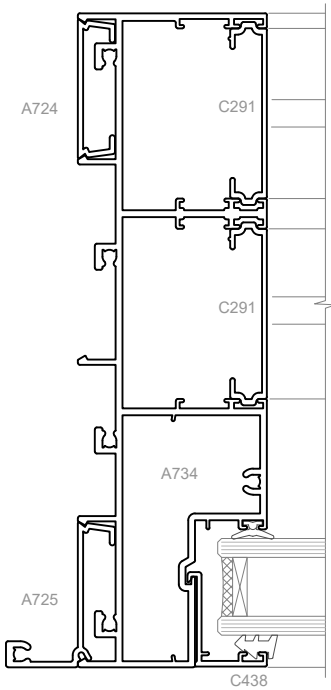


SECTION A-A

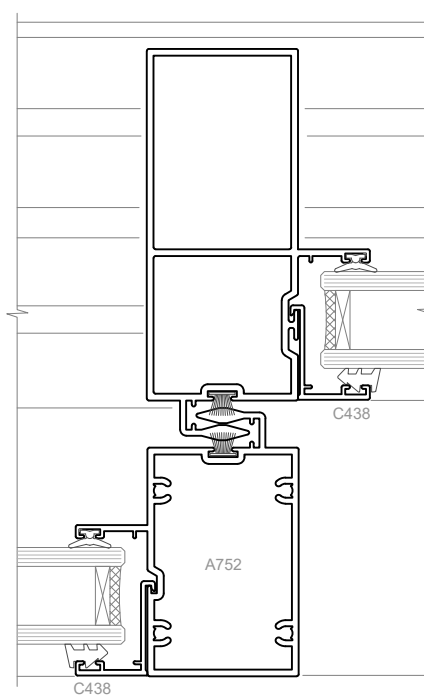
STACKING WINDOW

Rev 0

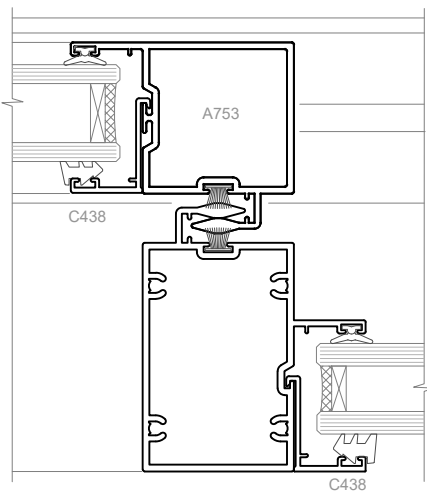
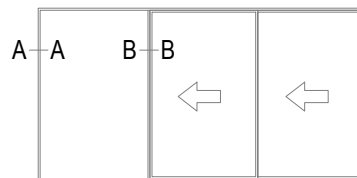




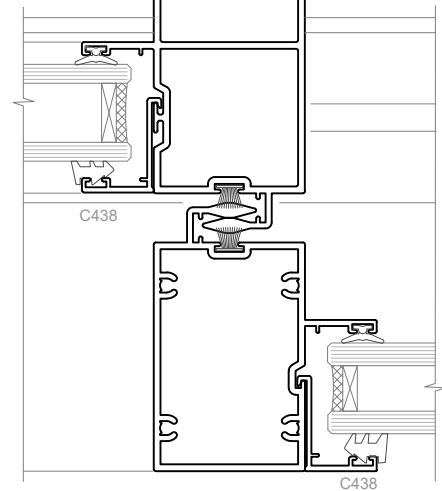
SECTION A-A



SECTION B-B



SECTION B-B

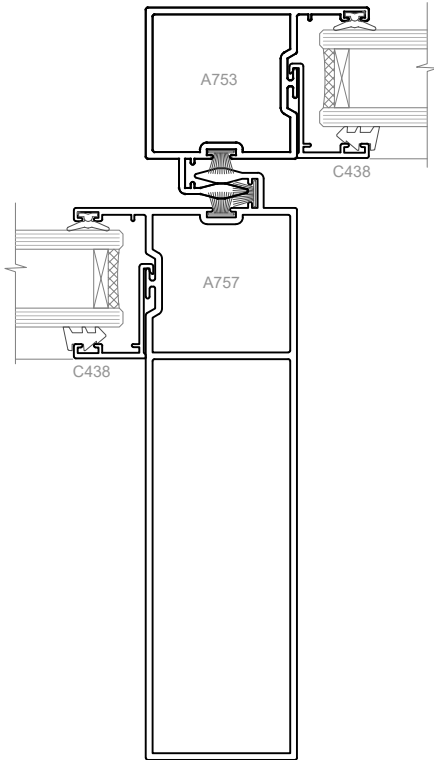


SECTION B-B

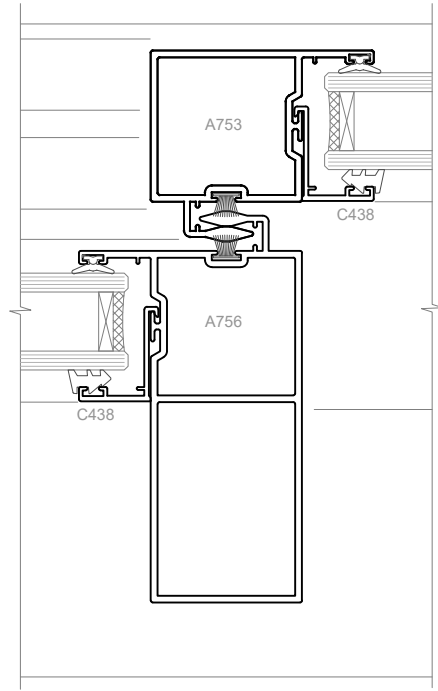
STACKING WINDOW

Rev 0

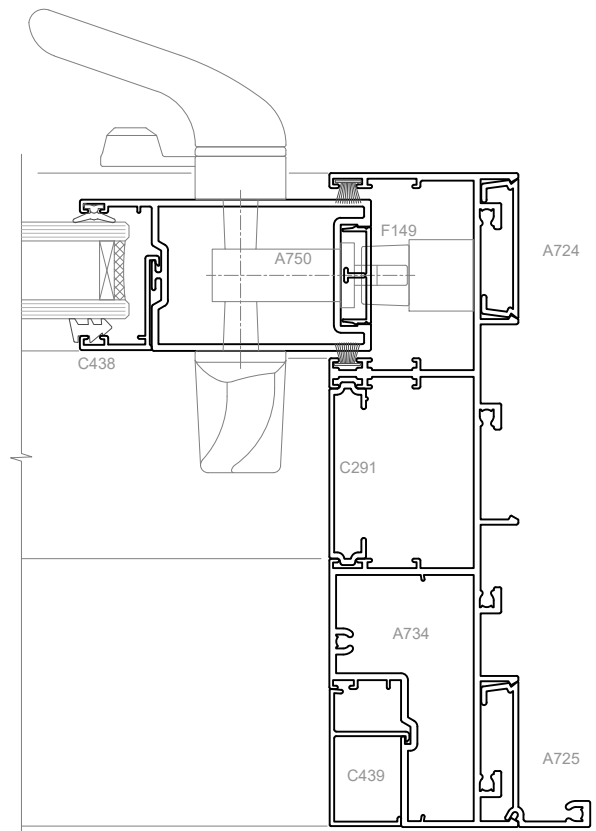
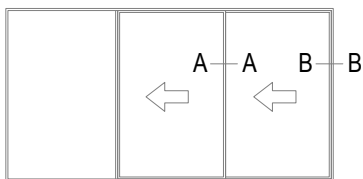




SECTION A-A



SECTION A-A

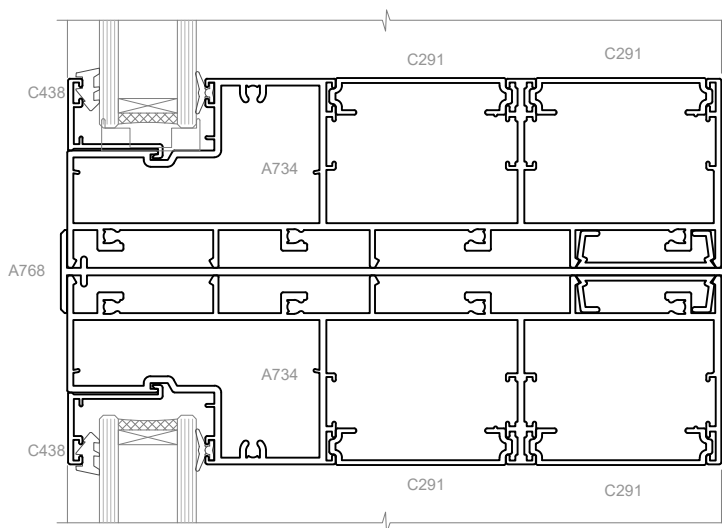
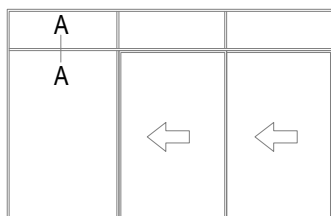


SECTION A-A

STACKING WINDOW

Rev 0



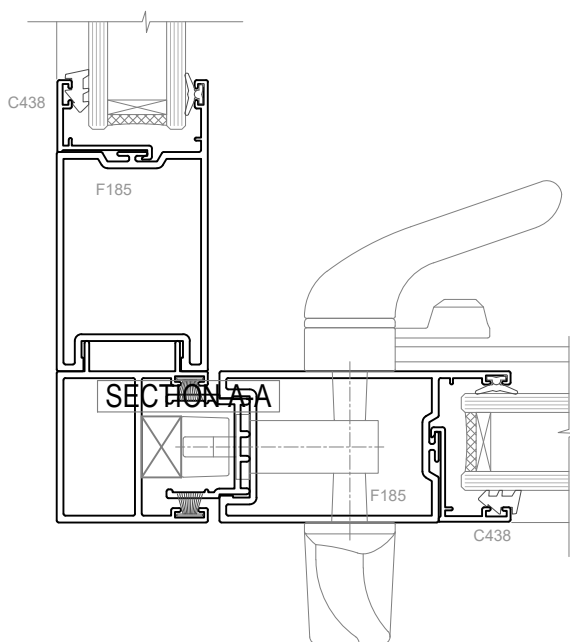
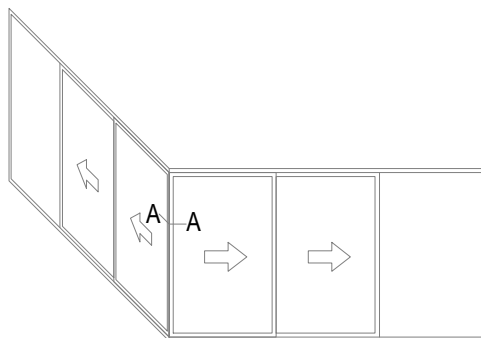


SECTION A-A

STACKING WINDOW

Rev 0





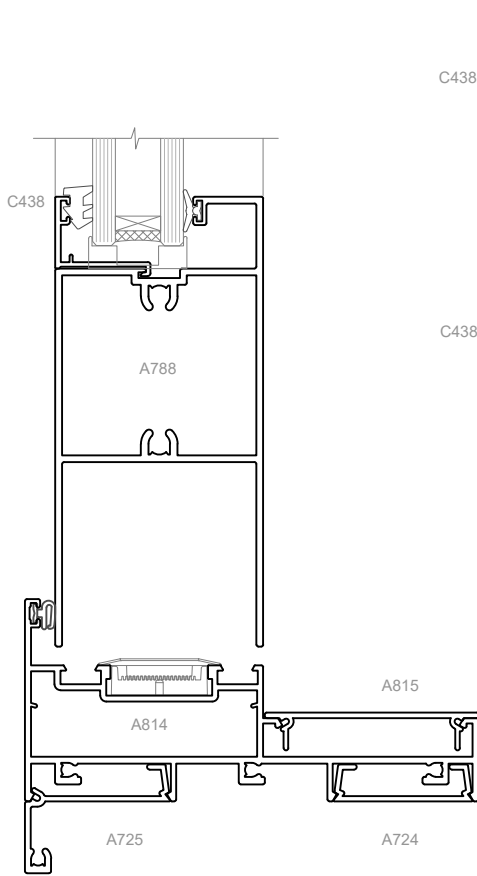
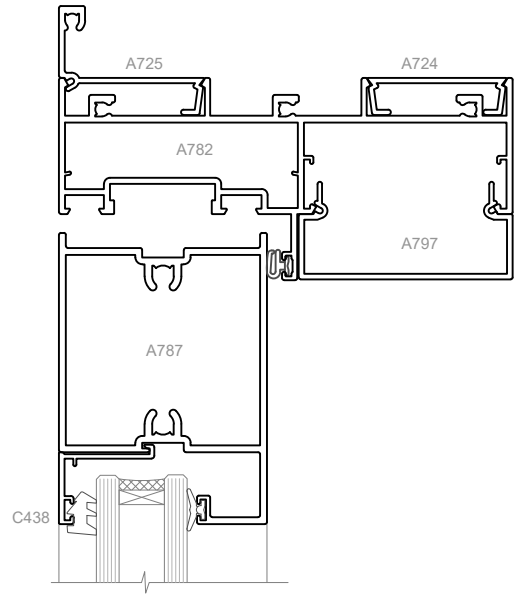
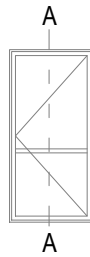
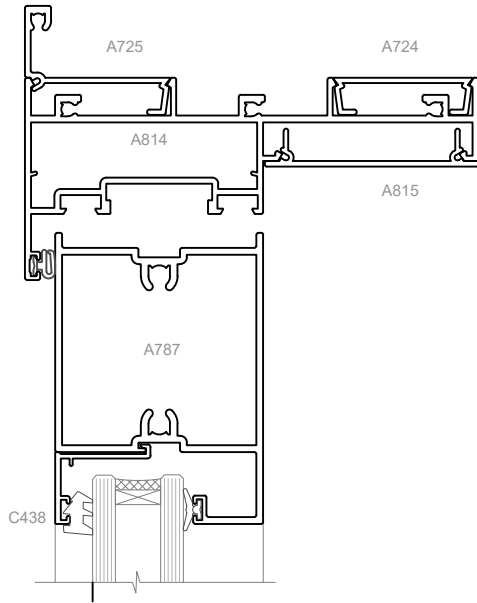
SECTION A-A

SECTION A-A

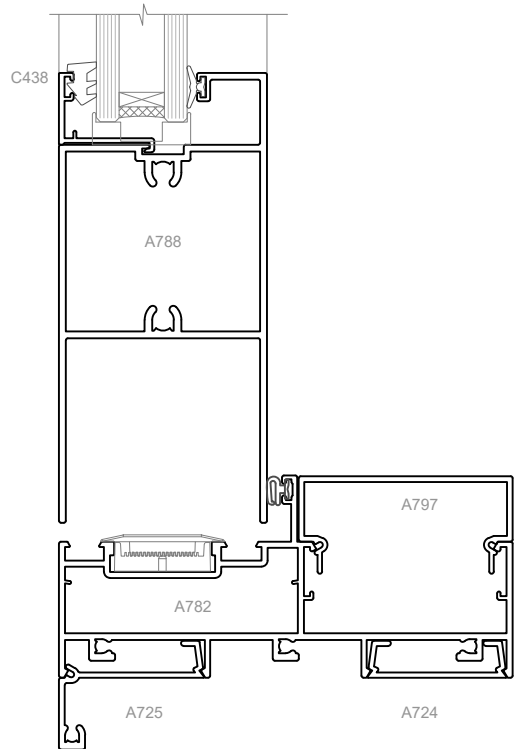
STACKING WINDOW

Rev 0





SECTION A-A



SECTION A-A

HINGED DOOR

Rev 0

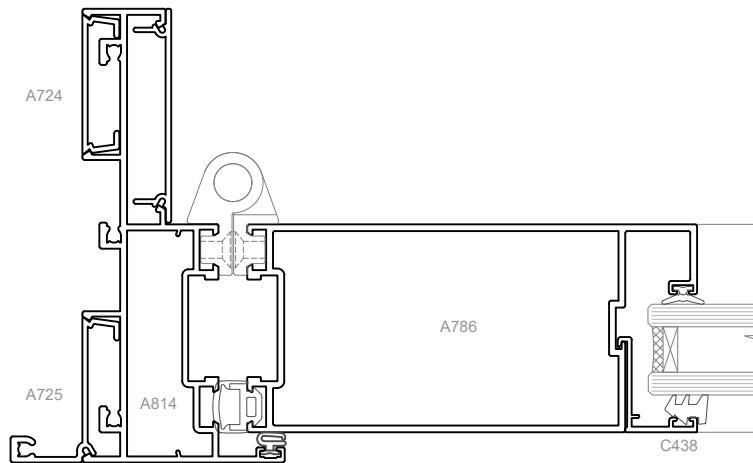




# Architectural Cubic 40

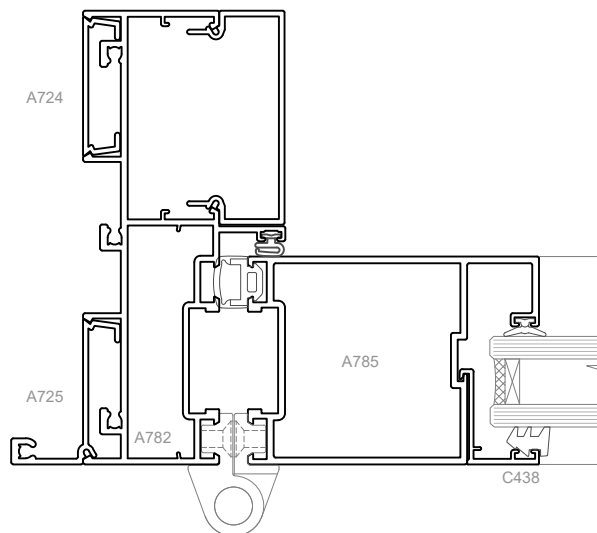
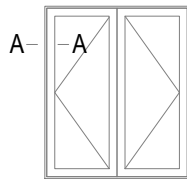
Cross Sectional

CAD Details



**SECTION A-A**

WIDE STILE OPTION



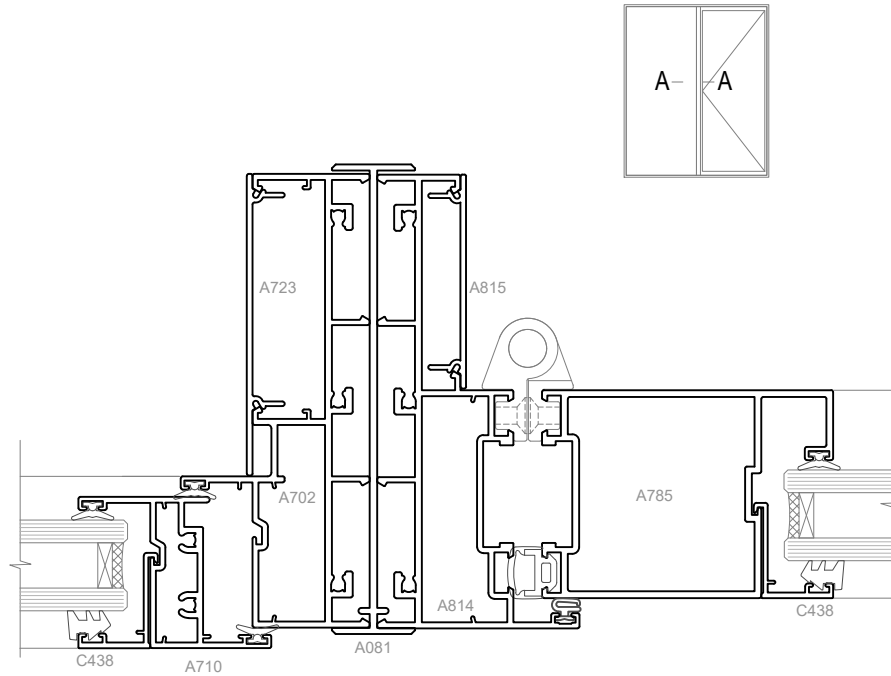
**SECTION A-A**

STANDARD STILE OPTION

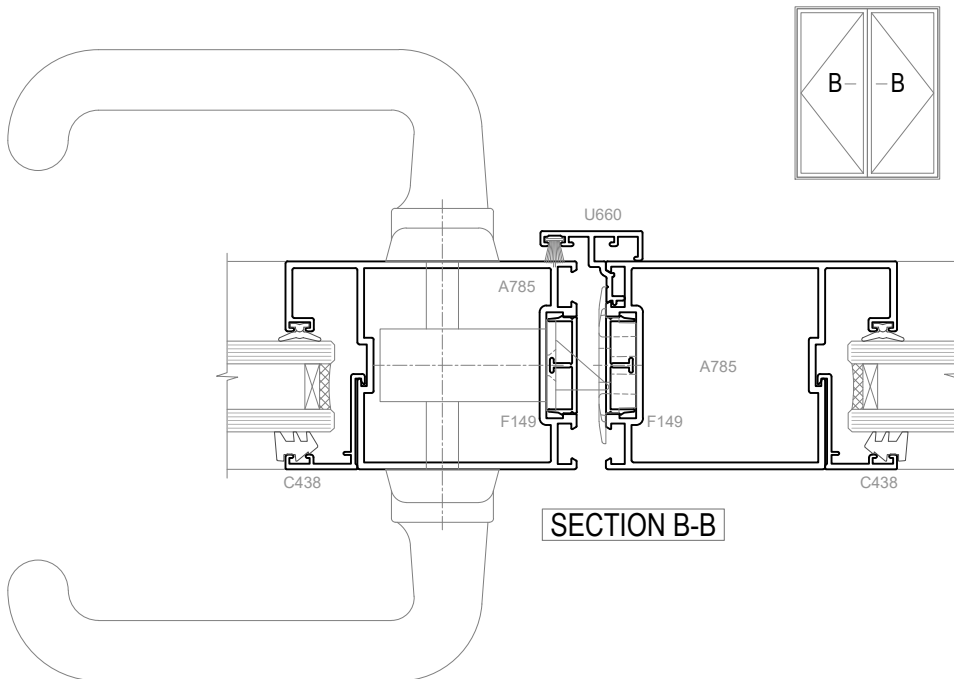
HINGED DOOR

Rev 0





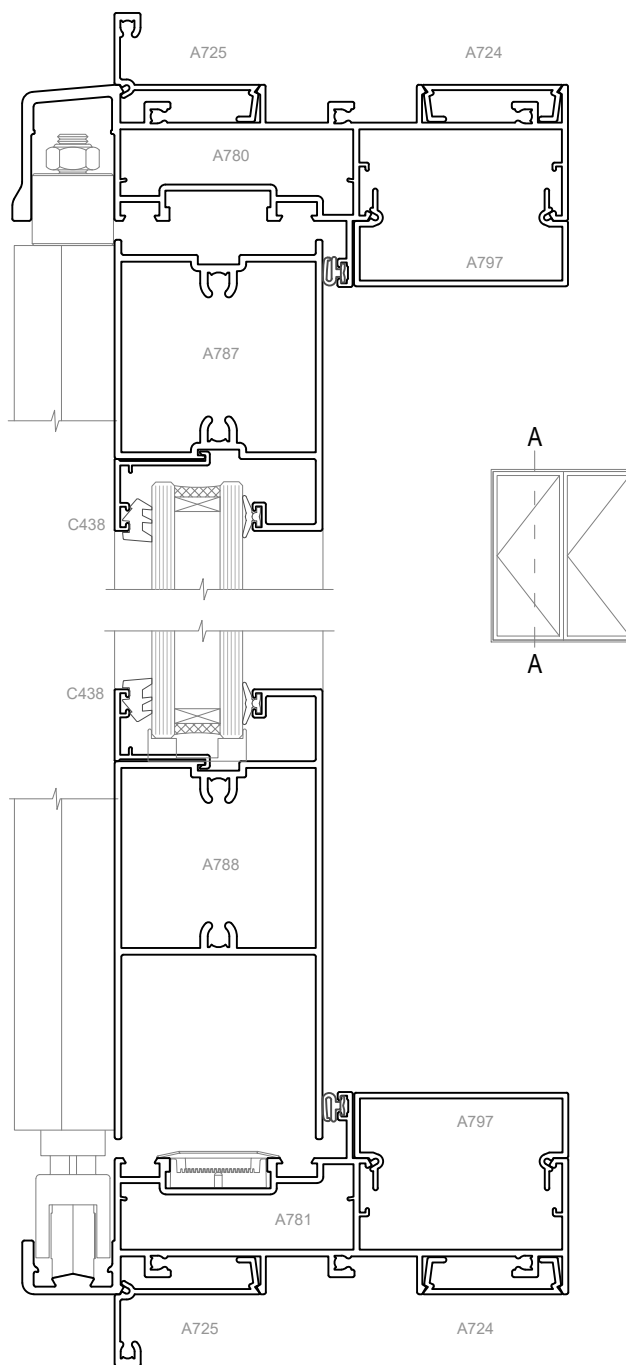
SECTION A-A



SECTION B-B

Rev 0





SECTION A-A

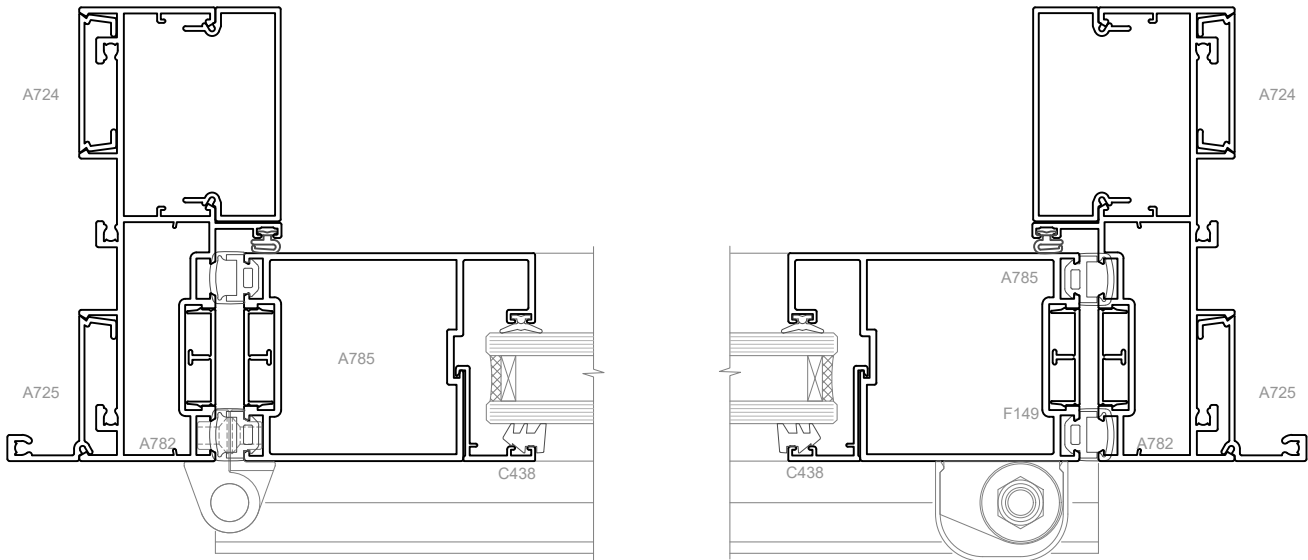
BOTTOM ROLLING BIFOLD DOOR

Rev 0



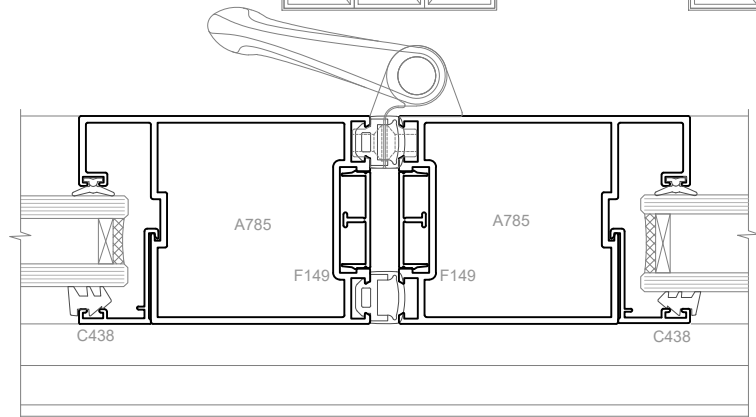
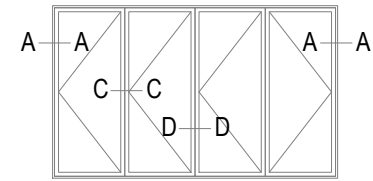
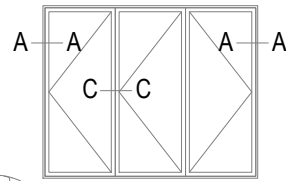
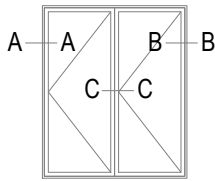
# Architectural Cubic 40

Cross Sectional  
CAD Details

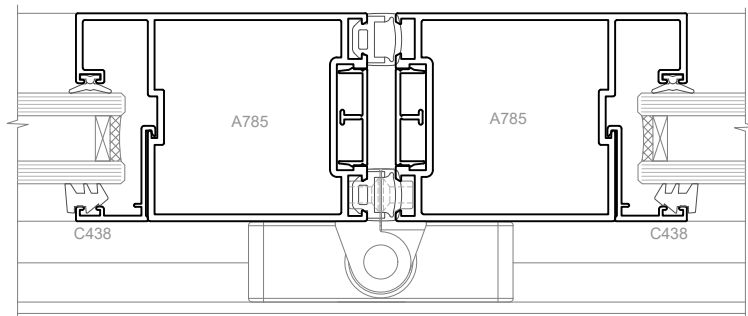


SECTION A-A

SECTION B-B



SECTION C-C

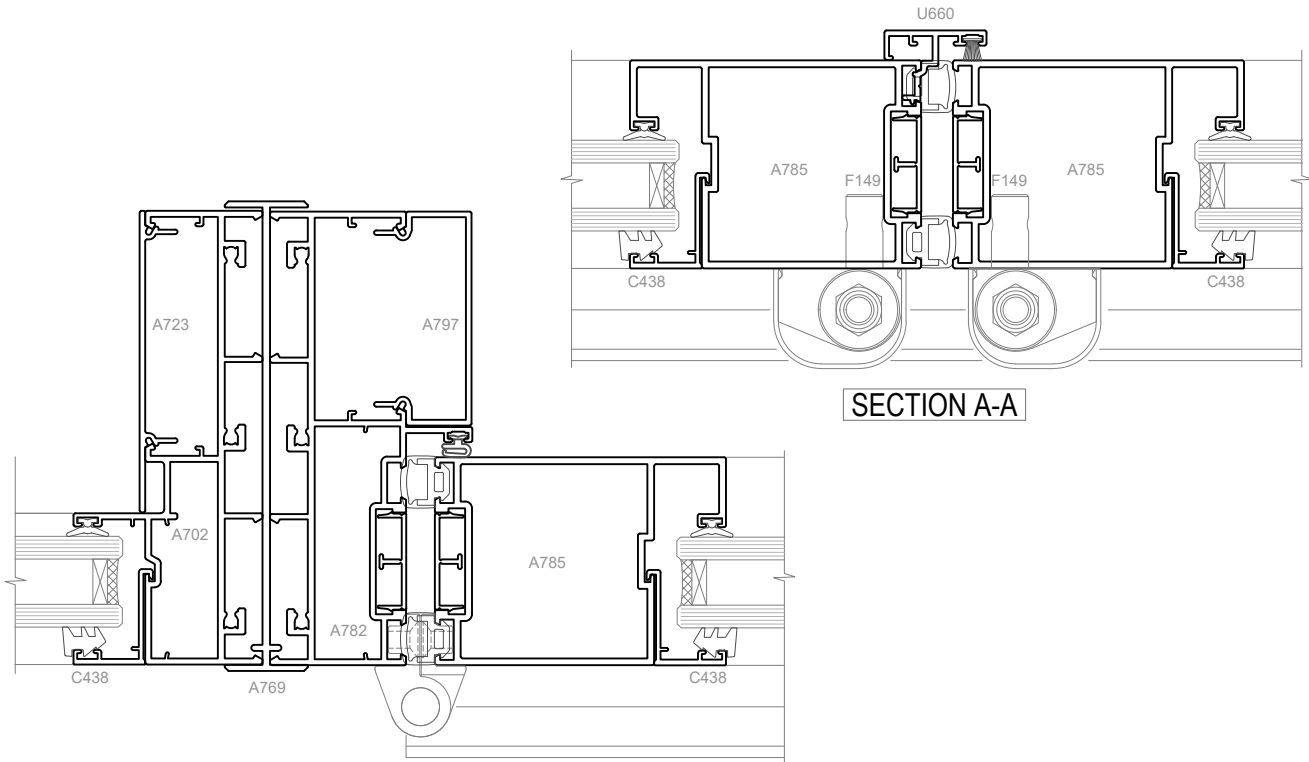


SECTION D-D

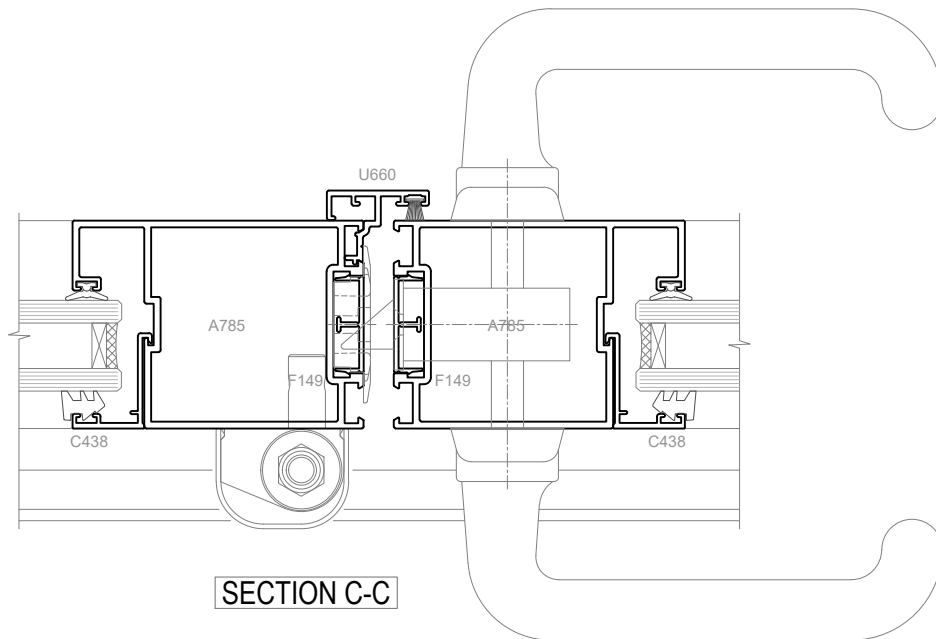
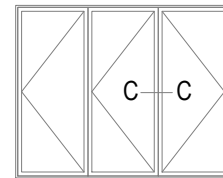
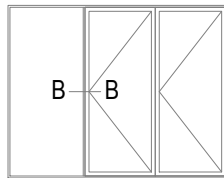
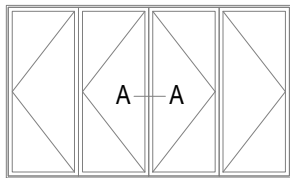
BOTTOM ROLLING BIFOLD DOOR

Rev 0





SECTION B-B



SECTION C-C

### BOTTOM ROLLING BIFOLD DOOR

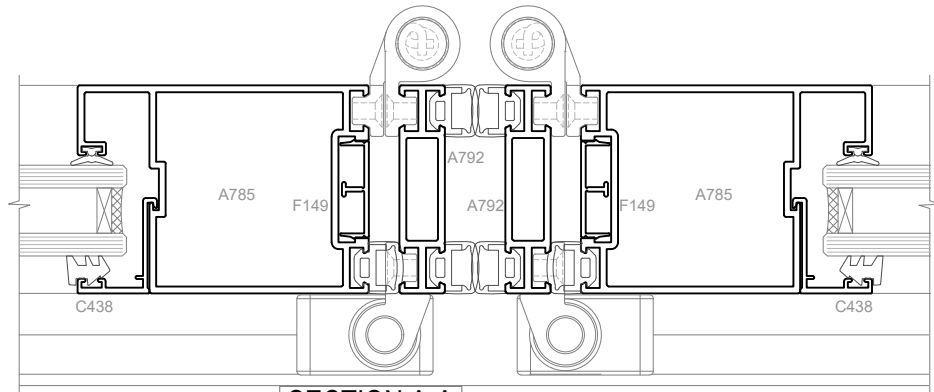
Rev 0



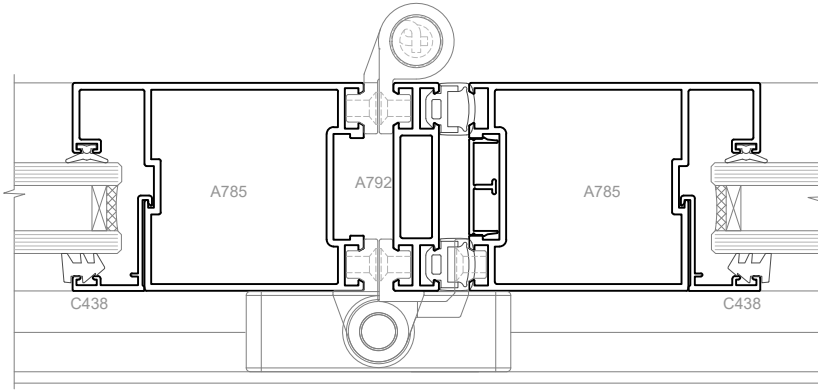
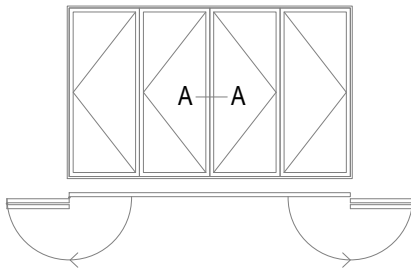
# Architectural Cubic 40

Cross Sectional

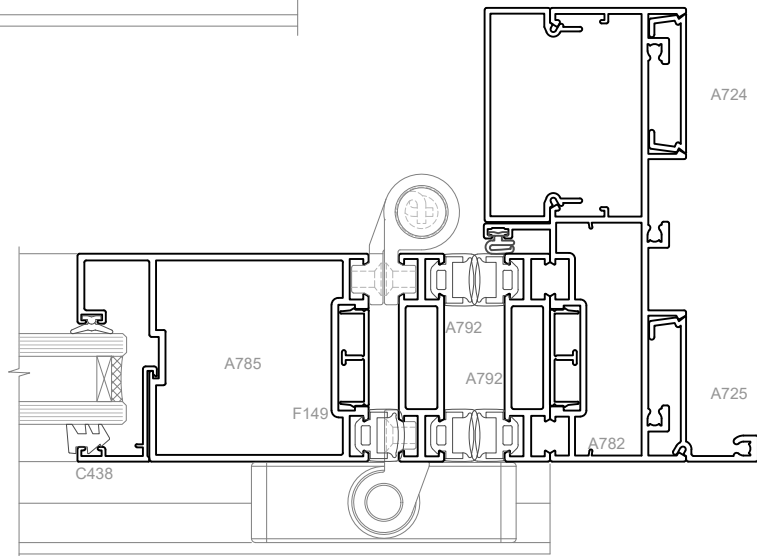
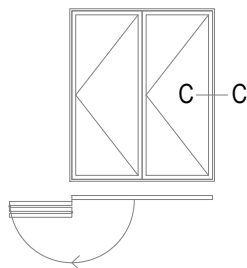
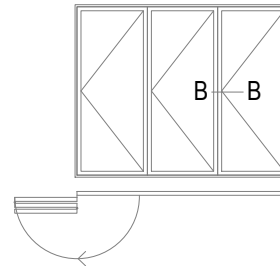
CAD Details



SECTION A-A



SECTION B-B



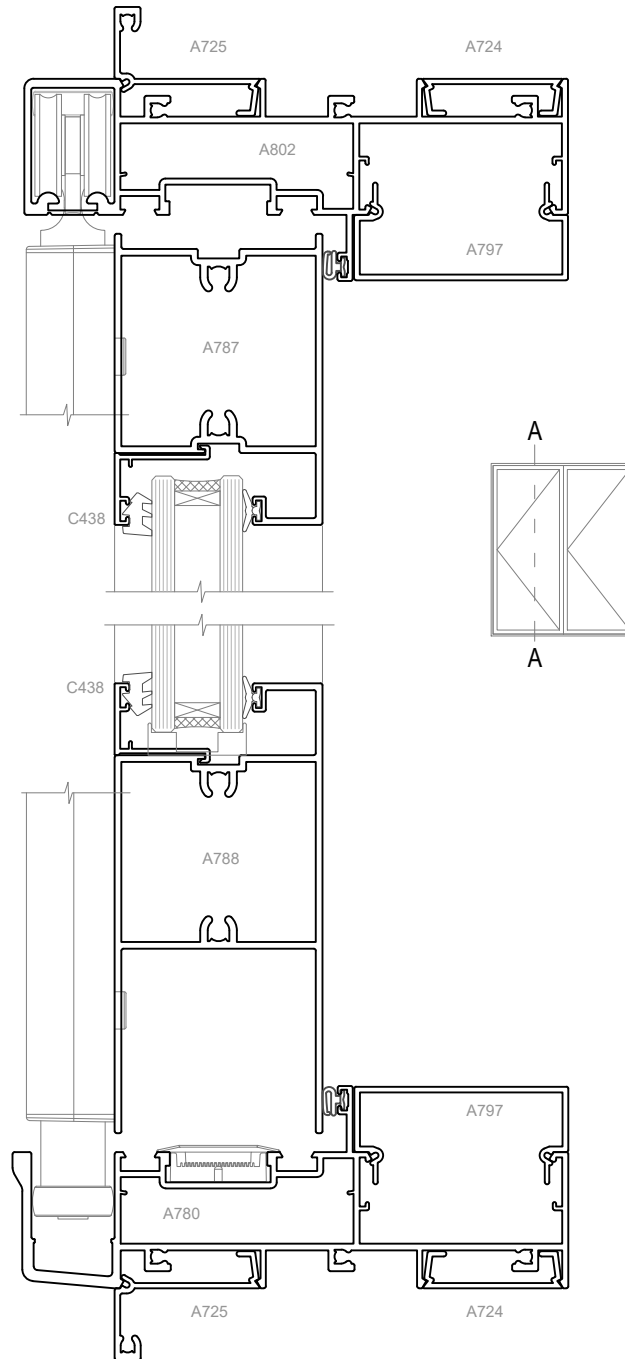
SECTION C-C

FREEFOLD

BOTTOM ROLLING BIFOLD DOOR

Rev 0





SECTION A-A

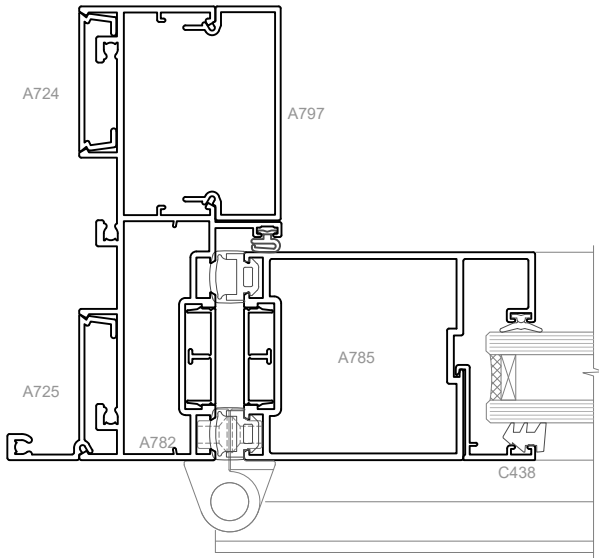
TOP HUNG CHANEL GUIDE BIFOLD DOOR

Rev 0

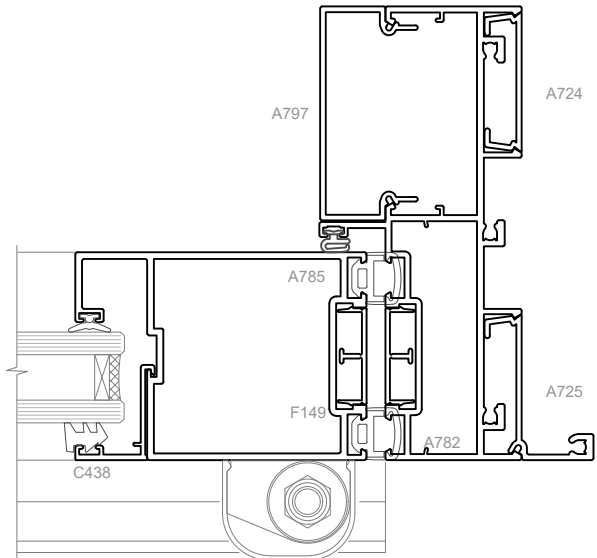


# Architectural Cubic 40

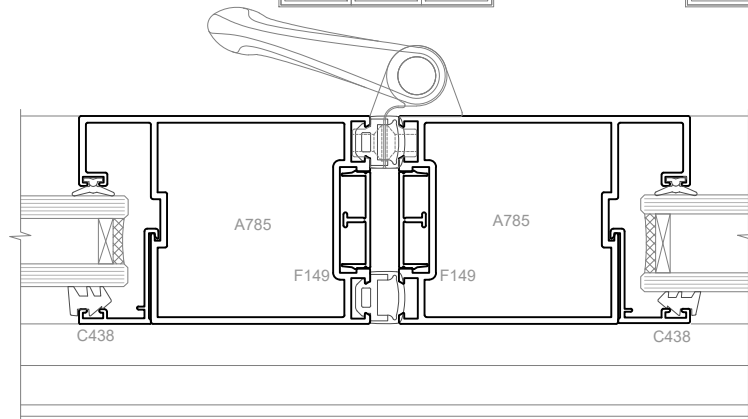
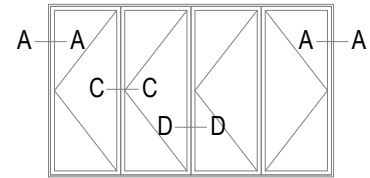
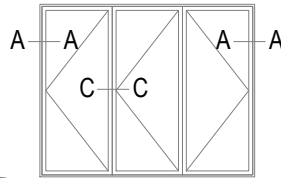
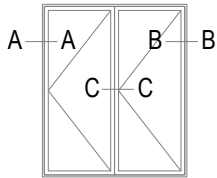
Cross Sectional  
CAD Details



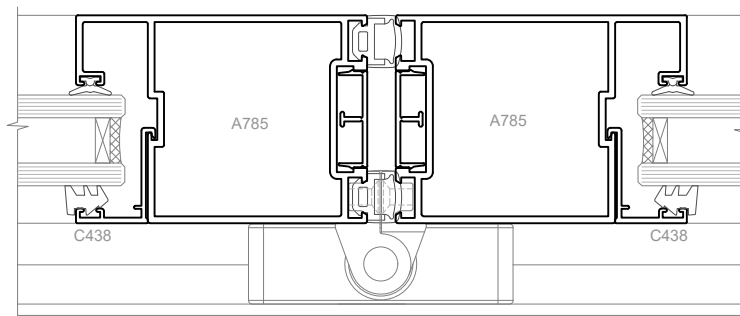
SECTION A-A



SECTION B-B



SECTION C-C



SECTION D-D

TOP HUNG CHANEL GUIDE BIFOLD DOOR

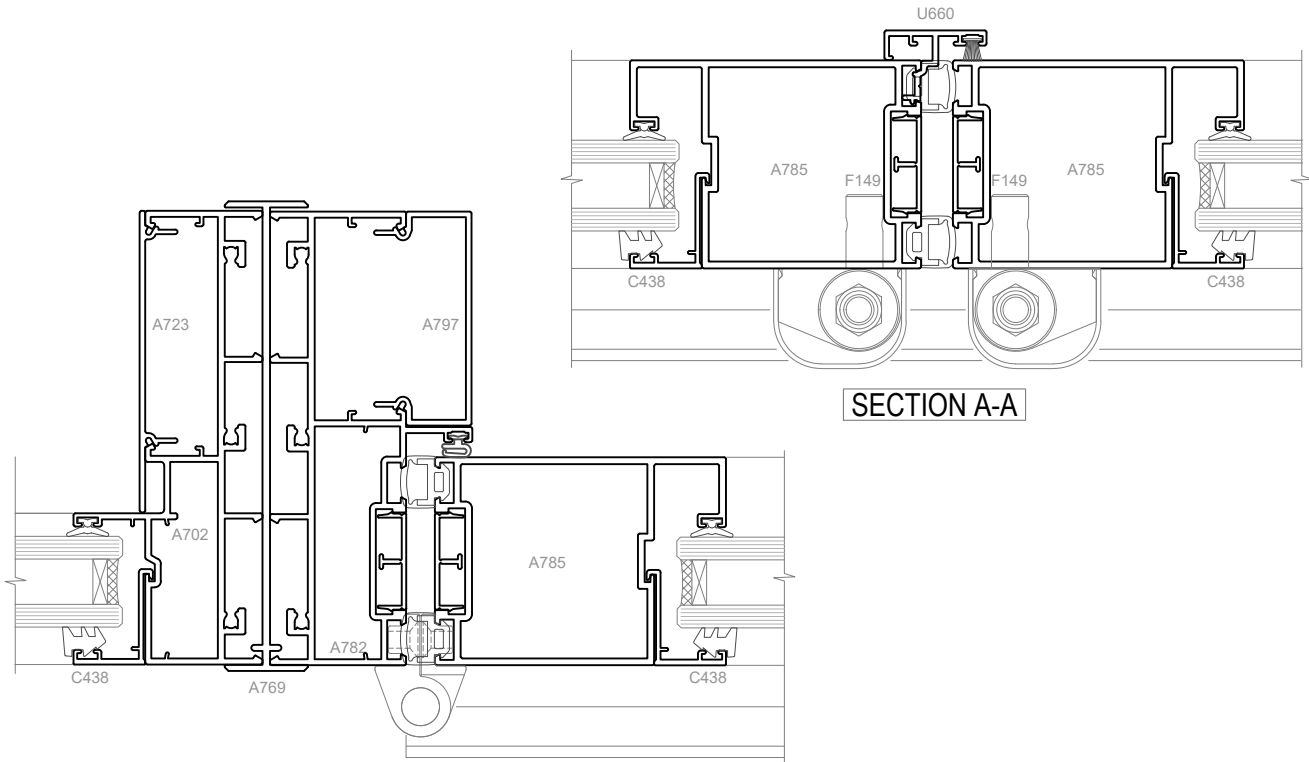
Rev 0



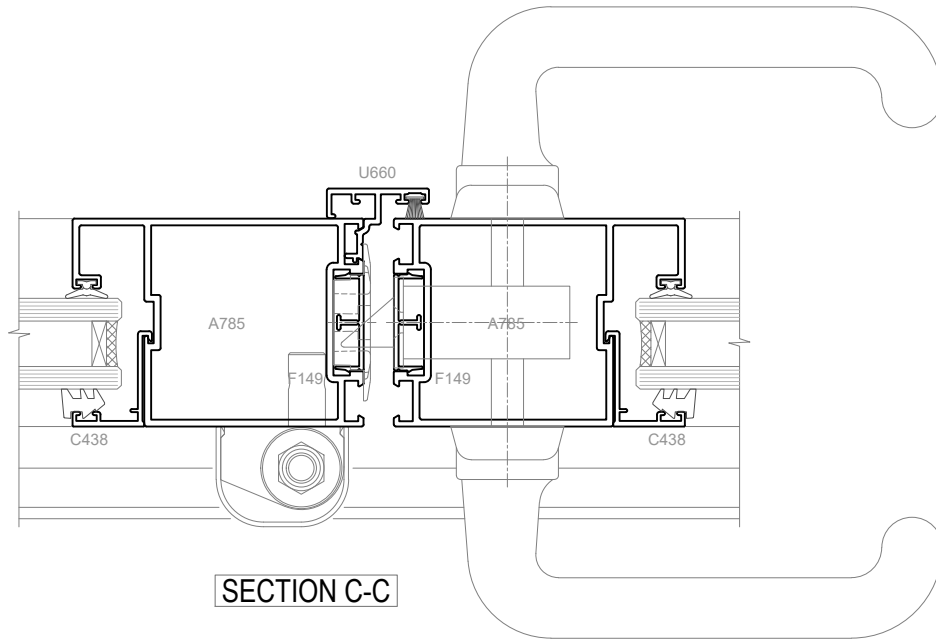
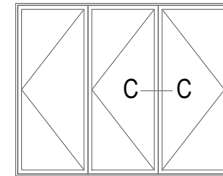
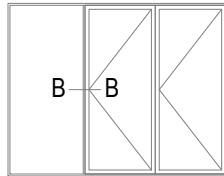
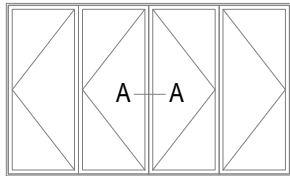


# Architectural Cubic 40

Cross Sectional  
CAD Details



SECTION B-B



SECTION C-C

TOP HUNG CHANEL GUIDE BIFOLD DOOR

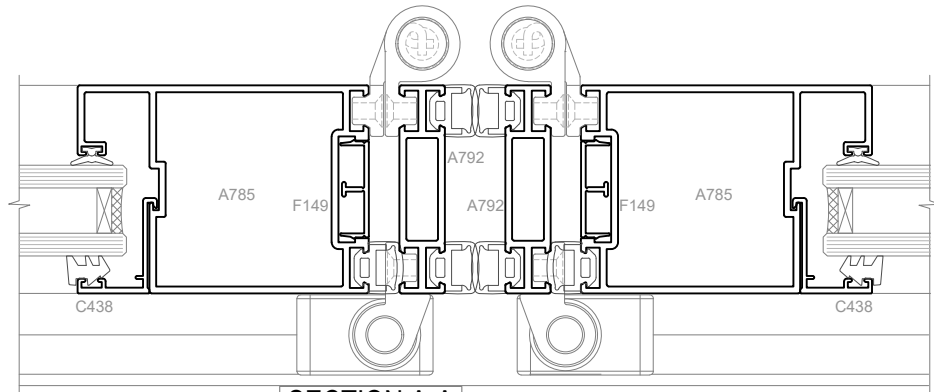
Rev 0



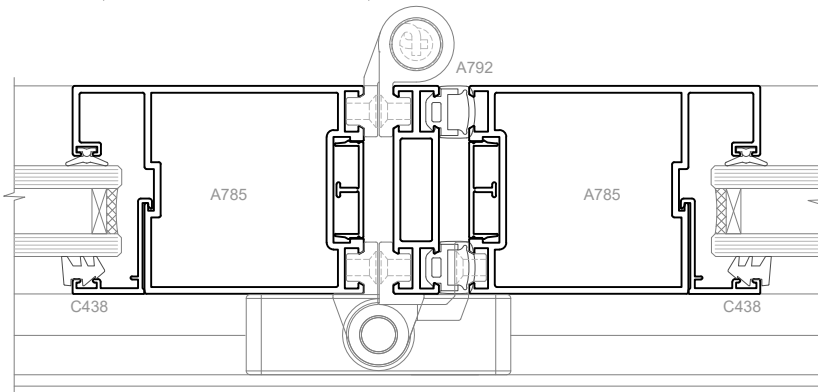
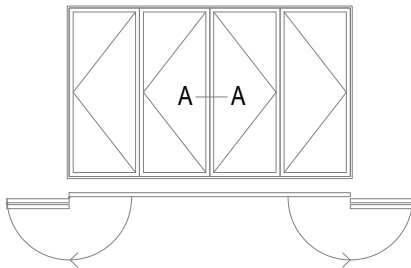
# Architectural Cubic 40

Cross Sectional

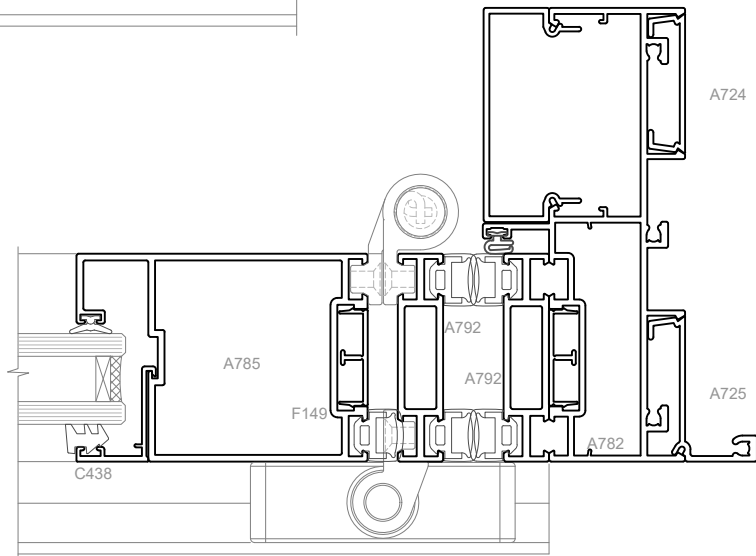
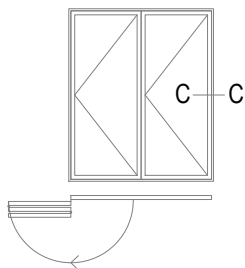
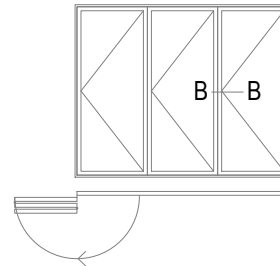
CAD Details



SECTION A-A



SECTION B-B



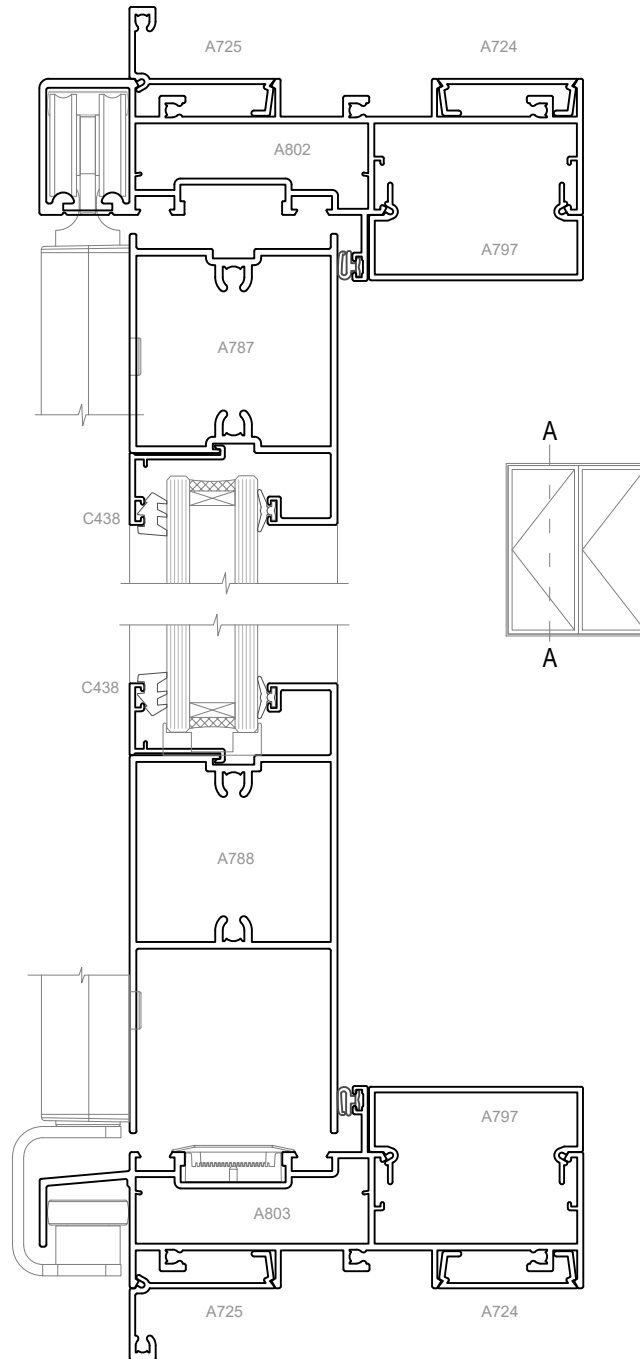
SECTION C-C

FREEFOLD

TOP HUNG CHANEL GUIDE BIFOLD DOOR

Rev 0





SECTION A-A

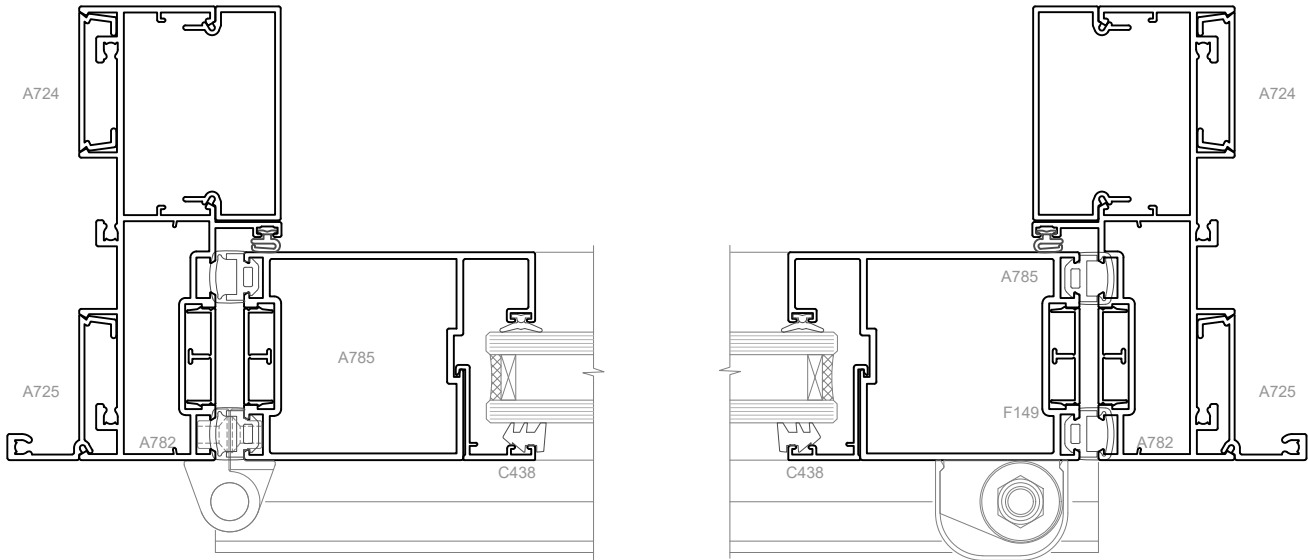
TOP HUNG HOODED GUIDE BIFOLD DOOR

Rev 0



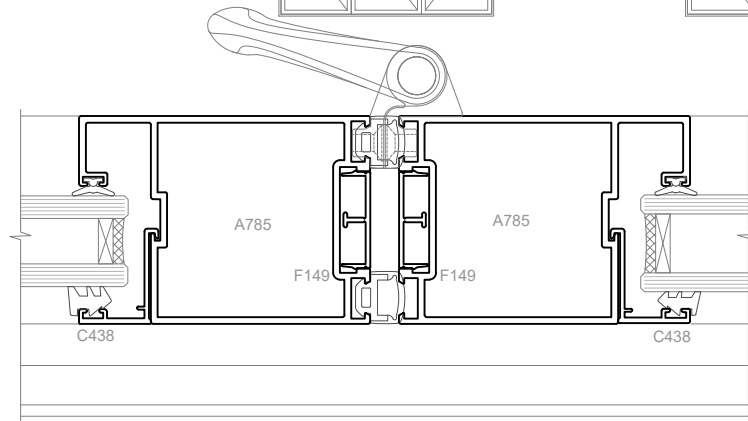
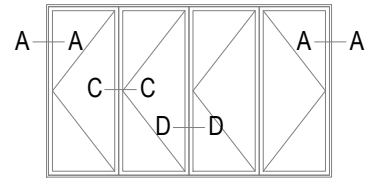
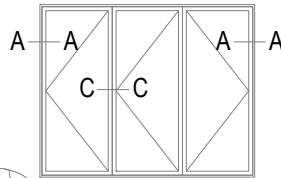
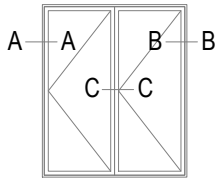
# Architectural Cubic 40

Cross Sectional  
CAD Details

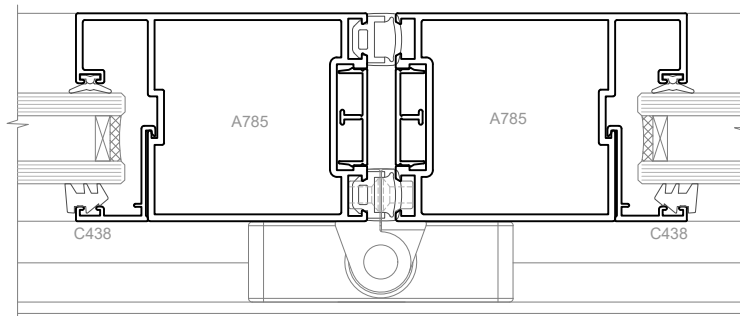


SECTION A-A

SECTION B-B



SECTION C-C



SECTION D-D

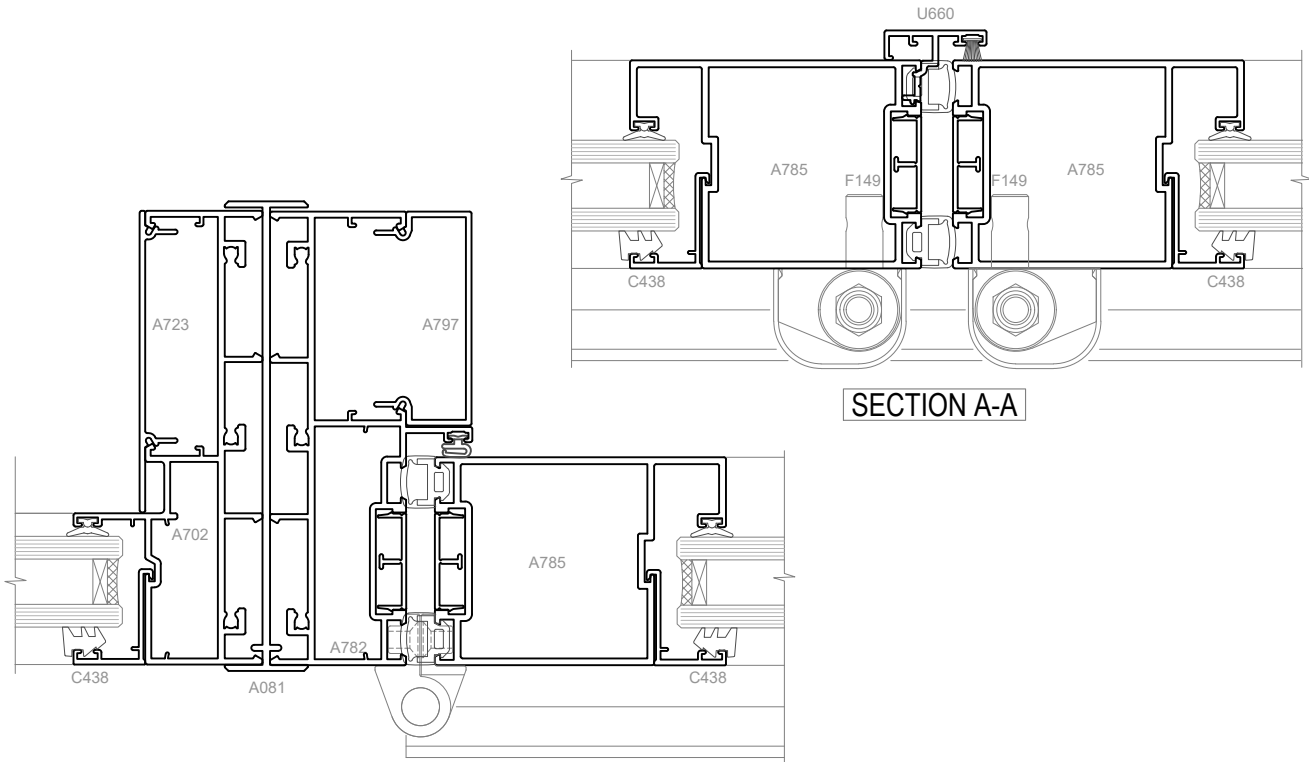
TOP HUNG HOOPED GUIDE BIFOLD DOOR

Rev 0

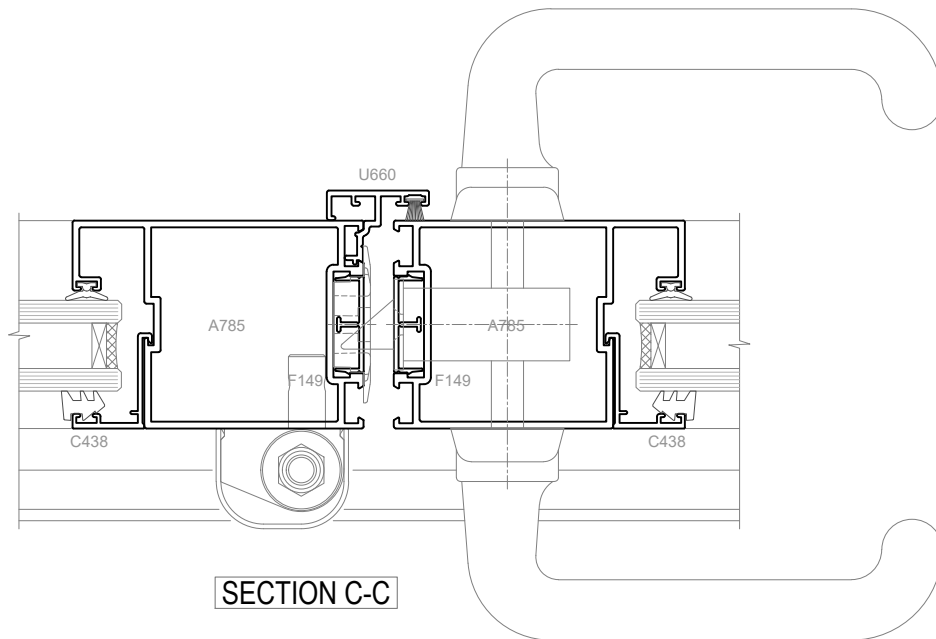
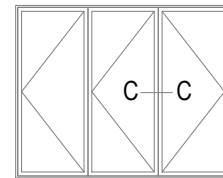
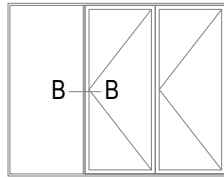
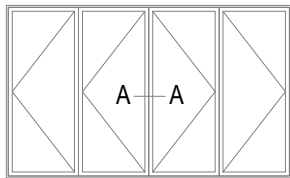


# Architectural Cubic 40

Cross Sectional  
CAD Details



SECTION B-B



SECTION C-C

## TOP HUNG HOODED GUIDE BIFOLD DOOR

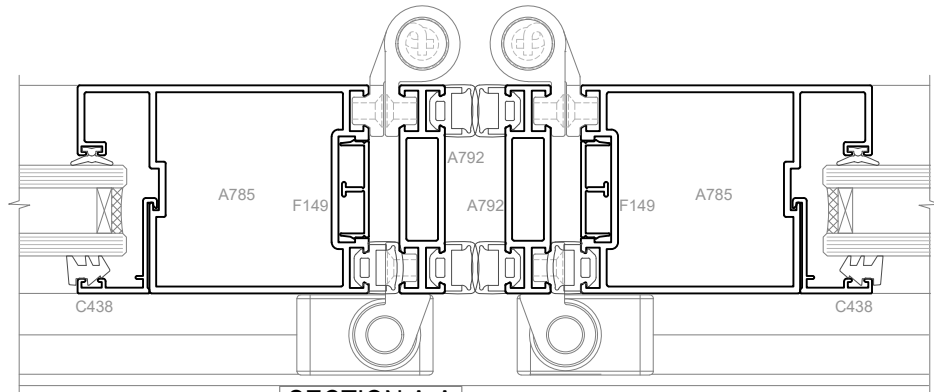
Rev 0



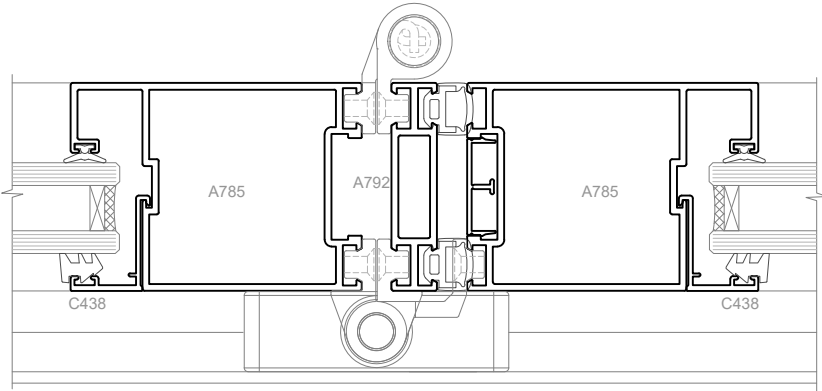
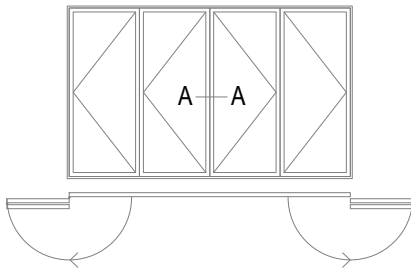
# Architectural Cubic 40

Cross Sectional

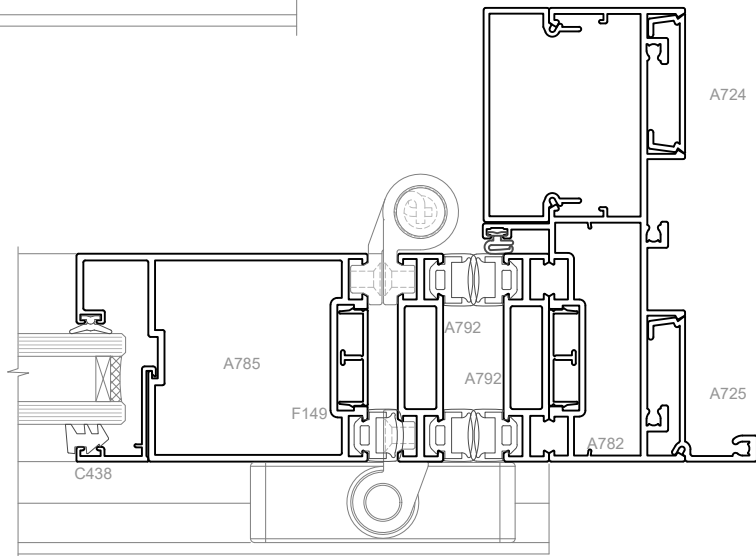
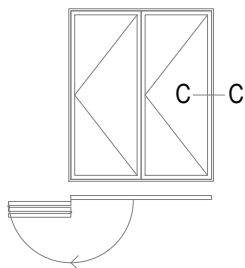
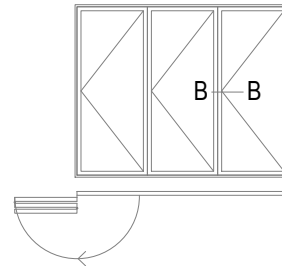
CAD Details



SECTION A-A



SECTION B-B



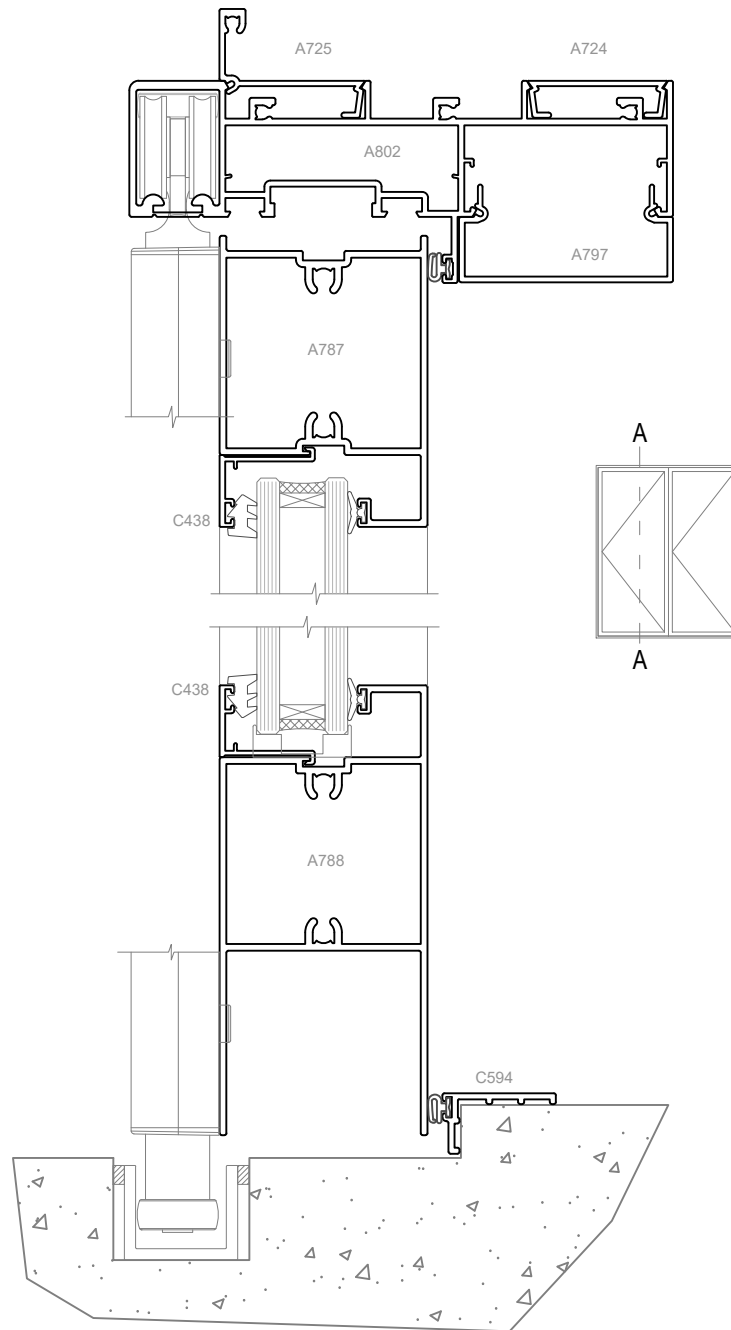
SECTION C-C

FREEFOLD

TOP HUNG HOODED GUIDE BIFOLD DOOR

Rev 0





SECTION A-A

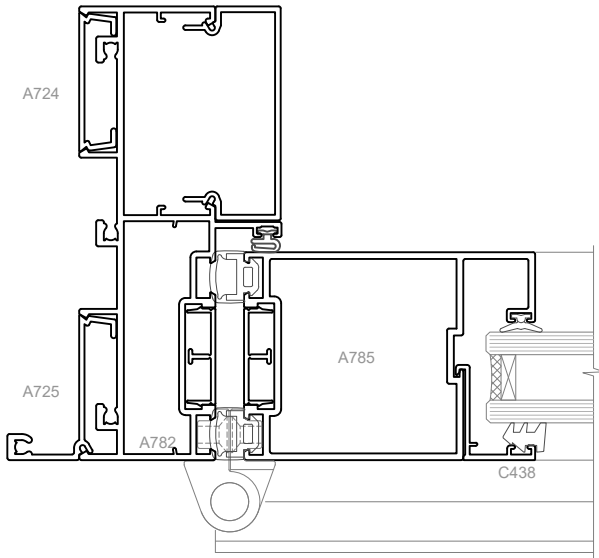
TOP HUNG NON-WEATHERED GUIDE BIFOLD DOOR

Rev 0

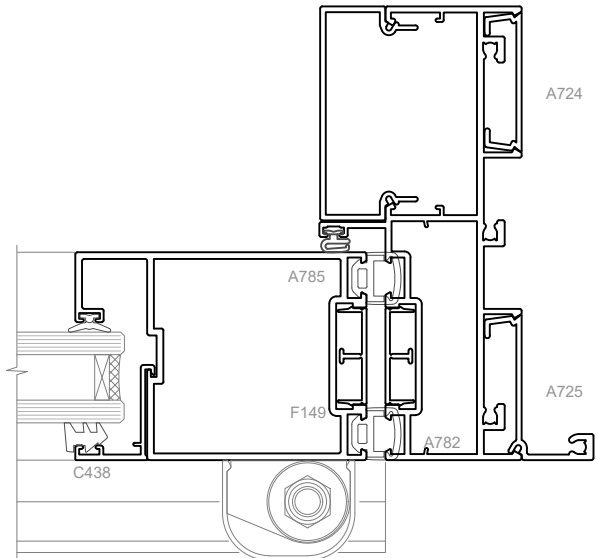


# Architectural Cubic 40

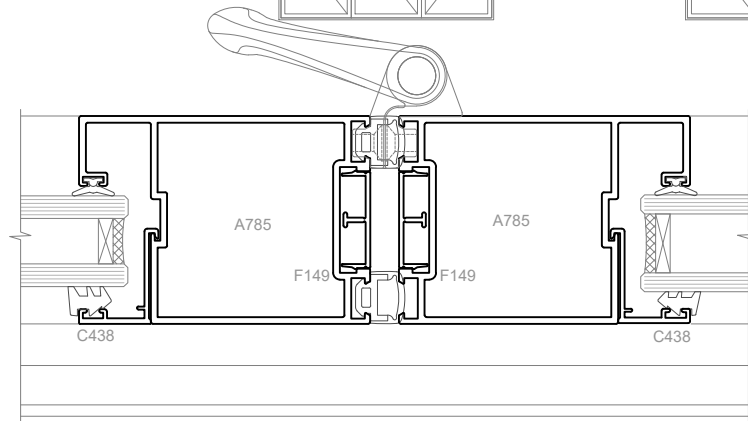
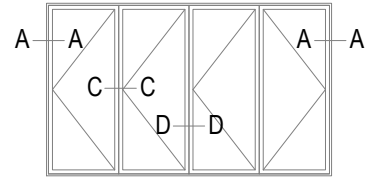
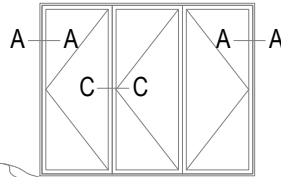
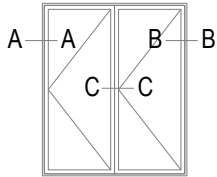
Cross Sectional  
CAD Details



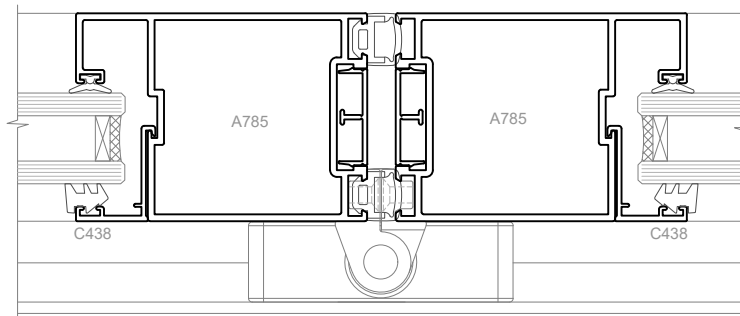
SECTION A-A



SECTION B-B



SECTION C-C



SECTION D-D

TOP HUNG NON-WEATHERED GUIDE BIFOLD DOOR

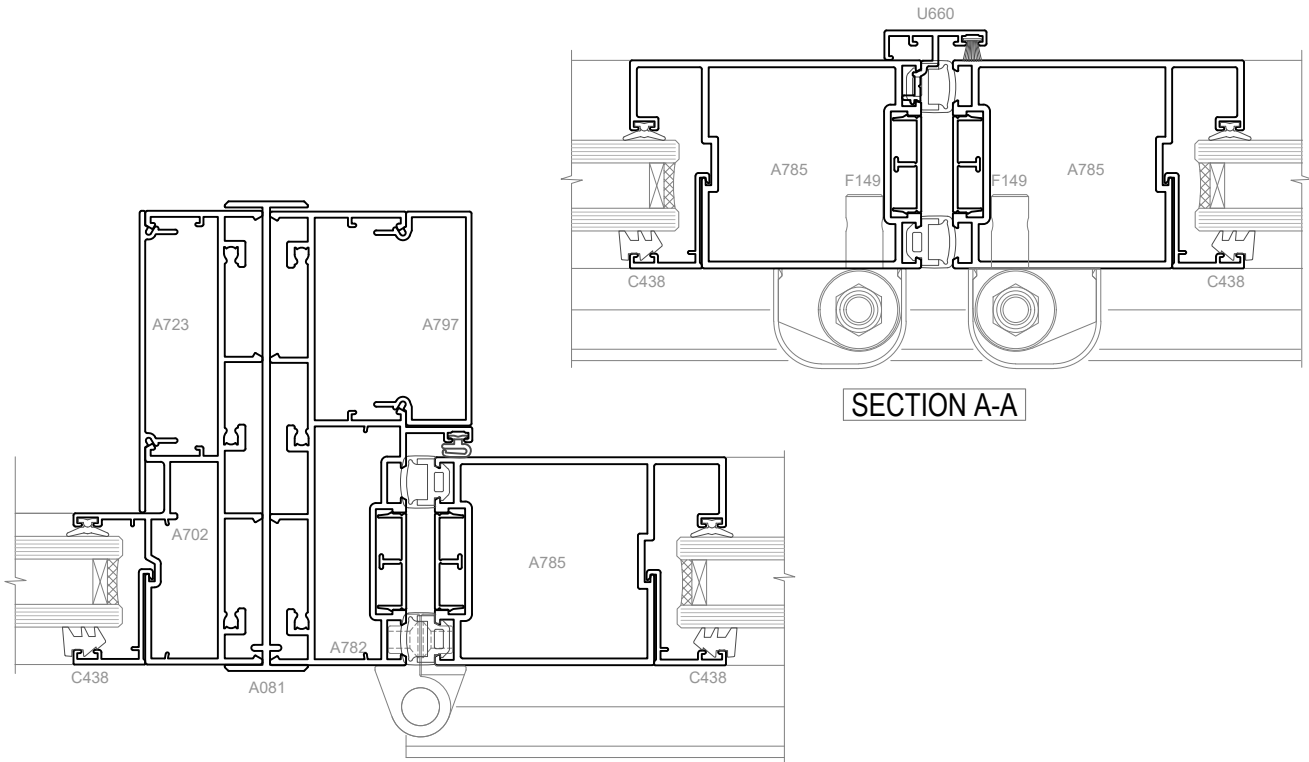
Rev 0



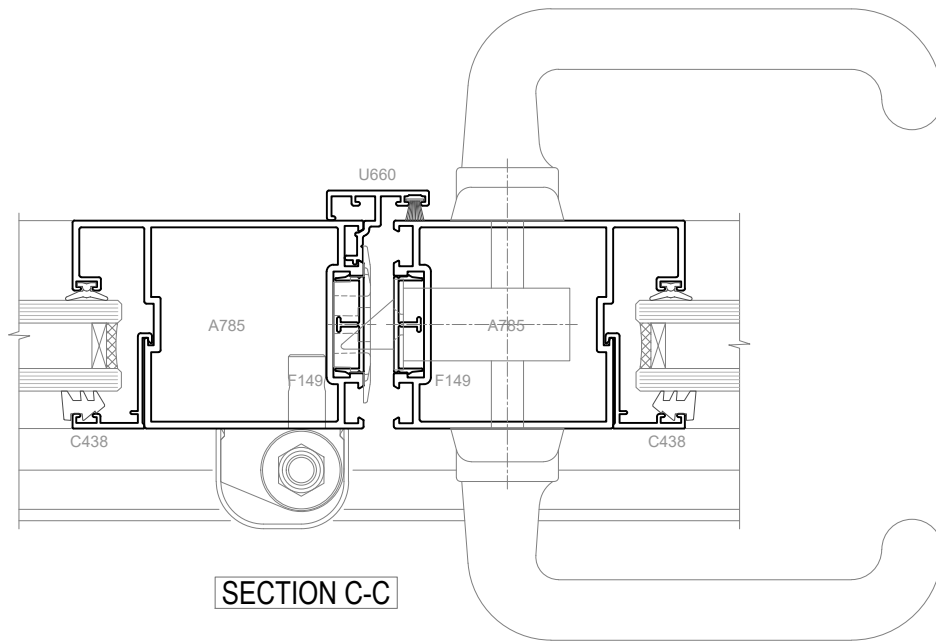
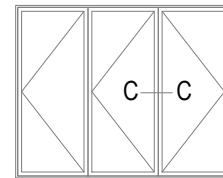
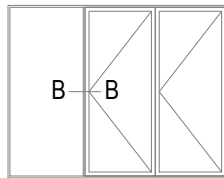
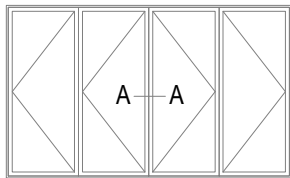


# Architectural Cubic 40

Cross Sectional  
CAD Details



SECTION B-B



SECTION C-C

TOP HUNG NON-WEATHERED GUIDE BIFOLD DOOR

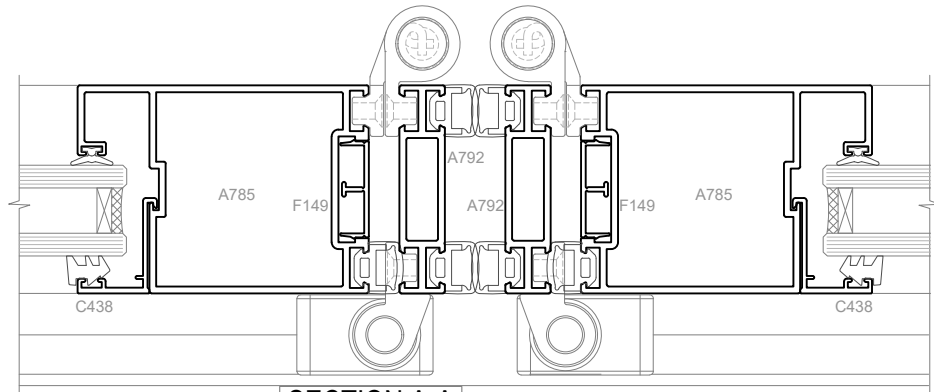
Rev 0



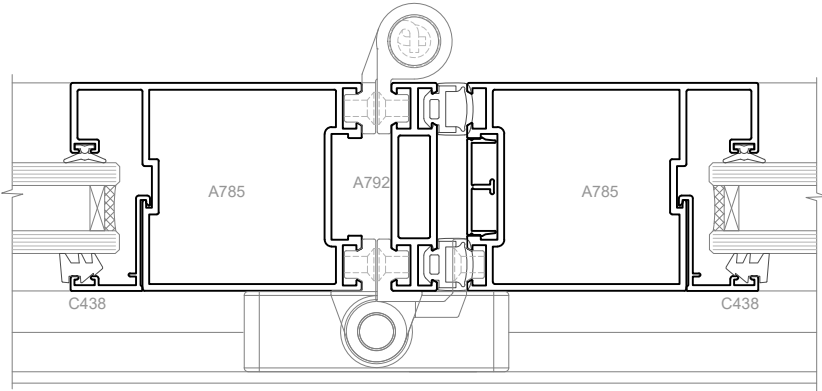
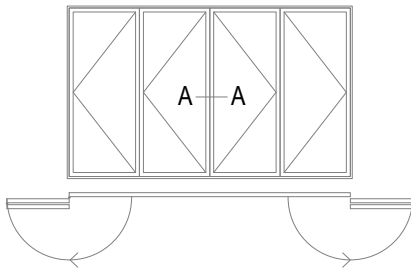
# Architectural Cubic 40

Cross Sectional

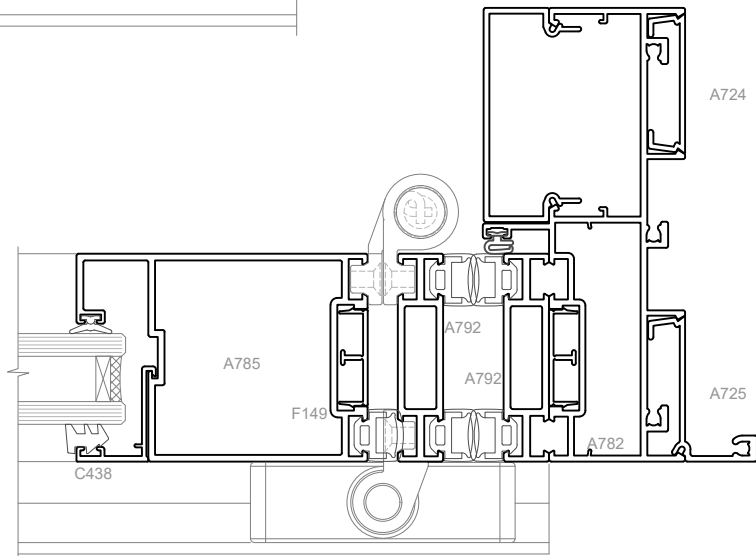
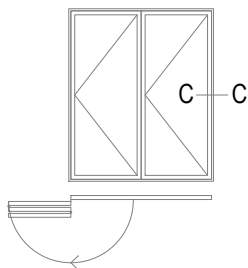
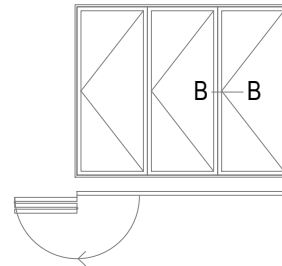
CAD Details



SECTION A-A



SECTION B-B



SECTION C-C

FREEFOLD

TOP HUNG NON-WEATHERED GUIDE BIFOLD DOOR

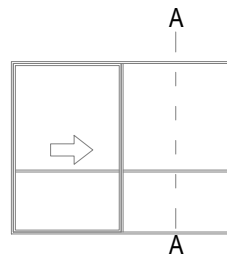
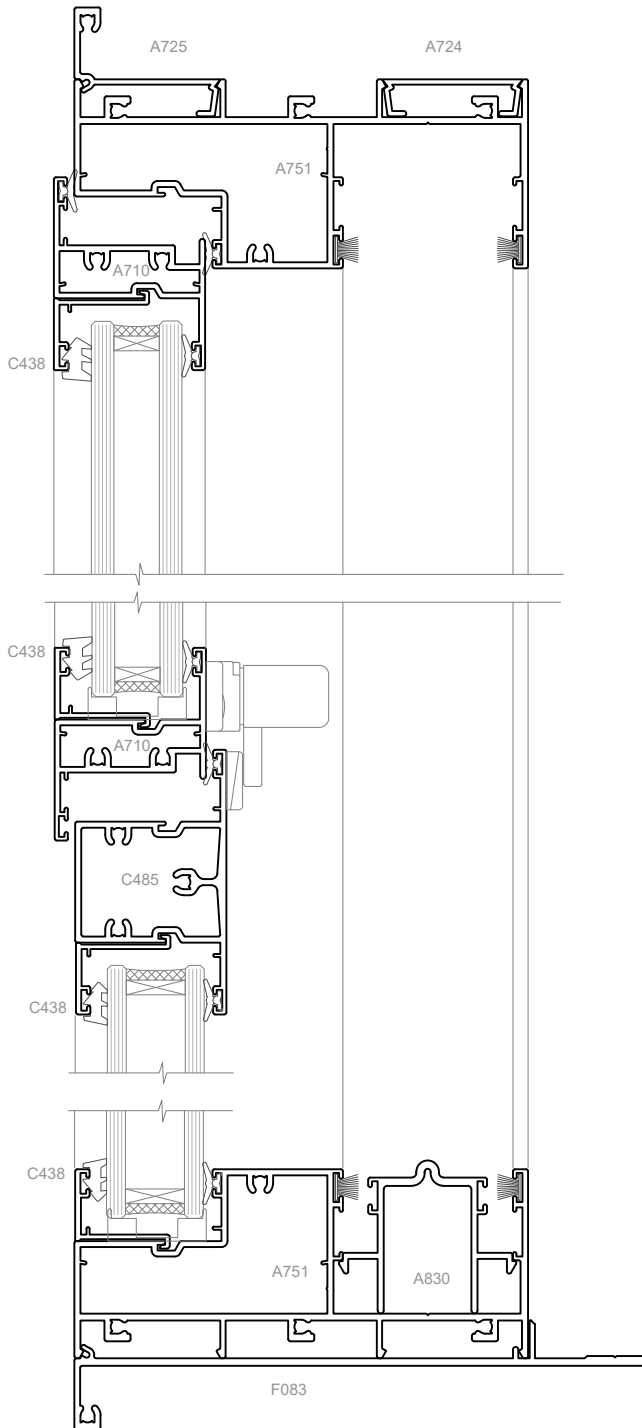
Rev 0



# Architectural Cubic 40

Cross Sectional

CAD Details

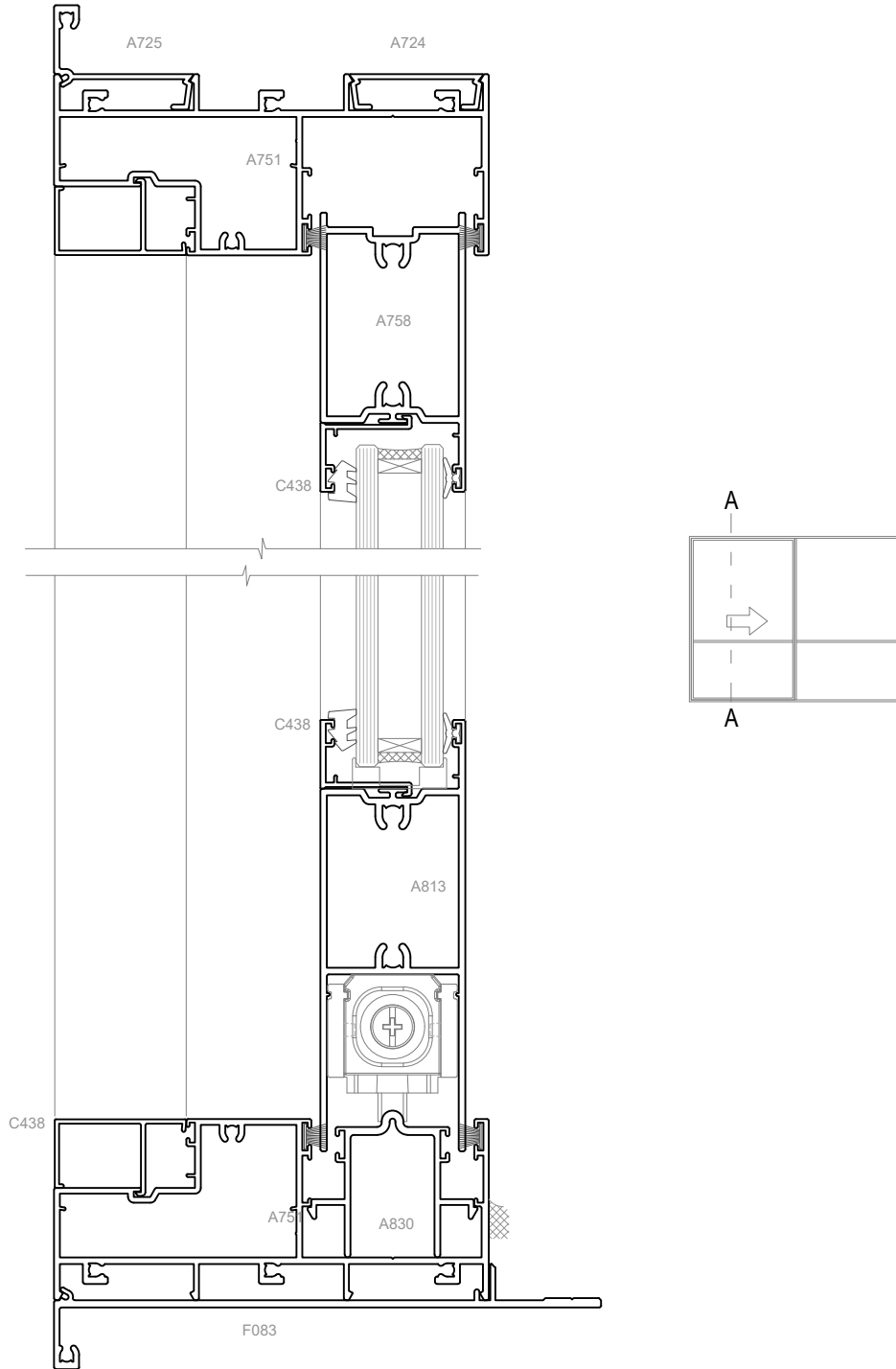


SECTION A-A

SLIDING DOOR

Rev 0



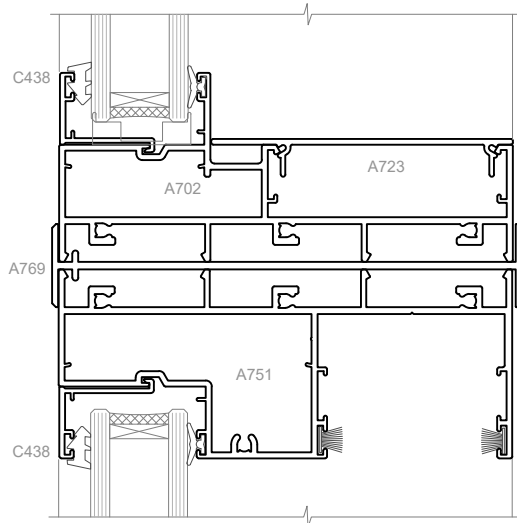
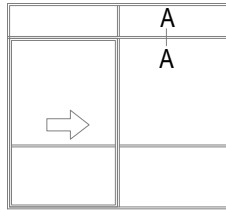


SECTION A-A

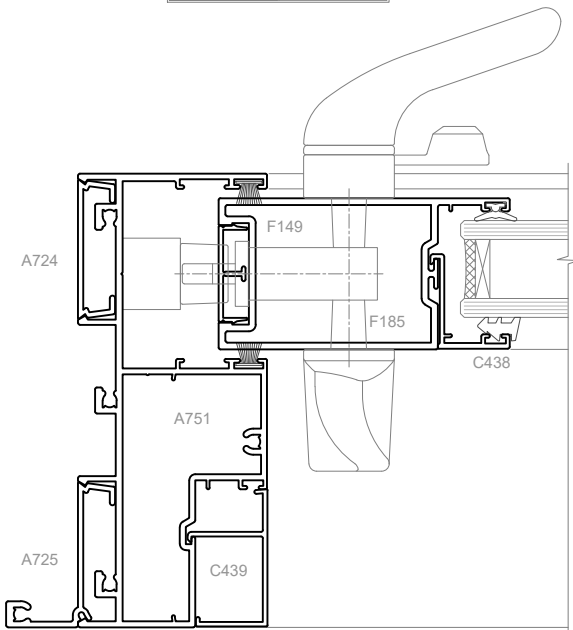
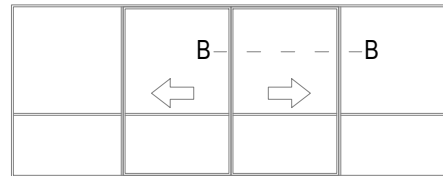
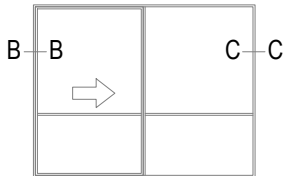
SLIDING DOOR

Rev 0

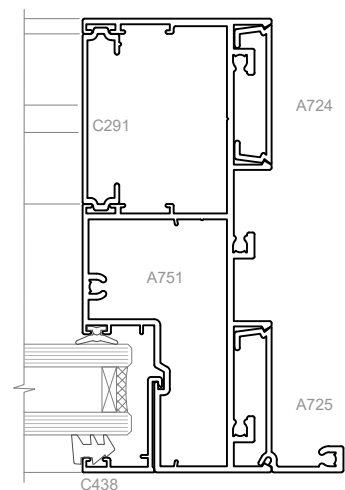




SECTION A-A



SECTION B-B



SLIDING DOOR

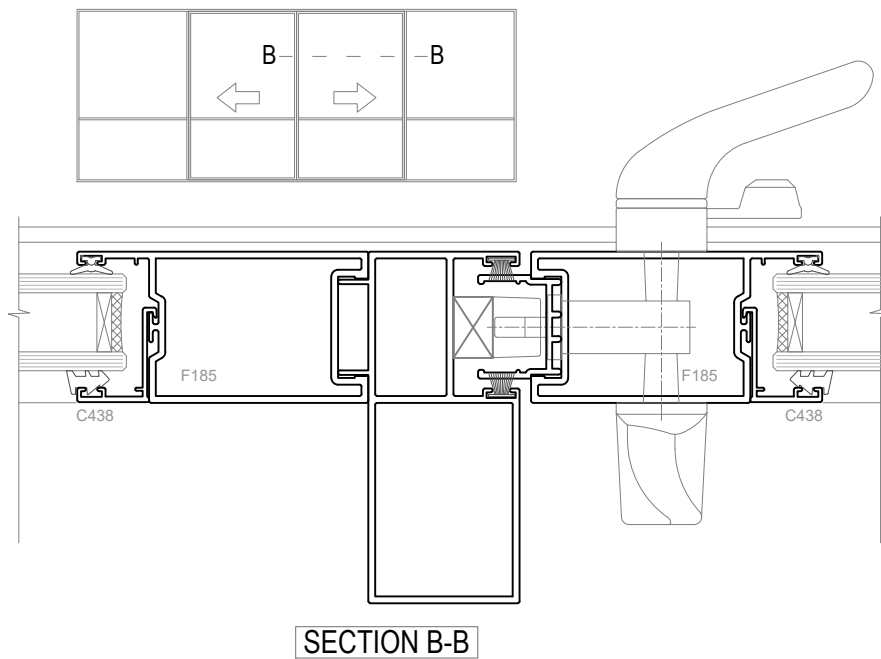
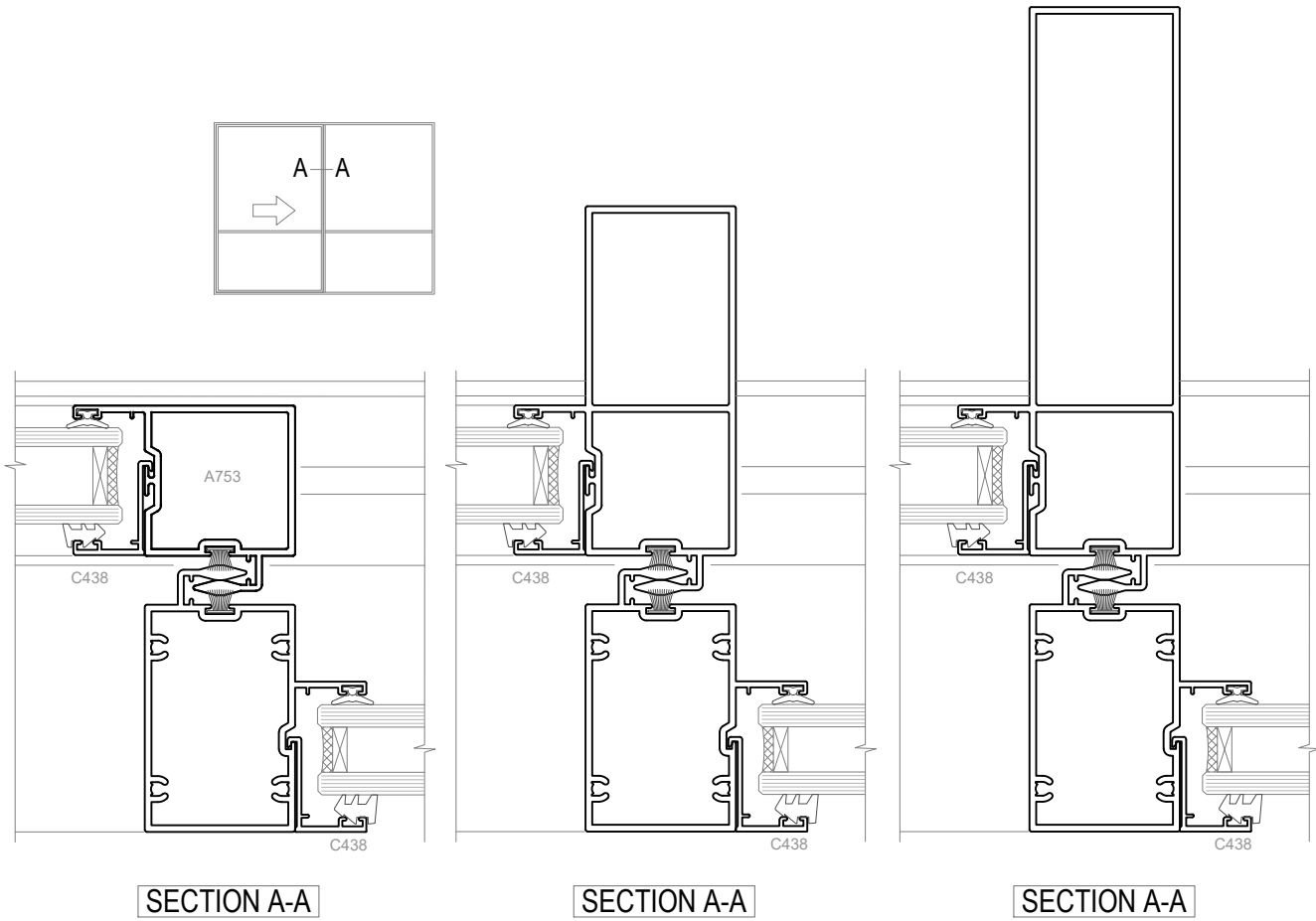
Rev 0



# Architectural Cubic 40

Cross Sectional

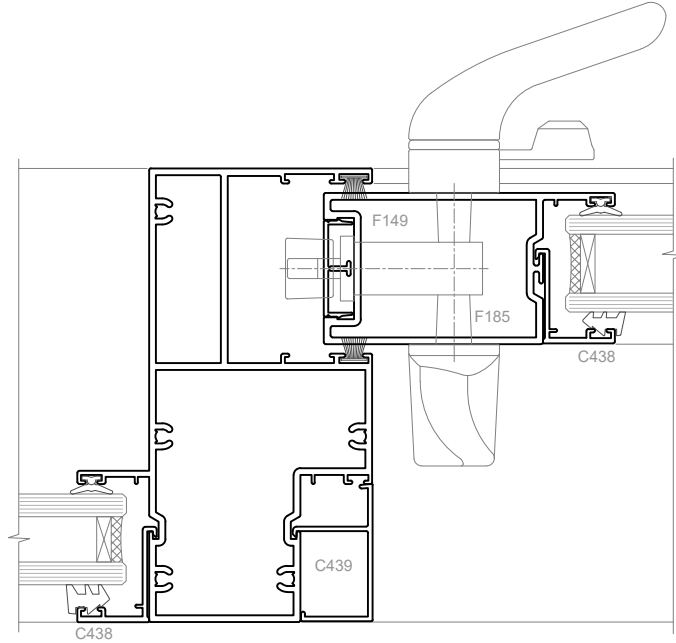
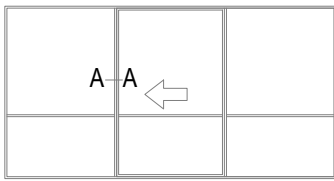
CAD Details



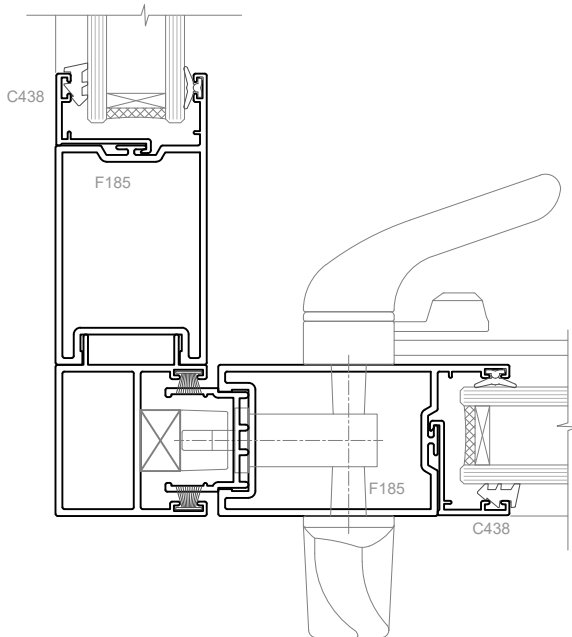
SLIDING DOOR

Rev 0

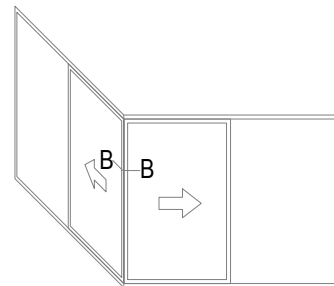




SECTION A-A



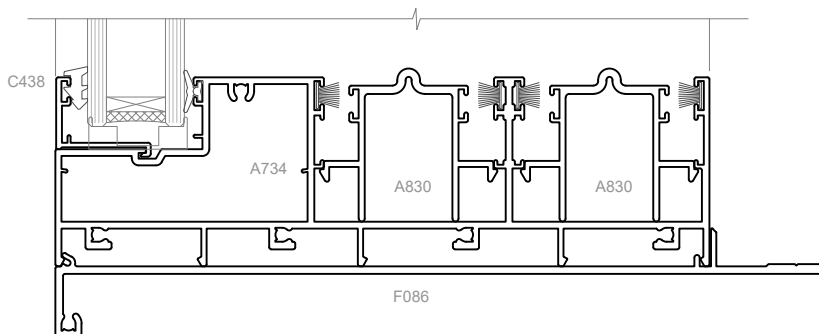
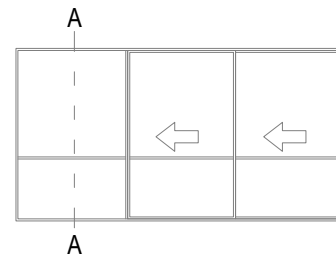
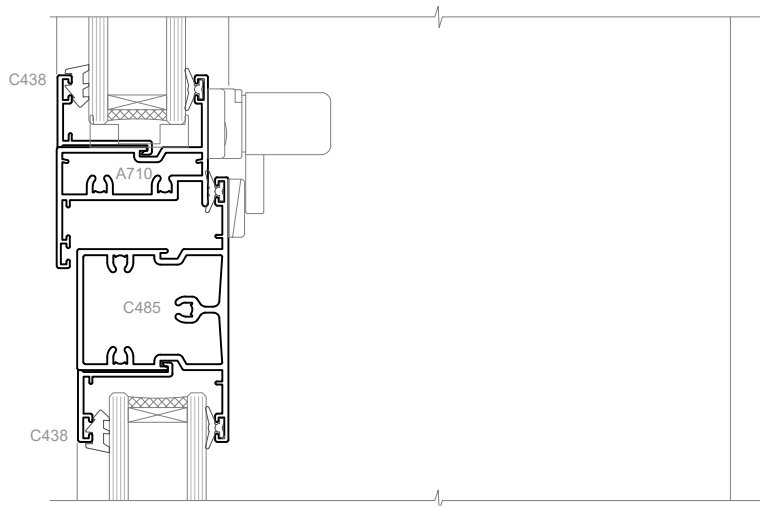
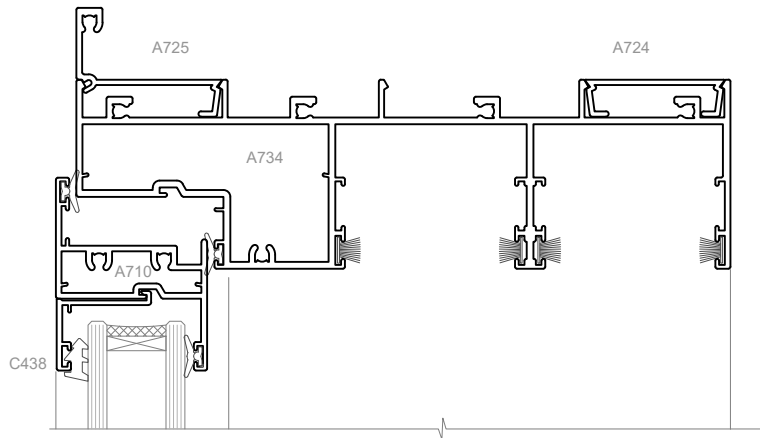
SECTION B-B



SLIDING DOOR

Rev 0





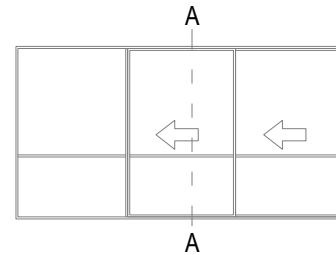
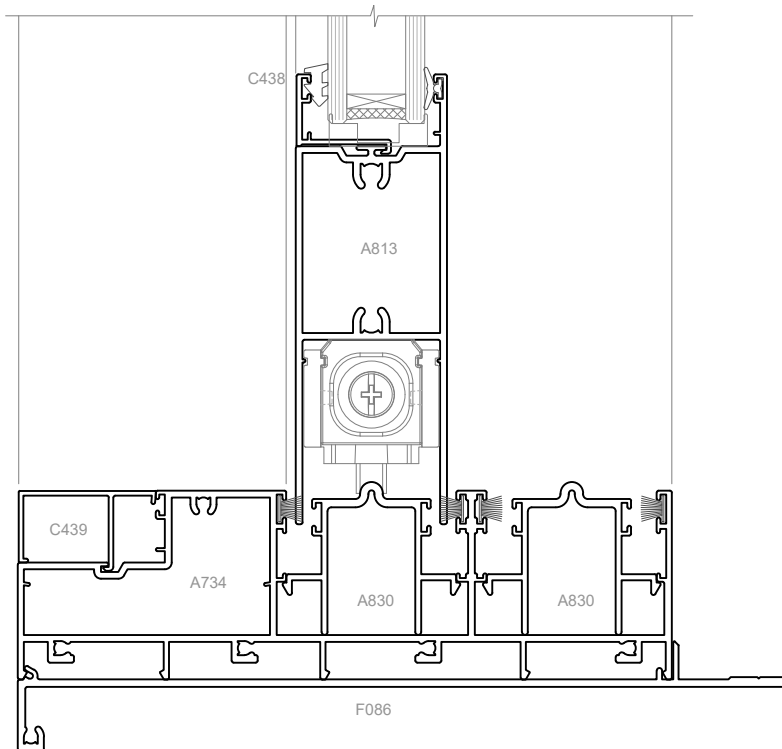
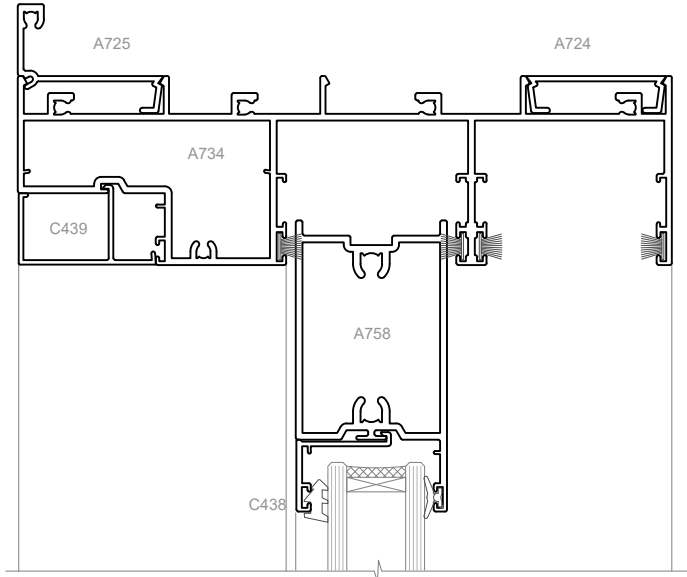
SECTION A-A

STACKING DOOR

Rev 0





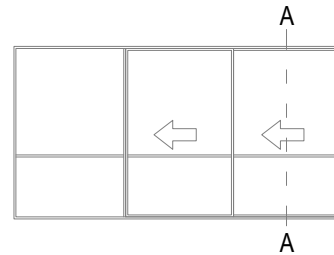
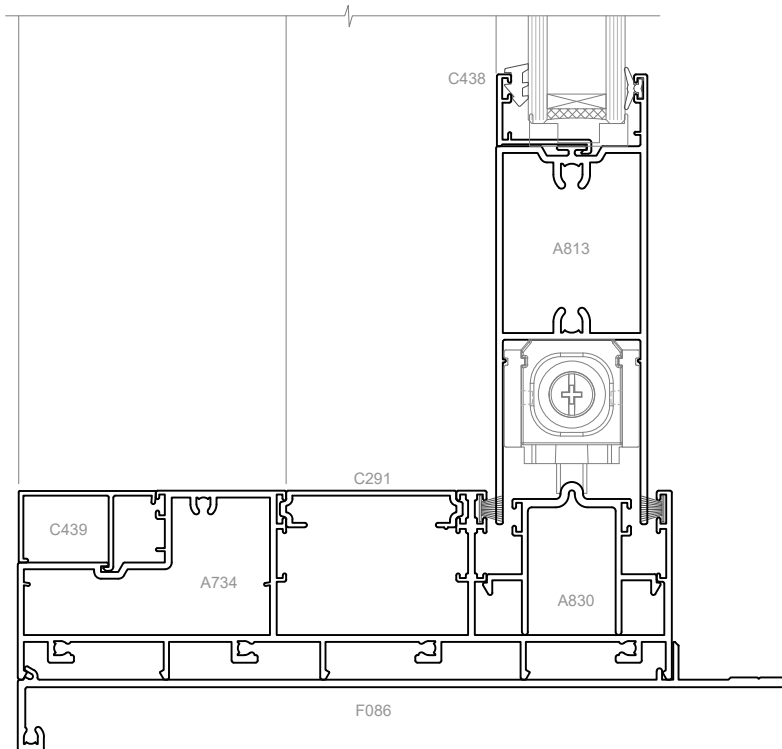
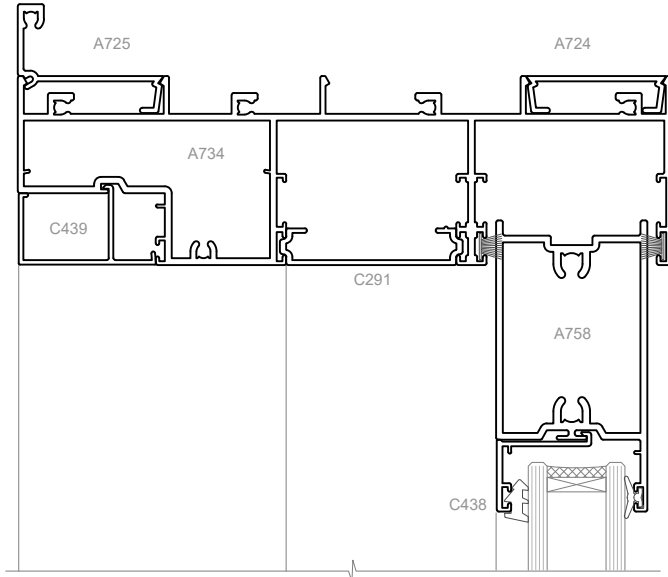


SECTION A-A

STACKING DOOR

Rev 0





SECTION A-A

STACKING DOOR

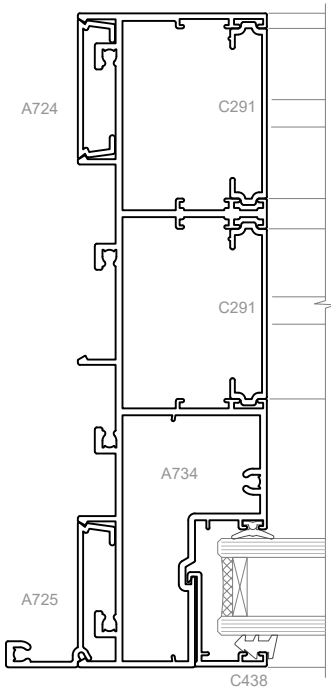
Rev 0



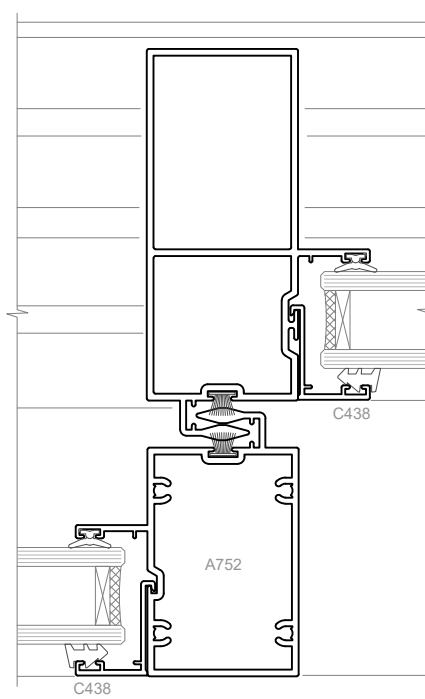
# Architectural Cubic 40

Cross Sectional

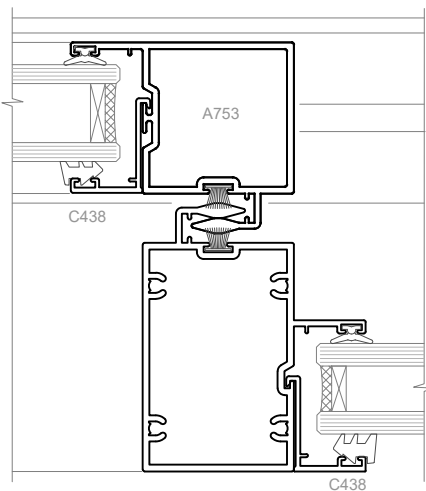
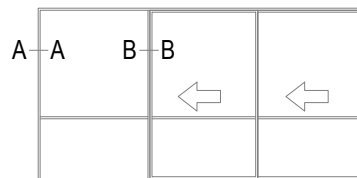
CAD Details



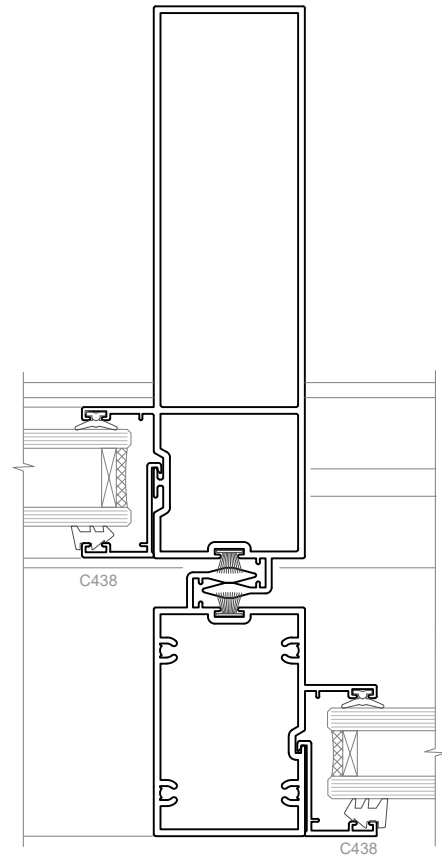
SECTION A-A



SECTION B-B



SECTION B-B

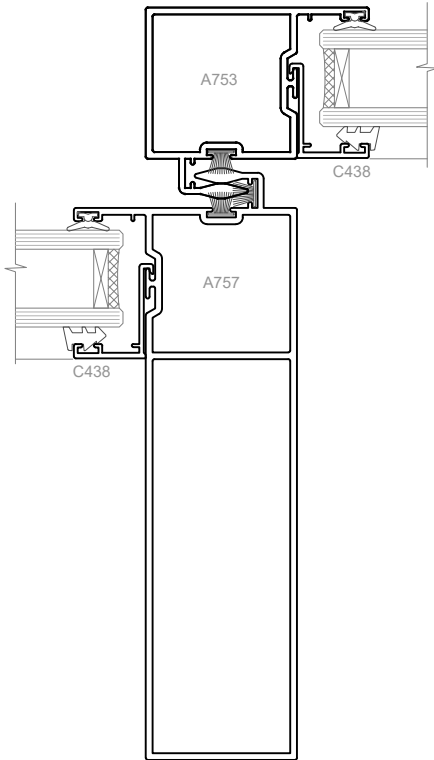


SECTION B-B

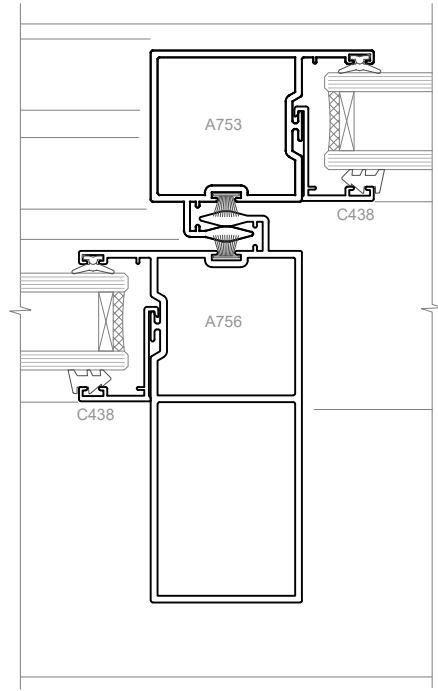
STACKING DOOR

Rev 0

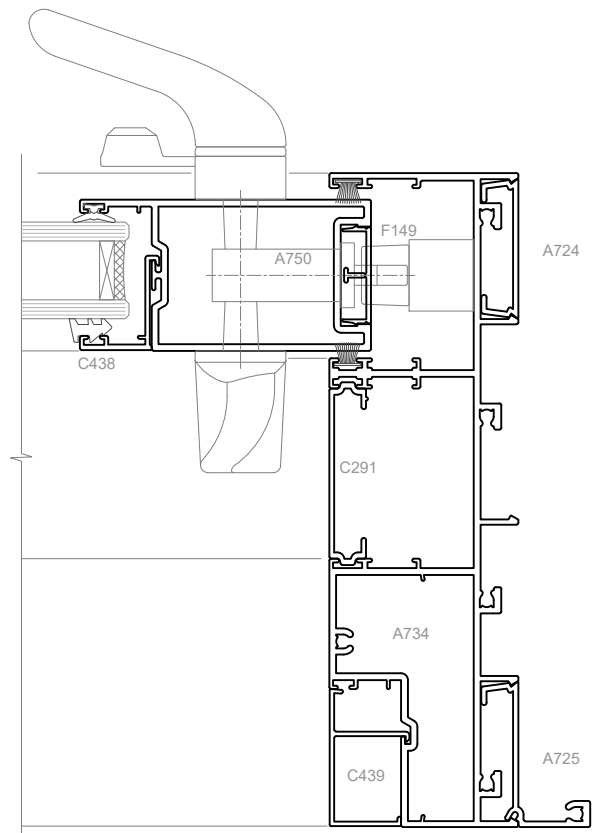
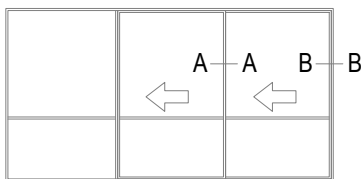




SECTION A-A



SECTION A-A

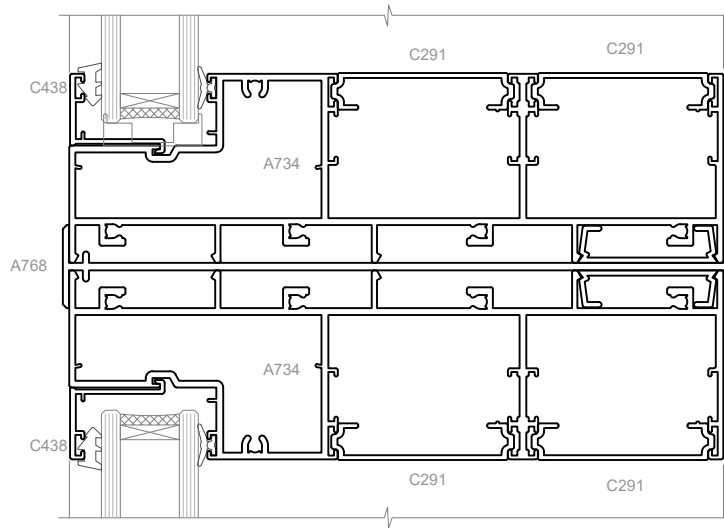
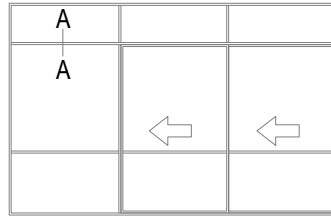


SECTION A-A

STACKING DOOR

Rev 0



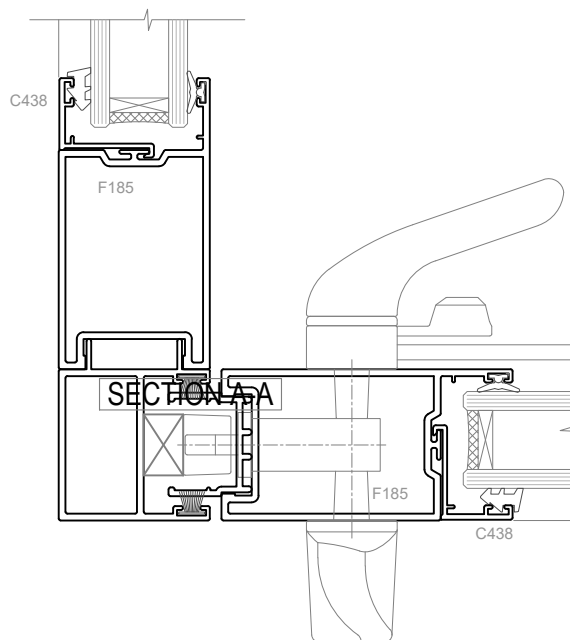
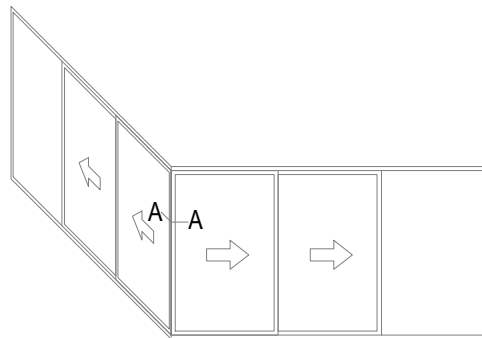


SECTION A-A

STACKING DOOR

Rev 0





SECTION A-A

SECTION A-A

STACKING DOOR

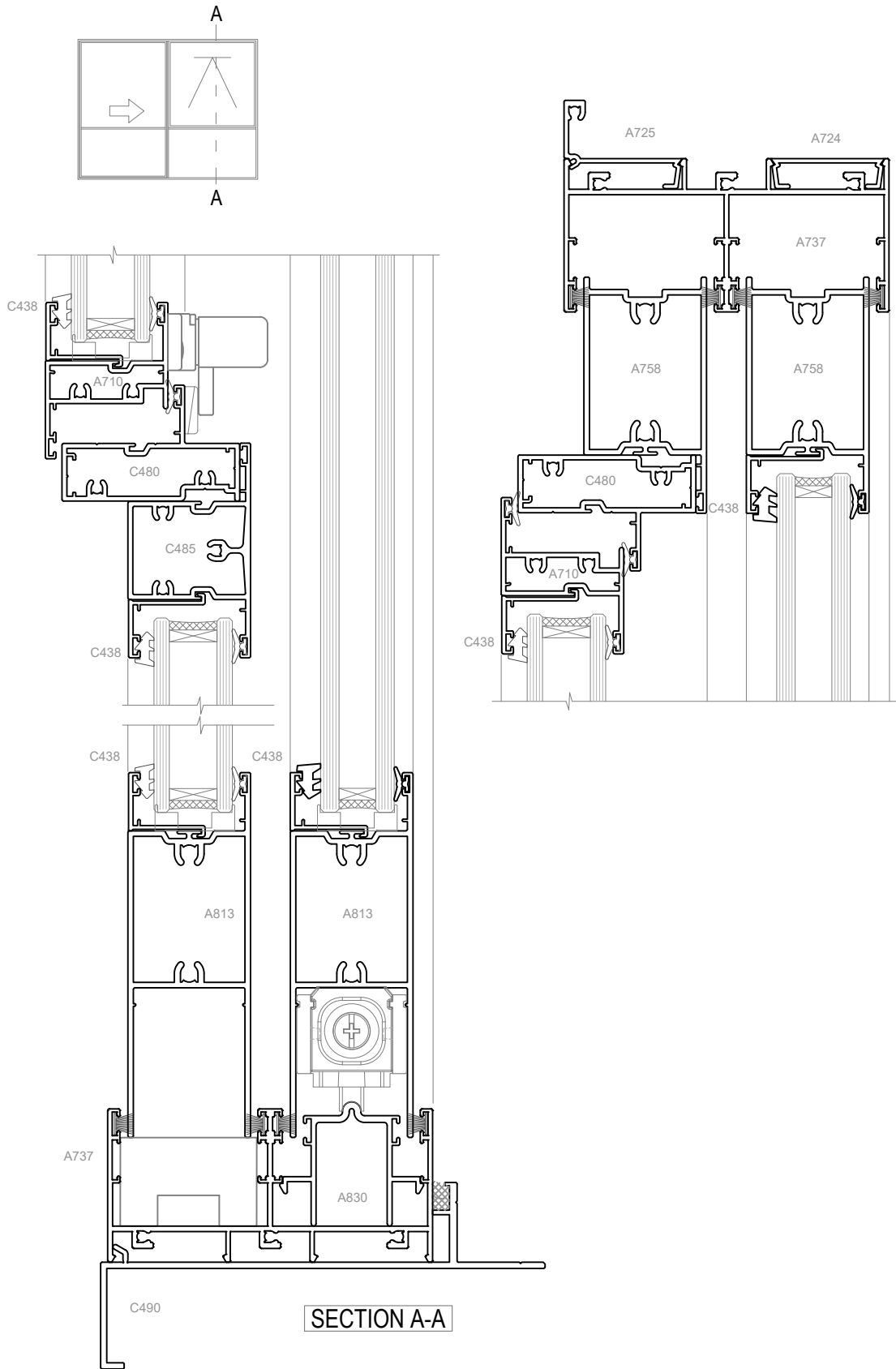
Rev 0



# Architectural Cubic 40

Cross Sectional

CAD Details



TRACK ONLY SLIDERS

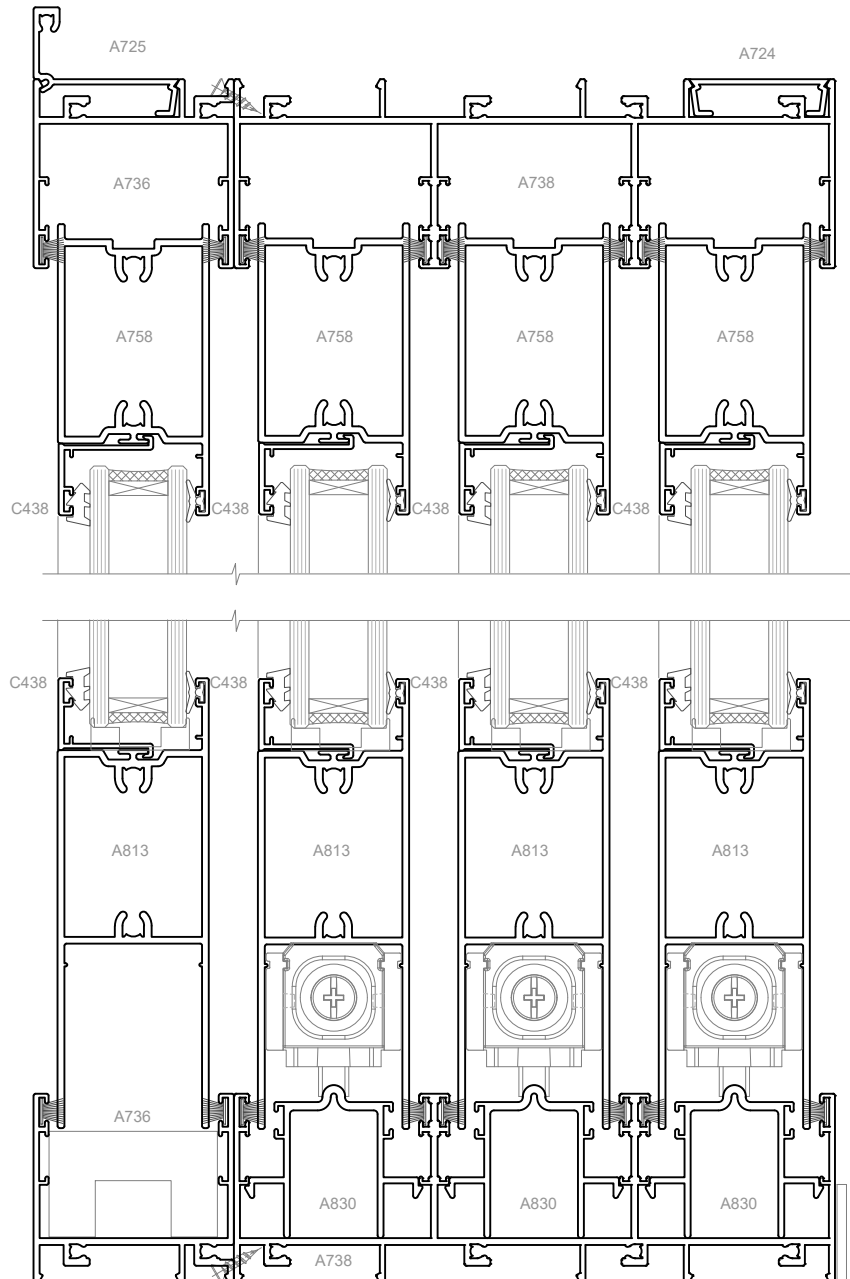
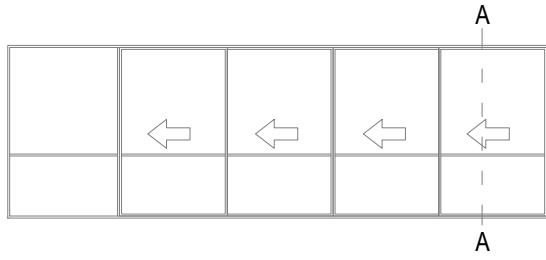
Rev 0



# Architectural Cubic 40

Cross Sectional

CAD Details



FABRICATED CILL TRAY TO SUIT

## SECTION A-A

TRACK ONLY SLIDERS

Rev 0

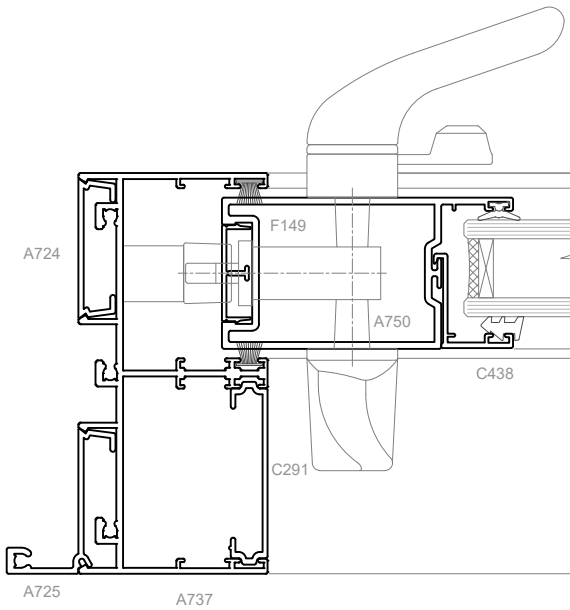




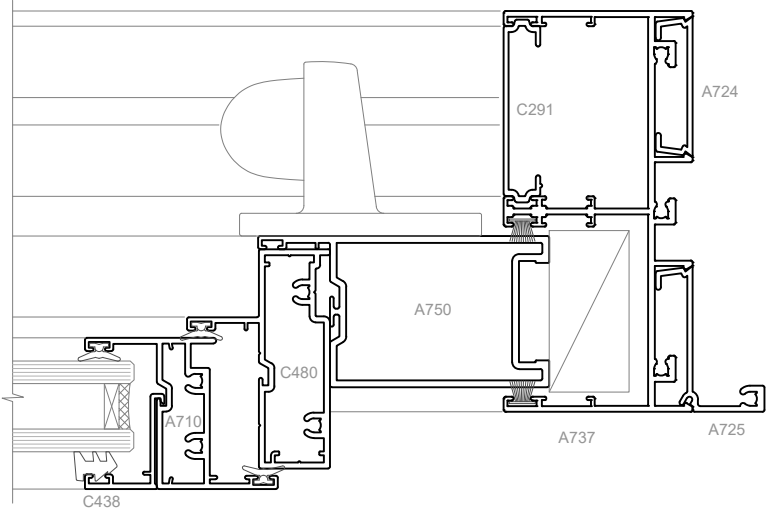
# Architectural Cubic 40

Cross Sectional

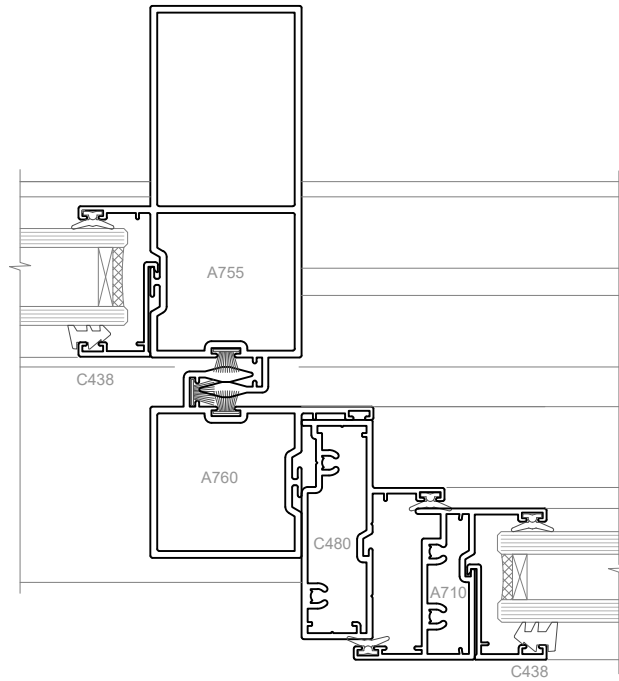
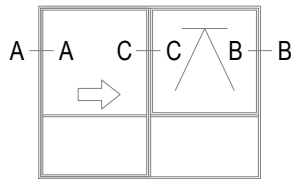
CAD Details



SECTION A-A



SECTION B-B

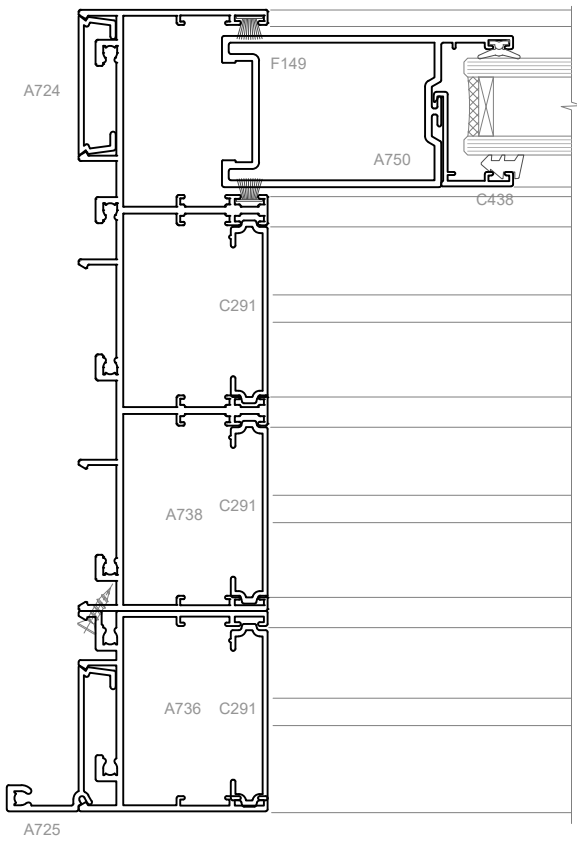
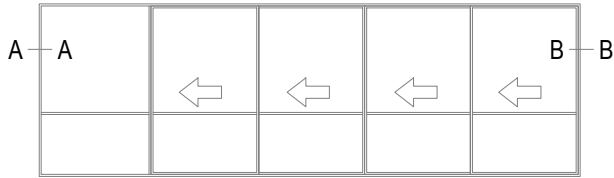


SECTION C-C

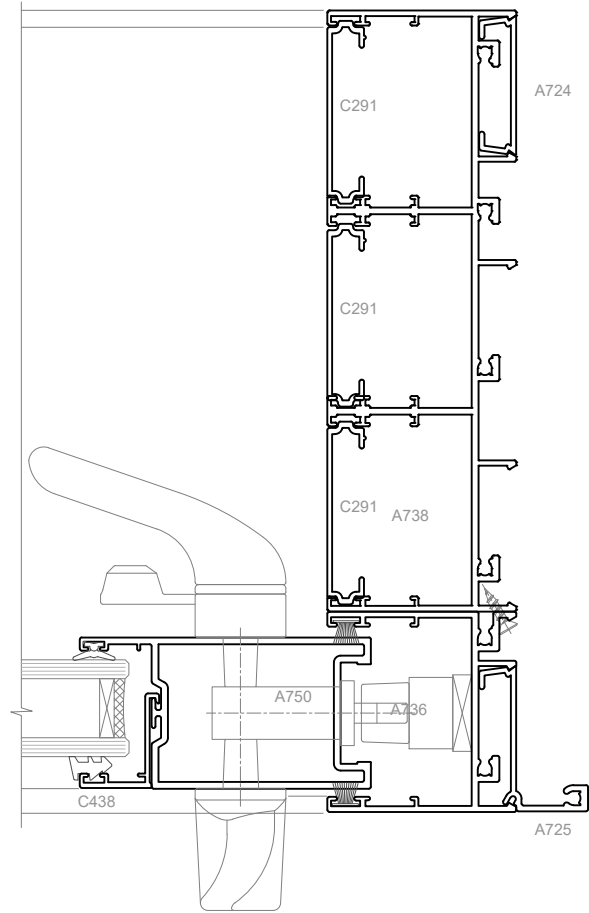
TRACK ONLY SLIDERS

Rev 0





SECTION A-A



SECTION B-B

TRACK ONLY SLIDERS

Rev 0

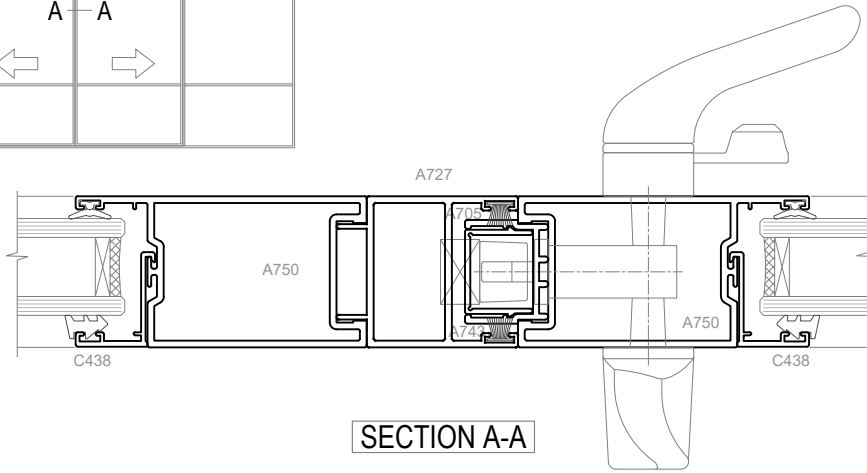
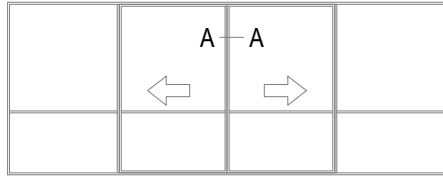




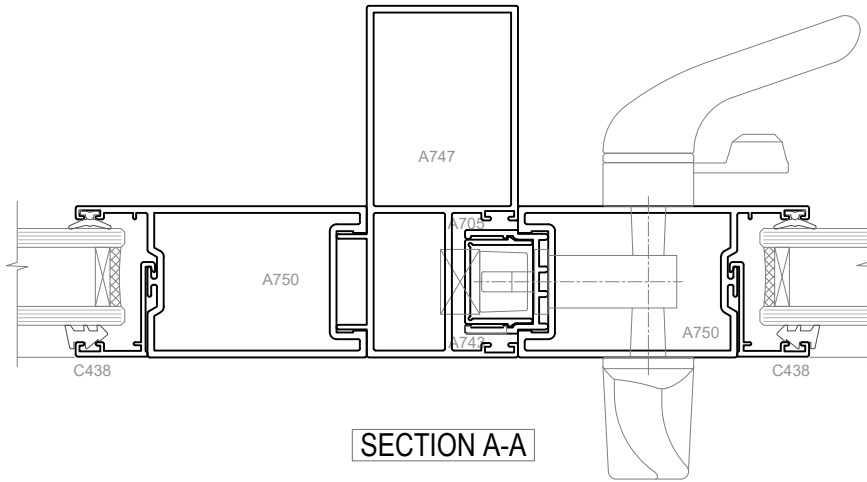
# Architectural Cubic 40

Cross Sectional

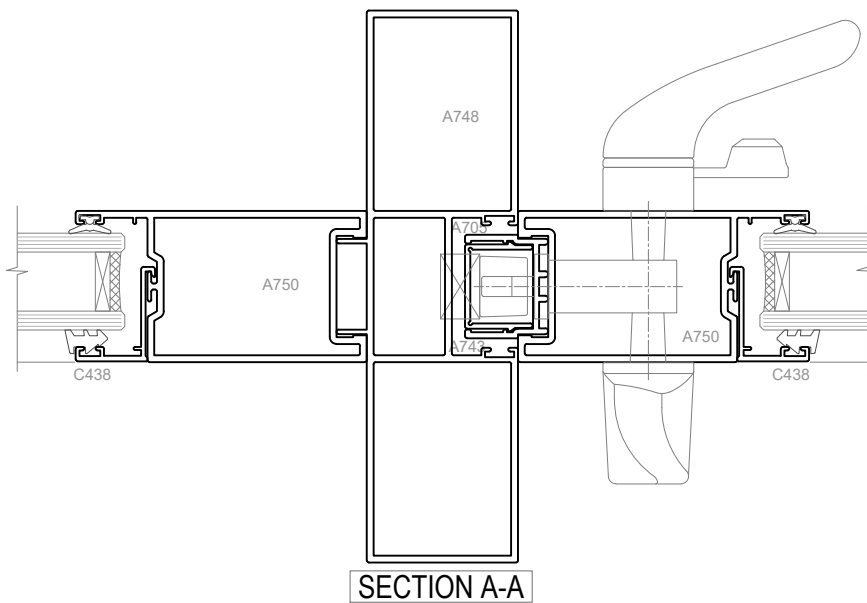
CAD Details



SECTION A-A



SECTION A-A



SECTION A-A

TRACK ONLY SLIDERS

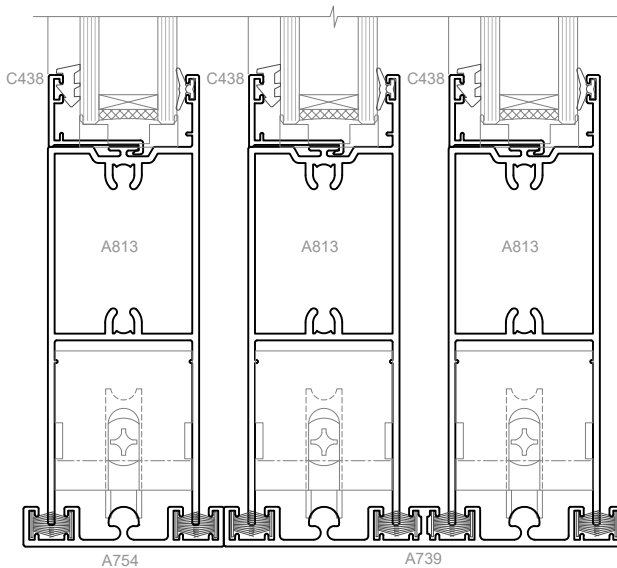
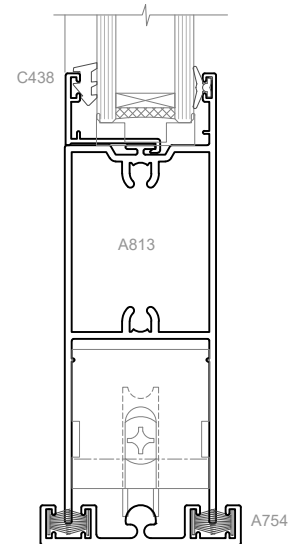
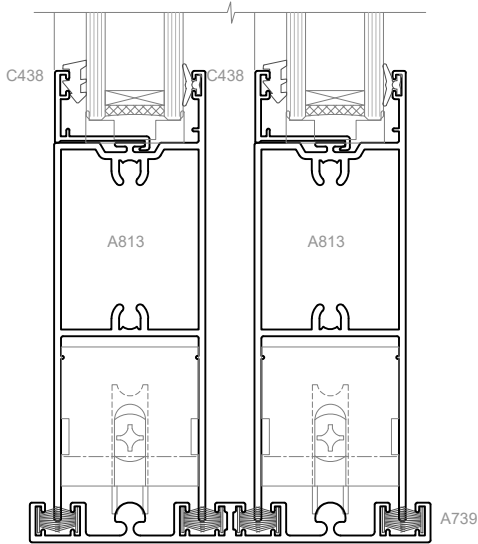
Rev 0



# Architectural Cubic 40

Cross Sectional

CAD Details

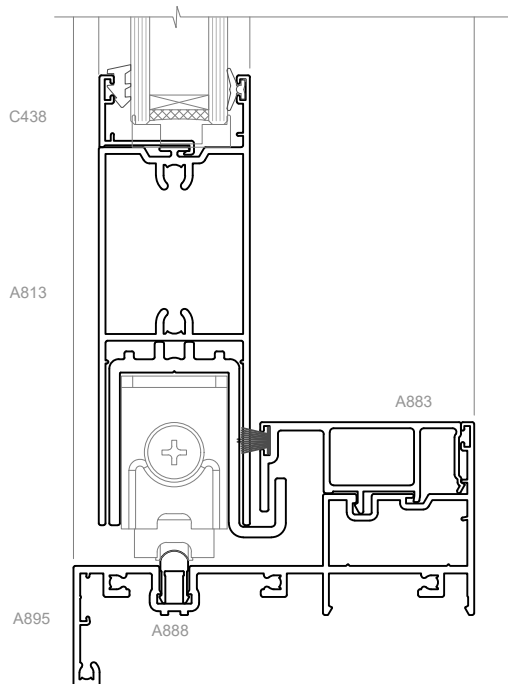
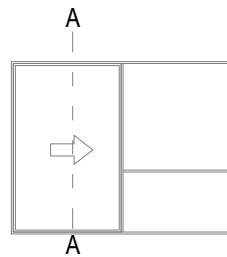
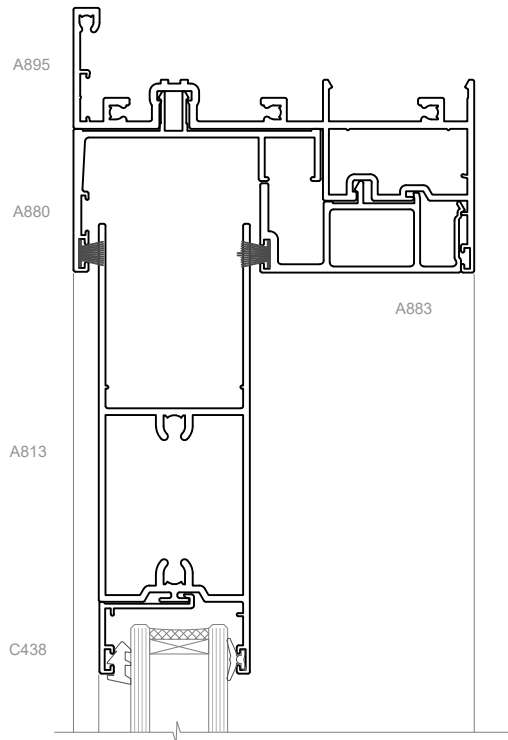


SECTION A-A

TRACK ONLY SLIDERS NON-WEATHERED TRACKS

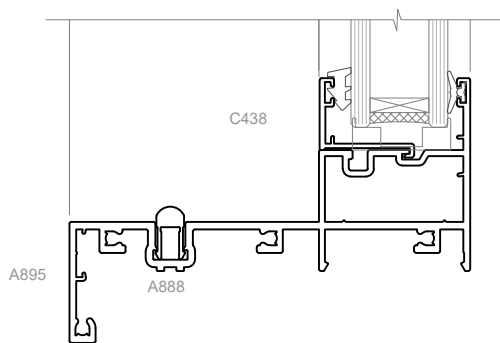
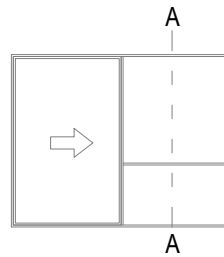
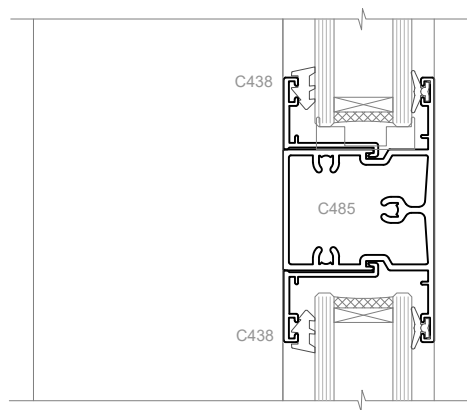
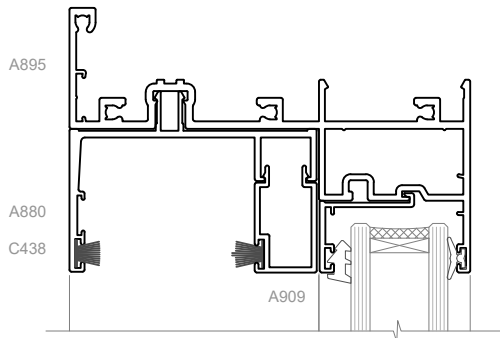
Rev 0





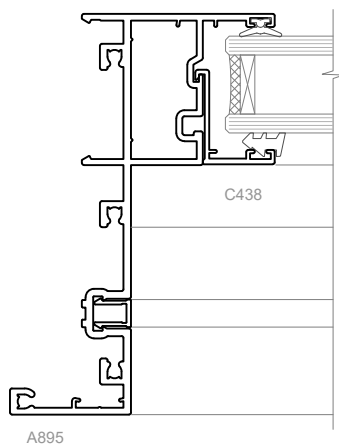
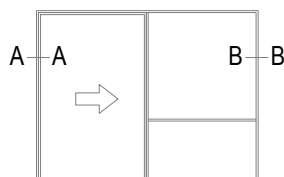
SECTION A-A

EXTERNAL SLIDERS

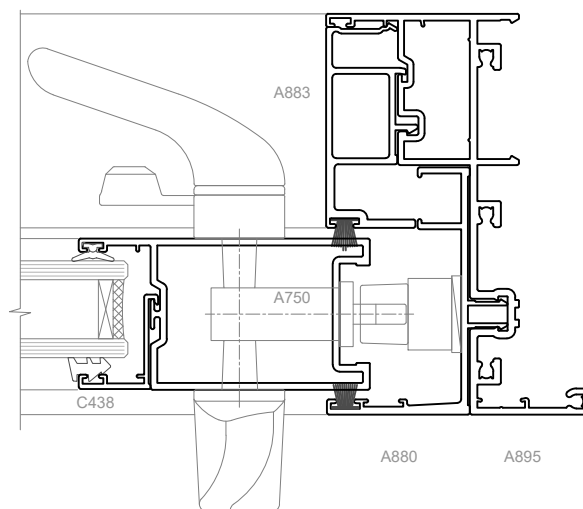


SECTION A-A

EXTERNAL SLIDERS



SECTION A-A



SECTION B-B

EXTERNAL SLIDERS

Rev 0

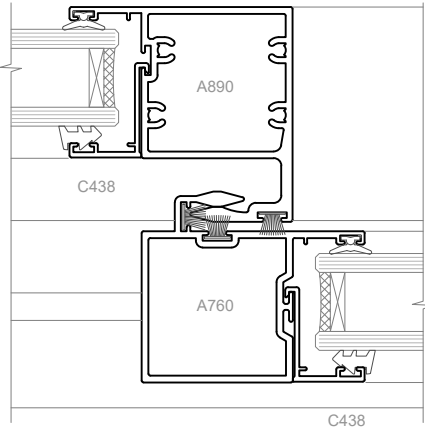




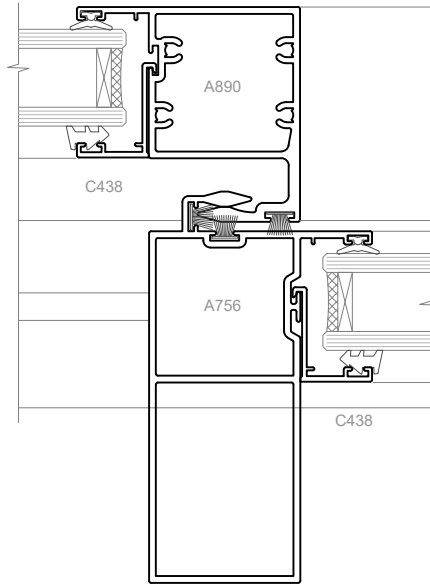
# Architectural Cubic 40

Cross Sectional

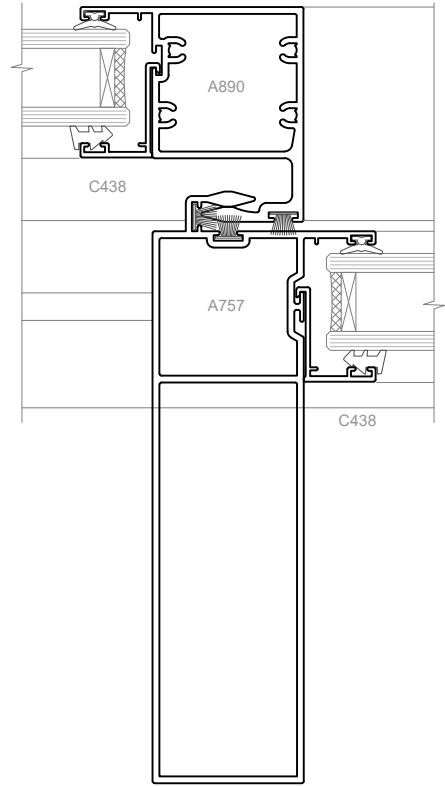
CAD Details



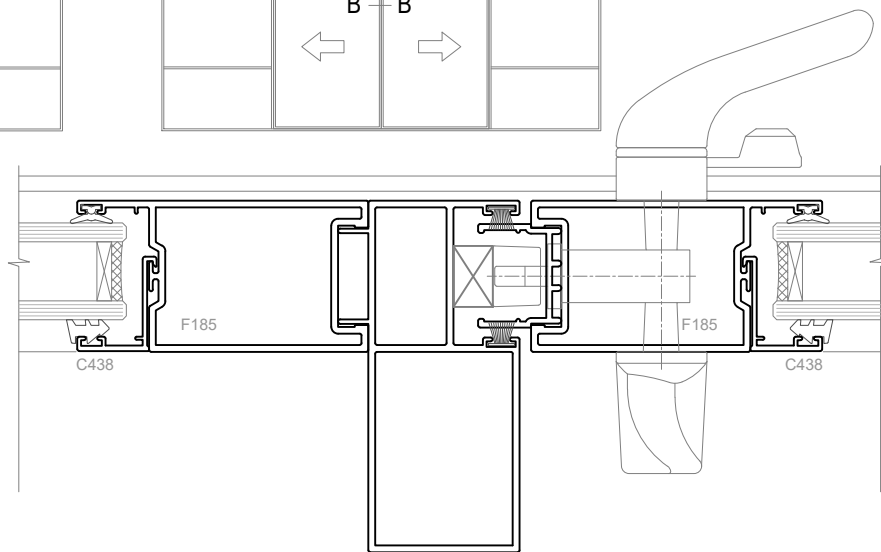
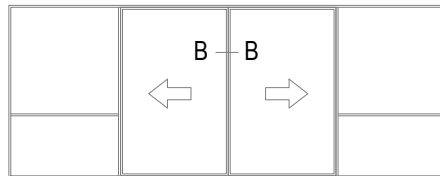
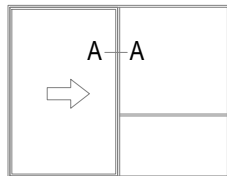
SECTION A-A



SECTION A-A



SECTION A-A

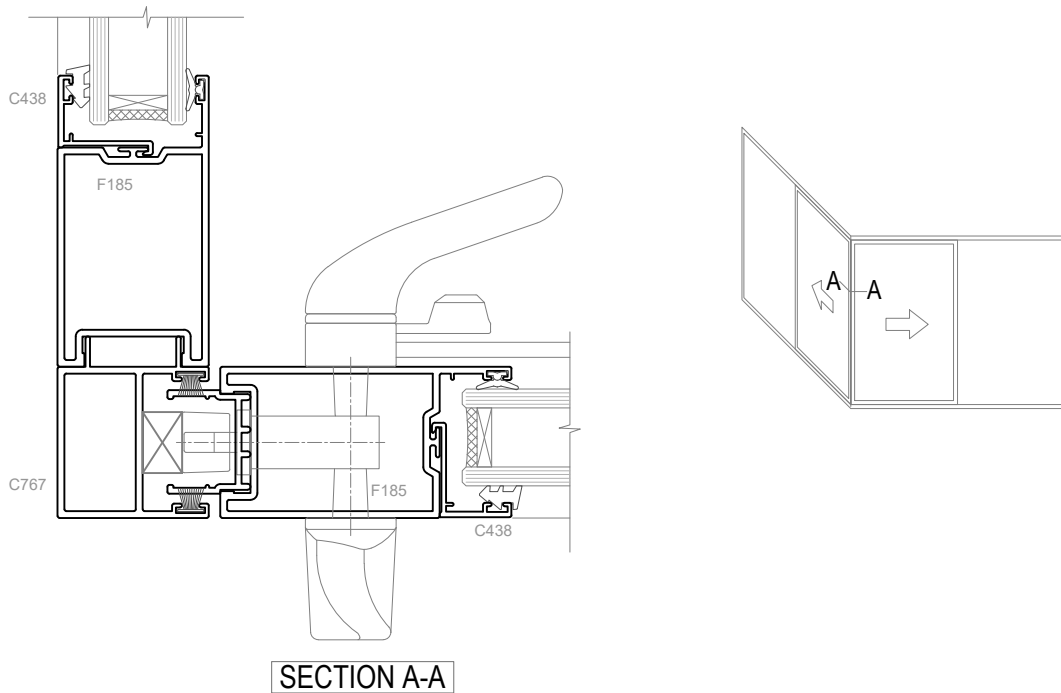


SECTION B-B

SLIDING DOOR

Rev 0



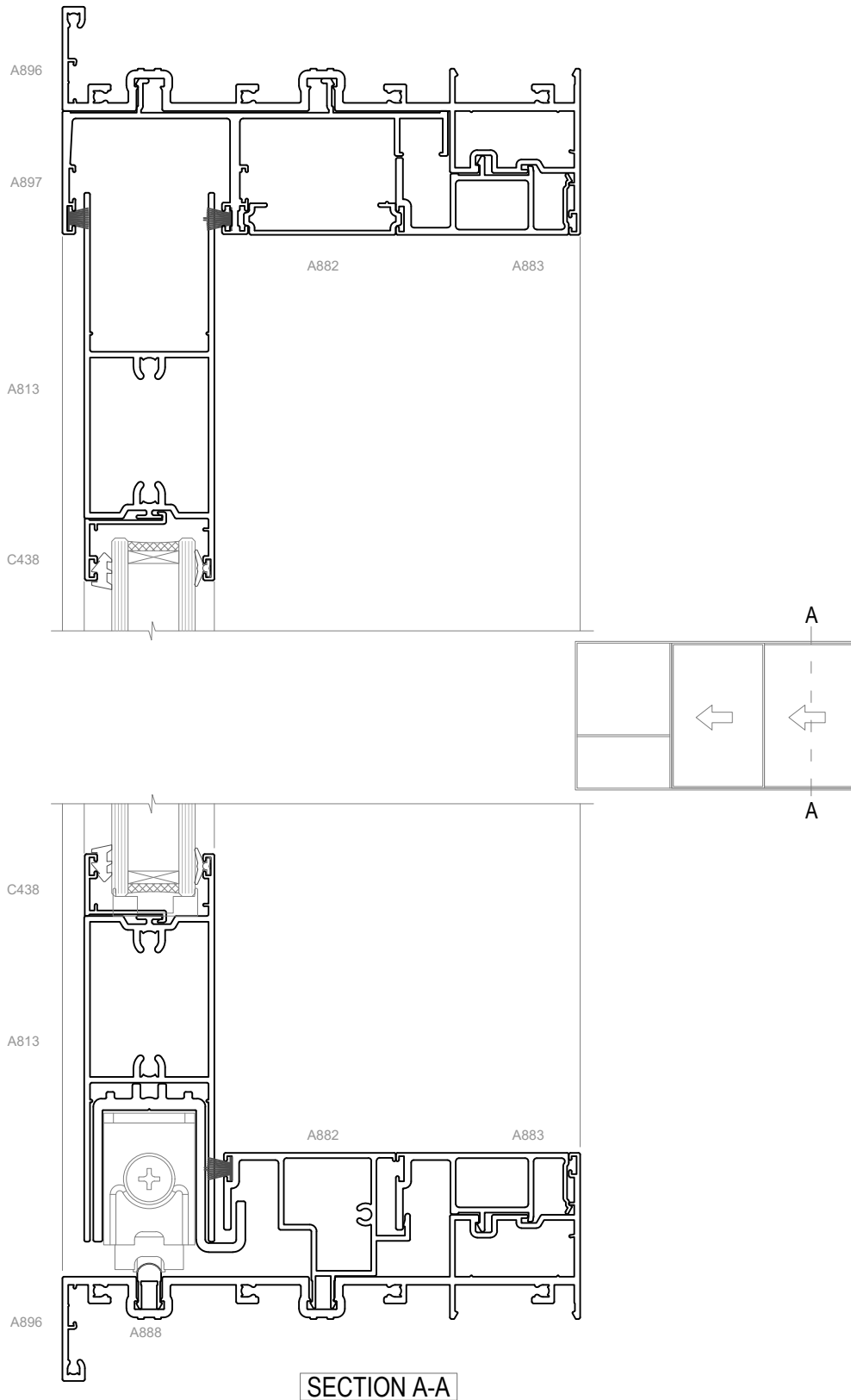


SECTION A-A

SLIDING DOOR

Rev 0





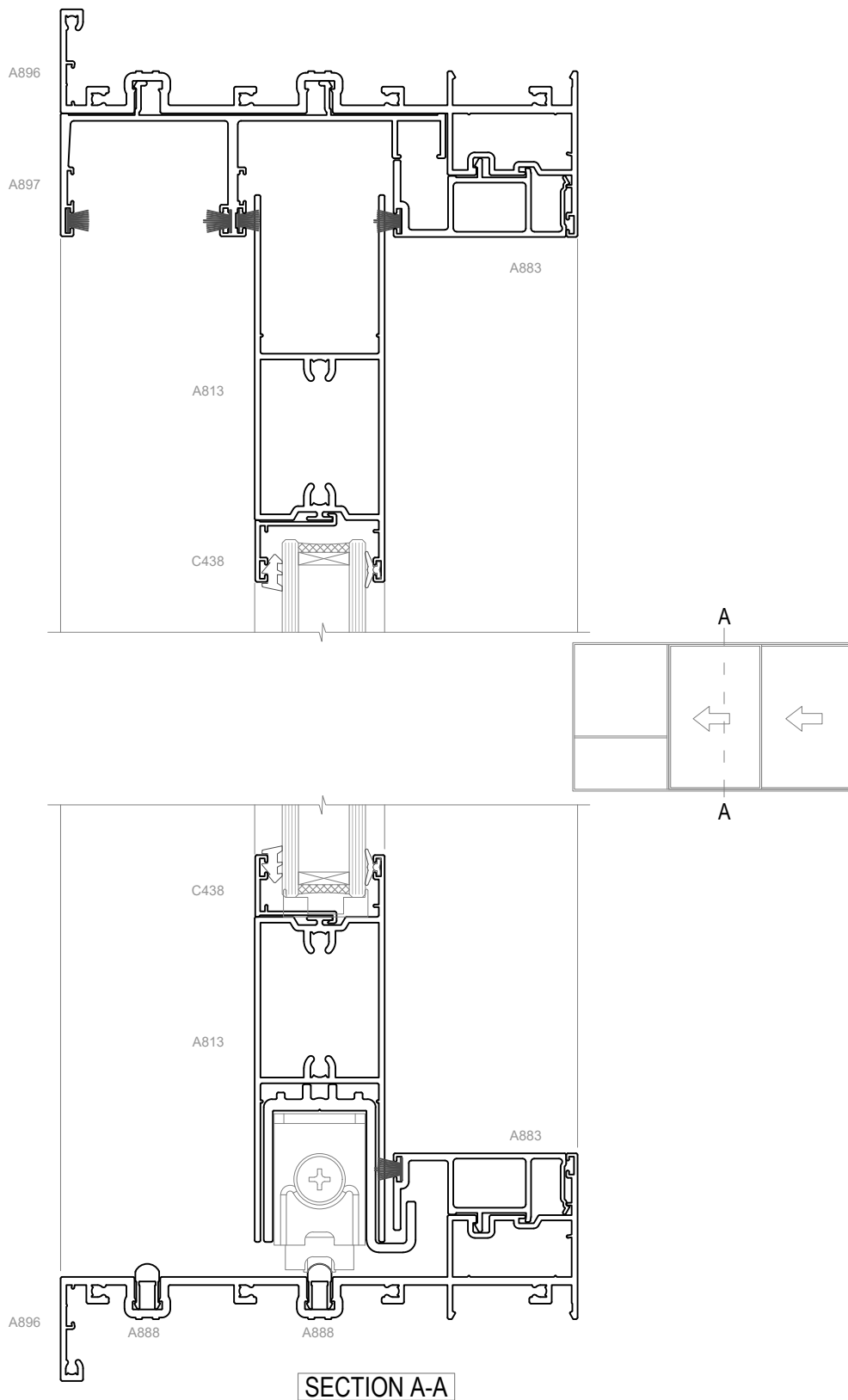
EXTERNAL STACKERS

Rev 0



# Architectural Cubic 40

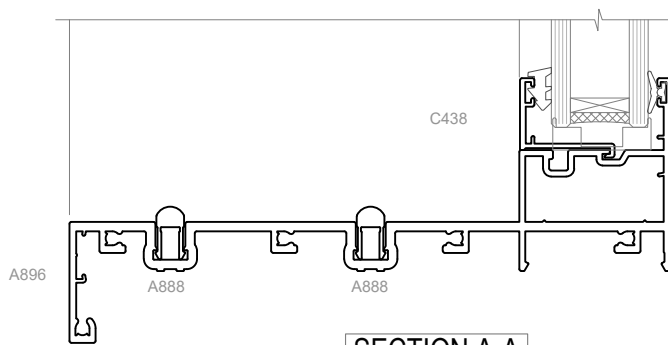
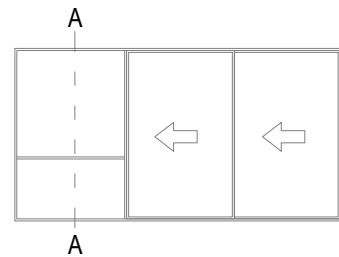
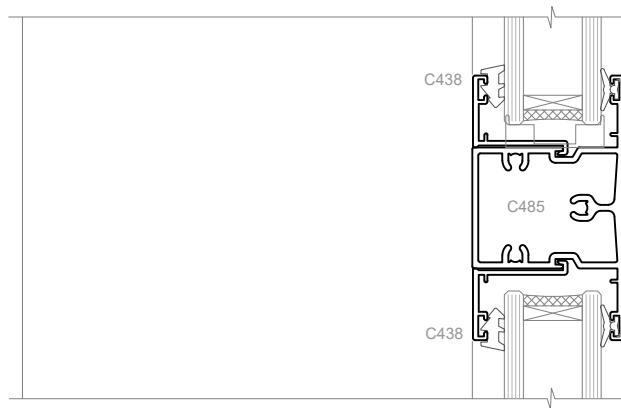
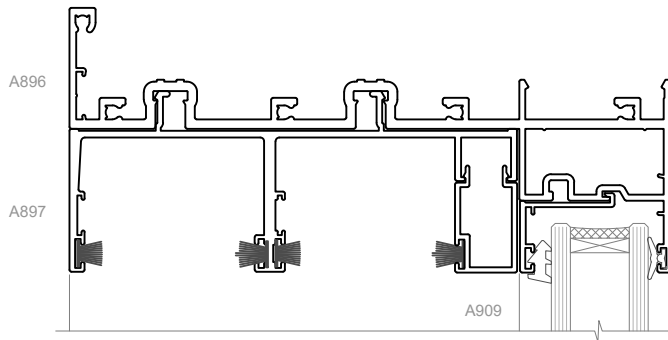
Cross Sectional  
CAD Details



EXTERNAL STACKERS

Rev 0





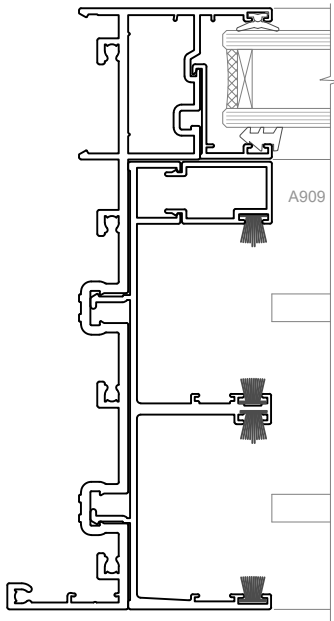
SECTION A-A

EXTERNAL STACKERS

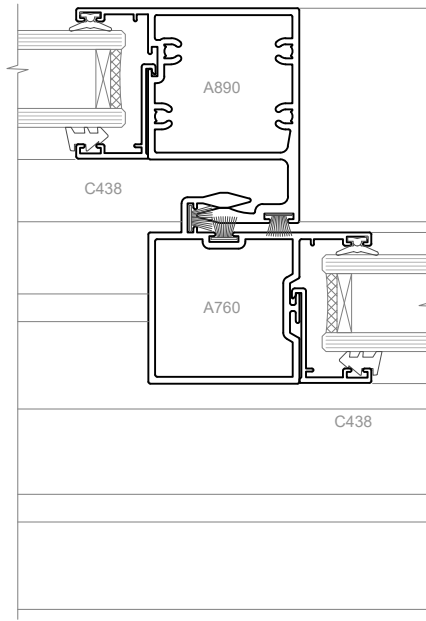
# Architectural Cubic 40

Cross Sectional

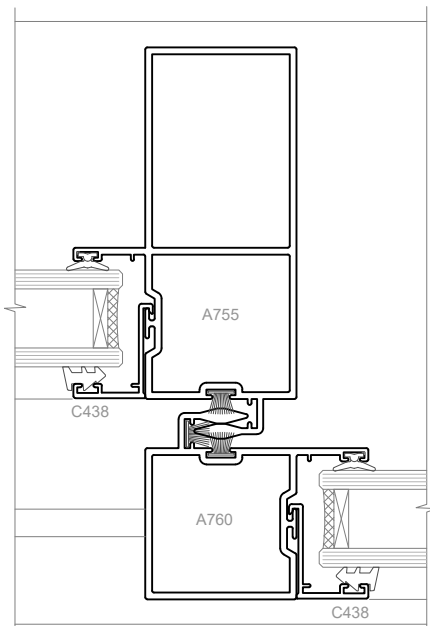
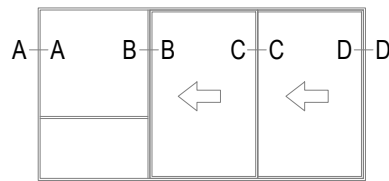
CAD Details



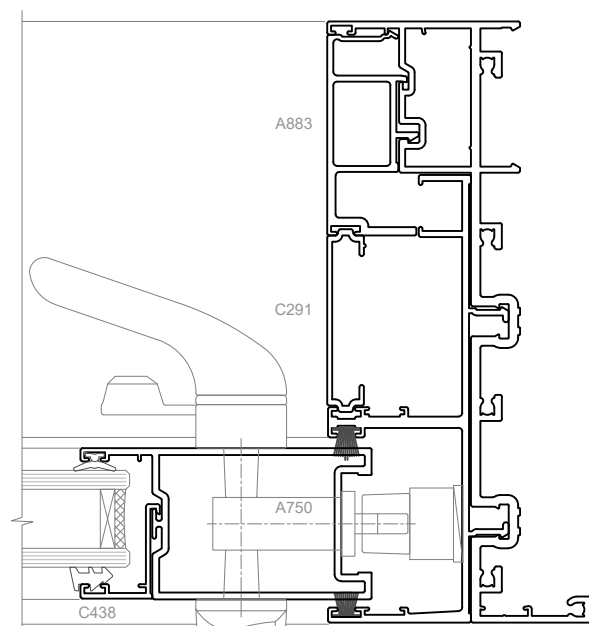
SECTION A-A



SECTION B-B



SECTION C-C



SECTION D-D

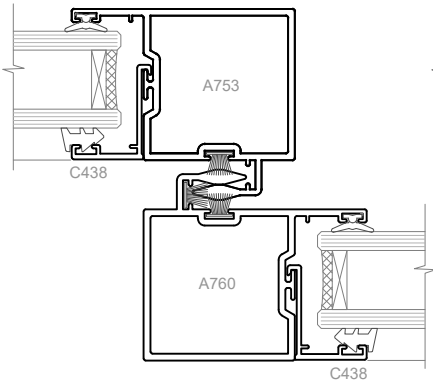
EXTERNAL STACKERS

Rev 0

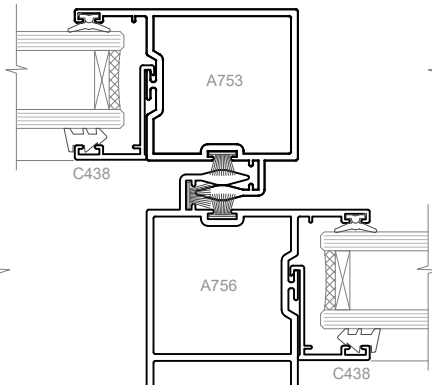


# Architectural Cubic 40

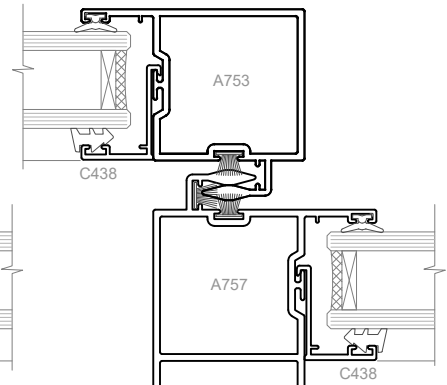
Cross Sectional  
CAD Details



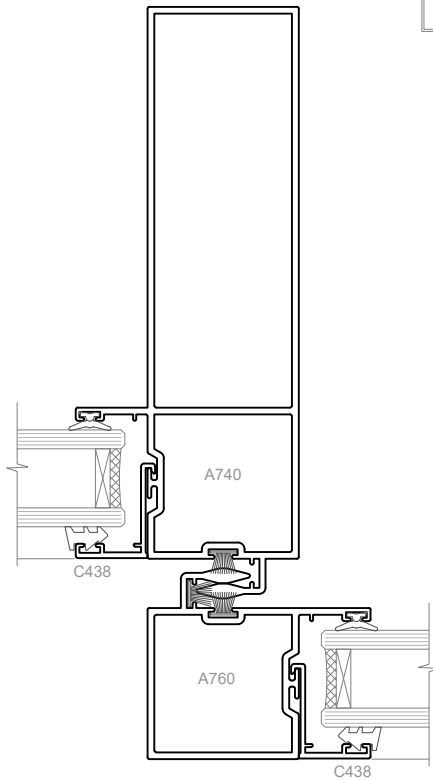
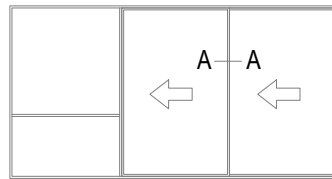
SECTION A-A



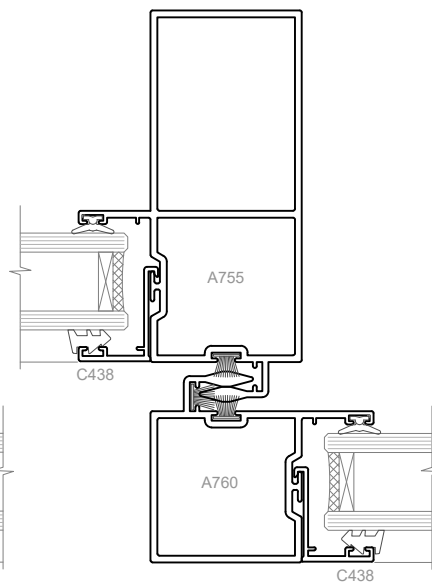
SECTION A-A



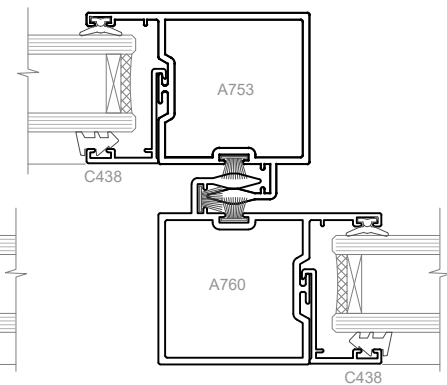
SECTION A-A



SECTION A-A



SECTION A-A

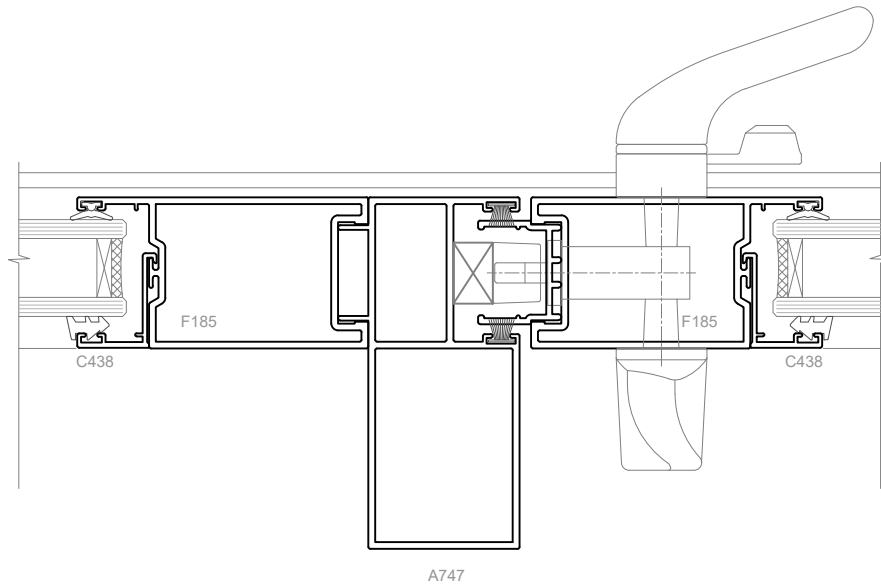


SECTION A-A

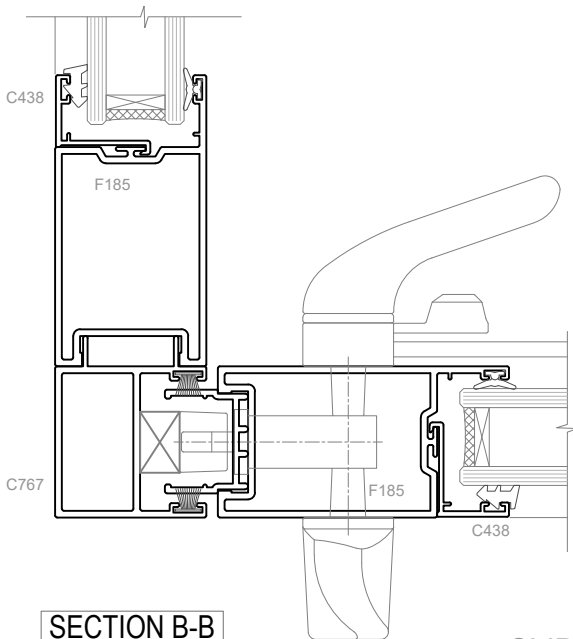
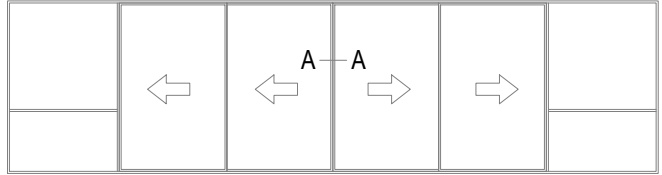
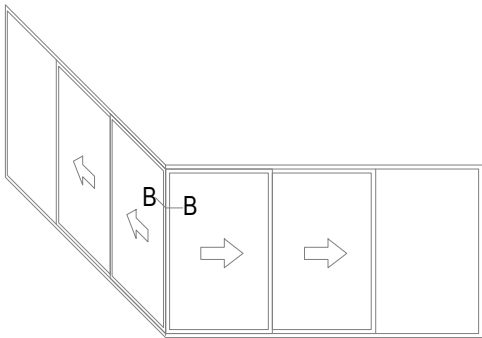
EXTERNAL STACKERS

Rev 0





SECTION A-A



SECTION B-B

SLIDING DOOR

Rev 0 | 