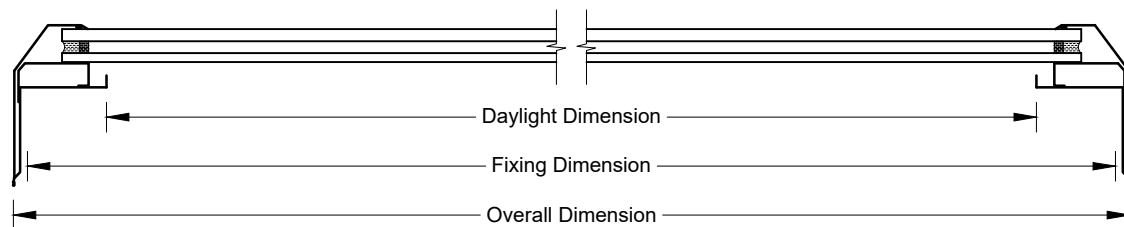
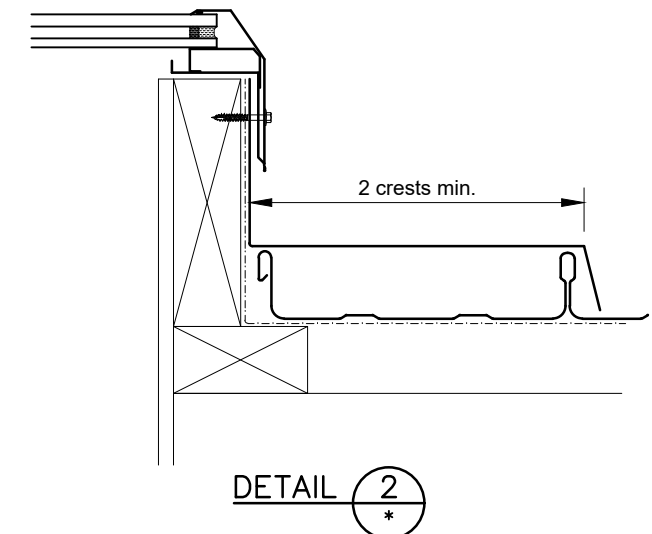
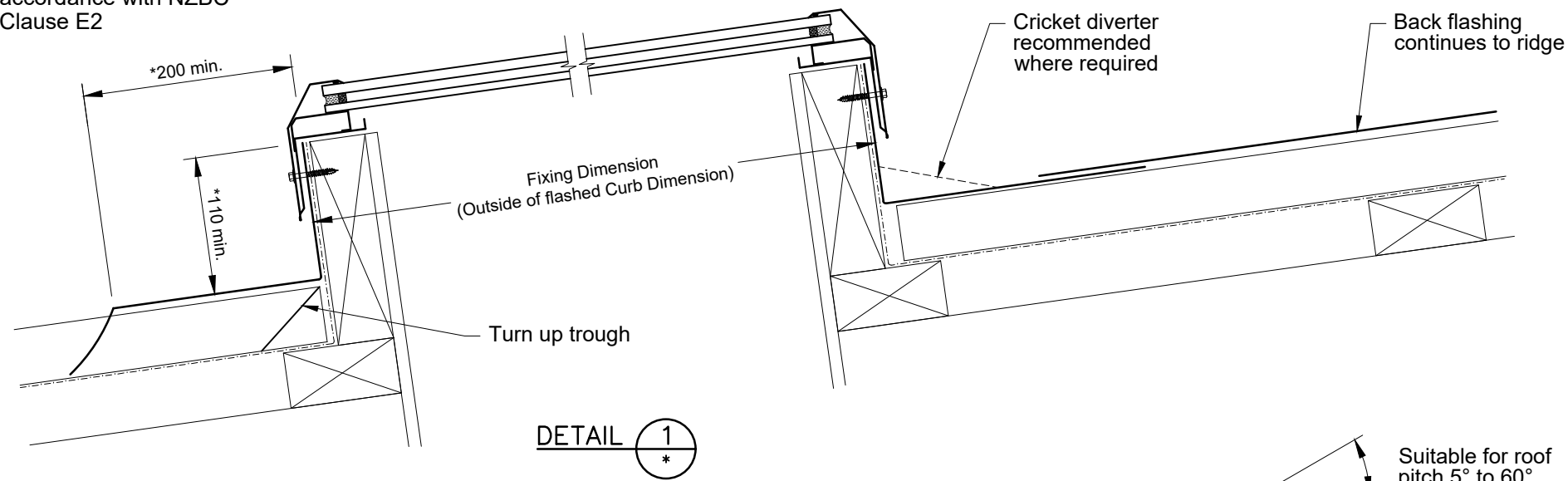
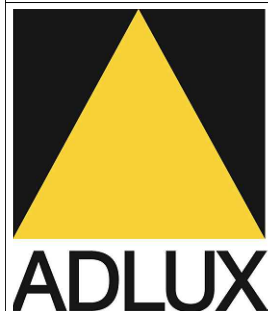
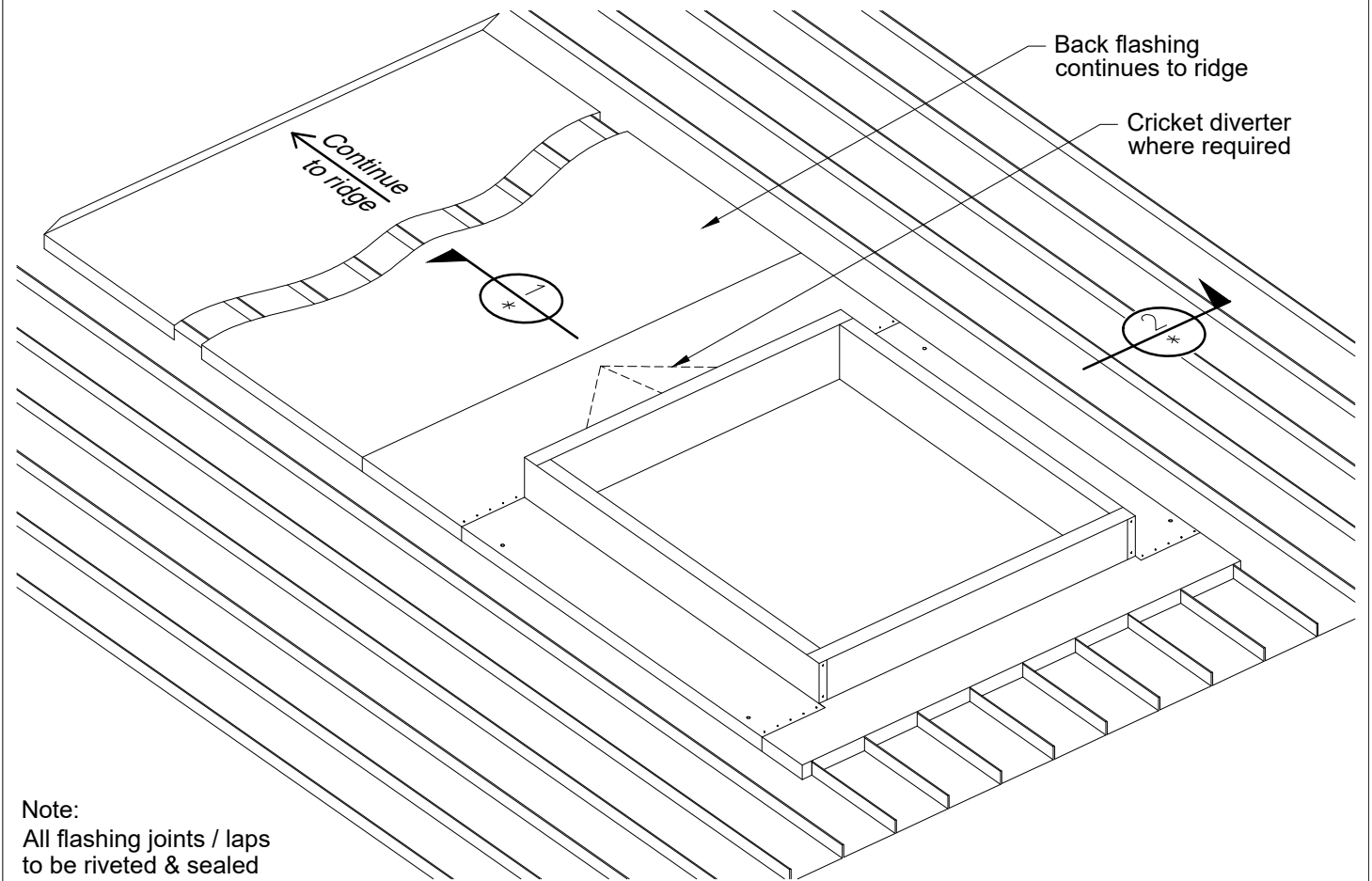


\* Dimensions to be in accordance with NZBC Clause E2



Mega Roof Window (non-vent)			
Model No.	Daylight Dimension (mm)	Fixing Dimension (mm)	Overall Dimension (mm)
<b>MRW1616</b>	1535 x 1535	1635 x 1635	1660 x 1660
<b>MRW2014</b>	1890 x 1290	1990 x 1390	2015 x 1415
<b>MRW2418</b>	2275 x 1675	2375 x 1775	2400 x 1800
<b>MRW3014</b>	2890 x 1290	2990 x 1390	3015 x 1415

Not to scale, do not scale from drawing. All details are generic in nature and should be read in conjunction with the roofing manufacturers' standard penetration details.



ADLUX Industries Ltd. ©  
 36 Olive Road, Penrose  
 P.O. Box 13866, Auckland  
 New Zealand.  
 Ph: (09) 636 6866  
 Fax: (09) 636 6846  
 Email: sales@adlux.co.nz

## MEGA ROOF WINDOW non-vent (Double Glazed) TROUGH SECTION PROFILE (Back Tray) PITCH 5° TO 60°

DATE: 13/02/19

DWG No: MRW-TR-BT