

SECTION A-A

SECTION B-B

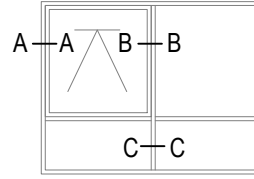
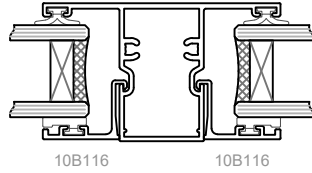
AWNING / CASEMENT WINDOW - STANDARD FRAME

Rev 0



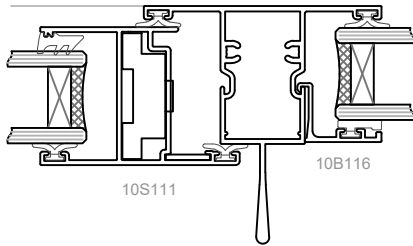
SECTION C-C

10M101



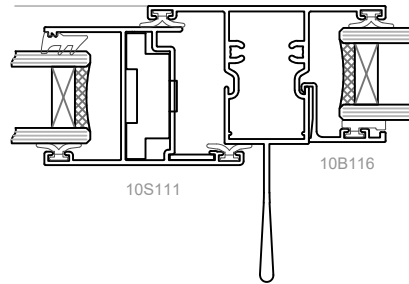
SECTION B-B

10M102



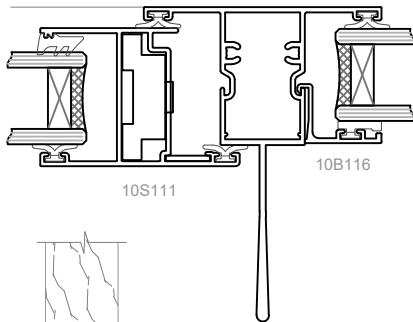
SECTION B-B

10M103



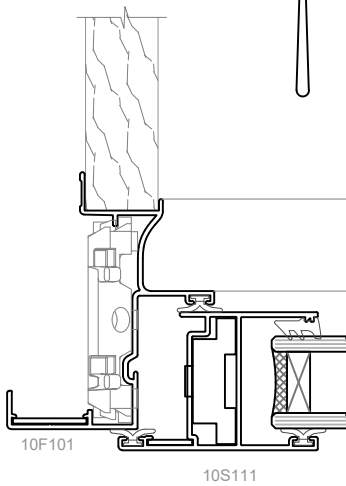
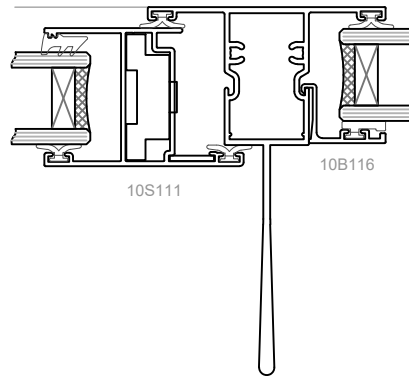
SECTION B-B

10M104



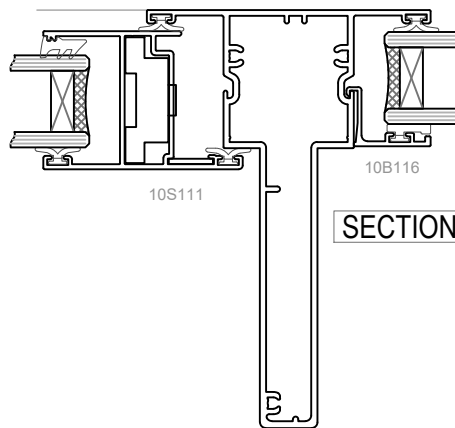
SECTION B-B

10M105



SECTION A-A

10M107

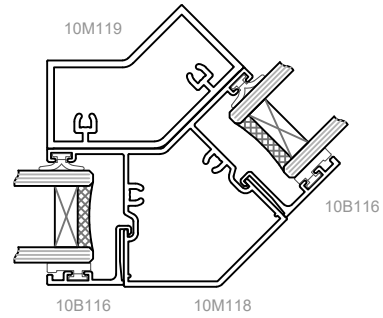
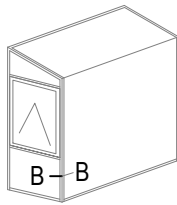


SECTION B-B

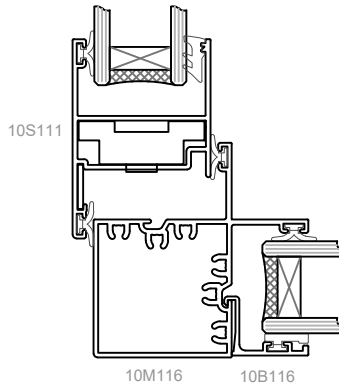
AWNING / CASEMENT WINDOW - STANDARD FRAME

Rev 0

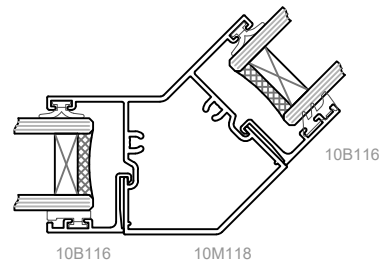




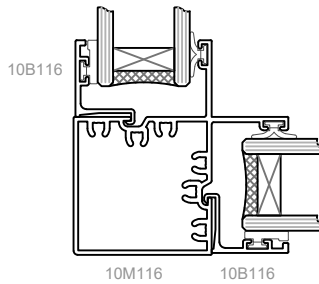
SECTION C-C



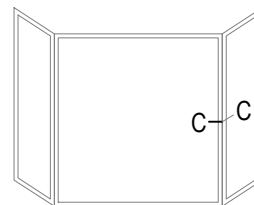
SECTION B-B



SECTION C-C



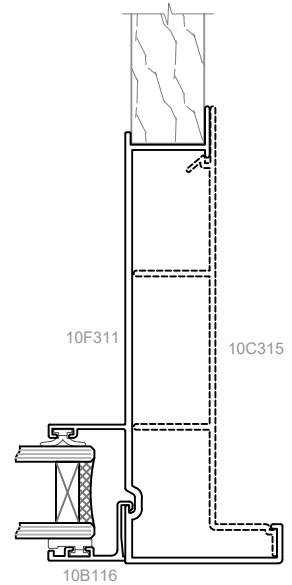
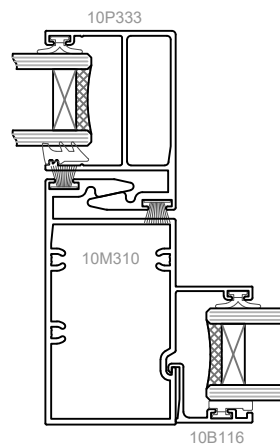
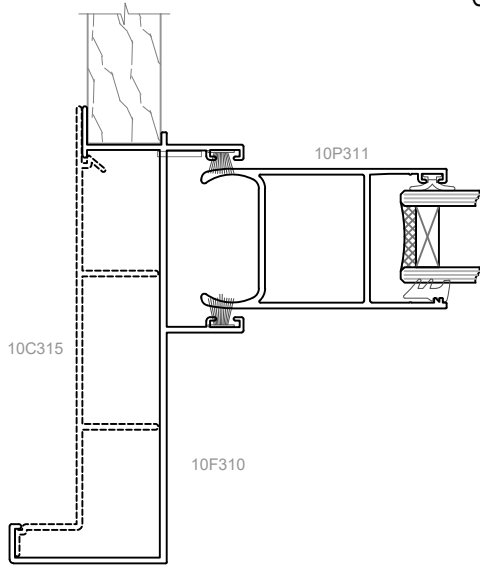
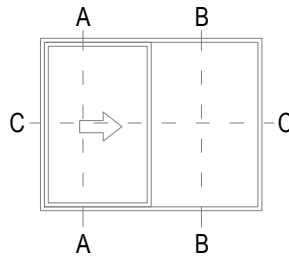
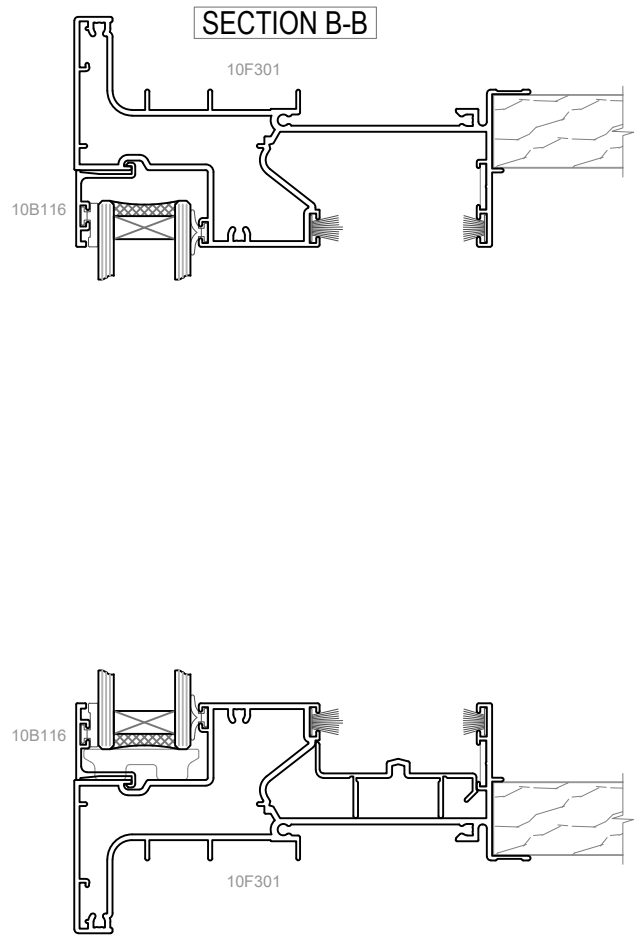
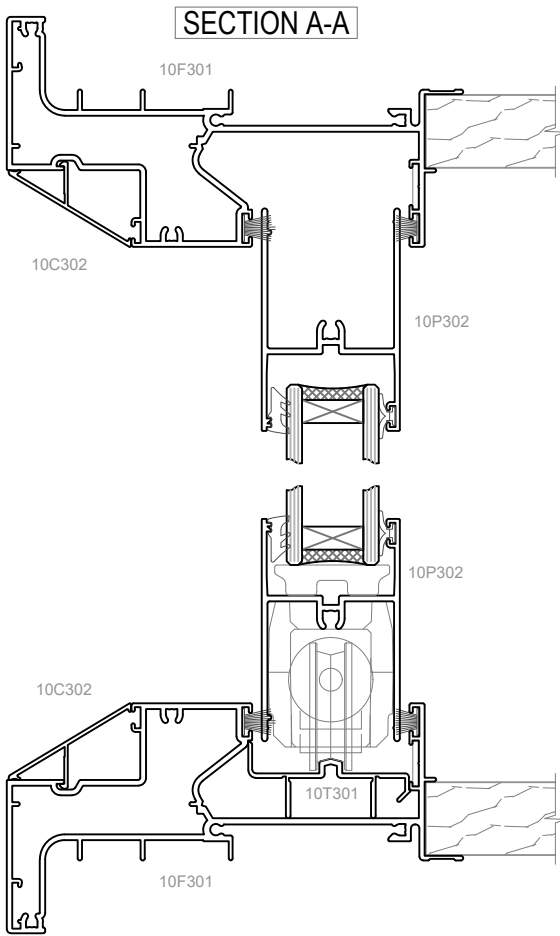
SECTION B-B



AWNING / CASEMENT WINDOW - STANDARD FRAME

Rev 0





SECTION C-C

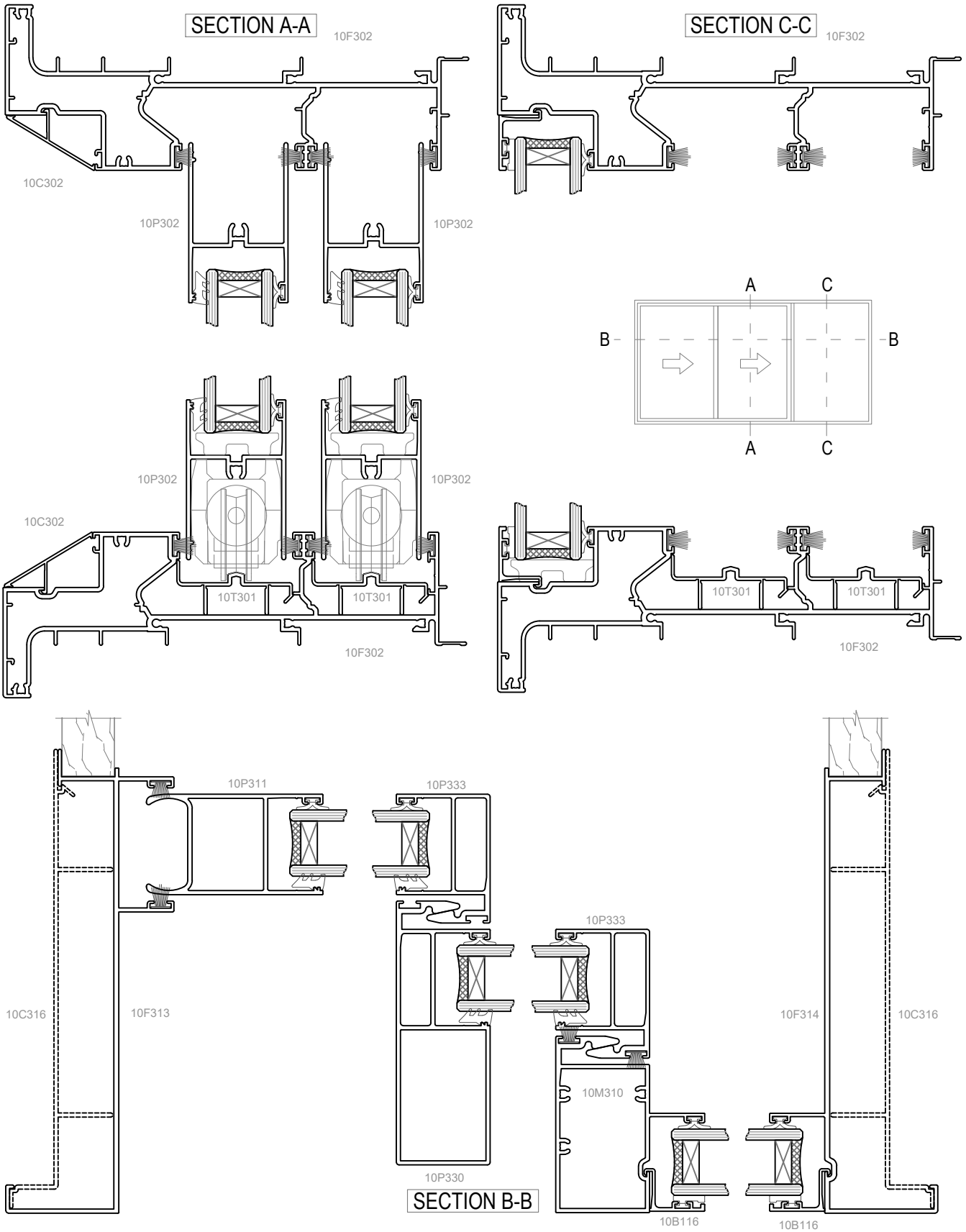
HORIZONTAL SLIDING WINDOW - SQUARE CUT

Rev 0



# Residential 36

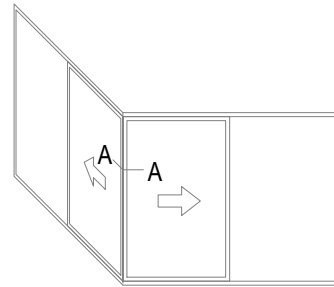
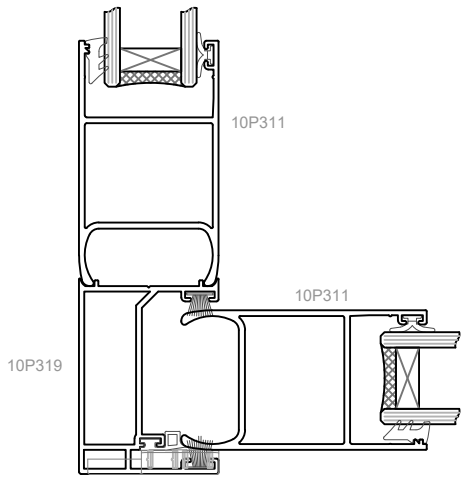
Cross Sectional  
CAD Details



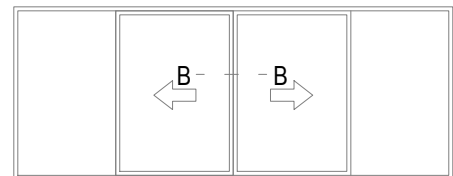
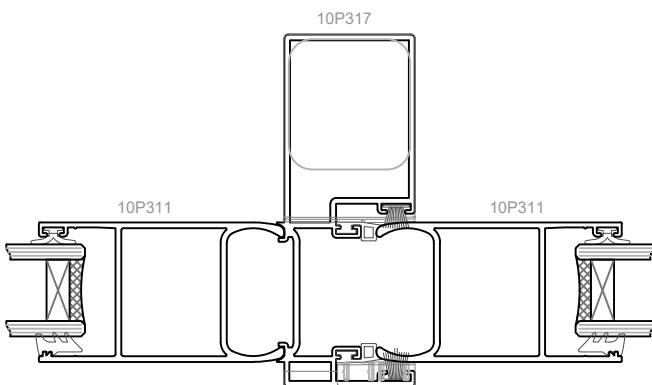
HORIZONTAL SLIDING WINDOW - SQUARE CUT

Rev 0





SECTION A-A



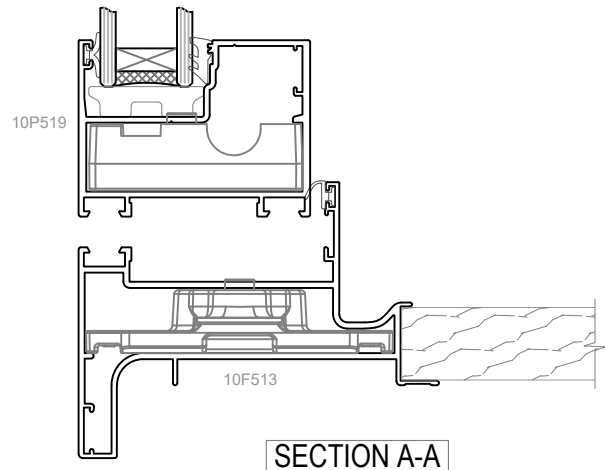
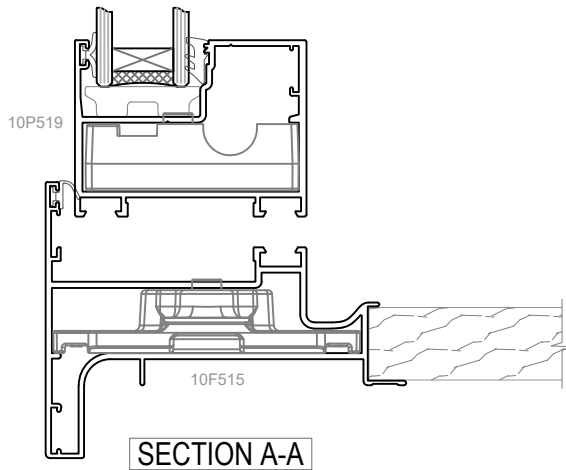
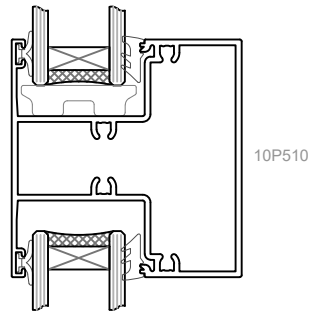
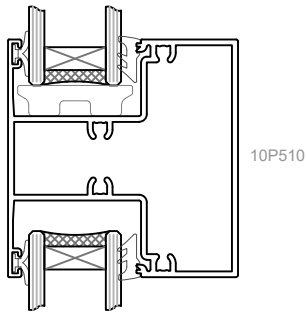
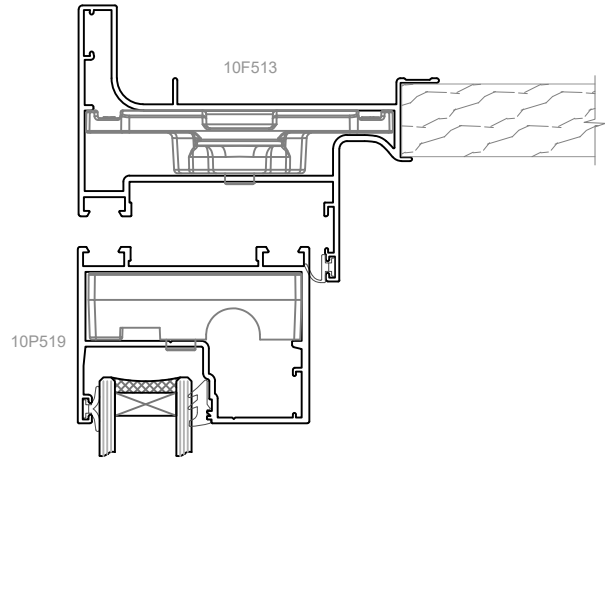
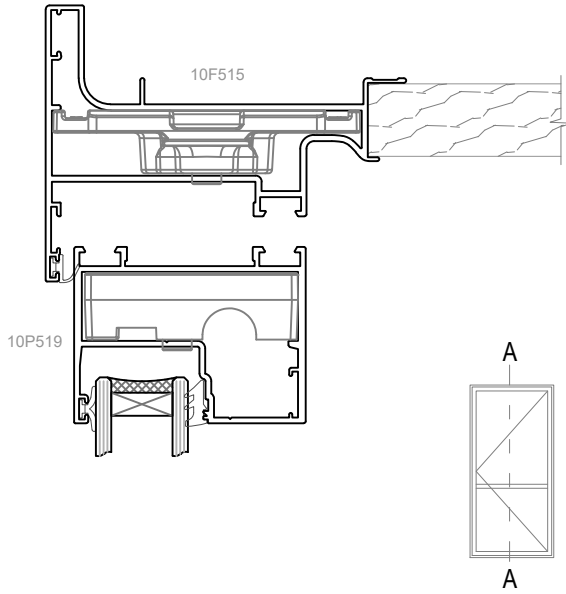
SECTION B-B

HORIZONTAL SLIDING WINDOW - SQUARE CUT

# Residential 36

Cross Sectional

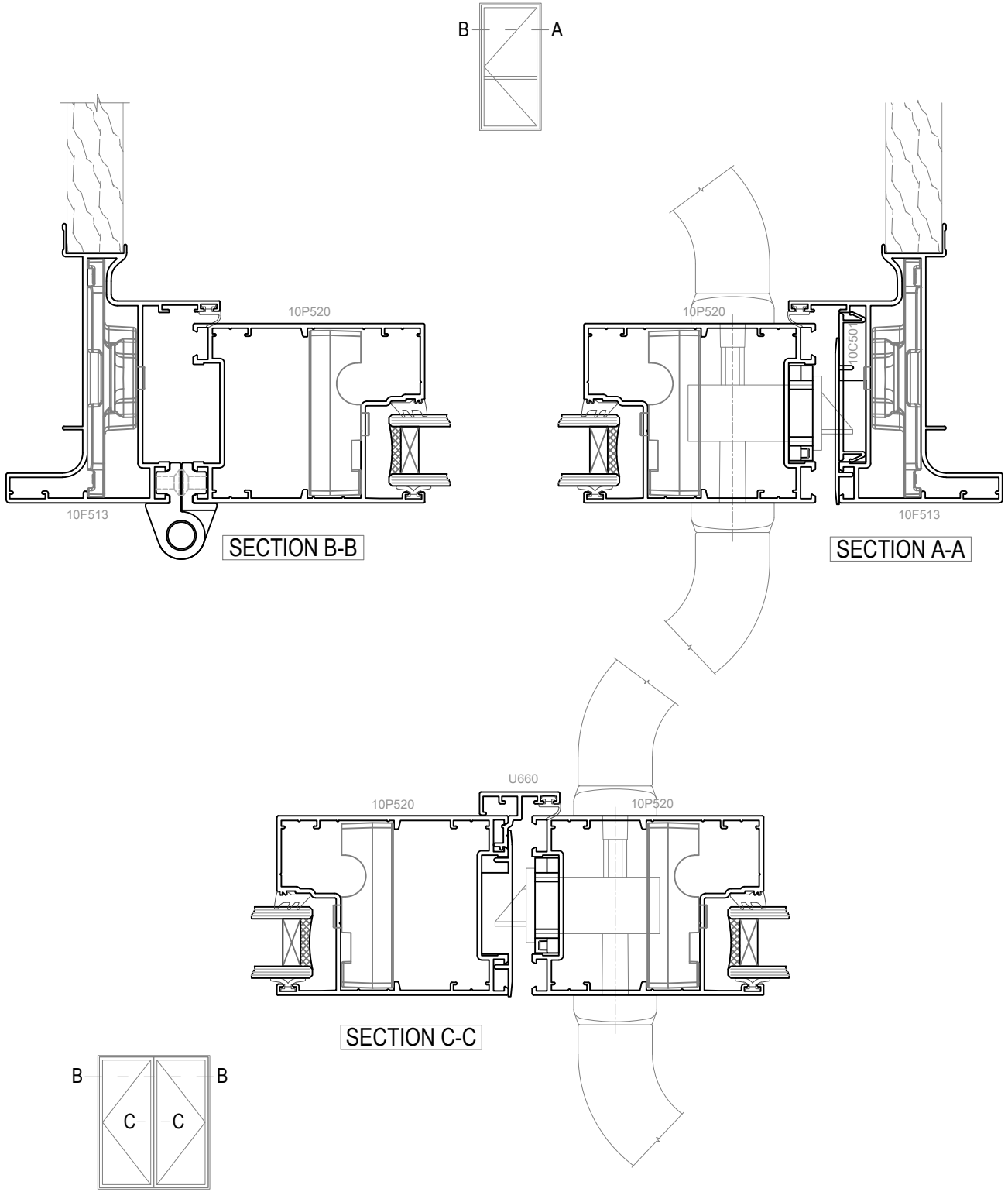
CAD Details



HINGED DOOR

Rev 0

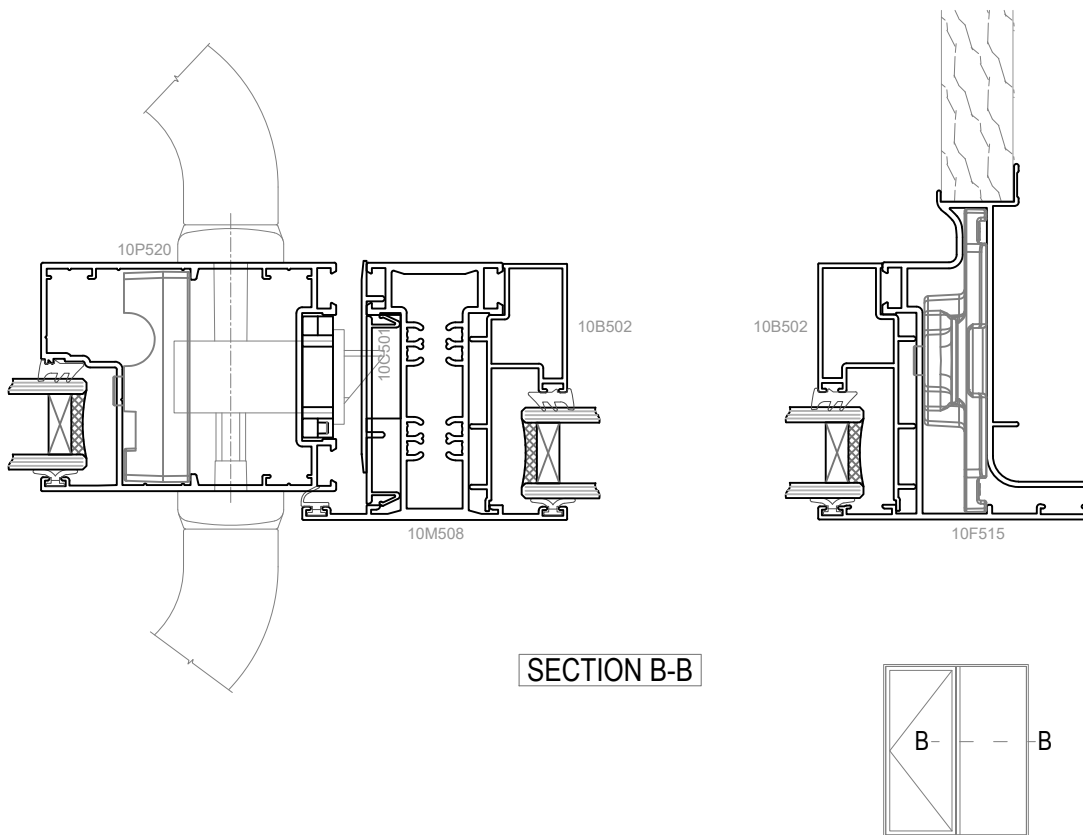
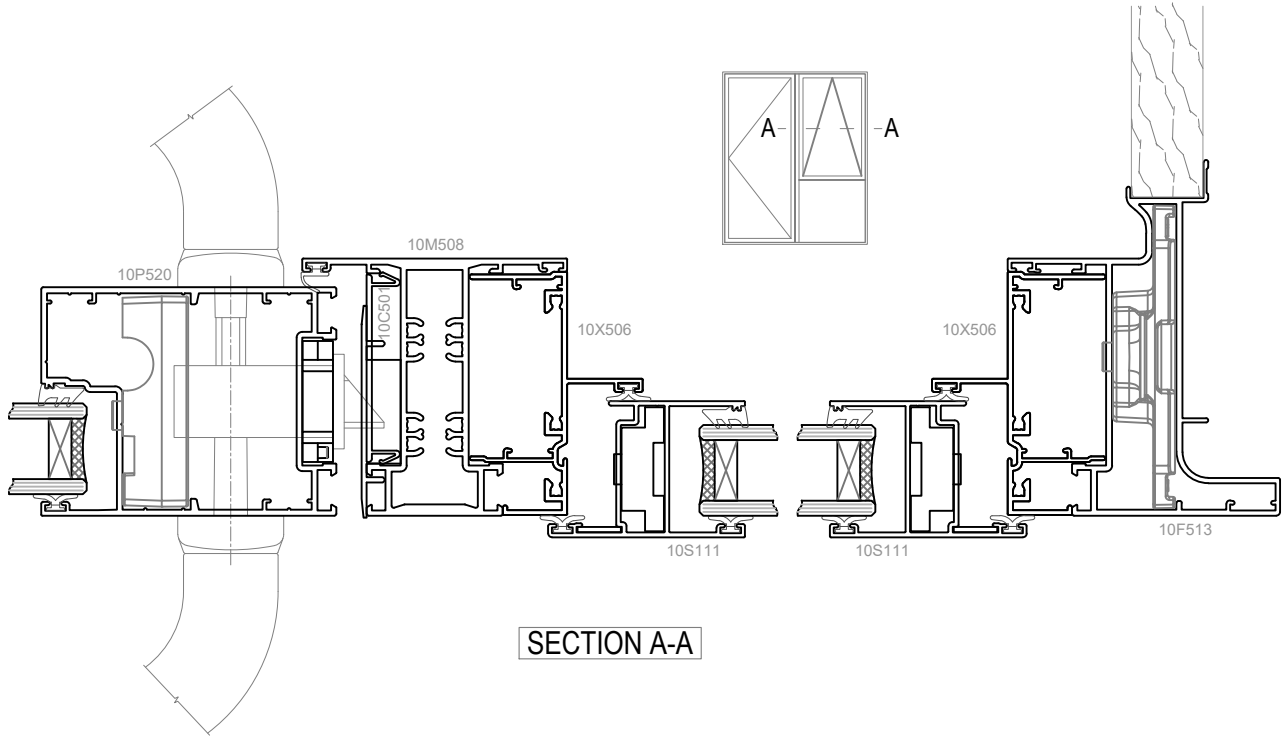




HINGED DOOR

Rev 0 | 

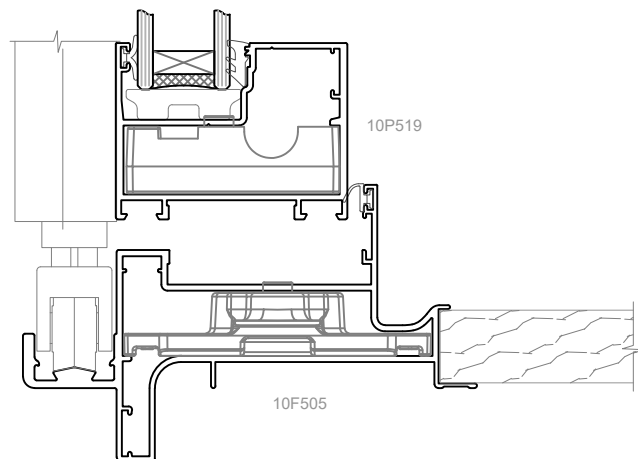
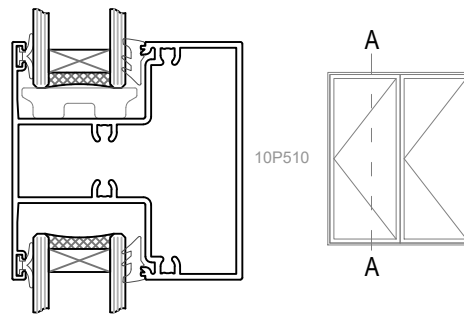
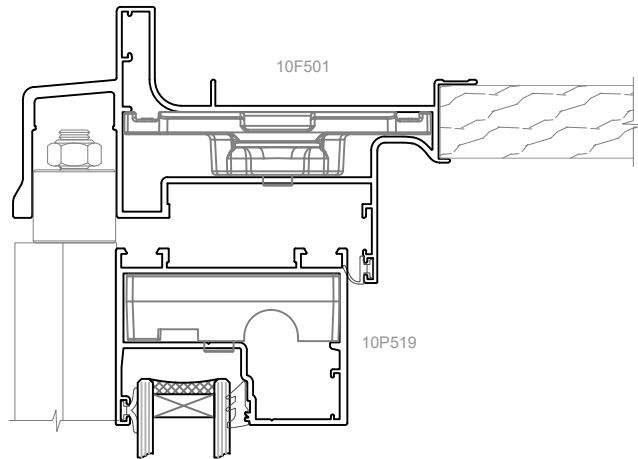




HINGED DOOR

Rev 0



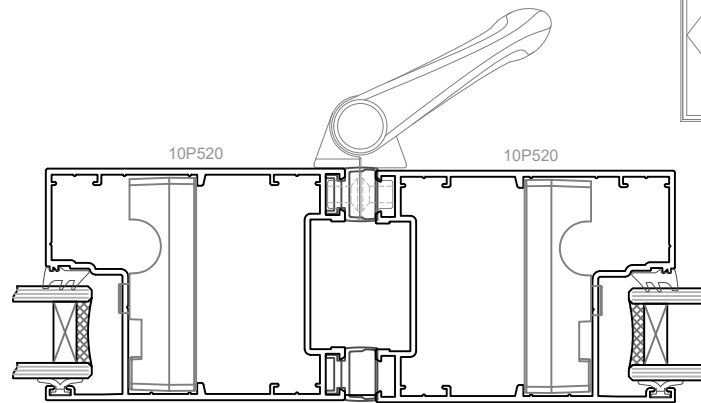
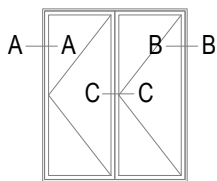
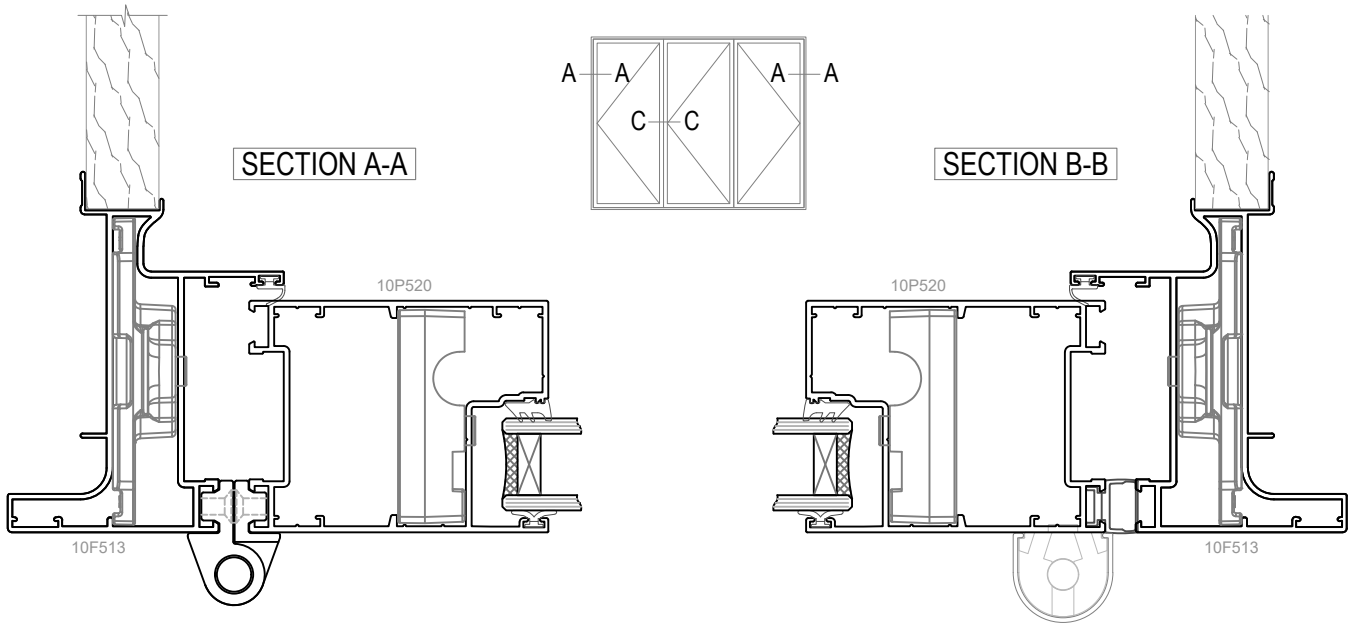


SECTION A-A

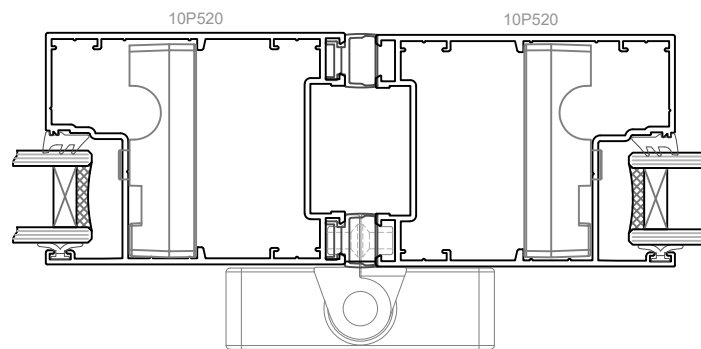
BOTTOM ROLLING BI-FOLD DOOR

Rev 0



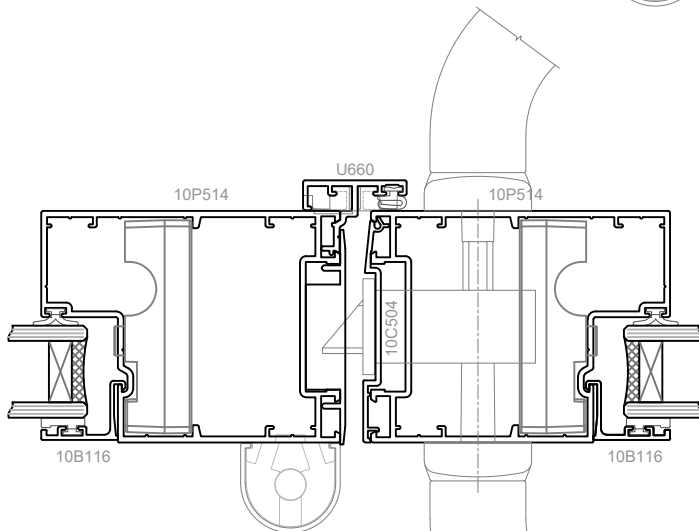
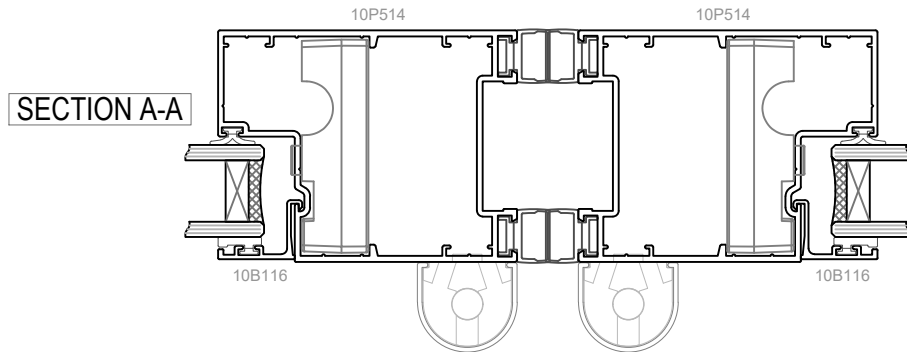
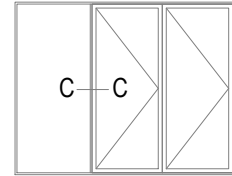
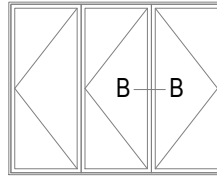
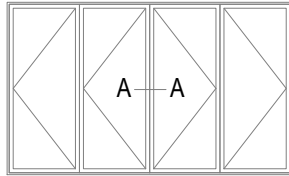


SECTION C-C

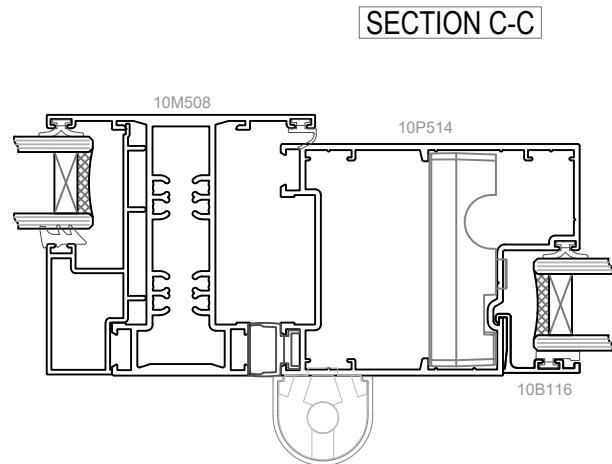


SECTION D-D

BOTTOM ROLLING BI-FOLD DOOR



SECTION B-B

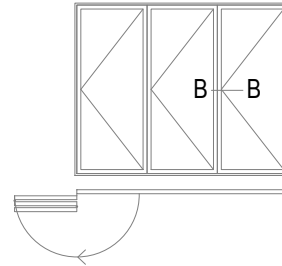
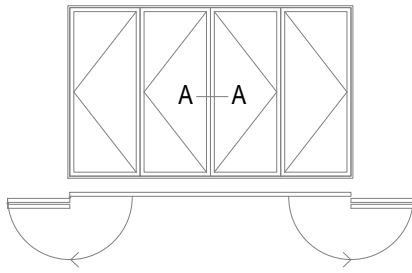


SECTION C-C

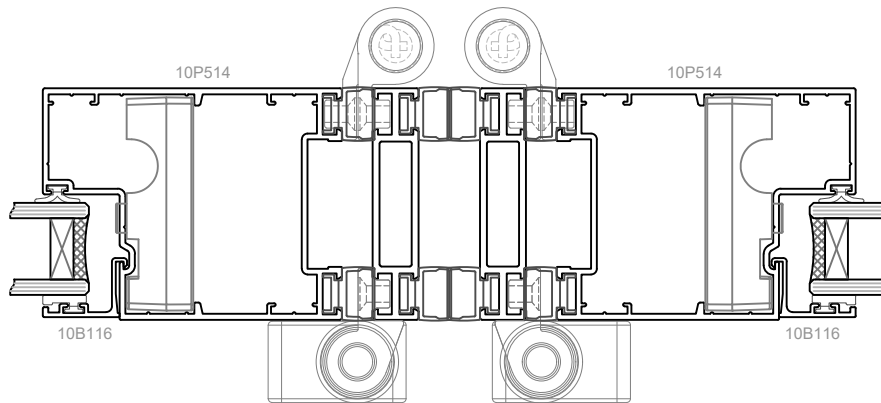
BOTTOM ROLLING BI-FOLD DOOR

Rev 0

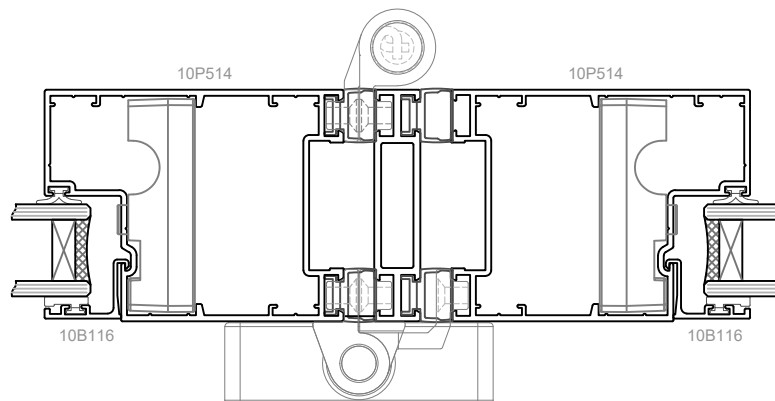




SECTION A-A



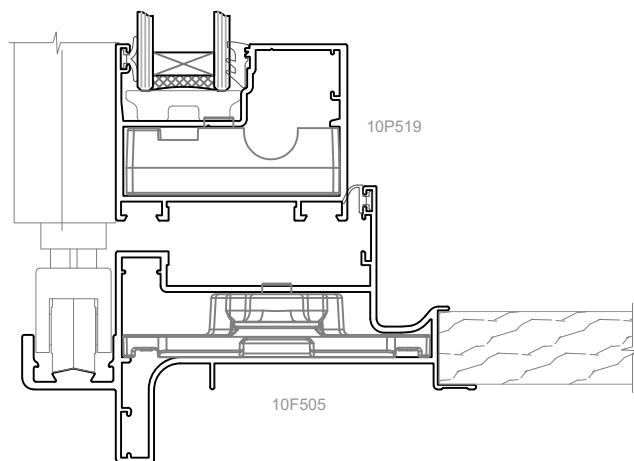
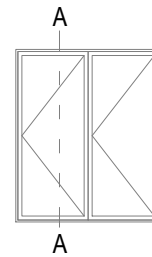
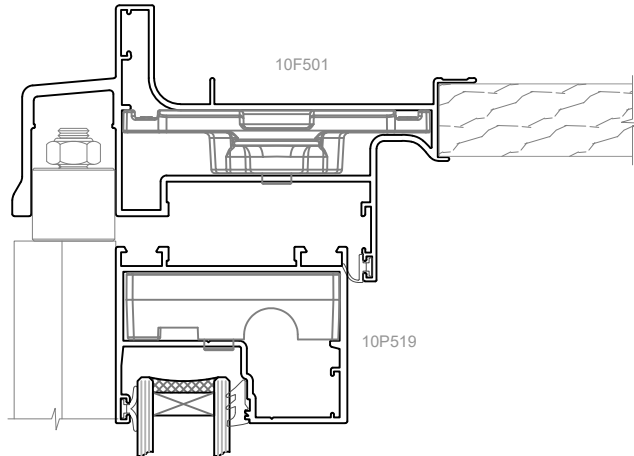
SECTION B-B



BOTTOM ROLLING BI-FOLD DOOR - FREEFOLD

Rev 0



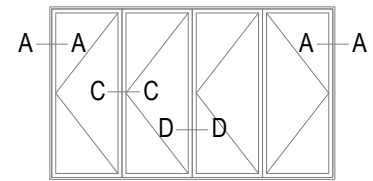
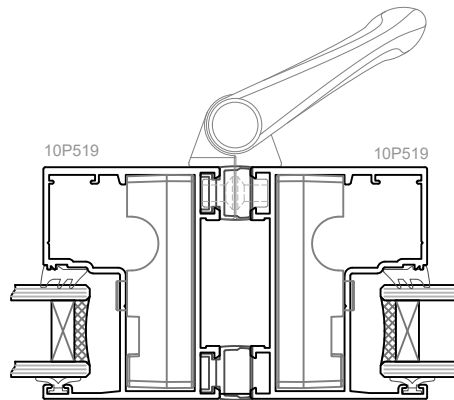
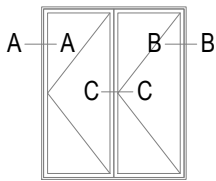
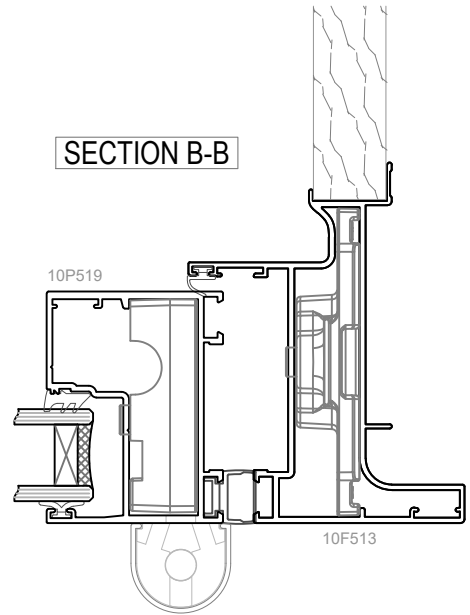
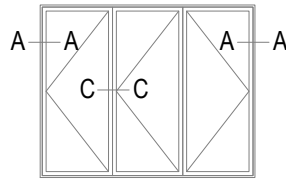
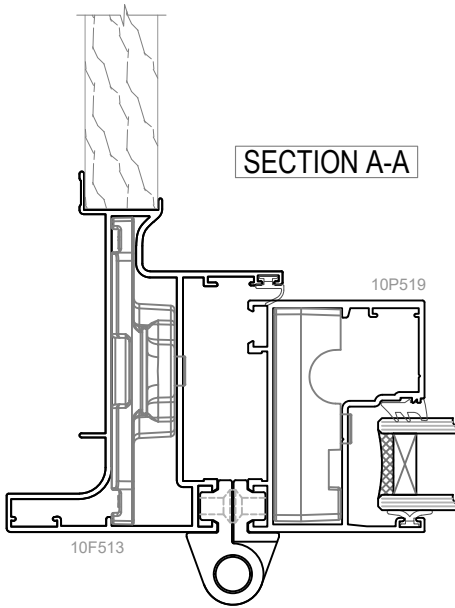


SECTION A-A

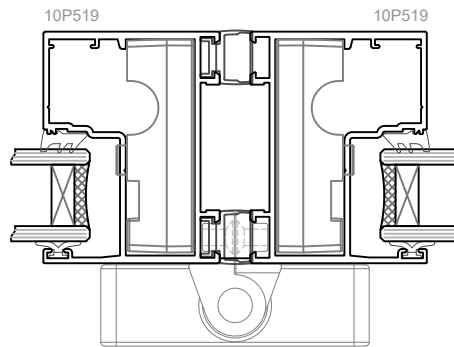
BI-FOLD WINDOW

Rev 0





SECTION C-C

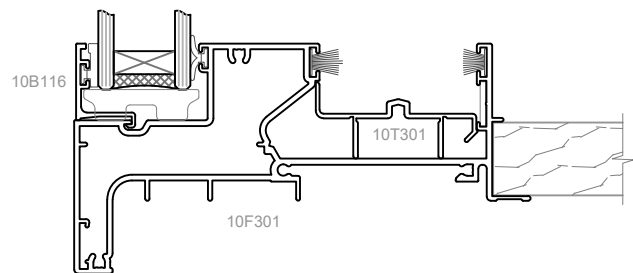
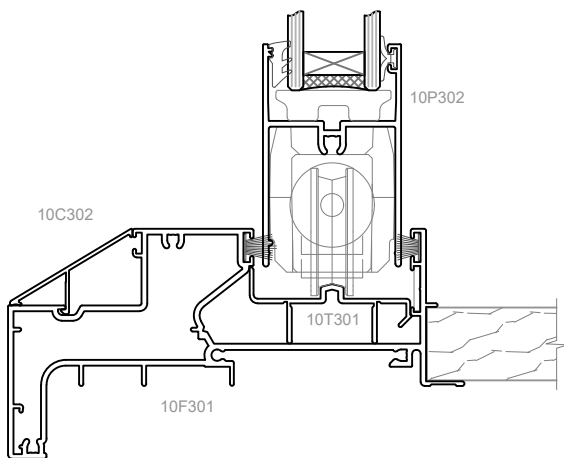
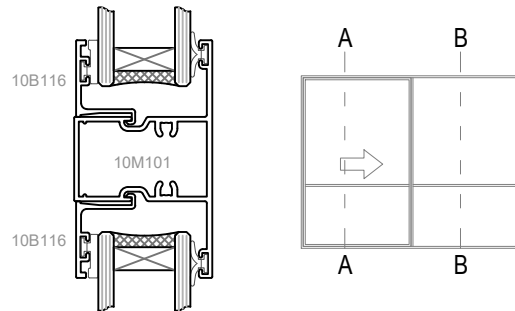
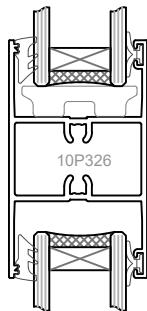
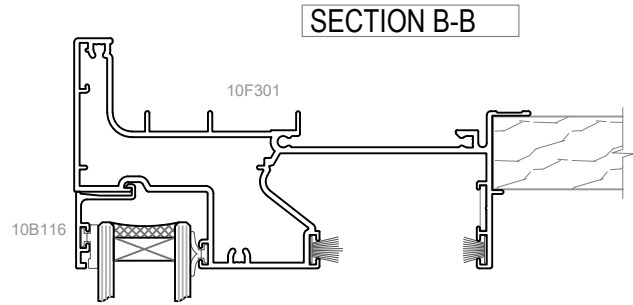
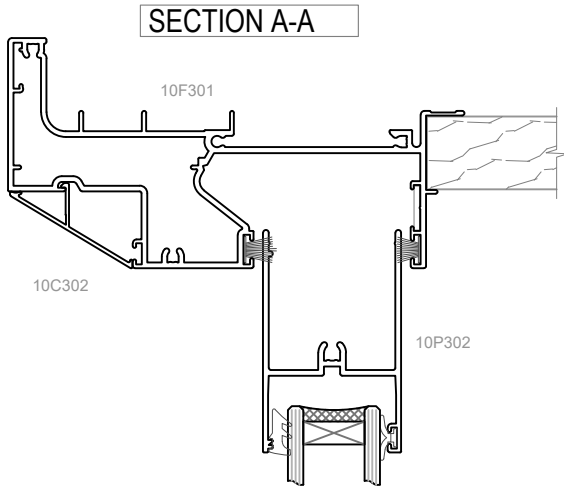


SECTION D-D

BI-FOLD WINDOW

Rev 0



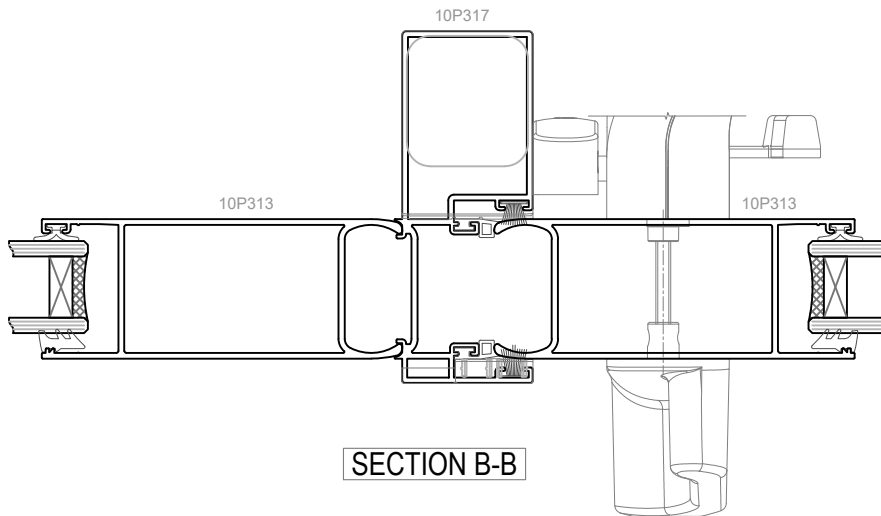
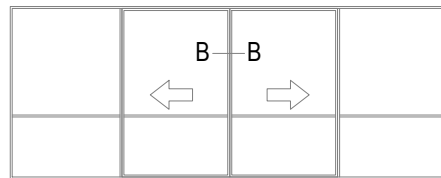
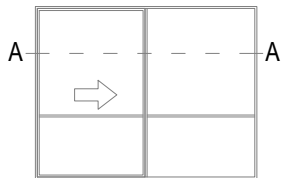
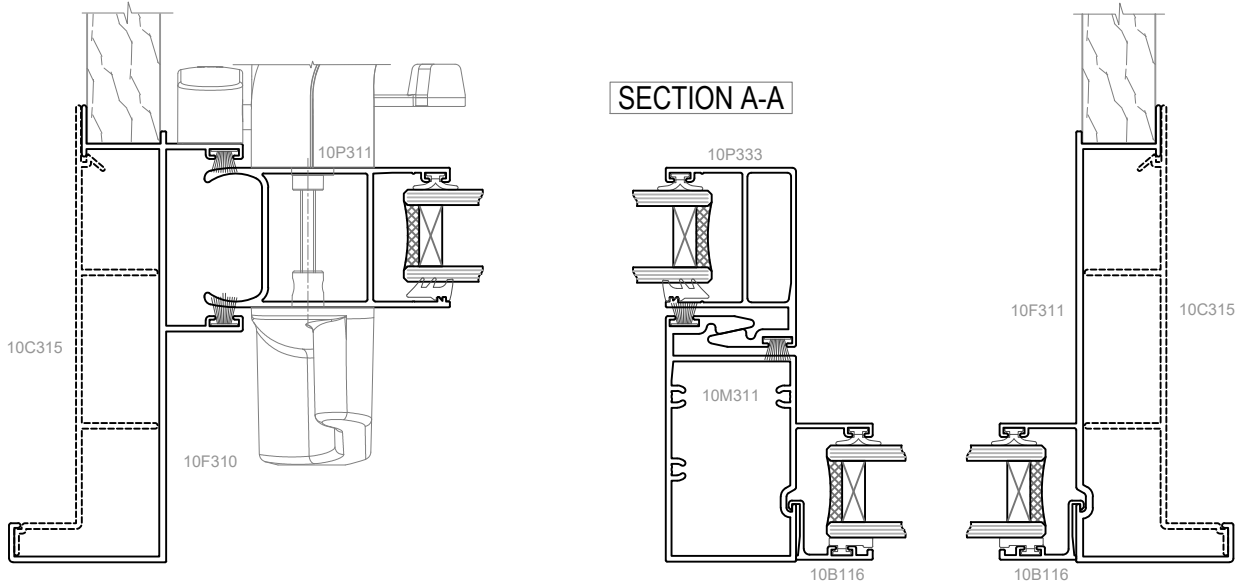


SLIDING DOOR - SQUARE CUT

Rev 0



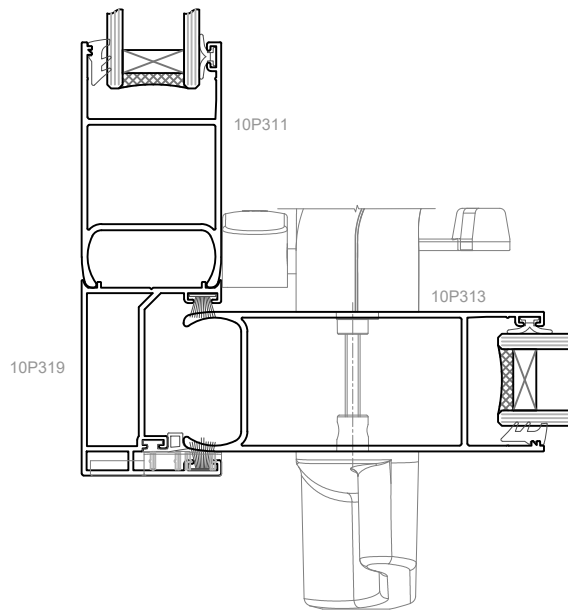
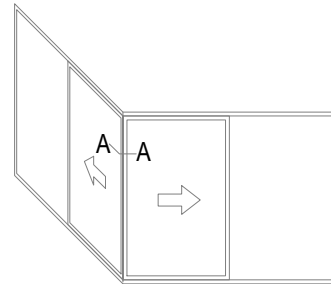




SLIDING DOOR - SQUARE CUT

Rev 0



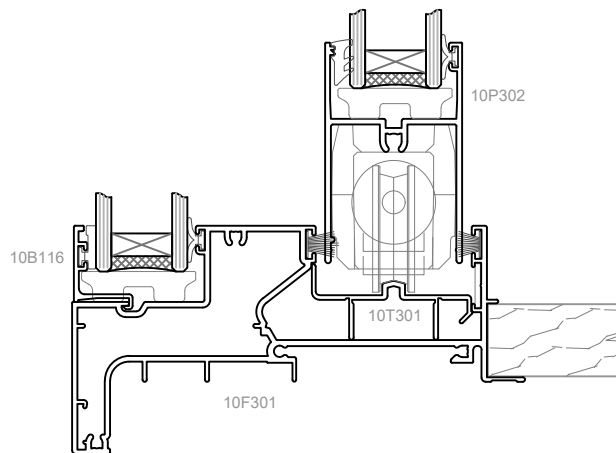
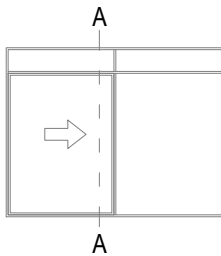
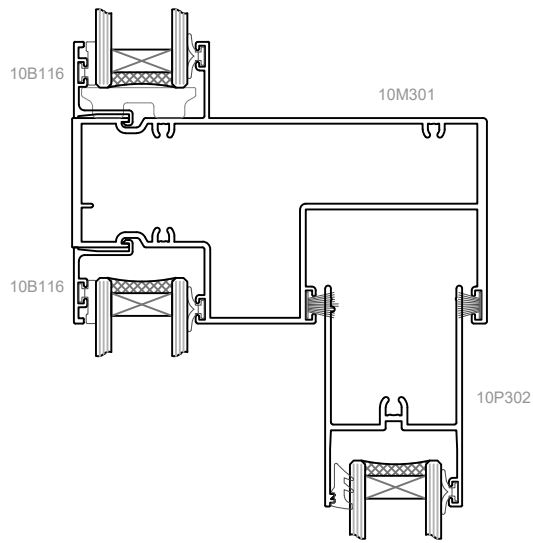
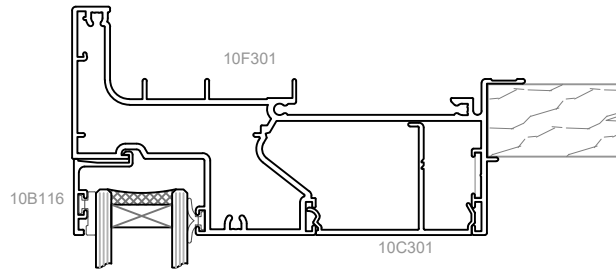


SECTION A-A

SLIDING DOOR - SQUARE CUT

Rev 0



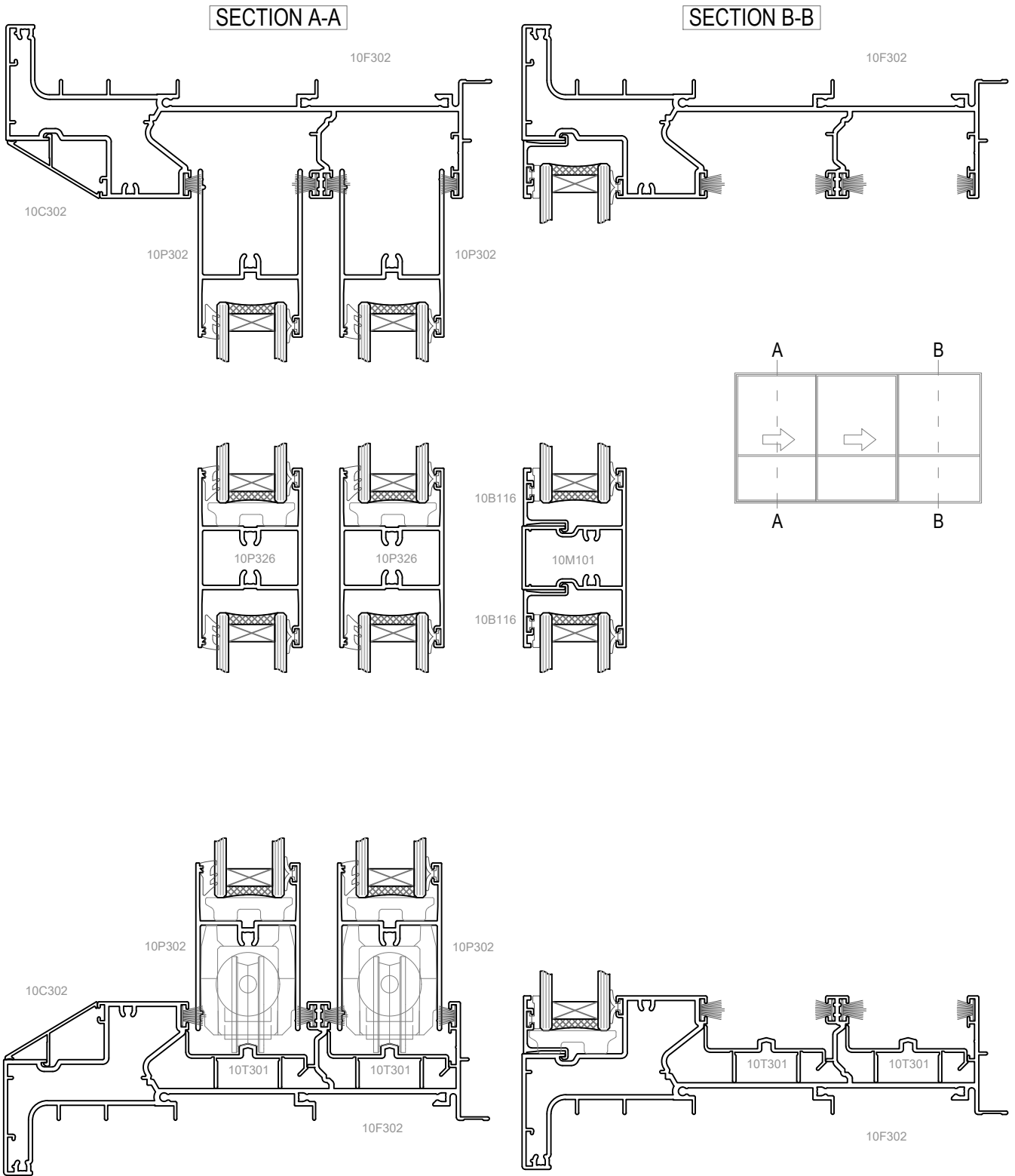


SECTION A-A

SLIDING DOOR - SQUARE CUT

Rev 0

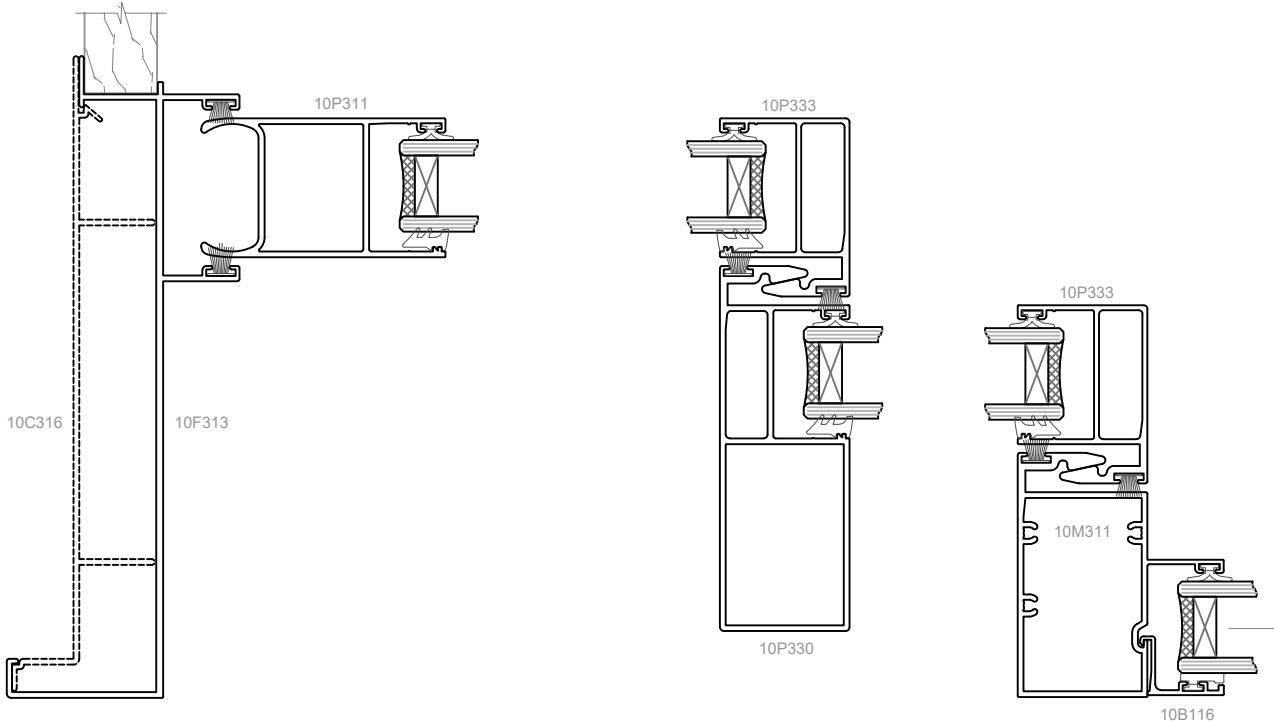




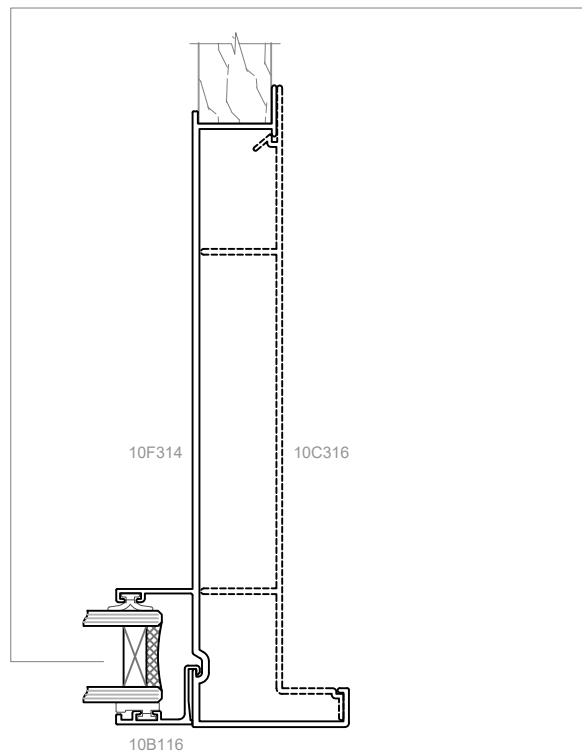
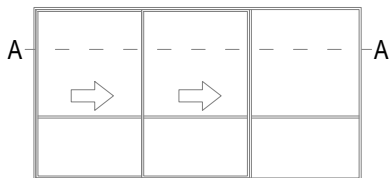
STACKING DOOR - SQUARE CUT

Rev 0





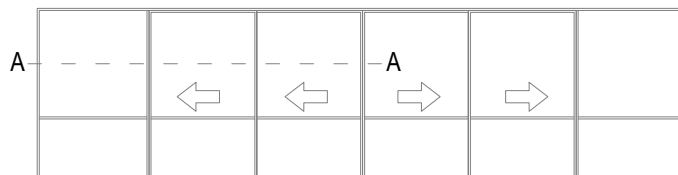
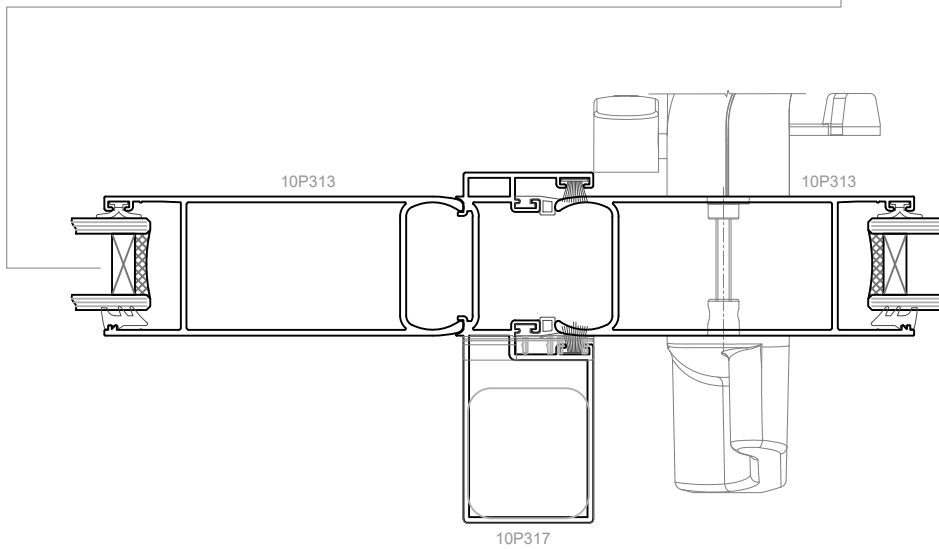
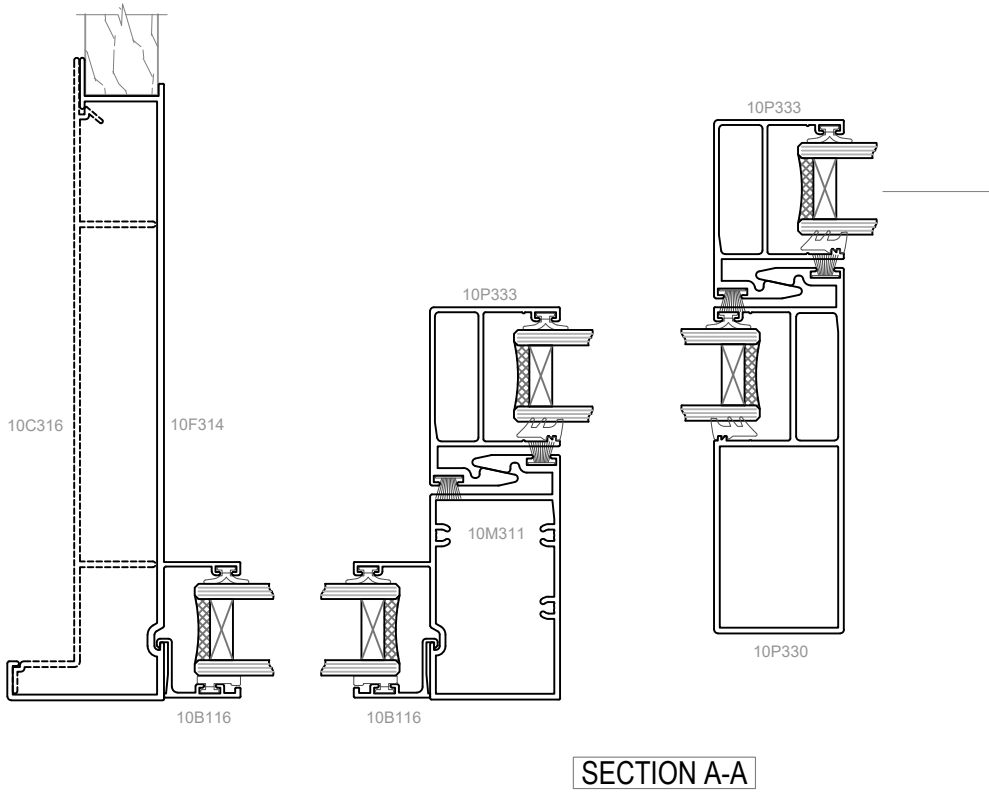
SECTION A-A



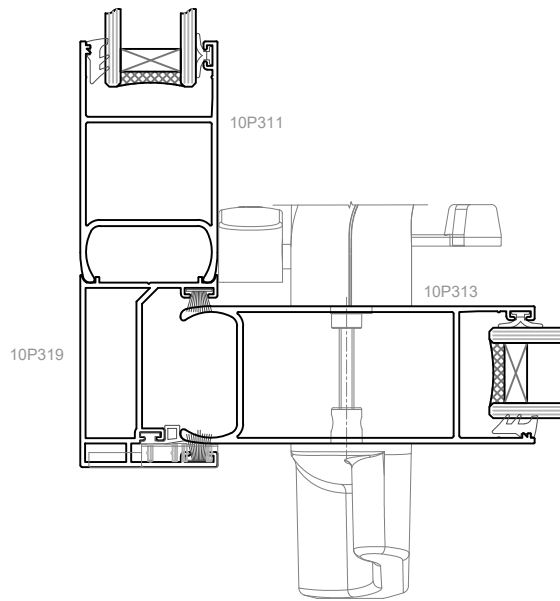
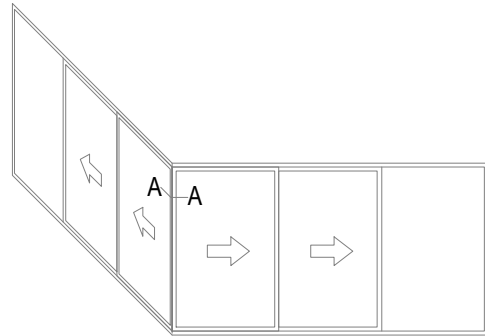
STACKING DOOR - SQUARE CUT

Rev 0





STACKING DOOR - SQUARE CUT

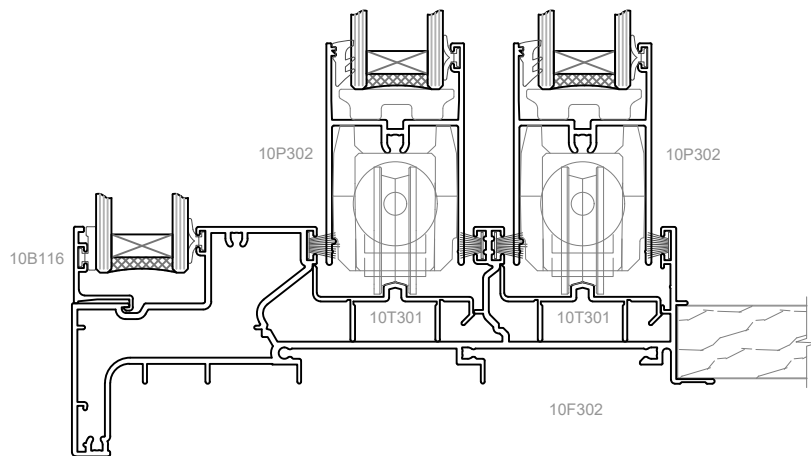
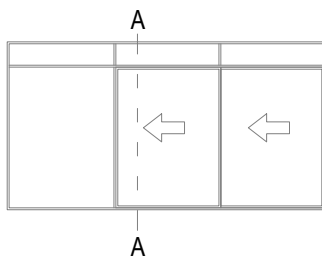
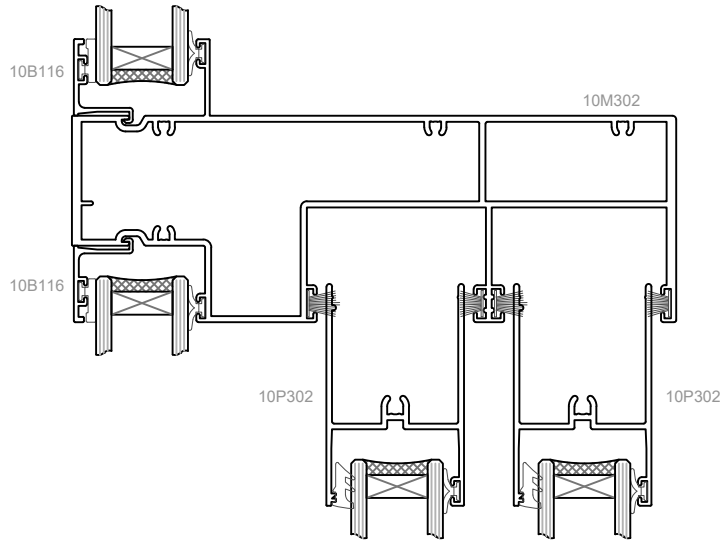
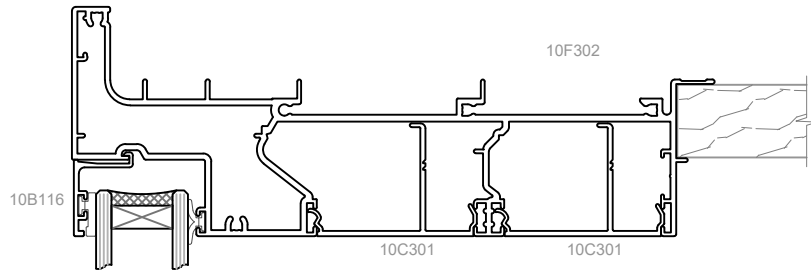


SECTION A-A

STACKING DOOR - SQUARE CUT

Rev 0





SECTION A-A

STACKING DOOR - SQUARE CUT

Rev 0

