



Sanifos® 1300

The Sanifos® 1300 packaged pumping station is designed for large-medium residential or commercial use and is an efficient solution where gravity reliant sewerage systems are not possible due to limited site access and site constraints such as property sloping away from the sewer or infrastructure.



WHY CHOOSE THIS PRODUCT?

Ideal for larger single dwelling residential or commercial applications

Tough robust cutter blade assembly

Compact space saving tank design

Engineered to Australian Standards AS1546

Intelligent controller with high level alarm

Choice of optional inlet connection points

Working temperature of 70°C max for short periods

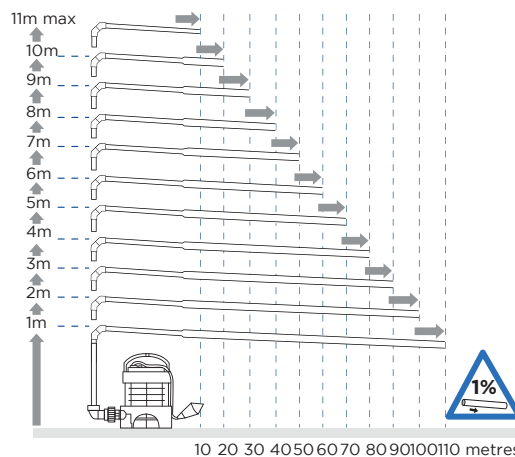
IP68 rated

Complete package ready to install. Includes dual pumps internal pipework, non return and ball valve supplied

Energy saving and reduced motor wear thanks to large working volume and shared duty cycle

VERTICAL/HORIZONTAL PERFORMANCE

Increase size of horizontal run by one pipe size after 5m. All horizontal pipework requires a minimum of 1:100 fall.



APPLICATIONS



TOILET



HAND BASIN



BATH



SHOWER



WASHING MACHINE



DISH WASHER



KITCHEN SINK

Product Reference: SA304



Sanipump GR



Robust blade suitable for heavy usage



APPLICATIONS



TOILET



HAND BASIN



BATH



SHOWER



WASHING MACHINE



DISH WASHER



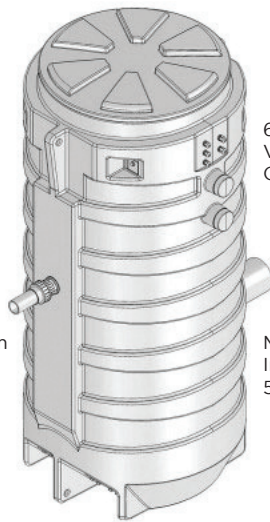
KITCHEN SINK

SANIFOS 1300

Product Reference: SA304

TECHNICAL CHARACTERISTICS

Discharge Pipework	40 mm
Motor Power Sanipump Cutter	2 X 1500 Watts
Weight	116 kg
Voltages	220-240 V/50 Hz
Tank Volume	1300 L
Working Waste Water Temp	35°C/Max 70°C (intermittent)
Overall Measurements	2140 x 1120 mm
Inlet Pipework	50/100 mm
IP Rating	IP68
Max Discharge Sanipump Cutter	216 L/min
Maximum Recommended Head	11 metres



65/100 mm Vent Connection

40 mm Outlet

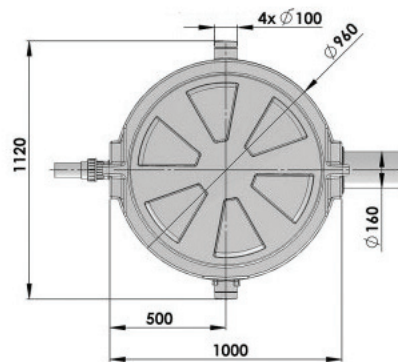
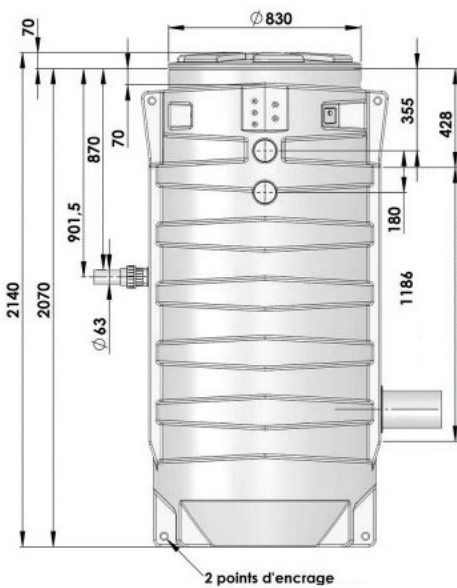
Multiple Inlets 50/100 mm



Smart control box

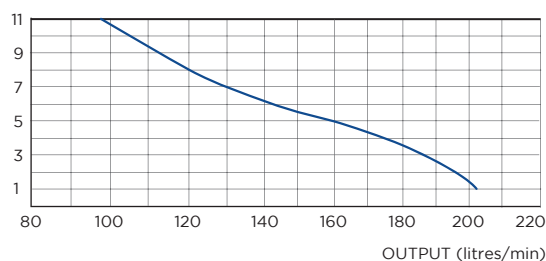


Alarm box (HF)



FLOW RATE PERFORMANCE CHART

Discharge height (m)



Made in France to the highest standards, needs to be installed by a licensed plumber