

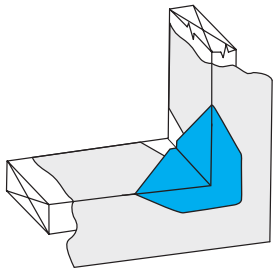


40 Below & Hydro Flashing Tape

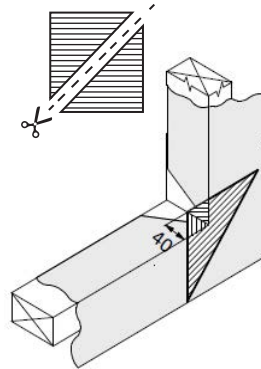
Installation Instructions for 40 Below (Ultra Sticky)
40 Below Platinum, 40 Below Flex and Hydro

40 Below Ultra Sticky and 40 Below Platinum ONLY:
Two layers are required on the sill for nail and screw sealability

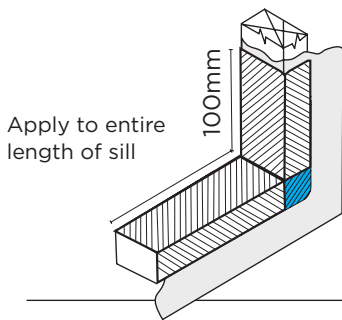
Window Sill Installation Instructions



1. Corner Guard *option 1*
Place the *Masons Corner Guard* over the building wrap and into the **bottom** corners of the window or door sill and staple to the jamb. With steel frames use double sided tape to attach the *Corner Guard* to the metal.



1. Corner Guard *option 2*
Cut a 150mm square of *Flashing Tape* into two equal triangular pieces. Install these at the **bottom** corners of the frame opening. The triangle needs to reach 40mm in from the extreme end of the window sill, with the remainder overlapping the building paper.



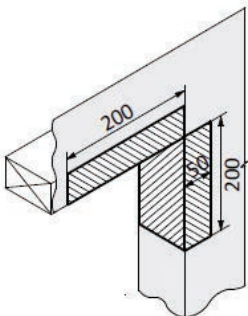
Apply to entire length of sill

2. Sill Guard

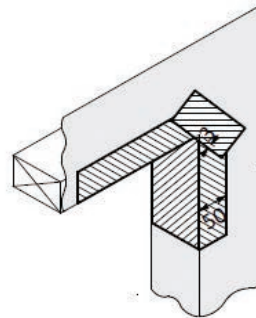
- A. Install sill tape flush with the interior face of the opening. Apply along entire length of sill, continue up each jamb with a minimum of 100mm
- B. IMPORTANT: Press tape firmly into the corner over the Corner Guard first, then fold around onto the frame face.
- C. Fold remainder *Flashing Tape* against outer face of frame/building. Smooth out all creases & press firmly for good adhesion.



Window Head Installation



1. Lintel Piece
Install lintel pieces on top corners of opening, 200mm along the lintel and 200mm down the jamb. Slit at each corner and fold onto outer face of building wrap (at least 50mm).



2. Butterflies

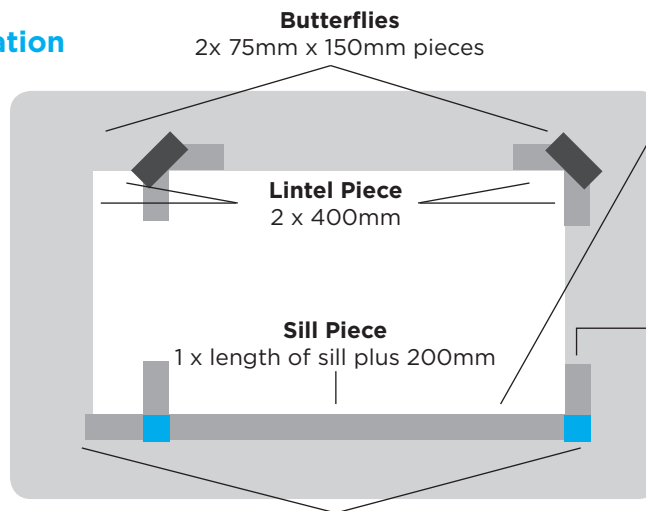
To create a seal at corner junction, install butterflies at 45° across the corner of head/jamb.

Window Head Flashing Installation

Apply *Masons Flashing Tape* to top of window head flashing, up-stand and building wrap. Refer to window & cladding details for specific application.

To ensure maximum adhesion of the tape, make sure the substrate surface is clean, dry and free from any dust or other contaminants.

Always use a Masons or similar plastic scraper to firmly press tape into the surface.



Install two layers of 40 Below and 40 Below Platinum to the sill to achieve nail and screw sealability. Only one layer of 40 Below Flex or Hydro is required to the sill.

100mm minimum tape up Jamb. 200mm up either side of Jamb is recommended.