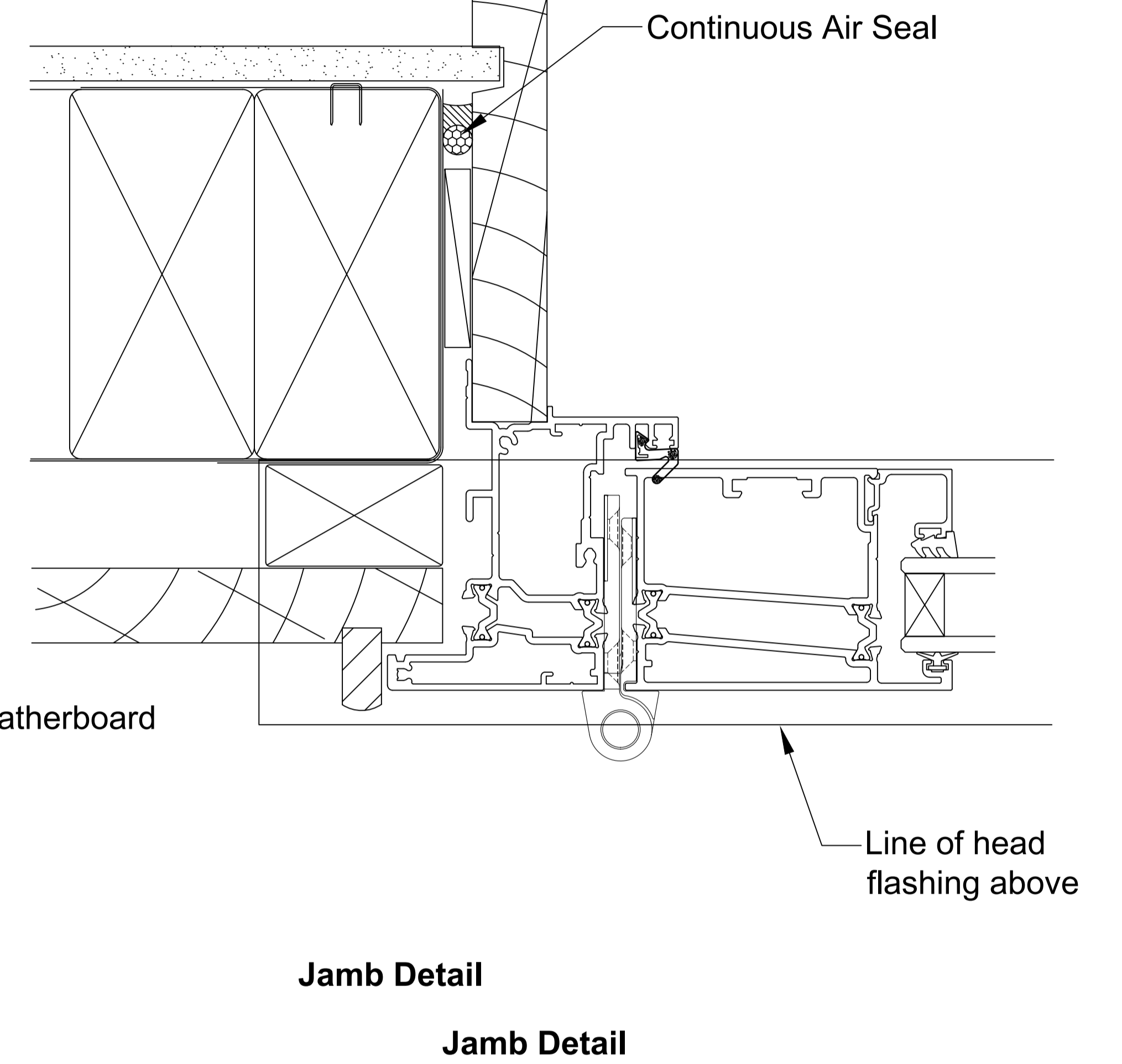
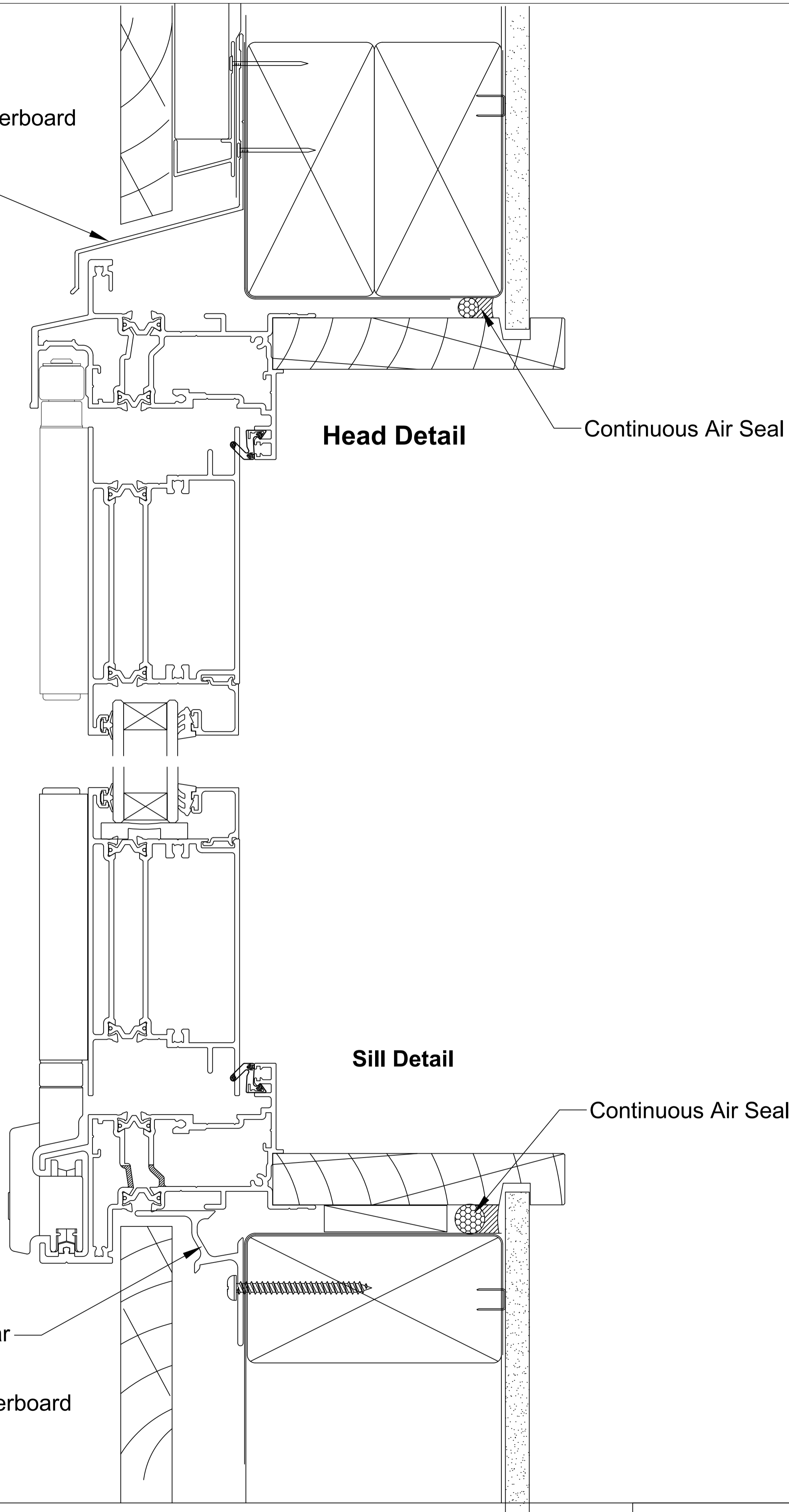


Note:
 Sill support bar may be up to 100mm short of the Trim Opening at either end.
 It is recommended that the bar is installed the full Width of the opening to ensure it picks up the window or door frame support blocks.

Rusticated Weatherboard

Head flashing



Note:

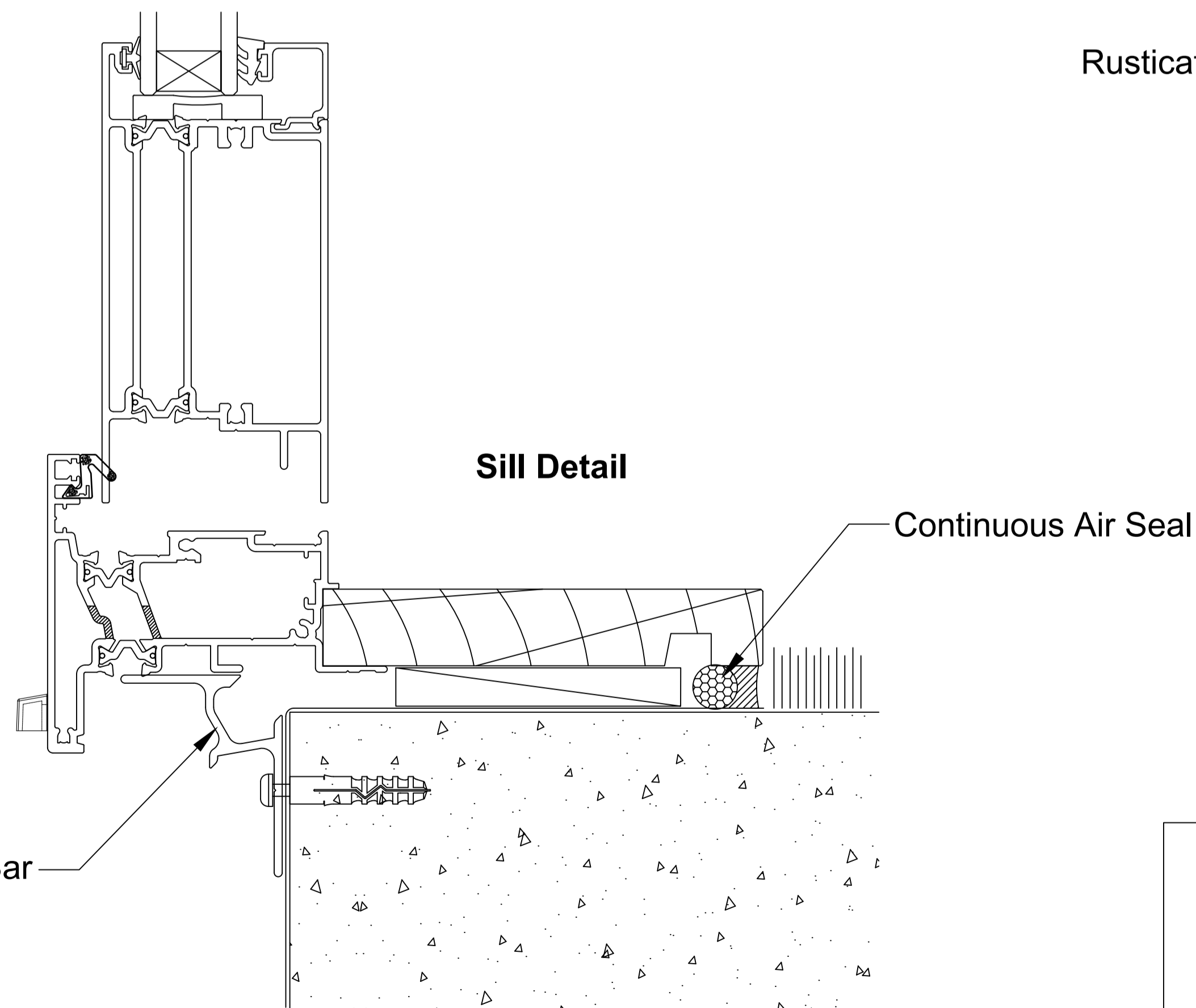
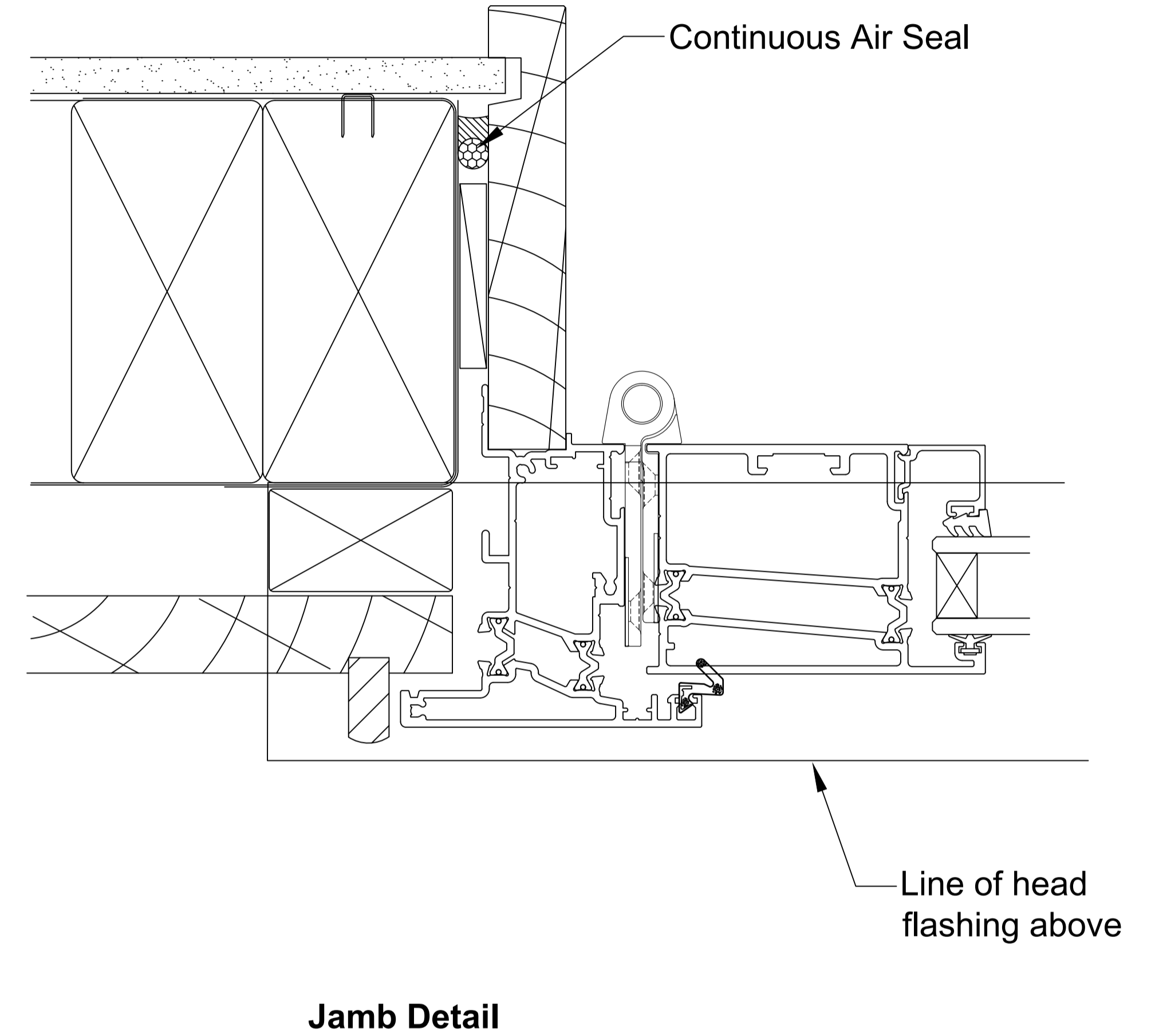
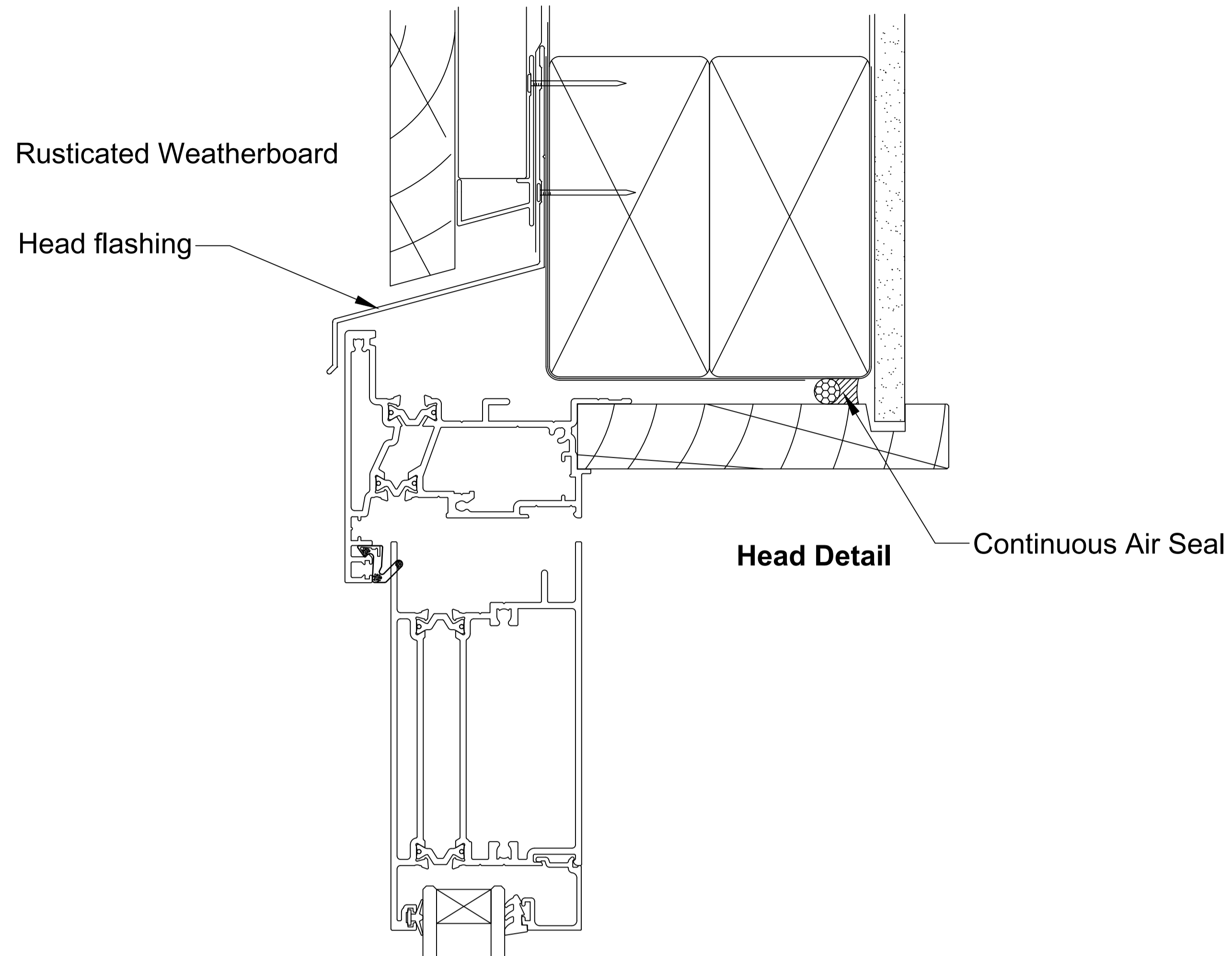
Sill support bar may be up to 100mm short of the Trim Opening at either end. It is recommended that the bar is installed the full Width of the opening to ensure it picks up the window or door frame support blocks.

**OMEGA WINDOWS AND DOORS
BIFOLD DOOR
400 SERIES THERMAL**

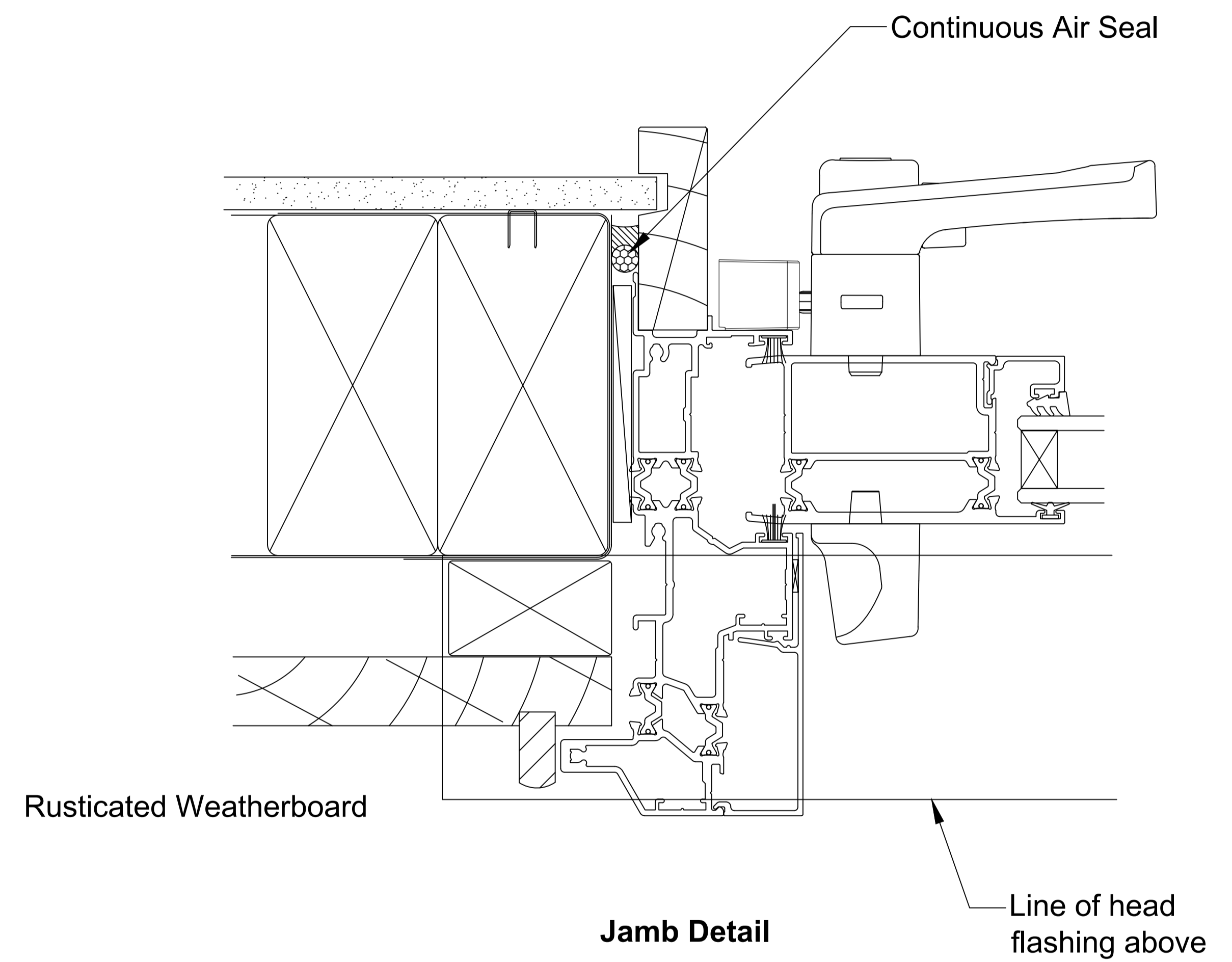
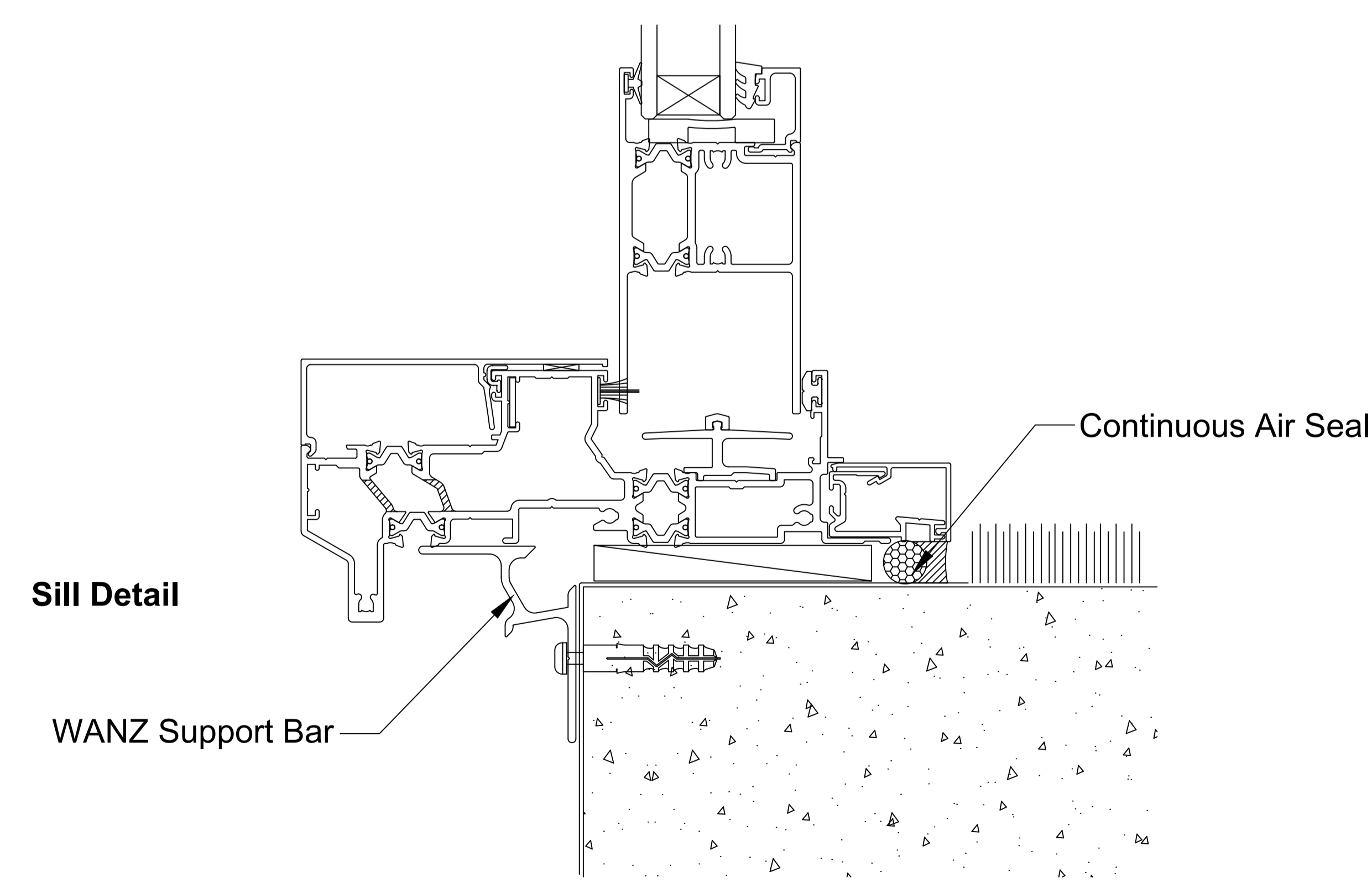
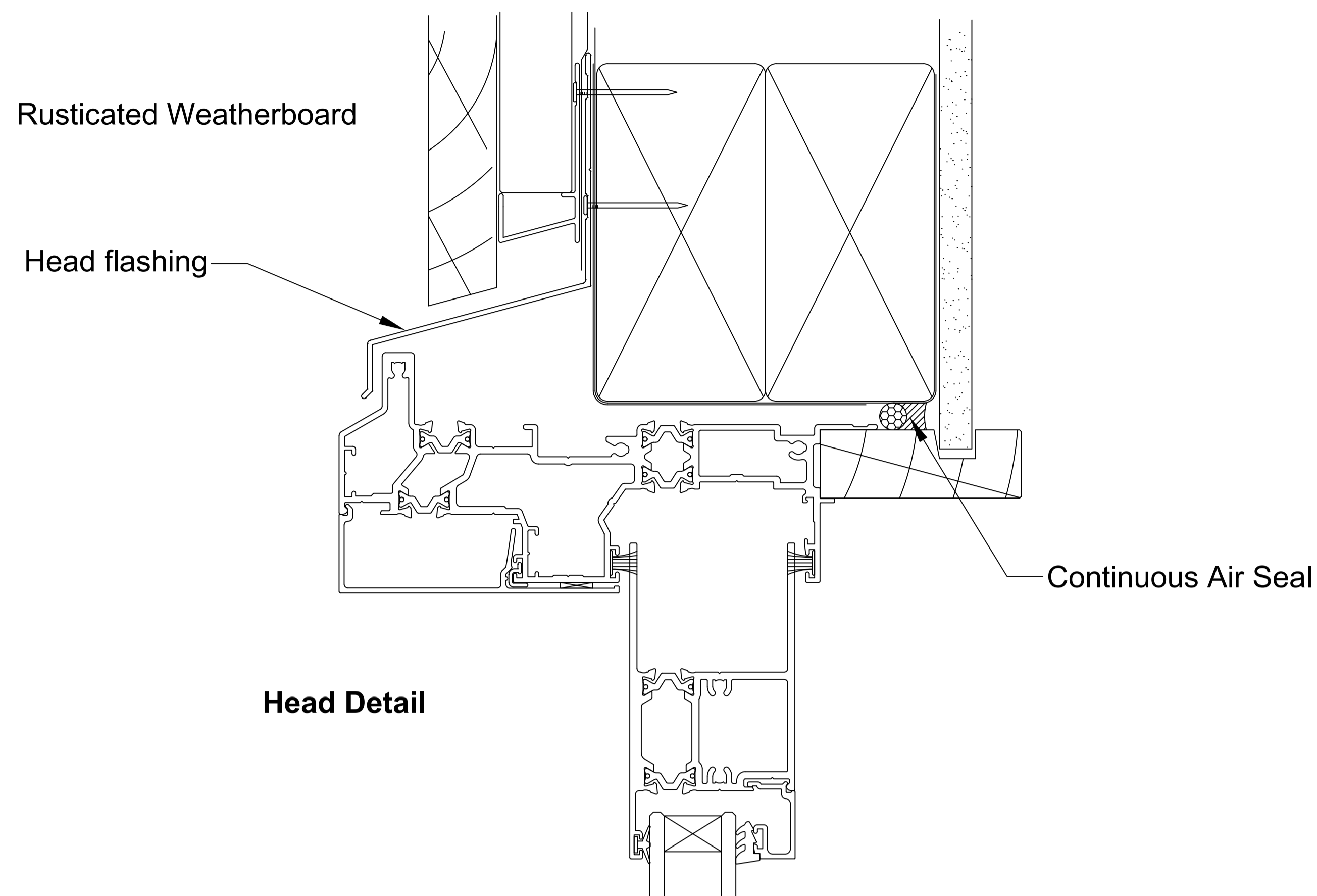
**RUSTICATED
WEATHERBOARD**

50.0

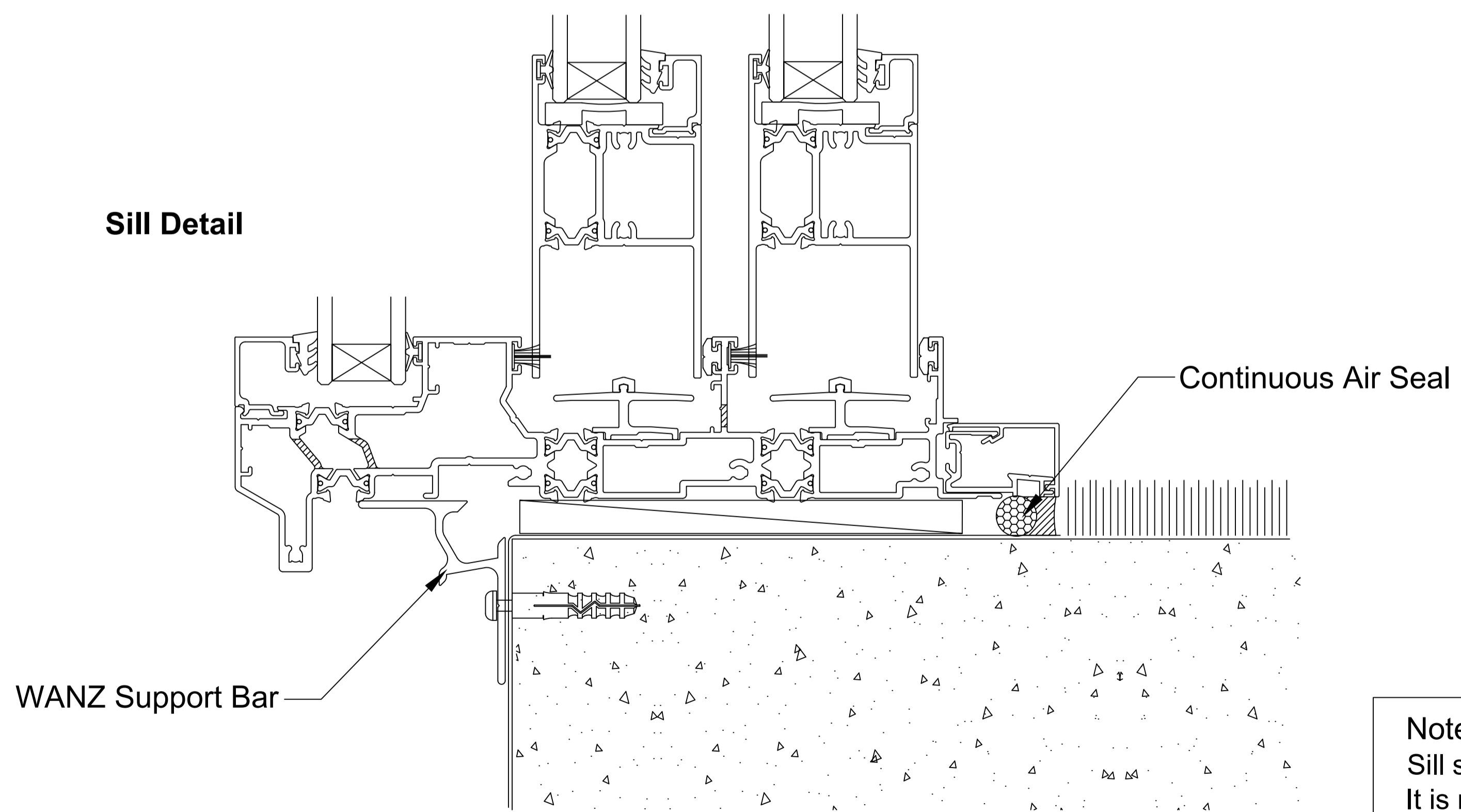
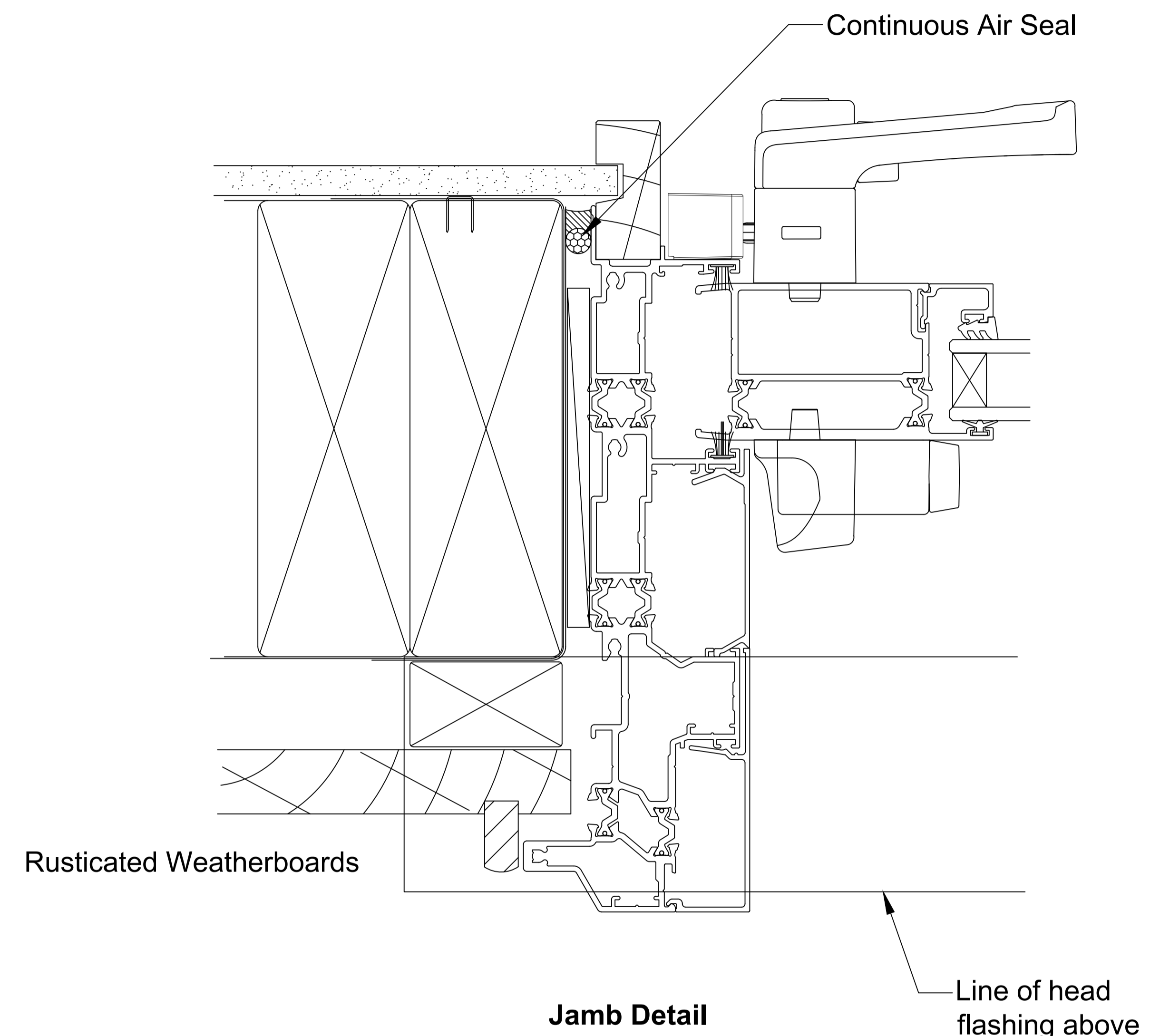
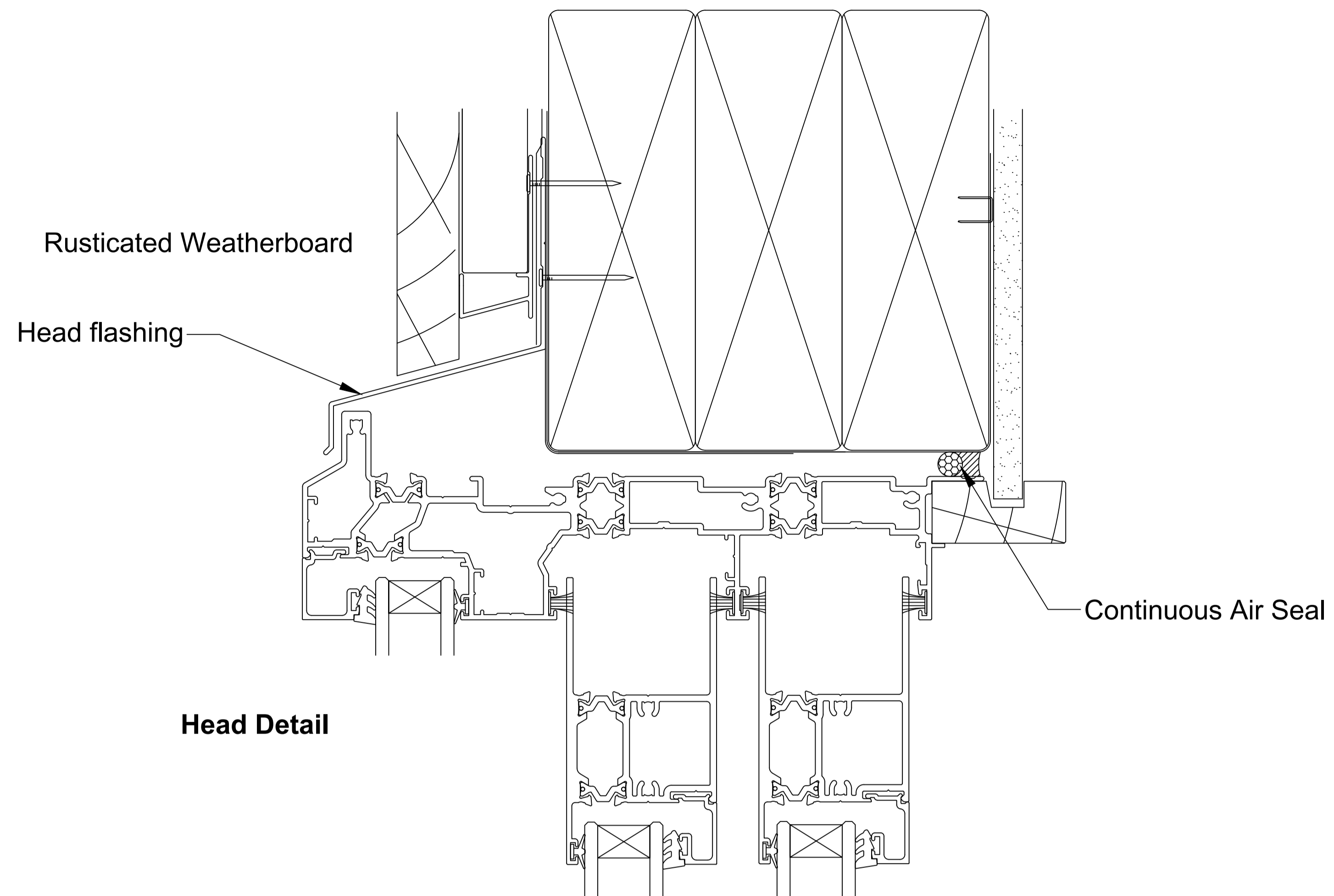
SCALE 1:1 @ A1



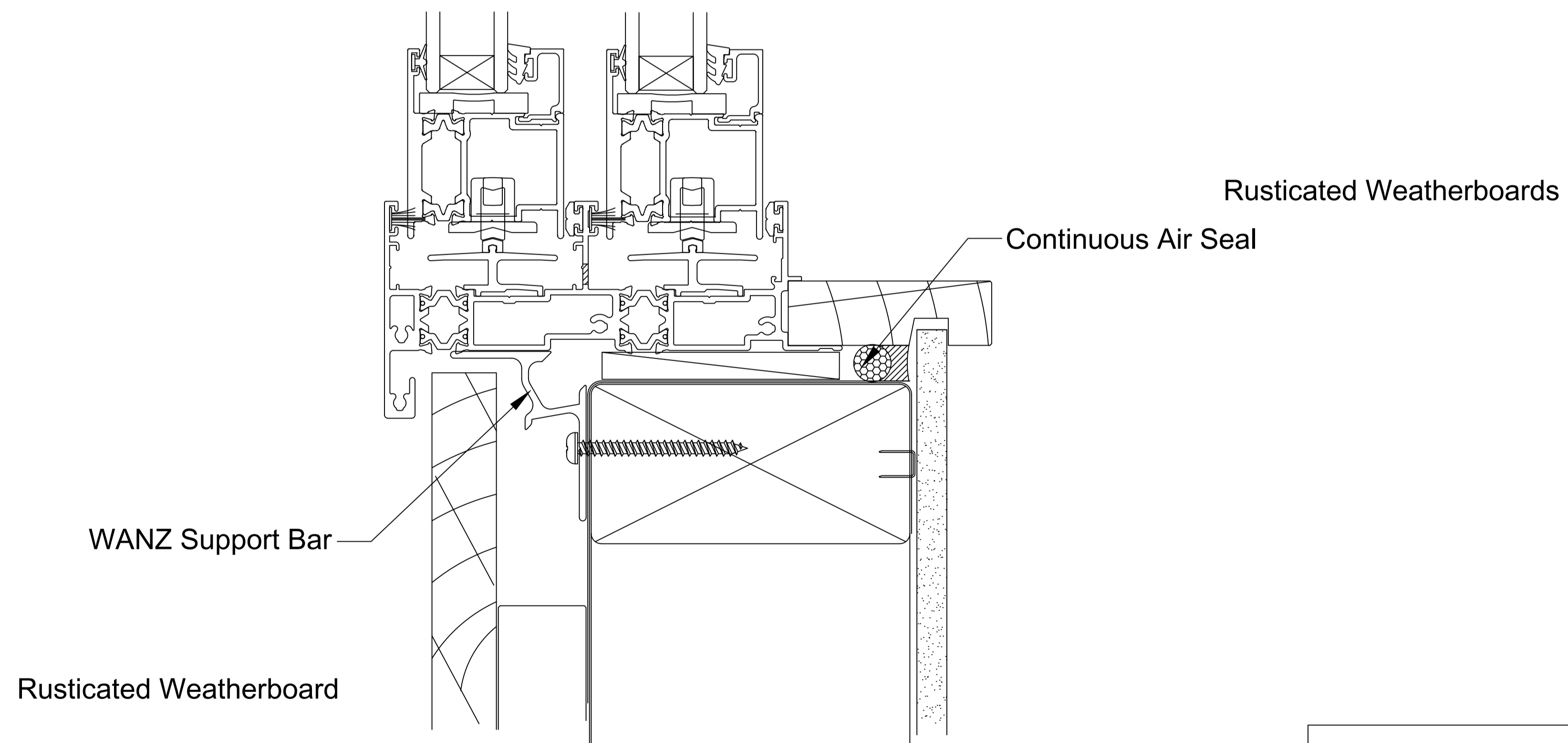
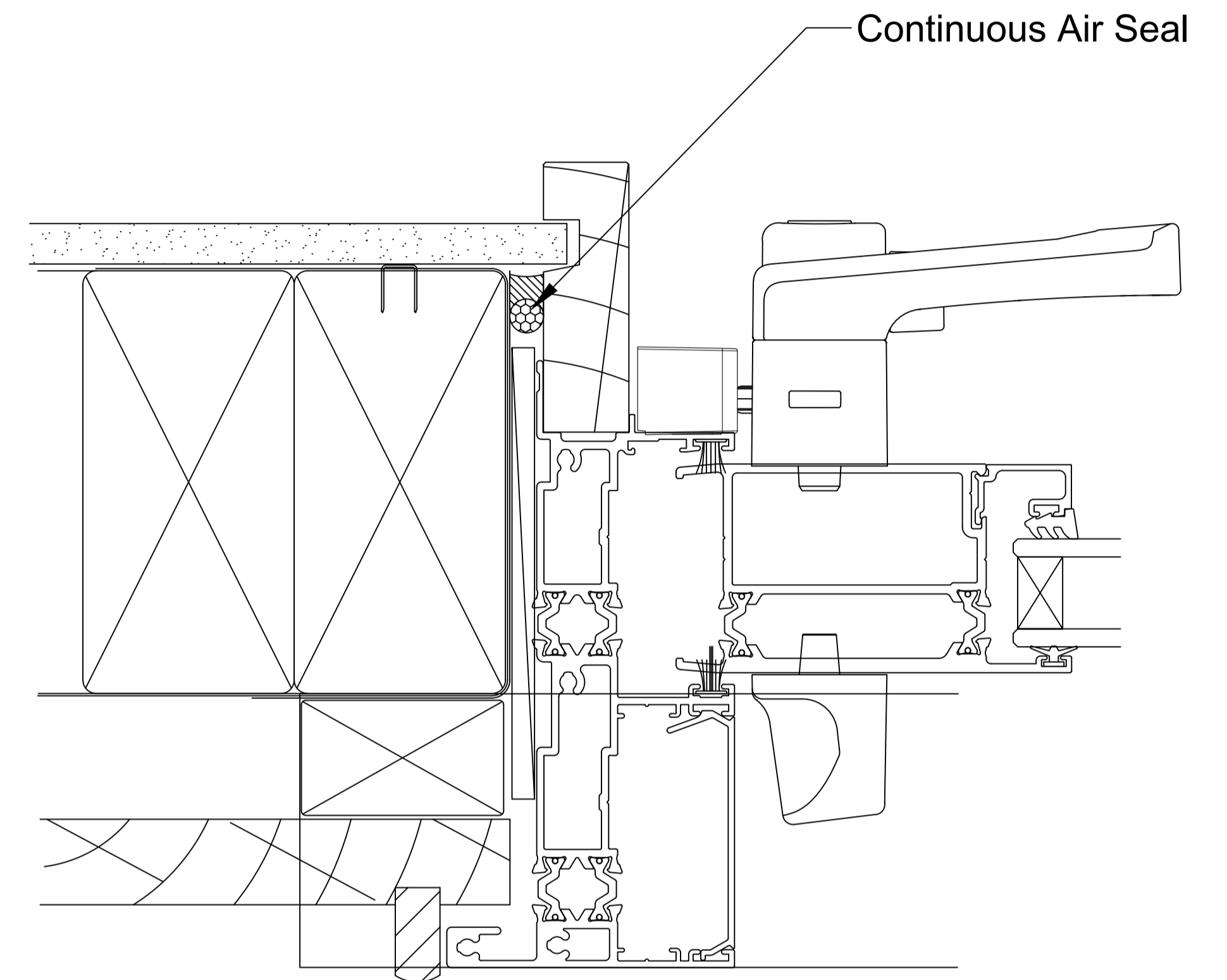
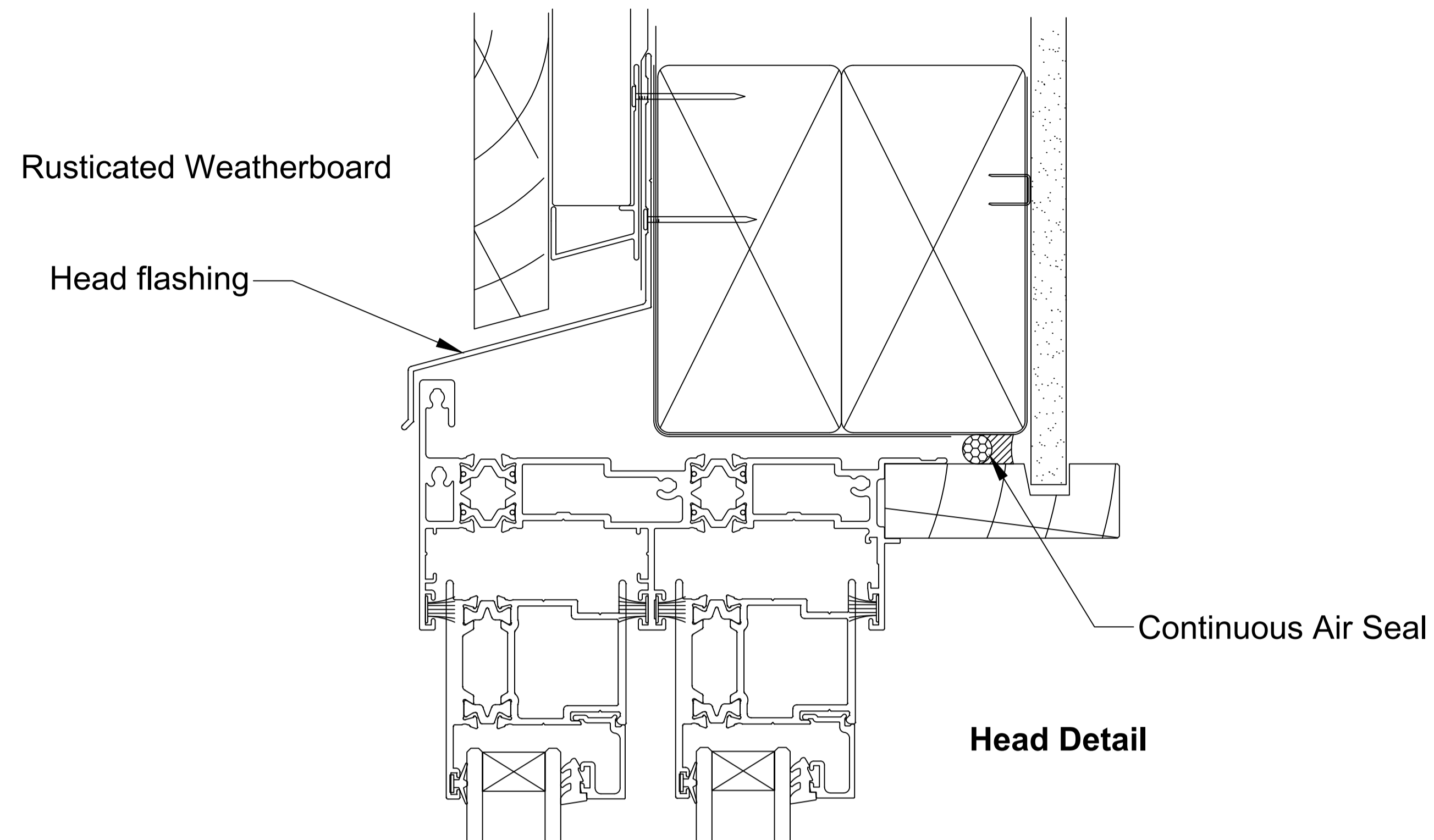
Note:
 Sill support bar may be up to 100mm short of the Trim Opening at either end.
 It is recommended that the bar is installed the full Width of the opening to ensure it picks up the window or door frame support blocks.



Note:
 Sill support bar may be up to 100mm short of the Trim Opening at either end.
 It is recommended that the bar is installed the full Width of the opening to ensure it picks up the window or door frame support blocks.



Note:
 Sill support bar may be up to 100mm short of the Trim Opening at either end.
 It is recommended that the bar is installed the full Width of the opening to ensure it picks up the window or door frame support blocks.



Note:
 Sill support bar may be up to 100mm short of the Trim Opening at either end.
 It is recommended that the bar is installed the full Width of the opening to ensure it picks up the window or door frame support blocks.