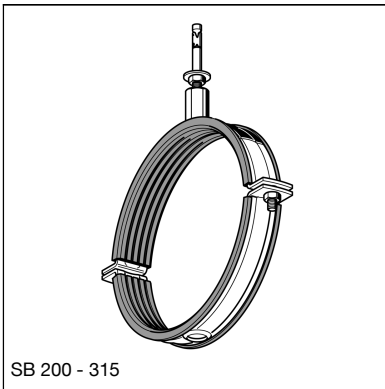


SB 40 - 160



SB 200 - 315

### Standard Fastening BE w/ Lining

#### Application

Soundproof standard fastening for direct fixation to concrete. Satisfies soundproof standards according to DIN 4109.

#### Scope of delivery

Pipe clamp Ratio S 2000 with Drive Plug, Grub Screw, Washer and Hexagon nut M10, suitable for sizes 40 up to 160.

Pipe clamp Stabil D-3G with lining with Bolt Anchor M10 and Round Rod Coupling R 1/2", suitable for sizes 200 up to 315.

Type	W [kg]	Quantity [pack]	Part number
SB 40 BE m.E.	0.16	1	<b>602605</b>
SB 50 BE m.E.	0.17	1	<b>602615</b>
SB 56 BE m.E.	0.17	1	<b>602625</b>
SB 63 BE m.E.	0.19	1	<b>602635</b>
SB 75 BE m.E.	0.20	1	<b>602645</b>
SB 90 BE m.E.	0.29	1	<b>602655</b>
SB 110 BE m.E.	0.41	1	<b>602665</b>
SB 125 BE m.E.	0.43	1	<b>602675</b>
SB 160 BE m.E.	0.53	1	<b>602685</b>
SB 200 BE m.E.	1.44	1	<b>602695</b>
SB 250 BE m.E.	1.68	1	<b>602705</b>
SB 315 BE m.E.	1.98	1	<b>602715</b>