

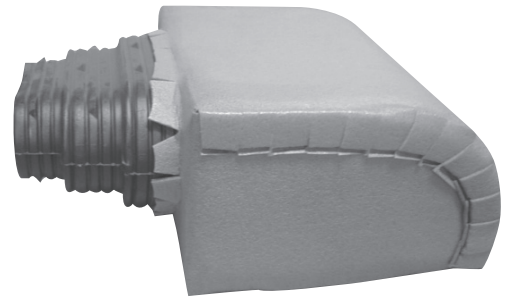
# CUSHION BOXES

## SIDE ENTRY - PLASTIC

	NUDE	INSULATED
Metric Size (mm)	Order Code	Order Code
225 x 225 - 150 Ø	DCT0993	DCT1004
225 x 225 - 200 Ø	DCT0992	DCT1003
300 x 300 - 200 Ø		DCT1006
300 x 300 - 250 Ø	DCT0971	DCT0972
300 x 300 - 300 Ø	DCT0994	
375 x 375 - 300 Ø		DCT0996
450 x 450 - 350 Ø		
450/435 x 450/435 300/250/200 Ø	DCT1356*	DCT1417*
550 x 375 - 350 Ø		DCT2986

- Low profile to suit suspended ceilings or in between floors (double storey).
- Manufactured from HDPE, fits poly and aluminium diffusers.

\* Cut to suit size required.



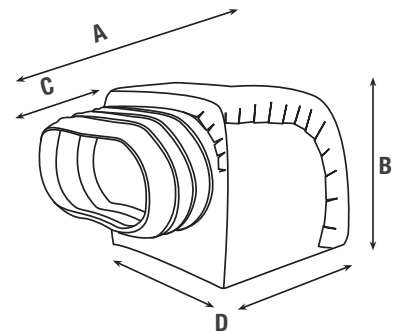
Cushion Box (Plastic) - Side Entry

### DIMENSION INFORMATION (MM)

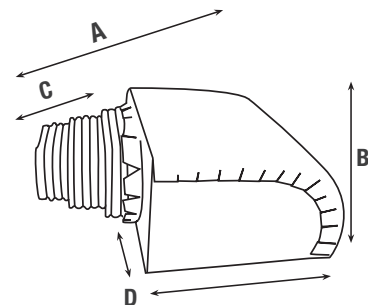
Metric Size	A Length	B Height	C Spigot length	D Neck Size	Spigot Size
225 x 225-150	310	196	90	226	115 x 180
225 x 225-200	310	196	90	226	115 x 226
300 x 300-200	395	200	90	304	110 x 226
300 x 300-250	395	200	90	304	110 x 330

### STEPPED CUSHION BOX

Metric Size	A Length	B Height	C Spigot length	D Neck Size	Spigot Size
450/435 x 450/435					
-200	540	250	90	450	125 x 235
-250	540	250	90	450	145 x 300
-300	540	250	90	450	190 x 350



Dimensions for Nude/Insulated



Dimensions For Stepped Cushion Box